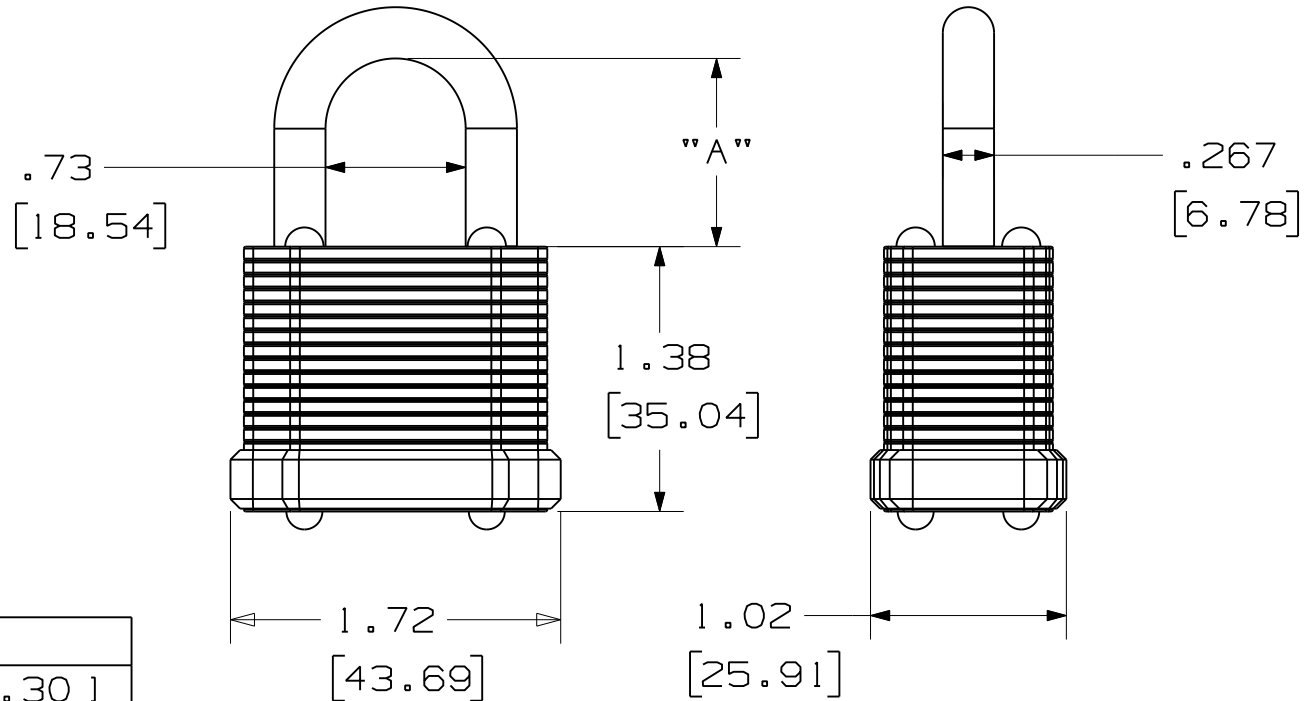


NOTES:

- 1) DIMENSIONS IN [] ARE MILLIMETERS
- 2) LAMINATED STEEL BODY WITH STEEL SHACKLE
- 3) 5-PIN CYLINDER
- 4) AVAILABLE IN
 - *RED (PSL-6)
 - *BLUE (PSL-6BU)
 - *GREEN (PSL-6GR)
 - *BLACK (PSL-6BL)
 - *YELLOW (PSL-6YL)
 - *WHITE (PSL-6WH)
- 5) AVAILABLE WITH CUSTOM KEYING
- 6) SHORT SHACKLE IS STANDARD
ADD "-LS" FOR LONG SHACKLE



	DIM "A"
SHORT SHACKLE	0.76 [19.30]
LONG SHACKLE	2.00 [50.40]

CAD FILENAME/LAYERS 100923DJ_DC_C10793/00A

PANDUIT CORP. TINLEY PARK, ILLINOIS

PSL-6 AND PSL-6-LS
CUSTOMER DRAWING

UNLESS OTHERWISE SPECIFIED,
DIMENSIONAL TOLERANCES ARE:
(.X) ±.150 [3.81] (.XXX) ±.031 [.787]
(.XX) ±.10 [2.54] ANGLES ± 5°

UNLESS OTHERWISE SPECIFIED,
ALL DIMENSIONS ARE GIVEN
IN INCHES, THIRD ANGLE PROJECTION.

DRAWN BY
JHAC
DATE
10-2-09
CHK'D

MAT'L:

STEEL

SCALE 1 : 1

DRAWING NO.
C10793

DWG
A
SIZE

REV	DATE	BY	CHK	DESCRIPTION	ECN	R	CUST	SUP
0	10-2-09	JHAC		DRAWING RELEASE	5437	R		

X-ON Electronics

Largest Supplier of Electrical and Electronic Components

Click to view similar products for [PPE Safety Equipment / Lockout Tagout](#) category:

Click to view products by [Panduit](#) manufacturer:

Other Similar products are found below :

[S-920S](#) [GPSL-7KAMK](#) [GPSL-6LSKA](#) [GPSL-6MK](#) [GPSL-7LSKA](#) [GPSL-7MK](#) [GPSL-8MK](#) [50585](#) [GPSL-8MK-E](#) [740053624](#) [GPSL-12MK](#) [GPSL-8KAMK-P](#) [GPSL-13AKA](#) [GPSL-13BKA](#) [GPSL-16AKA](#) [GPSL-13CKA](#) [GPSL-16BKA](#) [GPSL-13DKA](#) [GPSL-13D-LSKA](#) [GPSL-16CKA](#) [GPSL-16C-LSKA](#) [GPSL-16DKA](#) [GPSL-6ABUKA](#) [GPSL-14ABLKA](#) [GPSL-13EKA](#) [GPSL-6ABU-LSKA](#) [GPSL-6BUKA](#) [GPSL-16EKA](#) [GPSL-14BYLKA](#) [GPSL-14BYL-LSKA](#) [GPSL-6CBUKA](#) [GPSL-6BU-LSKA](#) [GPSL-6ABUMK](#) [GPSL-6CBU-LSKA](#) [GPSL-15ABUKA](#) [GPSL-6BUMK](#) [GPSL-6DBUKA](#) [GPSL-17BBLKA](#) [GPSL-16FKA](#) [GPSL-6CBUMK](#) [GPSL-6BU-LSMK](#) [GPSL-6DBU-LSKA](#) [GPSL-6CBU-LSMK](#) [GPSL-15ABUMK](#) [GPSL-15ABU-LSKA](#) [GPSL-6DBUMK](#) [GPSL-15BBUKA](#) [GPSL-15ABU-LSMK](#) [GPSL-15BBUMK](#)
[PSL-20SA-S](#)