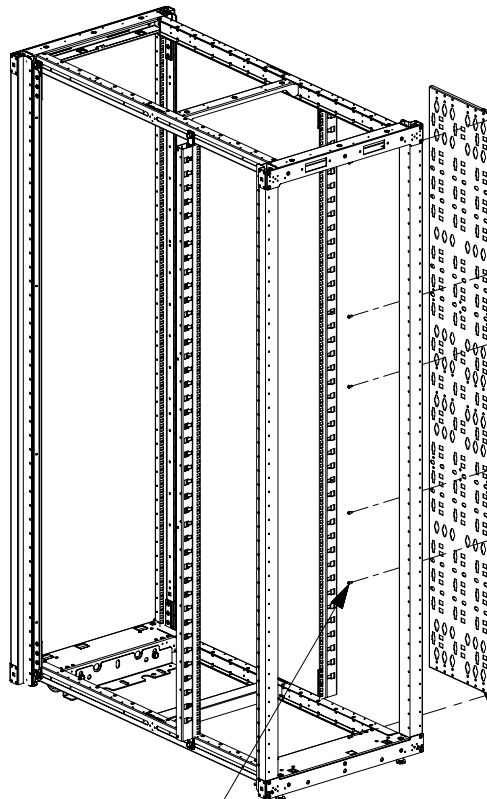
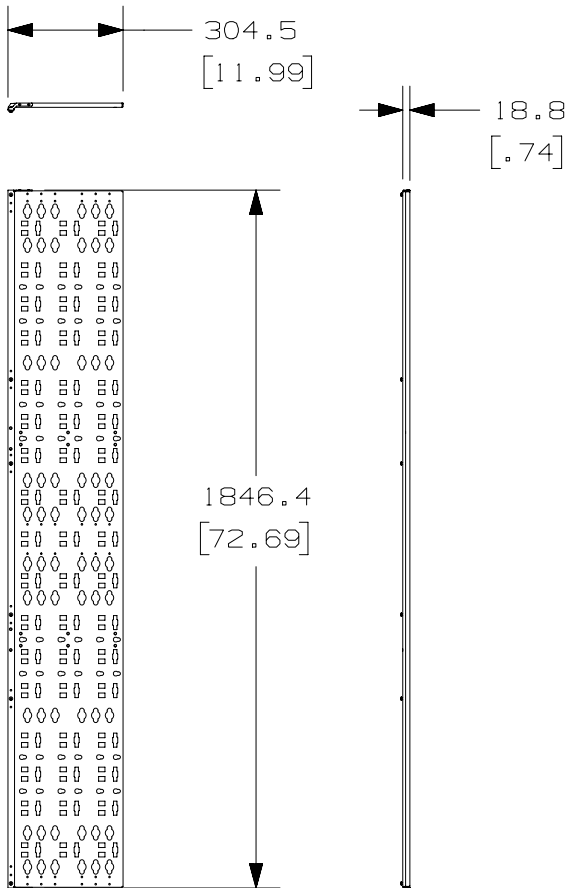


THIS COPY IS PROVIDED ON A RESTRICTED BASIS AND IS NOT TO BE USED IN ANY WAY DETRIMENTAL TO THE INTERESTS OF PANDUIT CORP.



M5 SCREW
6 PLCS

- NOTES:
- VISIT OUR ON-LINE CATALOG AT WWW.PANDUIT.COM FOR A LIST OF CURRENT PARTS APPLICABLE FOR USE WITH THIS PRODUCT.
 - PRIMARY DIMENSIONS ARE IN MILLIMETERS (mm).
 - PARTS SUPPLIED:
 - (1) - 12" CABLE MANAGEMENT BRACKET FL
 - (6) - M5 PAN HEAD SCREWS
 - COMPATIBLE COMPONENTS: (PURCHASED SEPARATELY)
 - S2LR
 - S1LR
 - S2DR
 - S1DR

PANDUIT P/N	WEIGHT
S2BRK12	6.9 Kg/EACH 15.3 LBS/EACH

12" CABLE MANAGEMENT BRACKET

REV	DATE	BY	CHK	APR	DESCRIPTION	ECN
01B	6/15/17	MEX-JAGC	BRAP	BRAP	REVISED NOTES	V09001HQ
01A	12/18/13	MDCA	RCHA	JDWE	HEIGHT OF PART WAS 1896.4 [74.66]	11V231AE-DC
00A	9/26/13	PBS	RCHA	JDWE	RELEASED TO PRODUCTION	11V231AE-DC

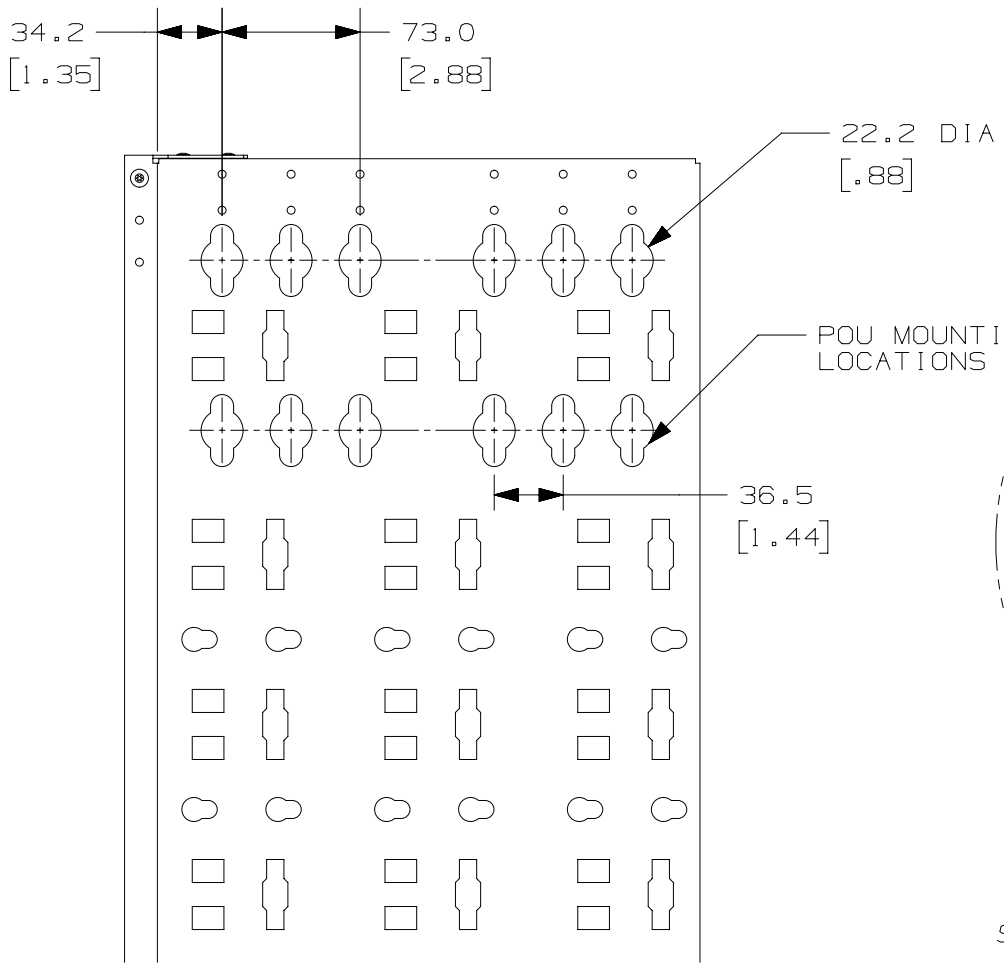
TITLE 12" CABLE MANAGEMENT BRACKET FG (S2BRK12) CUSTOMER DRAWING			
ITEM REVISION NAME 11V231AE/01		PANDUIT	
DATASET FILE NAME 11V231AE_DC/01B			
DRAWN BY PBS		MATERIAL: N/A	
DATE 9/26/13		DRAWING NUMBER: 11V231AE-DC	
CHK RCHA		THIRD ANGLE PROJECTION	
SCALE NONE		SHT 1 OF 3	
		SIZE A	

D10100DA/20

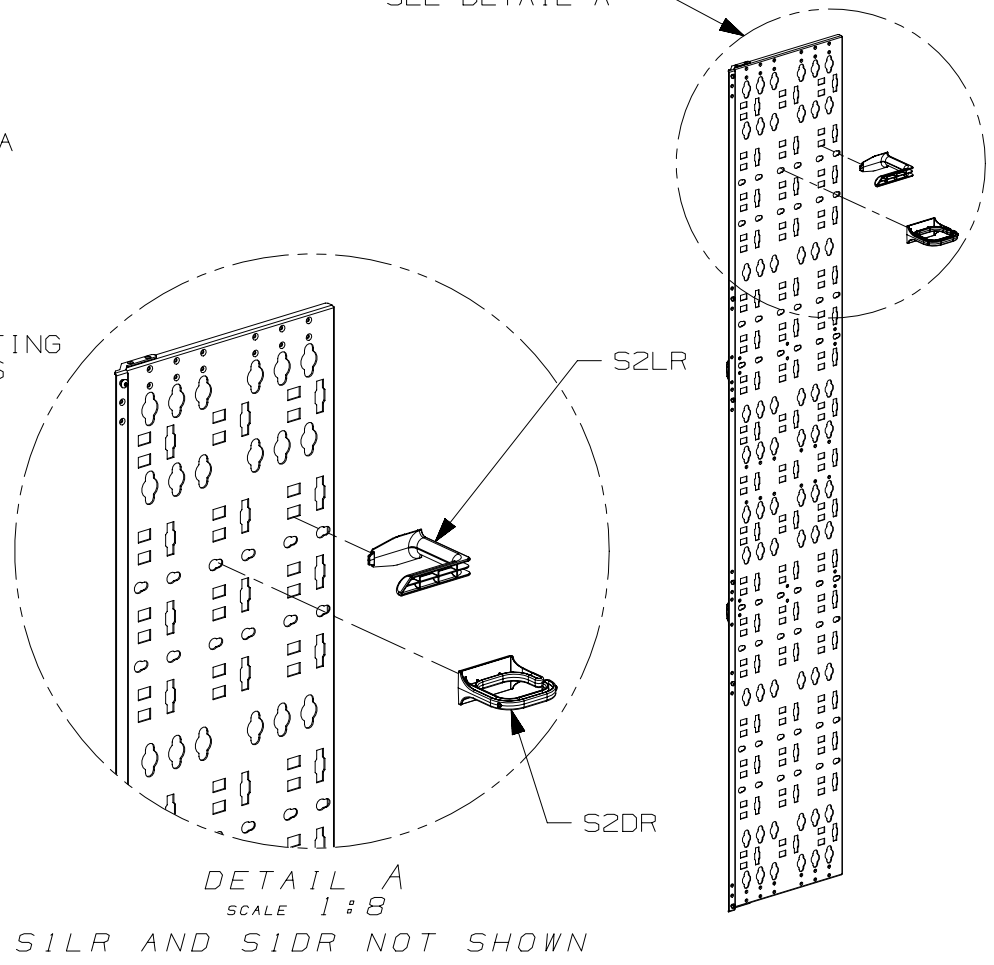
THIS COPY IS PROVIDED ON A RESTRICTED BASIS AND IS NOT TO BE USED IN ANY WAY DETRIMENTAL TO THE INTERESTS OF PANDUIT CORP.

2

1



SEE DETAIL A



B

BA

A

A

01B	6/15/17	MEX-JAGC	BRAP	BRAP	SEE SHEET 1 OF 3 FOR REVISIONS	V09001HQ	
01A	12/18/13	MDCA	RCHA	JDWE	SEE SHEET 1 OF 3 FOR REVISIONS	11V231AE-DC	
00A	9/26/13	PBS	RCHA	JDWE	SEE SHEET 1 OF 3 FOR REVISIONS	11V231AE-DC	
REV	DATE	BY	CHK	APR	DESCRIPTION	ECN	

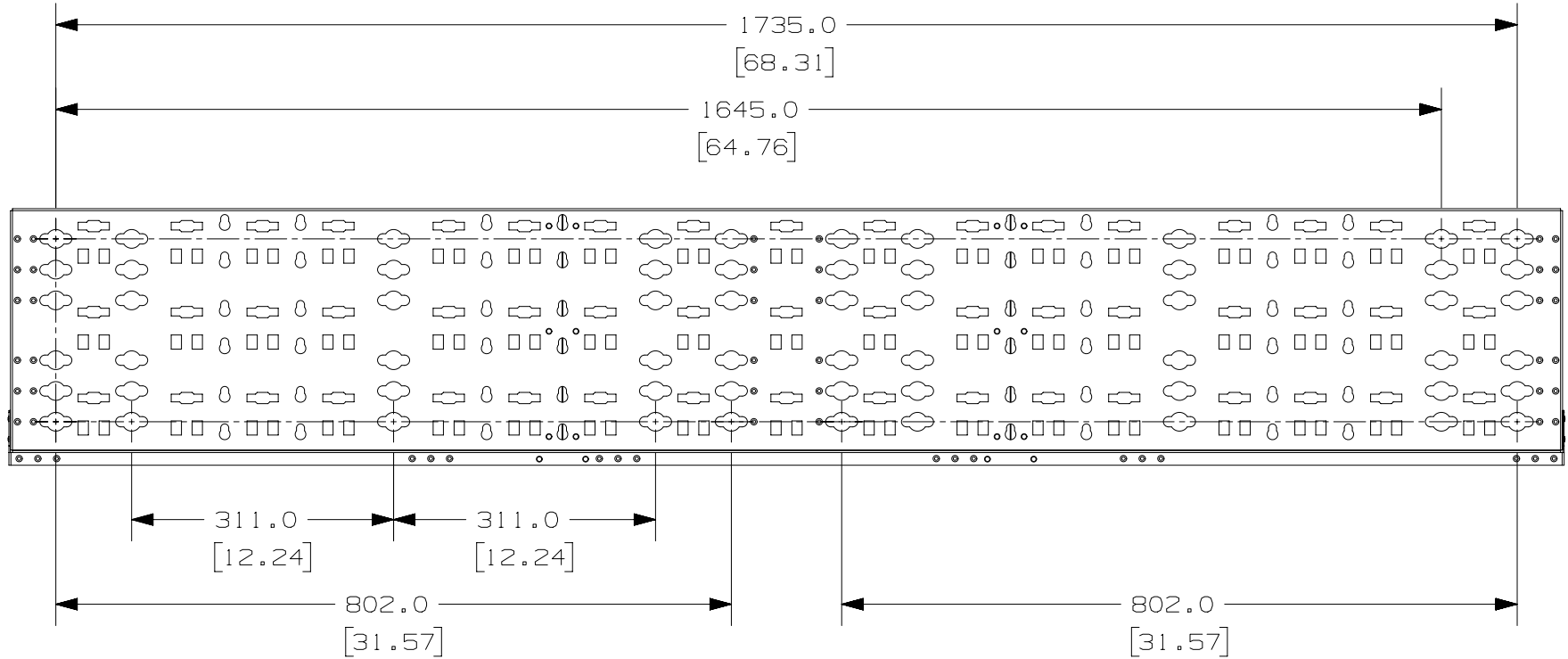
TITLE							12" CABLE MANAGEMENT BRACKET FG (S2BRK12)	
							CUSTOMER DRAWING	
ITEM REVISION NAME							11V231AE/01	
DATASET FILE NAME							11V231AE_DC/01B	
							MATERIAL:	
							N/A	
							DRAWING NUMBER:	
							11V231AE-DC	
					THIRD ANGLE PROJECTION			
DRAWN BY	DATE	CHK	SCALE					SIZE
PBS	9/26/13	RCHA	NONE	SHT 2 OF 3				A

D10100DA/20

2

1

THIS COPY IS PROVIDED ON A RESTRICTED BASIS AND IS NOT TO BE USED IN ANY WAY DETRIMENTAL TO THE INTERESTS OF PANDUIT CORP.



REV	DATE	BY	CHK	APR	DESCRIPTION	ECN
01B	6/15/17	MEX-JAGC	BRAP	BRAP	SEE SHEET 1 OF 3 FOR REVISIONS	V09001HQ
01A	12/18/13	MDCA	RCHA	JDWE	SEE SHEET 1 OF 3 FOR REVISIONS	11V231AE-DC
00A	9/26/13	PBS	RCHA	JDWE	SEE SHEET 1 OF 3 FOR REVISIONS	11V231AE-DC

TITLE 12" CABLE MANAGEMENT BRACKET FG (S2BRK12)					
CUSTOMER DRAWING					
ITEM REVISION NAME 11V231AE/01			PANDUIT		
DATASET FILE NAME 11V231AE_DC/01B					
MATERIAL: N/A			DRAWING NUMBER: 11V231AE-DC		
DRAWN BY PBS		DATE 9/26/13	CHK RCHA	SCALE NONE	SHT 3 OF 3
THIRD ANGLE PROJECTION		SIZE A			

D10100DA/20

X-ON Electronics

Largest Supplier of Electrical and Electronic Components

Click to view similar products for [Racks & Rack Cabinet Accessories](#) category:

Click to view products by [Panduit](#) manufacturer:

Other Similar products are found below :

[CR-1727](#) [M00-PLN](#) [F2420](#) [F2424](#) [8310-1032-SS](#) [9104](#) [PLFF2000](#) [PLFF6000](#) [GP216](#) [PTFA60000LG](#) [H-9163-B](#) [AC220-84-1](#) [HEH050BA](#)
[1427C3](#) [BAS-5104](#) [N-700-2](#) [190-002](#) [HTL10](#) [HTS10](#) [PC-118](#) [PC-780L](#) [PC-79](#) [PC-800](#) [SC4-28](#) [F3024](#) [AKWAMT](#) [PLFF1000](#) [GRPB12PG](#)
[CG3-340S/12](#) [2CWDP36](#) [2CWDP48](#) [2SSHINGE](#) [CP-001BK](#) [CPL19431LG1](#) [R570-004-107](#) [M6123-4007-SS](#) [TS170](#) [531300535](#) [BRX-](#)
[12290](#) [C4BD3077SBK1](#) [UPS 7-17-14 PLAIN](#) [LP40](#) [5261304-07](#) [CCA26-44-01](#) [706-102](#) [CG3-160G](#) [7112C-PLN ALUM](#) [CM10](#) [TS81](#) [7142](#)