



Quality Products. Service Excellence.

Type 4, 4X Mild Steel and Stainless Steel Turret Units *Series 2000*

Modular Console System



Application

- Ideal as a housing for video screens.
- Flexible design provides panel mount or rack mount capabilities for a variety of applications.
- Generally used in combination with other modular console components (ie. base, pedestal, and/or desk).
- Available in either Standard (supported by Base, Pedestal, or Standard Desk) or Deep (supported by Deep Desk only) format.
- Smooth lines and clean edges provide an attractive, contemporary appearance.

Standards

- UL 508A Type 3R, 4,12
- CSA Type 3R, 4, 12, 13
- EIA RS-310-D
- Complies with
 - NEMA Type 3R, 4, 12
 - IEC 60529, IP66

Construction

- UL 508 Type 3R, 4, 4X, 12
- CSA Type 3R, 4, 4X, 12
- EIA RS-310-D
- Complies with
 - NEMA Type 3R, 4, 4X, 12
 - IEC 60529, IP66

Finish

- Formed 14 gauge steel bodies with 14 gauge steel doors. Also offered with formed 14 gauge 304 stainless steel bodies with 14 gauge 304 stainless steel doors.
- Smooth, continuously welded seams without knockouts or holes.
- Body stiffeners are provided where required for increased strength and rigidity.
- Offered in 4 widths 24", 36", 48" and 60".
- Features solid sides and top, solid door on front (opens down) and back (opens up), and open bottom.
- Front door features sliding rod mechanism, which allows a 102° opening when in the lowered position.
- Rear door features manual, 3 position adjustable door stop which provides convenient support while door in open position.
- Formed lip on enclosure excludes flowing liquids and contaminants.
- Slotted quarter turn oil-tight latches secure the door, with optional tamper resistant and locking latches available.
- Stainless steel models utilize stainless steel hardware.
- Oil resistant gaskets are permanently secured.



- Features several internal stud locations for mounting of various accessories.
- A bonding screw is provided on the door and a grounding stud is provided in the enclosure.

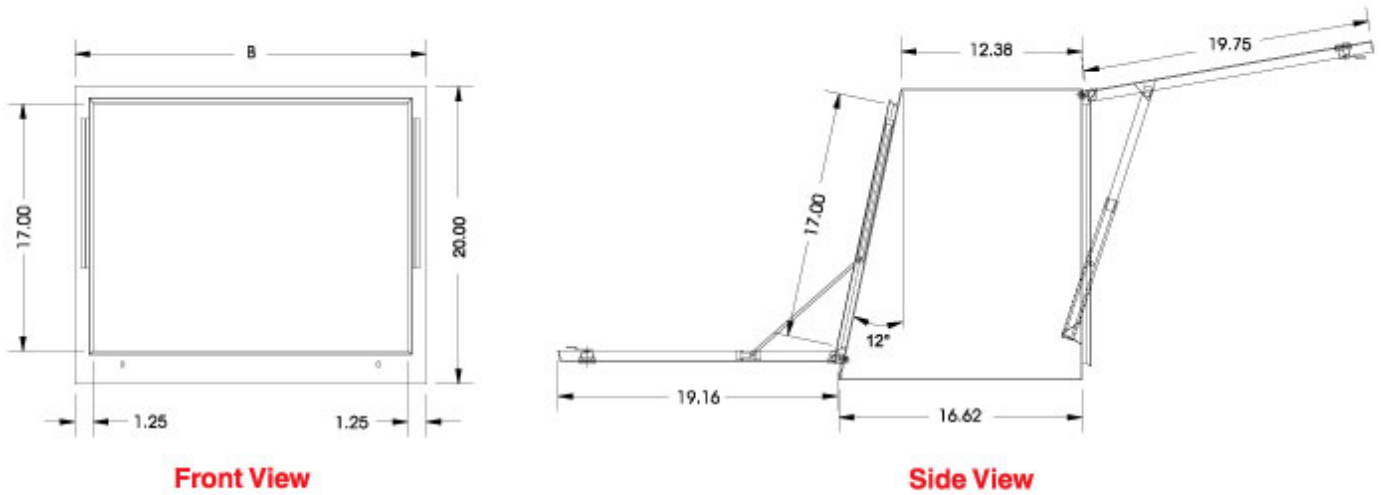
Accessories

- Available in RAL 7035 light gray textured powder coating and natural stainless steel with a smooth, brushed finish.
- 24" Front Window Door available in same finishes.

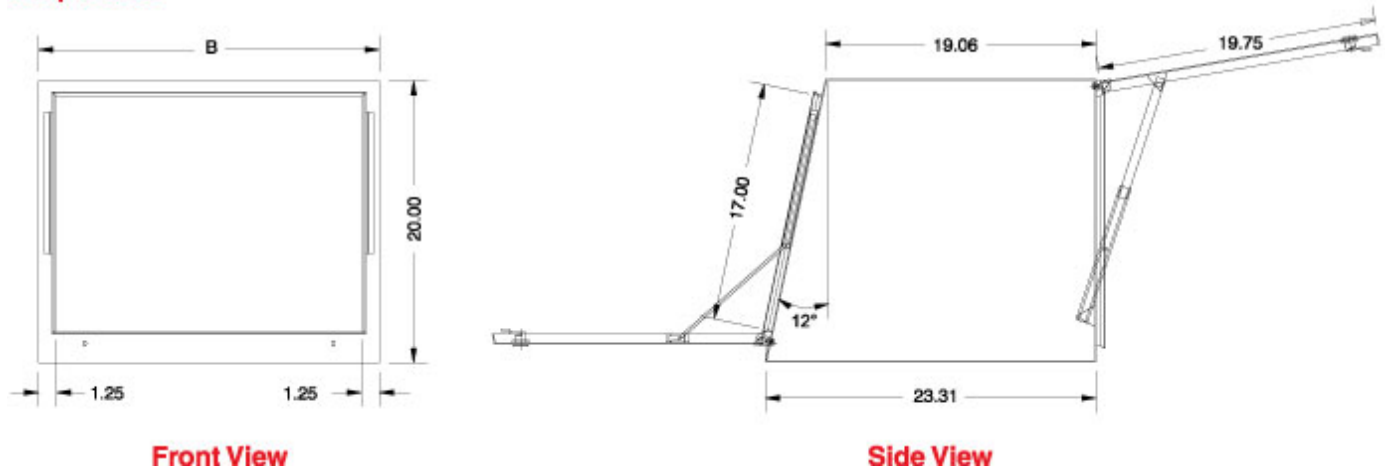
Accessories

- S2000 Internal Components
- S2000 External Components
- Quarter Turn Inserts and Keys
- Climate Control
- General Accessories
- S2000 Rack Components
- Quarter Turn Assemblies
- Padlock Adaptor
- Lighting

Standard Turret



Deep Turret



Standard Turret

RAL 7035 Light Gray	Stainless Steel	
Part No.	Part No.	B

Deep Turret

RAL 7035 Light Gray	Stainless Steel	
Part No.	Part No.	B

RAL 7035 Light Gray		Stainless Steel	
Part No.	Part No.	B	
2CLT202436	2CST202436	24.00	
2CLT203636	2CST203636	36.00	
2CLT204836	2CST204836	48.00	
2CLT206036	2CST206036	60.00	

RAL 7035 Light Gray		Stainless Steel	
Part No.	Part No.	B	
2CLT202443	2CST202443	24.00	
2CLT203643	2CST203643	36.00	
2CLT204843	2CST204843	48.00	
2CLT206043	2CST206043	60.00	

Data subject to change without notice

© 2018. Hammond Manufacturing Ltd. All rights reserved.

X-ON Electronics

Largest Supplier of Electrical and Electronic Components

Click to view similar products for [Racks & Rack Cabinets](#) category:

Click to view products by [Hammond](#) manufacturer:

Other Similar products are found below :

[1440-0131-78](#) [1440-0132-78](#) [1440-0133-36](#) [AX103928](#) [5231308-07](#) [C2FSKKBK1](#) [UPS 525-17-9 PLAIN](#) [UPS 350-17-12 PLAIN](#) [UNC-3-7-5-PLAIN](#) [UNC-23/4-6-6-PLAIN](#) [SN8VCMW](#) [R4PCNWH](#) [R4PWH](#) [R4P36CNWH](#) [R4P36WH](#) [NAKIT2.0G5-B](#) [RACK-2.18](#) [RACK-3.18](#) [SR14UBDP](#) [SR42UBDP48](#) [SR48UBDP48](#) [1440-0131-84](#) [UPS350 12-14 SEMI-GLOSS BLK](#) [UPH 350-12-14-BT](#) [UPR 525-17-14](#) [BLU/WHT](#) [RM1908BKVP](#) [RM2U19BKFP](#) [DN-WD19 12U/600](#) [1564A2BK1](#) [895-39949](#) [5231304-07](#) [18P3317](#) [18P4545](#) [HCT302411H](#) [HCT362011H](#) [HCT363011H](#) [HCT363611H](#) [HCT482411H](#) [HCT483011H](#) [HCT483611H](#) [HCT484814H](#) [1UHD722918N4SS](#) [RM3U19BKFP](#) [RM2U1918SBK](#) [2CLD83643](#) [2CLD84843](#) [2CLT204843](#) [RB-2PA1945NF](#) [RB-2PA1945BK](#) [RB-2PA2345NF](#)