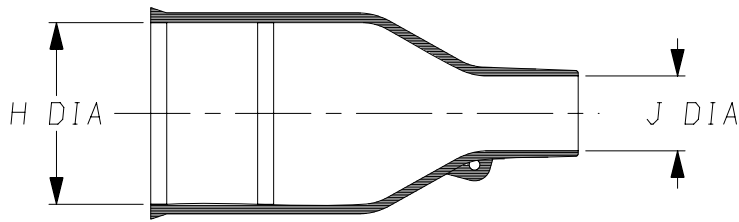
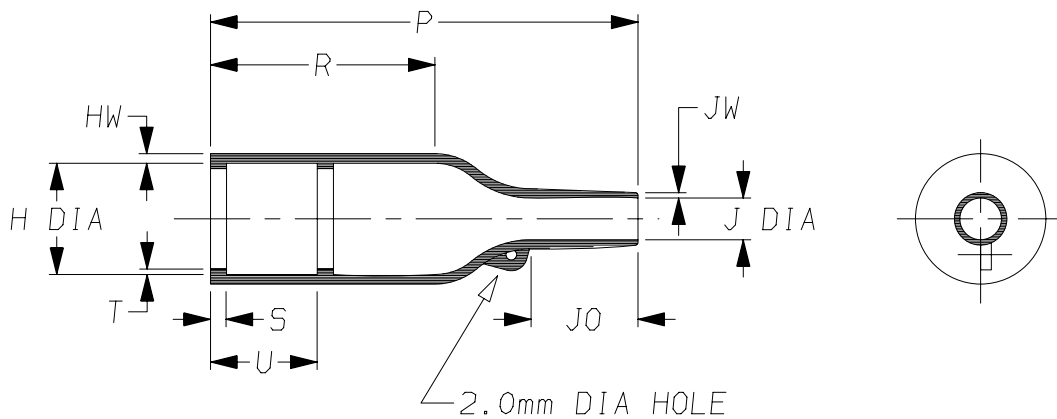


a) Part as supplied.

202K1**-100-01



b) Part after unrestricted recovery.



DIMENSIONS in millimetres
(in inches, for reference)

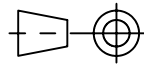
| Part No. | H | | J | | P | R | S | T | U | JO | HW | JW |
|----------------|--------------|----------------|--------------|----------------|---------------|--------------|---------------|---------------|--------------|----------------|---------------|---------------|
| | Min a | Max b | Min a | Max b | ±10% b | ±10% b | ±10% b | ±10% b | ±10% b | ±10% b | ±20% b | ±20% b |
| 202K121-100-01 | 24 (0.94) | 10.4 (0.41) | 14 (0.55) | 5.6 (0.22) | 26 (1.02) | 9 (0.35) | 3.0 (0.12) | 1.0 (0.04) | ① | 8.5 (0.33) | 1.6 (0.06) | 0.5 (0.02) |
| 202K132-100-01 | 30 (1.18) | 14.2 (0.56) | 15 (0.59) | 5.9 (0.23) | 43 (1.69) | 20 (0.79) | 3.0 (0.12) | 1.0 (0.04) | ① | 11.5 (0.45) | 1.8 (0.07) | 1.0 (0.04) |
| 202K142-100-01 | 31 (1.22) | 18.0 (0.71) | 18 (0.71) | 7.1 (0.28) | 47 (1.85) | 15 (0.59) | 3.0 (0.12) | 1.0 (0.04) | ① | 17.0 (0.67) | 1.8 (0.07) | 1.0 (0.04) |
| 202K153-100-01 | 36 (1.42) | 22.4 (0.88) | 21 (0.83) | 8.4 (0.33) | 60 (2.36) | 22 (0.87) | 3.0 (0.12) | 1.0 (0.04) | ① | 19.5 (0.77) | 2.0 (0.08) | 1.0 (0.04) |
| 202K163-100-01 | 43 (1.69) | 28.2 (1.11) | 25 (0.98) | 9.9 (0.39) | 79 (3.11) | 41 (1.61) | 3.0 (0.12) | 1.7 (0.07) | 20 (0.79) | 21.0 (0.83) | 2.2 (0.09) | 1.0 (0.04) |
| 202K174-100-01 | 52 (2.05) | 35.1 (1.38) | 39 (1.54) | 15.7 (0.62) | 110 (4.33) | 52 (2.05) | 3.0 (0.12) | 1.7 (0.07) | 20 (0.79) | 39.0 (1.54) | 3.2 (0.13) | 1.5 (0.06) |
| 202K185-100-01 | 66 (2.60) | 44.5 (1.75) | 42 (1.65) | 16.8 (0.66) | 150 (5.91) | 70 (2.76) | 3.0 (0.12) | 2.0 (0.08) | 20 (0.79) | 51.5 (2.03) | 3.8 (0.15) | 2.0 (0.08) |

This is a trimmed variant
Modified dimensions are shown thus: - #

Copyright (!)

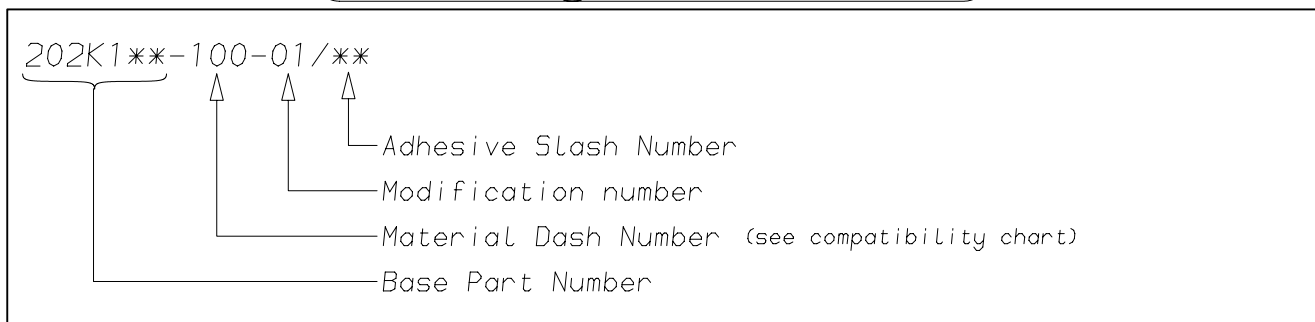
The copyright in this drawing is the property of Tyco Electronics UK Ltd. The drawing is issued on the condition that it is not copied, reproduced or disclosed to a third party, either in whole or in part without the prior written consent of Tyco Electronics UK Ltd.

Drawn A.LILLEY. Checked Issue 3 Date April 2007 Conforms to ISO Recommendations
Approval Design MKTG. Q.A. 3rd Angle Projection Not to Scale



| | | | |
|----------------|----------------|--|--|
| Raychem | | Specification Control Drawing | Part Number 202K1**-100-01 Issue 3 |
| Iss. | Date | E.C.R. No. | Details of Change |
| 2 | September 2001 | CR01-HM-0018 | "R" dimension changed |
| 3 | April 2007 | CR07-HM-010 | Document title was 202K121 thru 185-100-01 |

(Ordering Information)



(COMPATIBILITY CHART)

| Material Dash Number | Material Description | SPEC Number | Coating Slash Number |
|----------------------|----------------------|------------------|----------------------|
| -100 | Zero Halogen | RT-1323, RK-6717 | /86, /180 |
| | | | |
| | | | |
| | | | |
| | | | |
| | | | |

NOTES

- ① Dimension U does not apply on sizes 202K121 thru 153
- ② If eyelet clip (000W212) is required with part then add CS-1858 to description (i.e. 202K132-100-01-CS-1858-0).
- ③ As supplied dimensions are for uncoated parts, when coating is added entry diameters will reduce by 1.5mm Max.

| | |
|--|---|
| Tyco Electronics UK Ltd. Faraday Road, Swindon, Wiltshire, SN3 5HH England Telephone: (01793) 528171 Fax: 572516 | Tyco Electronics Corporation 300, Constitution Drive, Menlo Park, CA 94025 USA Telephone (650) 361-3860 Fax: (650) 361-5579 |
| Cage Code K1010 | Cage Code 06090 |

X-ON Electronics

Largest Supplier of Electrical and Electronic Components

Click to view similar products for [Cable Boots](#) category:

Click to view products by [TE Connectivity](#) manufacturer:

Other Similar products are found below :

[618235-000](#) [622A014-3-0](#) [CX4132-000](#) [879103-4](#) [879515-000](#) [889092](#) [982033-2](#) [R280576000](#) [1300830729](#) [MTPSRBCL-C](#) [1811481-1](#)
[200W531-3-0](#) [202A121-386-0](#) [202A142-4-00/42-0](#) [202A163-4-0-CS5067](#) [202B221-13-0](#) [202B231-13-0](#) [202B563-25-07-0](#)
[202C621710CS5361](#) [202D132-4-07/42-0](#) [202D221-4-0-CS5349](#) [202D221-4-26-0](#) [202D263-25-08-0](#) [202D263-4-22/42-0](#) [202D263-4-88-0](#)
[202D921-2542-0](#) [202E336-71-0](#) [202F211-50-22-0-CS8474](#) [202F242-50-05-0](#) [202F242-51-04/164-0](#) [202K121-25-CS-1858-0](#) [202K121-25-](#)
[CS-2062-0](#) [202K132-25-01/225-0CS8387](#) [202K153-3-0186-0](#) [202S132-25-UP-0](#) [203W301-3/42-0](#) [207W613-100/184-0-CS5657](#) [207W623-](#)
[100-01/184-0](#) [207W634-100/184-0-CS5657](#) [207W656-100-01/184-0](#) [207W667-100-01/184-0](#) [207W667-100/184-0](#) [208A011-3-0](#) [208A021-3-](#)
[0](#) [221A011-51164-0-CS7133](#) [222A121-2586](#) [222A152-342-0](#) [222A213-25-0-CS5613](#) [222D221-25-13/86-0](#) [222D232-4-61-0-CS5078](#)