

REVISIONS				
P.	LTN	DESCRIPTION	DATE	APVD
H		REV PER ECO 17-014072	9-27-17	CT MC

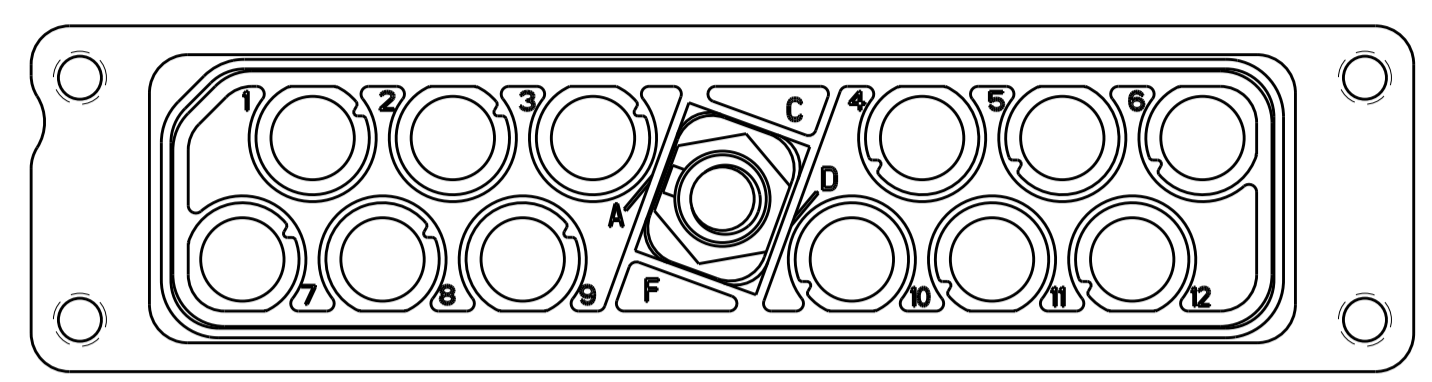


FIGURE 1  
1604799-9 SHOWN  
KEYED IN "A" POSITION

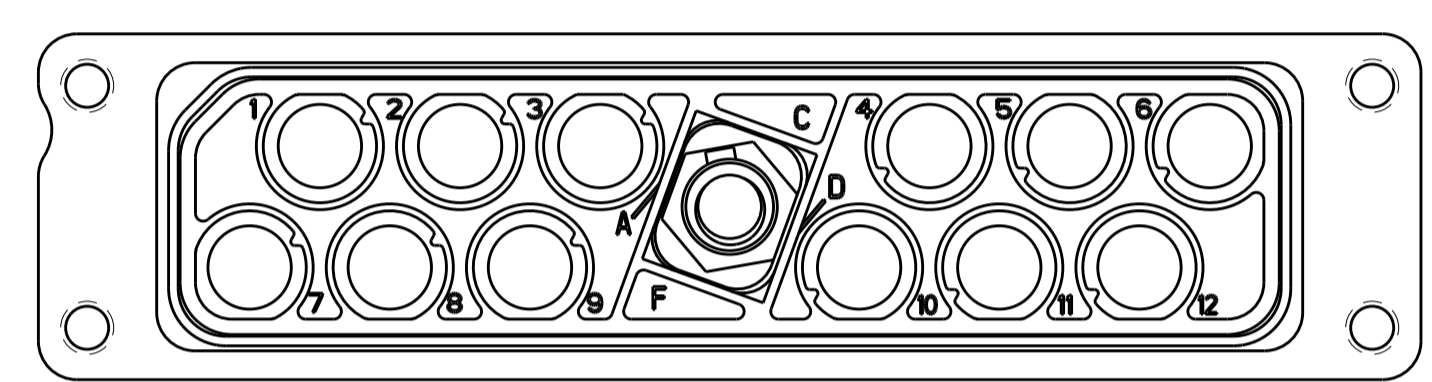


FIGURE 2  
1-1604799-0 SHOWN  
KEYED IN "B" POSITION

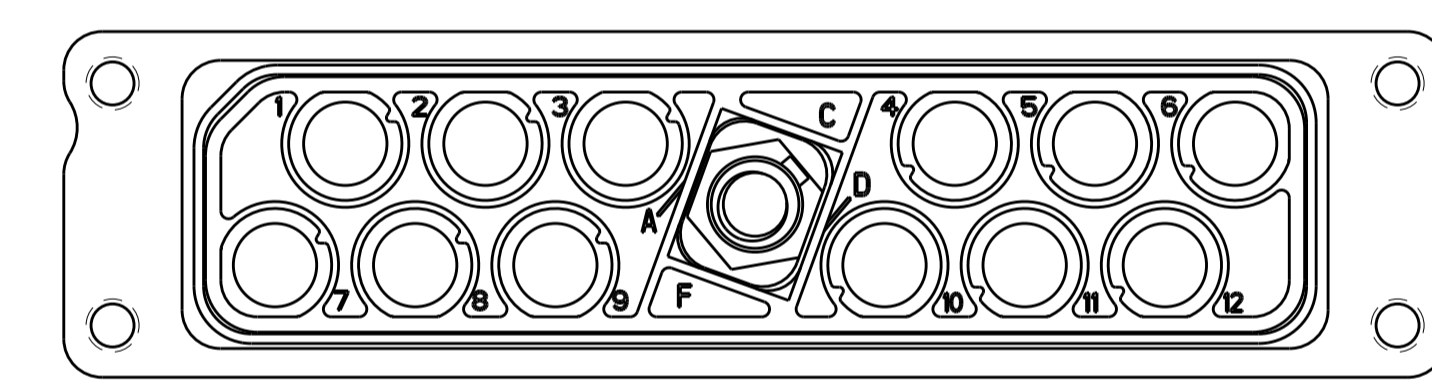


FIGURE 3  
1-1604799-1 SHOWN  
KEYED IN "C" POSITION

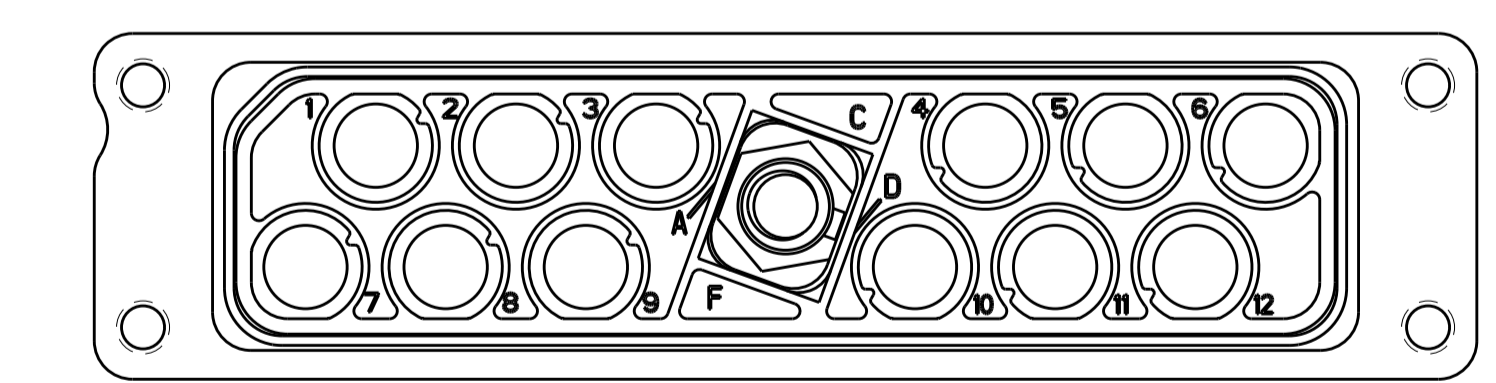


FIGURE 4  
1-1604799-2 SHOWN  
KEYED IN "D" POSITION

- ⚠ TE LOGO, DATE CODE AND TE OR CUSTOMER PART NUMBER (SEE TABLE) MARKED APPROX AS SHOWN ON EITHER SIDE.
- ⚠ JACKPOST KIT IS SHIPPED UNASSEMBLED. KIT IS PACKAGED IN A SEALED BAG.

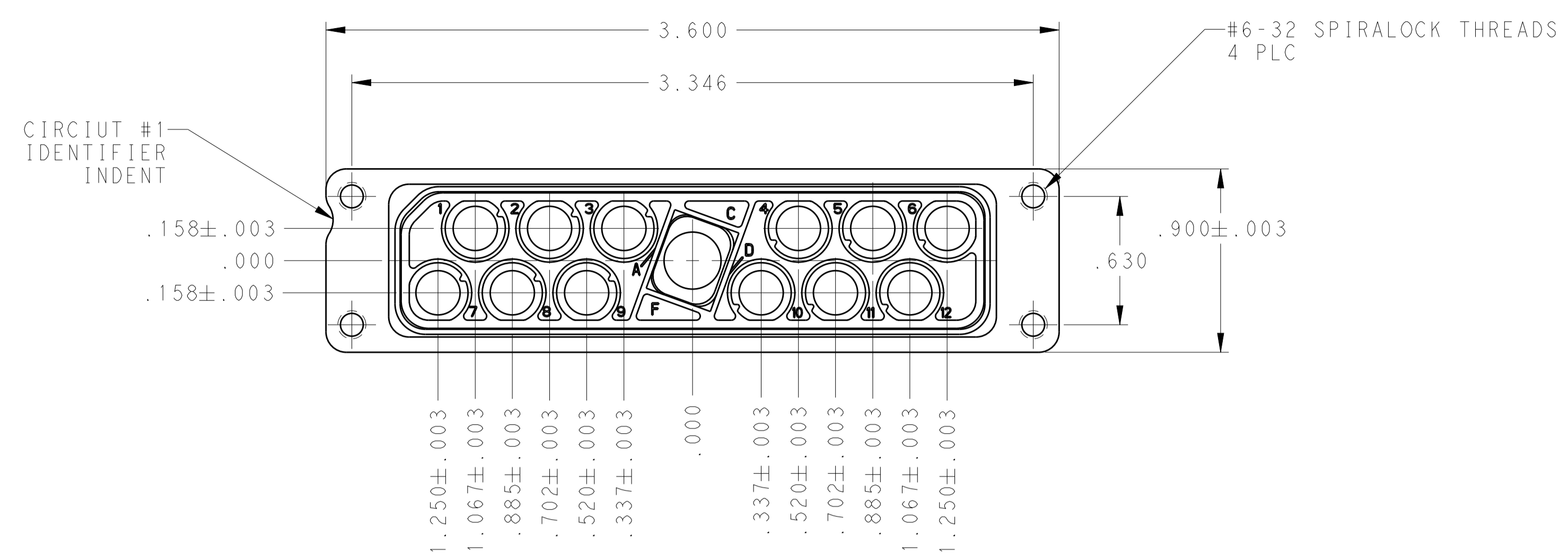
SUPERSEDED BY 1604799-5

**OBSOLETE**

REMARKS	HOUSING FINISH	RECOMMENDED CONTACT WITH WIRE SEAL (NOT INCLUDED)	CUSTOMER PART NUMBER	DESCRIPTION	TE PART NO
SEE FIGURE 4	ELECTROLESS NICKEL		1445692-4	BACC65BD12ND JACKPOST ASSEMBLED POLARIZATION CODE "D"	1-1604799-2
SEE FIGURE 3	ELECTROLESS NICKEL		1445692-4	BACC65BD12NC JACKPOST ASSEMBLED POLARIZATION CODE "C"	1-1604799-1
SEE FIGURE 2	ELECTROLESS NICKEL		1445692-4	BACC65BD12NB JACKPOST ASSEMBLED POLARIZATION CODE "B"	1-1604799-0
SEE FIGURE 1	ELECTROLESS NICKEL		1445692-4	BACC65BD12NA JACKPOST ASSEMBLED POLARIZATION CODE "A"	1604799-9
⚠	ELECTROLESS NICKEL		1445692-4	BACC65BD12N WITH JACKPOST KIT (FLAT POLARIZATION) (NOT INSTALLED)	1604799-8
⚠	ELECTROLESS NICKEL		1445692-3	--- WITH JACKPOST KIT (FLAT POLARIZATION) (NOT INSTALLED)	1604799-7
⚠	ELECTROLESS NICKEL		1445692-3	--- WITH JACKPOST KIT (FLAT POLARIZATION) (NOT INSTALLED)	1604799-5
⚠	BLACK ANODIZED		1445692-4	BACC65BD12A WITH JACKPOST KIT (FLAT POLARIZATION) (NOT INSTALLED)	1604799-4

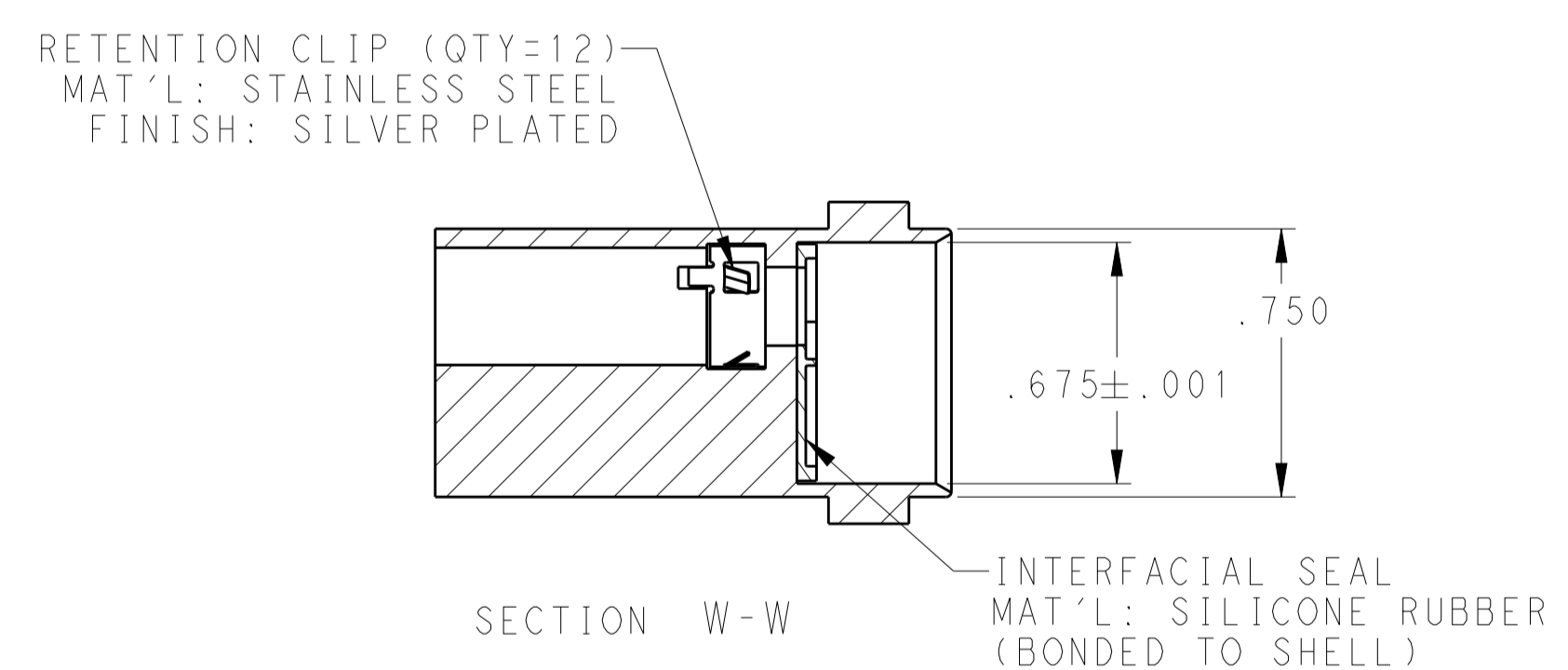
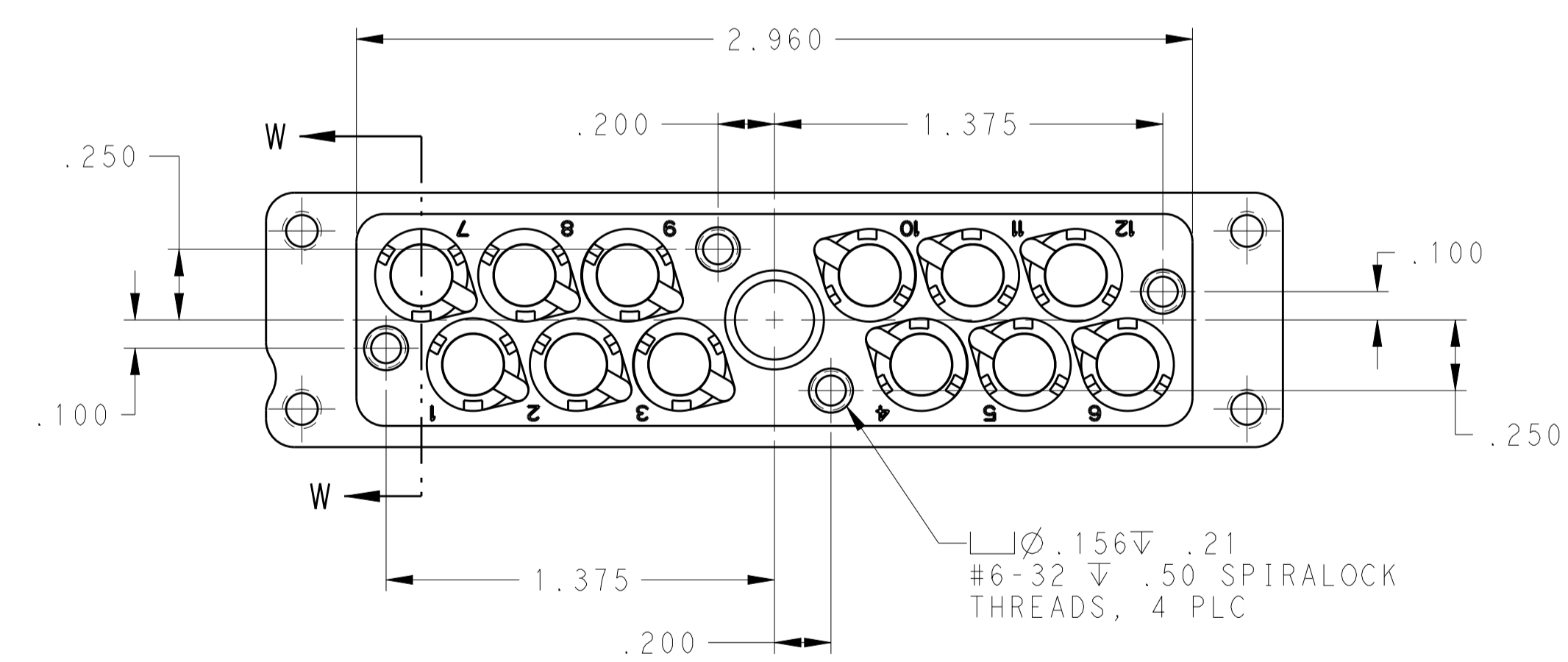
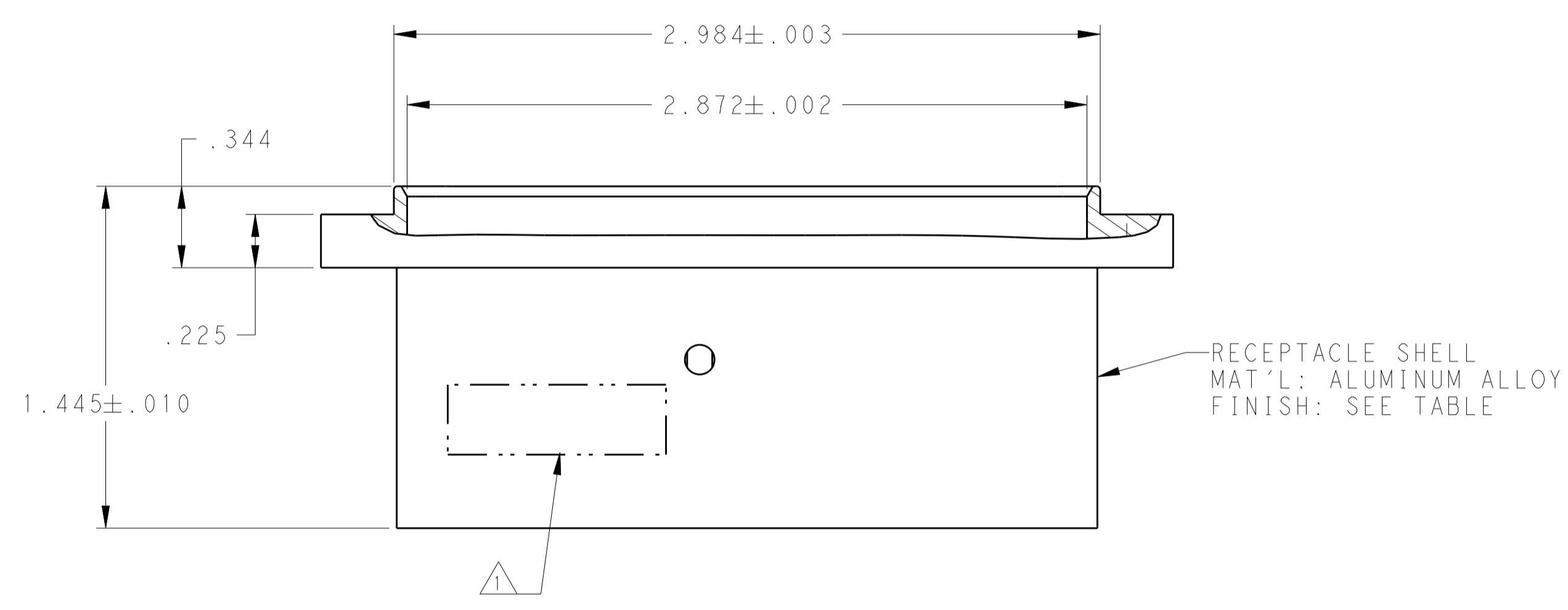
THIS DRAWING IS A CONTROLLED DOCUMENT.		DWN: C.C. THOMAS 29NOV2010	TE Connectivity
DIMENSIONS: INCHES		CHK: D. MILLER 29NOV2010	
TOLERANCES UNLESS OTHERWISE SPECIFIED:		APVD: D. MILLER 29NOV2010	NAME: RECEPTACLE ASSY, QUADRAX, PANEL MOUNT RR/RR, 12 POSITION SIZE: CAGE CODE DRAWING NO: A100779C=1604799 RESTRICTED TO:
0 PLC ±. 1 PLC ±. 2 PLC ±. 3 PLC ±.005 4 PLC ±. ANGLES ±. FINISH SEE CALLOUTS		PRODUCT SPEC: APPLICATION SPEC: WEIGHT: CUSTOMER DRAWING	
MATERIAL: SEE CALLOUTS		SCALE: 2:1 SHEET 1 OF 2 REV H	

REVISIONS				
P.	LTN.	DESCRIPTION	DATE	APVD.
-	-	SEE SHEET #1	-	-



**RCPT  
 1604996-X  
 CONDUCTIVE**

DUST COVER  
 (INSTALLED FOR SHIPPING)



THIS DRAWING IS A CONTROLLED DOCUMENT.		DWN: C.C. THOMAS 29NOV2010	<b>STE</b> TE Connectivity
DIMENSIONS: INCHES		CHK: D. MILLER 29NOV2010	
TOLERANCES UNLESS OTHERWISE SPECIFIED:		APVD: D. MILLER 29NOV2010	NAME: RECEPTACLE ASSY, QUADRAX, PANEL MOUNT RR/RR, 12 POSITION
0 PLC ±	1 PLC ±	PRODUCT SPEC	SIZE: A100779
2 PLC ±	3 PLC ±.005	APPLICATION SPEC	CAGE CODE: 1604799
4 PLC ±	ANGLES ±	WEIGHT	RESTRICTED TO
MATERIAL: SEE CALLOUTS	FINISH: SEE CALLOUTS	CUSTOMER DRAWING	SCALE: 2:1 SHEET 2 OF 2 REV H

## X-ON Electronics

Largest Supplier of Electrical and Electronic Components

*Click to view similar products for [Rack & Panel Connectors](#) category:*

*Click to view products by [TE Connectivity](#) manufacturer:*

Other Similar products are found below :

[00170420102](#) [00171420202](#) [00171440002](#) [008026165000265](#) [00-8219-072-000-112P44](#) [008219072000112P5](#) [02-014-013-5200-000](#) [613467-000](#) [CTJ112E01E-513](#) [CTJ116E03A-513](#) [M81714/63-22S L/C](#) [M81714/65-12-1](#) [66020-2](#) [CW8958-000](#) [699886-000](#) [D250-50632](#)  
[70.400.3240.0](#) [70.955.2453.3](#) [733753-000](#) [F22831-000](#) [780-522-DPX34RG8-02](#) [MMA25-0341D1](#) [8660-501](#) [87.060.0053.0](#) [900709N001](#)  
[QRP4-12P-C\(01\)](#) [QR/P6-6S-C\(01\)](#) [AC-600003-004](#) [1218600-1](#) [D-659-0061](#) [DMC-MD 24 C-T](#) [1-445717-6](#) [1484398-2](#) [1484399-2](#) [1484469-2](#) [MR-34MG](#) [1484225-1](#) [1484398-1](#) [1604997-2](#) [1663130-1](#) [1663767-7](#) [1663767-8](#) [MTC100-BF1-P31CS015](#) [MTC100-KT2-0083](#) [MTC100-KT2-0123-003](#) [MTC100-YA1-005](#) [MTCB1X-105-XXX](#) [MTCPQKT1P2PGDC](#) [MTCPQKT1R2PGCA](#) [MTCR-103-04S](#)