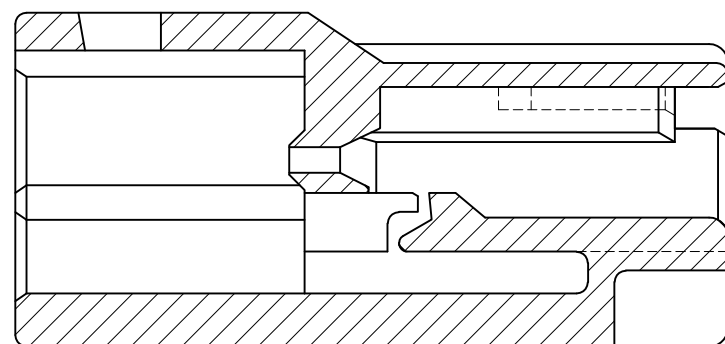
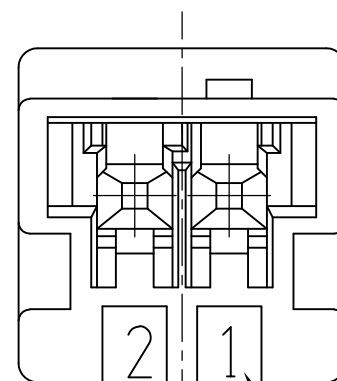
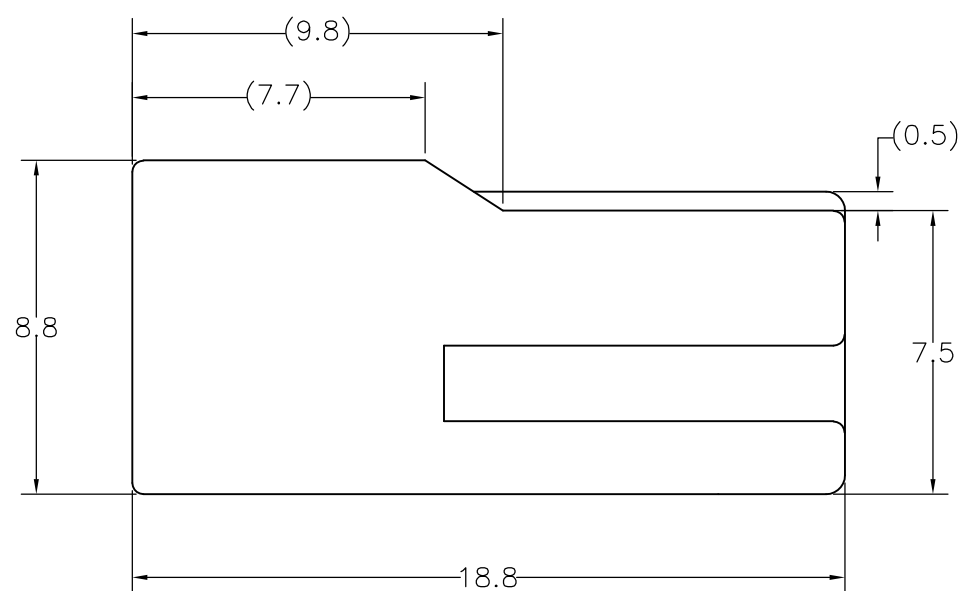
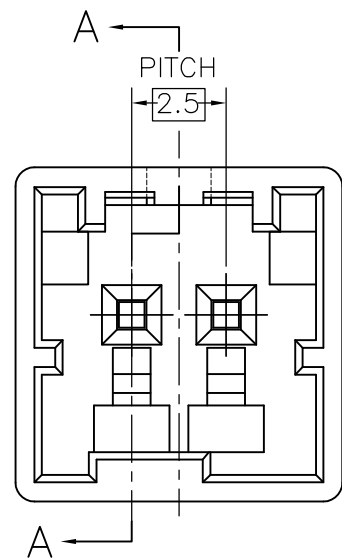
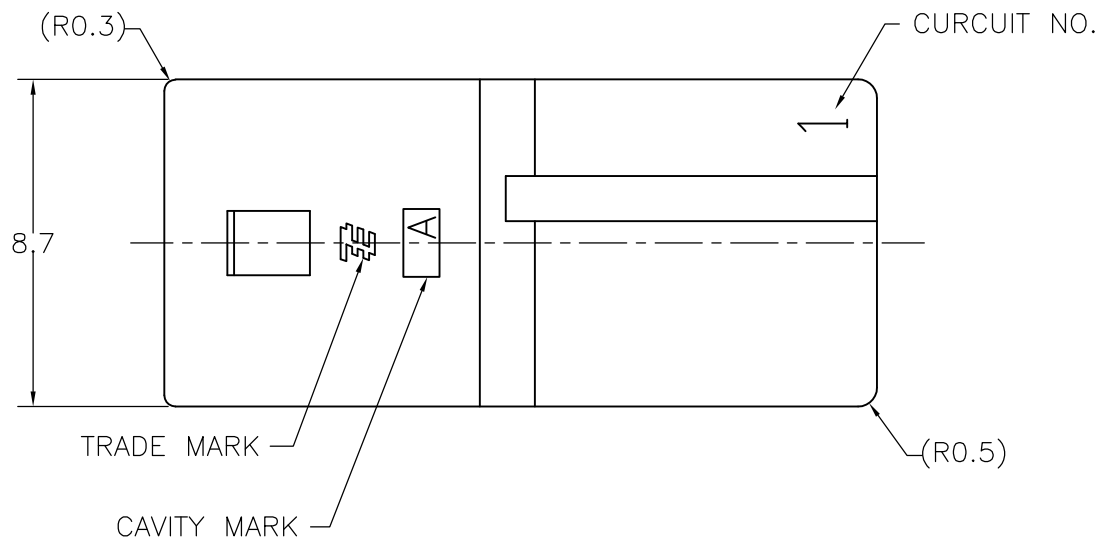


THIS DRAWING IS UNPUBLISHED. RELEASED FOR PUBLICATION
 © COPYRIGHT BY TYCO ELECTRONICS CORPORATION. ALL RIGHTS RESERVED.

LOC	DIST	REVISIONS					
J	—	P	LTR	DESCRIPTION	DATE	DWN	APVD
		B1		REVISED PER ECR-10-019980	04OCT10	HMR	TM

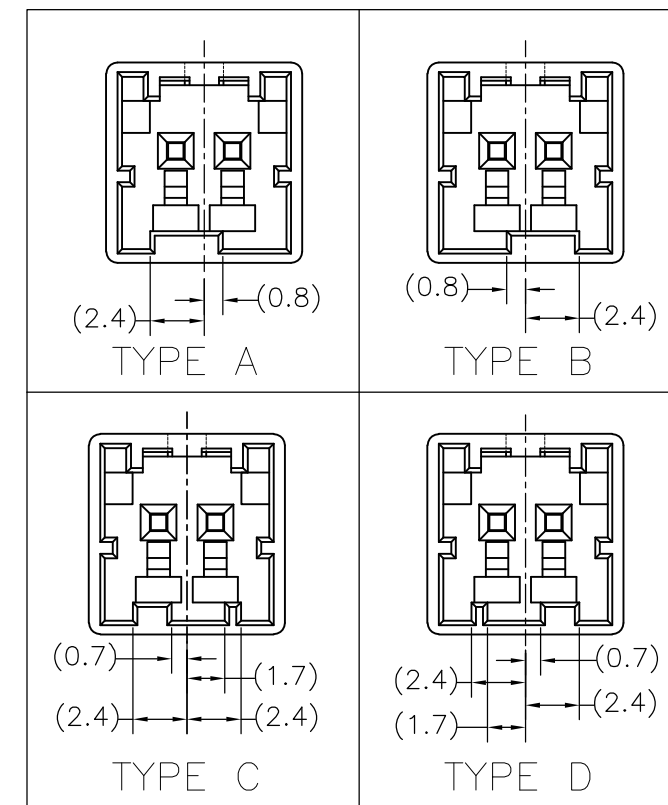


断面 A-A
SECT A-A

注記
 1. 一般公差: ±0.3
 △ 材料PBTガラス強化(UL94V-0)
 ⊕ かん合相手製品型番
 プラグハウジング: TABLE参照のこと
 タブコンタクト: 917764, 917765

NOTE
 1. GENERAL TOLERANCE: ±0.3
 △ MATERIAL: PBT GLASS FILLED (UL94V-0)
 ⊕ MATING CONN. P/N
 PLUG HOUSING: SEE TABLE
 TAB CONTACT: 917764, 917765

TYPE OF KEYING



4-1903388-2	TYPE B	BLACK 黒色	4-1903391-2
3-1903388-4	TYPE D	YELLOW 黄色	3-1903391-4
2-1903388-3	TYPE C	BLUE 青色	2-1903391-3
1-1903388-2	TYPE B	RED 赤色	1-1903391-2
1903388-1	TYPE A	NATURAL 自然色	1903391-1
△ かん合相手型番 MATING HSG P/N	キーイング形状 TYPE OF KEYING	色調 COLOR	型番 PART NUMBER

THIS DRAWING IS A CONTROLLED DOCUMENT.		DWN J. SATO 31OCT05	Tyco Electronics AMP K.K. Kawasaki, Japan	
DIMENSIONS: 単位: 耗 mm		CHK T. HATANO 31OCT05	NAME 名称 GRACE INERTIA CONNECTOR 2.5 W CAP HOUSING 2P	
TOLERANCES UNLESS OTHERWISE SPECIFIED: 一般公差		APVD N. YAMASAKI 31OCT05	PRODUCT SPEC 製品規格 108-78350	
0 PLC ± 1 PLC ± 2 PLC ± 3 PLC ± 4 PLC ± ANGLES ±		APPLICATION SPEC 取付適用規格	SIZE A3	CAGE CODE 00779
MATERIAL 材料 SEE NOTE △		FINISH 仕上	DRAWING NO 番号 G-1903391	RESTRICTED TO —
WEIGHT		CUSTOMER DRAWING		SCALE 尺度 5:1
		SHEET 1 OF 1		REV B1

X-ON Electronics

Largest Supplier of Electrical and Electronic Components

Click to view similar products for [Headers & Wire Housings](#) category:

Click to view products by [TE Connectivity](#) manufacturer:

Other Similar products are found below :

[95000-104TRLF](#) [10135584-644402LF](#) [DF62W-EP2022PCA](#) [95000-106TRLF](#) [DF62W-2022SCA](#) [DF62W-EP2022PC](#) [2203348](#) [DF62W-2022SC](#) [1084018](#) [1029039](#) [1084017](#) [802-10-012-10-002000](#) [1112640](#) [1112639](#) [000-34000](#) [0009482033](#) [0009507031](#) [57102-S06-03LF](#) [57202-S52-04LF](#) [PCN6-15S-2.5E](#) [0039019024](#) [58102-G61-06LF](#) [582553-1](#) [0009485154](#) [0009508121](#) [0022285053](#) [0050291907](#) [018731A](#) [LY20-4P-DT1-P1E-BR](#) [02.125.8002.8](#) [60101931](#) [60598-1 \(Cut Strip\)](#) [M1625-3R/100](#) [61062-3](#) [61082-181009](#) [636-1427](#) [638009-1](#) [641938-9](#) [641991-4](#) [644168-1](#) [647662-1](#) [65039-019ELF](#) [65817-002LF](#) [65817-015LF](#) [65863-015LF](#) [66207-023LF](#) [67016-026LF](#) [67046-001LF](#) [67095-007LF](#) [67230-005LF](#)