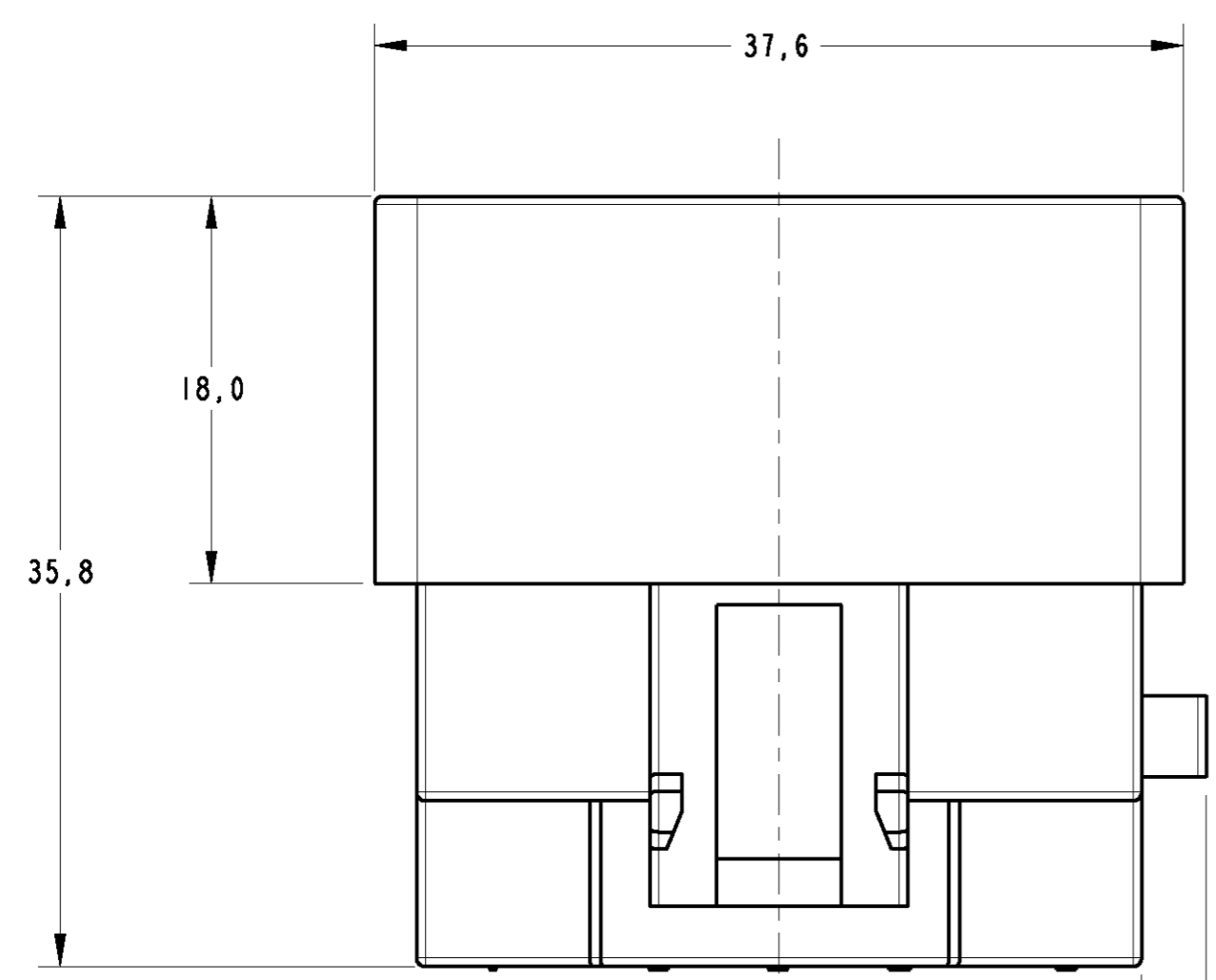
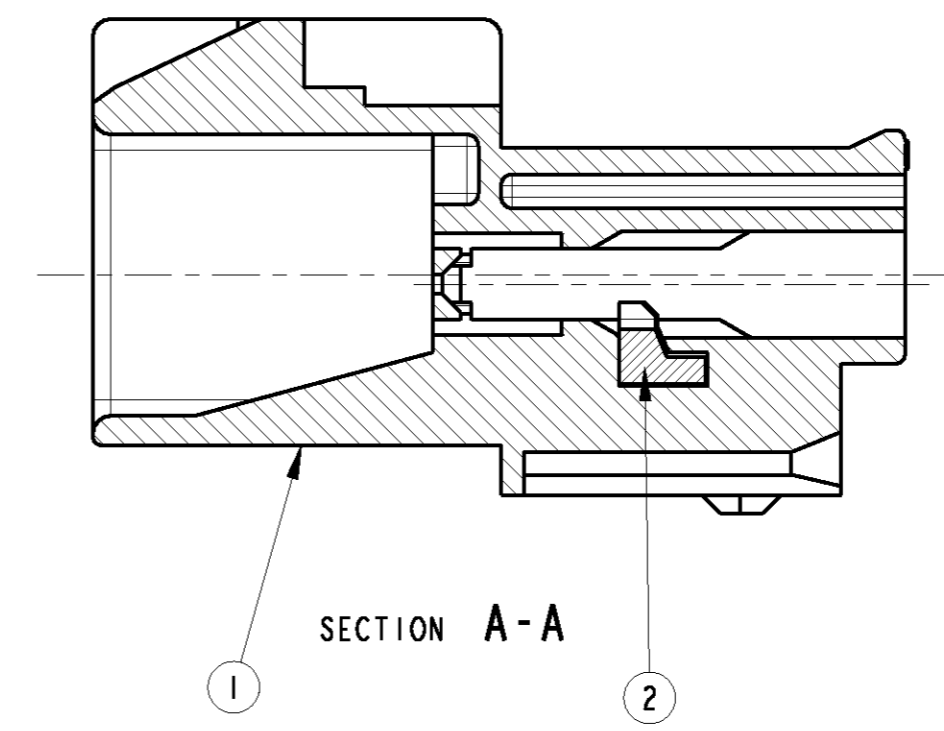
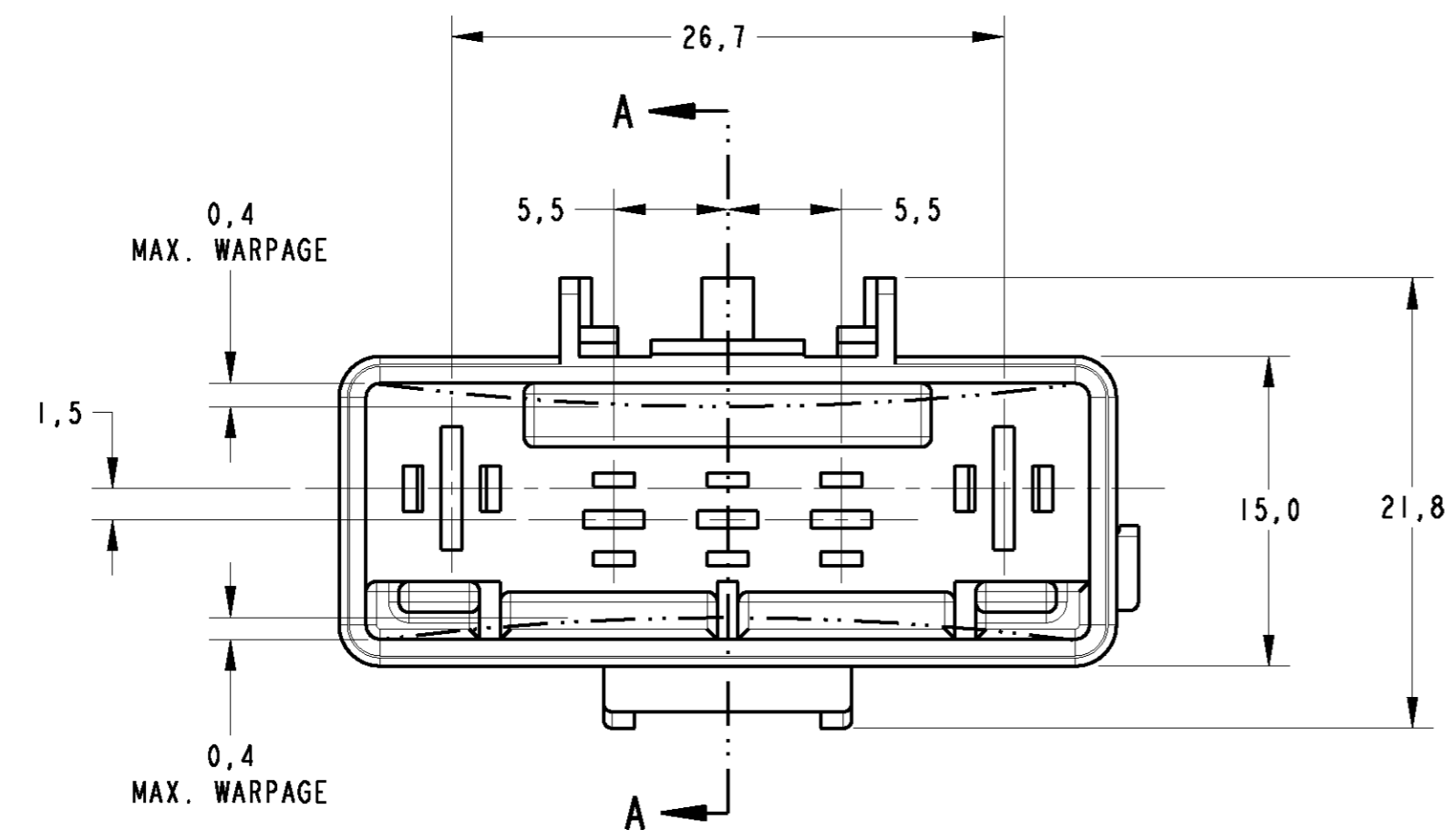
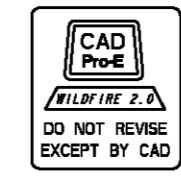


THIS DRAWING IS UNPUBLISHED. RELEASED FOR PUBLICATION 2004
 © COPYRIGHT 2004 BY TYCO ELECTRONICS CORPORATION. ALL RIGHTS RESERVED.

LOC	DIST	REVISIONS					
AP	-	P	LTR	DESCRIPTION	DATE	DWN	APVD
		O		RELEASED BY EC LB00-0244/04	27APR2004	EL	PLF
		A		UPDATE BY EC LE10-0171/04	06AUG2004	EL	PLF
		B		REVISED BY ECLE10-242/04	01SEP2004	AP	PLF
		BI		REVISED BY ECO-07-026675	23NOV2007	NCL	MR



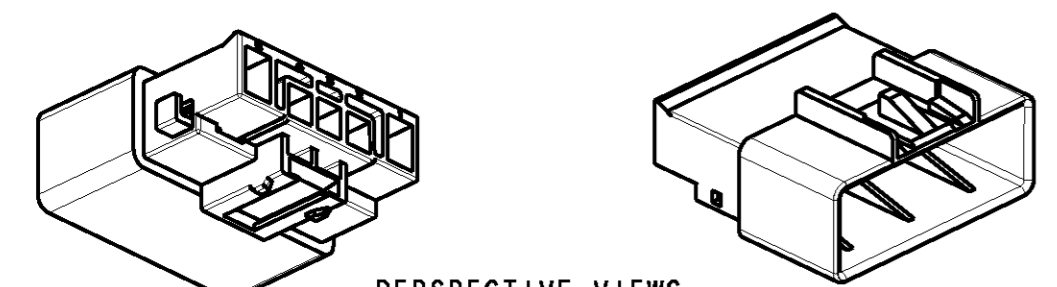
GRAVAÇÃO MARKING
LOGOTIPO TE TE LOGO
CÓDIGO PAÍS PRODUTOR MANUFACTURER COUNTRY CODE
NOMENCLATURA MATERIAL MATERIAL NOMENCLATURE
NÚMERO COMPONENTE TE TE COMPONENT NUMBER
NÚMERO CAVIDADE CAVITY NUMBER
PAÍS PRODUTOR MANUFACTURER COUNTRY
REV.+ LETRA REV.DA PEÇA REV.+ PART REV.LETTER
IDENTIFICACAO DO CIRCUITO CIRCUIT IDENTIFICATION

1 - POSIÇÃO DE PRÉ TRAVAMENTO DA TRAVA SECUNDÁRIA, FORNECIDO CONFORME MOSTRADO.

1 - PRE LOCK POSITION OF SECONDARY LOCK, SUPPLIED AS SHOWN.

2 - TERMINAIS: JPT - VIDE DESENHO GRUPO DE PRODUTO - C 1355364
 SPT - VIDE DESENHO GRUPO DE PRODUTO - C 1394011

2 - TERMINALS: JPT - SEE PRODUCT GROUP DRAWING - C 1355364
 SPT - SEE PRODUCT GROUP DRAWING - C 1394011



PERSPECTIVE VIEWS
SCALE 1:1

REQ. PER ASSY	ITEM	DESCRIPTION	MATERIAL	FINISH
1	2	SECONDARY LOCK, 5 POS HYBRID SPT/JPT, TAB	PA 6.6+15%GF	AZUL/BLUE
1	1	HOUSING, 5 POS HYBRID SPT/JPT, TAB	PA 6.6+15%GF	PRETO / BLACK
1599314				

THIS DRAWING IS A CONTROLLED DOCUMENT FOR TYCO ELECTRONICS CORPORATION IT IS SUBJECT TO CHANGE AND THE CONTROLLING ENGINEERING ORGANIZATION SHOULD BE CONTACTED FOR THE LATEST REVISION.		DWN E. LOPES 23APR2004 CHK P. L. FARIA 23APR2004 APVD I. W. PRADO 23APR2004	Tyco Electronics TYCO ELECTRONICS do Brasil LTDA. São Paulo, Brasil
DIMENSIONS: mm 	TOLERANCES UNLESS OTHERWISE SPECIFIED: 0 PLC ± 1 PLC ±0.3 2 PLC ± 3 PLC ± 4 PLC ± ANGLES ±° FINISH SEE TABLE	PRODUCT SPEC 108-37065 APPLICATION SPEC 411-37040 WEIGHT - / -	NAME HOUSING ASSEMBLY, 5 POS HYBRID SPT/JPT, TAB SIZE CAGE CODE DRAWING NO RESTRICTED TO A2 00779 C-1599314 - / -
MATERIAL SEE TABLE		CUSTOMER DRAWING	
		SCALE 3:1	SHEET 1 OF 1 REV BI

1599314

X-ON Electronics

Largest Supplier of Electrical and Electronic Components

Click to view similar products for [Automotive Connectors](#) category:

Click to view products by [TE Connectivity](#) manufacturer:

Other Similar products are found below :

[003-018-000](#) [600858](#) [60403001](#) [60993906-B](#) [60993913-B](#) [629515004020001](#) [M902-2131](#) [M902-2161](#) [M902-2344](#) [72.330.1035.1](#)
[73.353.4028.0](#) [F118010](#) [F119300-B](#) [F132210](#) [F132210-B](#) [F166900](#) [F180100](#) [F258300](#) [F258300-B](#) [F294300-B](#) [F339100](#) [F339700](#) [F358300-](#)
[B](#) [F374110](#) [F407400](#) [F412210](#) [F427600](#) [F444110](#) [F487000](#) [F495100-B](#) [F500900-B](#) [F509500B-B](#) [770444-1](#) [776880-1](#) [827153-1](#) [881735-1](#)
[8N1515-32-24P](#) [9-1326727-8](#) [9-1326729-8](#) [925467-1](#) [925474-1](#) [928905-1](#) [936398-2](#) [964562-1](#) [964562-4](#) [964731-2](#) [965051-1](#) [968782-1](#)
[GT17SA-8DS-HU](#) [GT17VS-10DP-5.2CF](#)