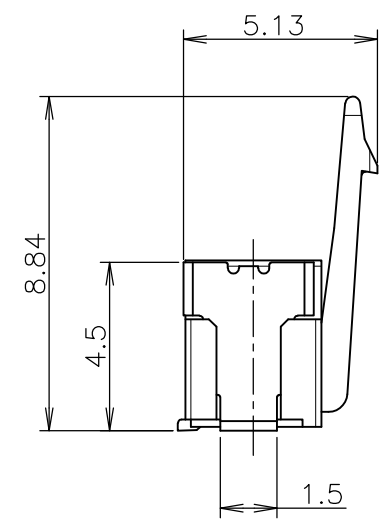
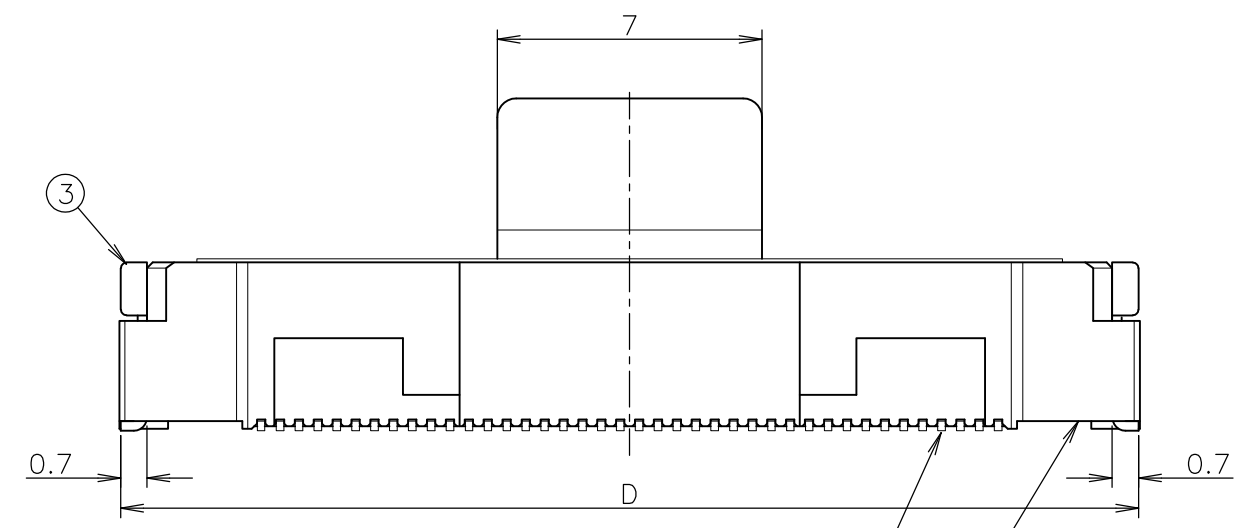
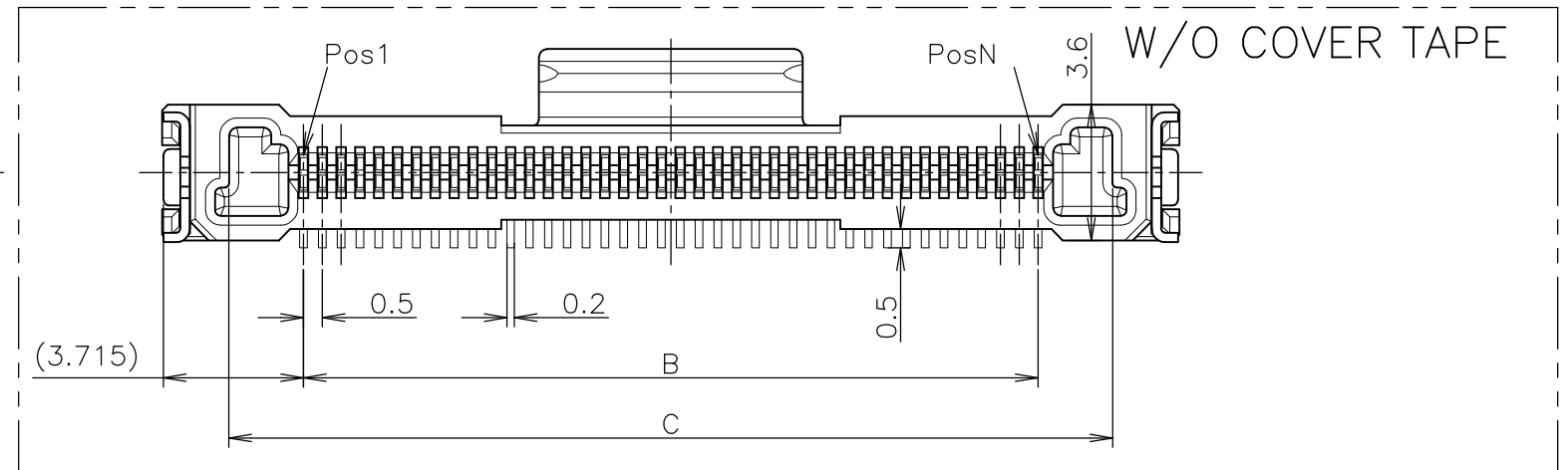
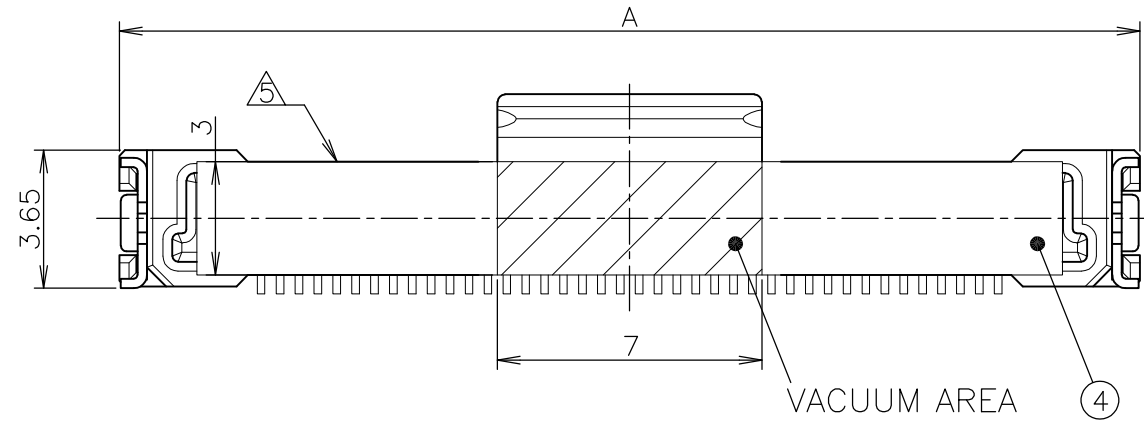


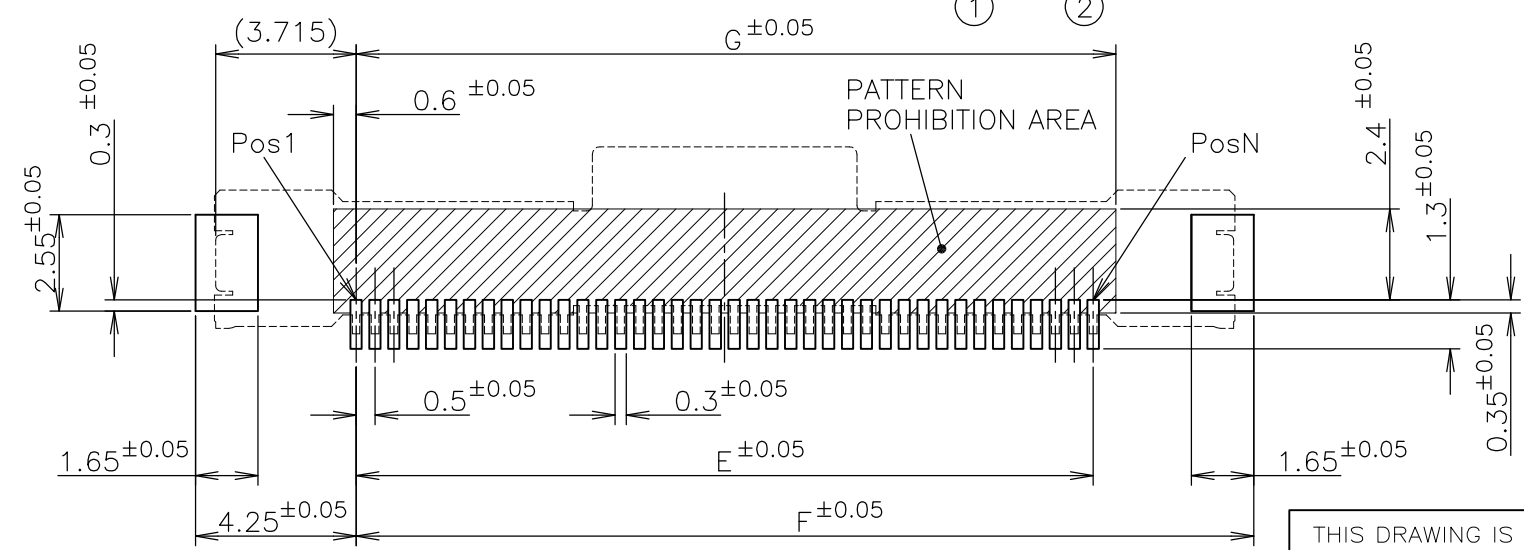
THIS DRAWING IS UNPUBLISHED. RELEASED FOR PUBLICATION
 © COPYRIGHT BY TYCO ELECTRONICS CORPORATION. ALL RIGHTS RESERVED.

| LOC | DIST | REVISIONS | | |
|-----|------|-----------|---------|-------------|
| J | | P | LTR | DESCRIPTION |
| | | B | REVISED | DATE |
| | | | | DWN |
| | | | | APVD |
| | | | | 20AUG07 |
| | | | | I.I |
| | | | | T.F |



- NOTE
- 1 GENERAL TOLERANCE : ±0.3, ±3°
 - △ MATERIAL
 - CONTACT : COPPER ALLOY
 - HOUSING : LCP(GRAY)
 - PEG : COPPER ALLOY
 - COVER TAPE : POLYIMIDE FILM
 - △ CONTACT FINISH
 - Ni UNDER PLATE, Au PLATE
 - △ PEG FINISH
 - Ni UNDER PLATE, Sn PLATE
 - △ tyco MARK

| G | F | E | D | C | B | A | POS | PART NUMBER |
|------|-------|------|-------|-------|------|----|-----|-------------|
| 40.1 | 43.75 | 39.5 | 46.93 | 43.45 | 39.5 | 47 | 80 | 1871334-3 |
| 20.1 | 23.75 | 19.5 | 26.93 | 23.45 | 19.5 | 27 | 40 | 1871334-1 |



PCB DIMENSION(REF.)

| | | | |
|-------|---|-------------|------|
| 1 | △ | COVER TAPE | ④ |
| 2 | △ | PEG | ③ |
| 1 | △ | HOUSING | ② |
| N | △ | CONTACT | ① |
| -1,-3 | | FINISH NAME | ITEM |

THIS DRAWING IS A CONTROLLED DOCUMENT.

| | | | |
|------------------|-------------|-----------|---|
| DWN | T.SEKINE | 29NOV05 | Tyco Electronics Corporation Kawasaki, Japan |
| CHK | T.FUTATSUGI | 29NOV05 | |
| APVD | Y.YAMAMOTO | 29NOV05 | |
| PRODUCT SPEC | 製品規格 | 108-78322 | NAME |
| APPLICATION SPEC | 取付適用規格 | 411-78220 | FFC EASY MATING CONNECTOR, 0.5mm PITCH |
| WEIGHT | | | RECEPTACLE ASSY |
| | | | (VERTICAL TYPE) |
| | | | SIZE |
| | | | CAGE CODE |
| | | | DRAWING NO |
| | | | 番号 |
| | | | RESTRICTED TO |
| | | | A3 00779 C-1871334 |
| | | | CUSTOMER DRAWING |
| | | | SCALE |
| | | | 尺度 5:1 |
| | | | SHEET |
| | | | 1 OF 3 |
| | | | REV |
| | | | B |

THIS DRAWING IS UNPUBLISHED.

RELEASED FOR PUBLICATION

© COPYRIGHT BY TYCO ELECTRONICS CORPORATION.

ALL RIGHTS RESERVED.

LOC J

DIST

REVISIONS

変更

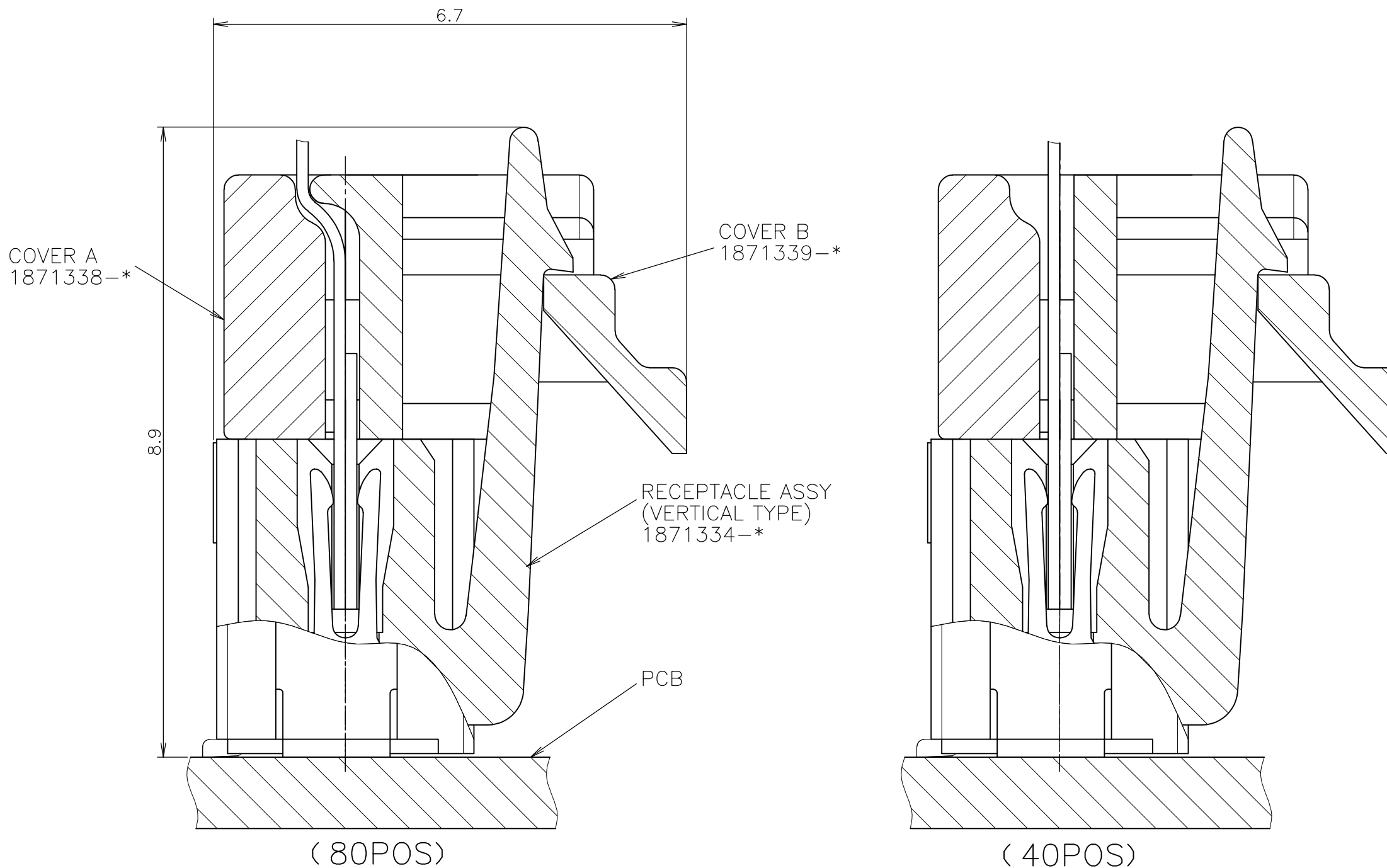
DESCRIPTION

DATE

DWN

APVD

SEE SHEET 1

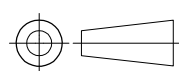


MATING CONDITION

THIS DRAWING IS A CONTROLLED DOCUMENT.

DIMENSIONS:
単位: 耗
mm

TOLERANCES UNLESS
OTHERWISE SPECIFIED:
一般公差



- 0 PLC ±
- 1 PLC ±
- 2 PLC ±
- 3 PLC ±
- 4 PLC ±
- ANGLES ±
- FINISH 仕上

MATERIAL
材料

DWN

CHK

APVD

PRODUCT SPEC
製品規格

APPLICATION SPEC
取付適用規格

WEIGHT



Tyco Electronics Corporation
Kawasaki, Japan

NAME
名称

FFC EASY MATING CONNECTOR, 0.5mm PITCH
RECEPTACLE ASSY
(VERTICAL TYPE)

SIZE

CAGE CODE

DRAWING NO
番号

RESTRICTED TO

A3

00779

G-1871334

CUSTOMER DRAWING

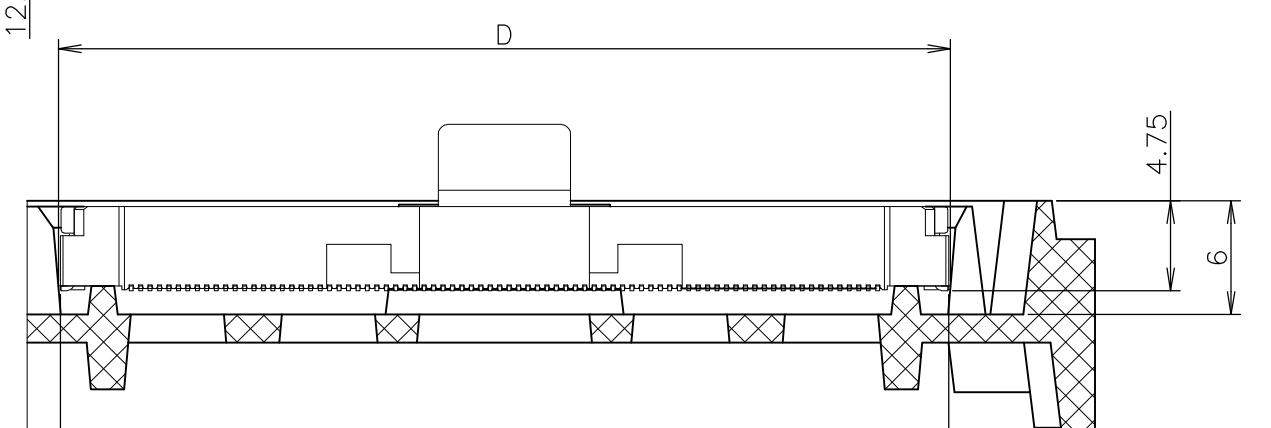
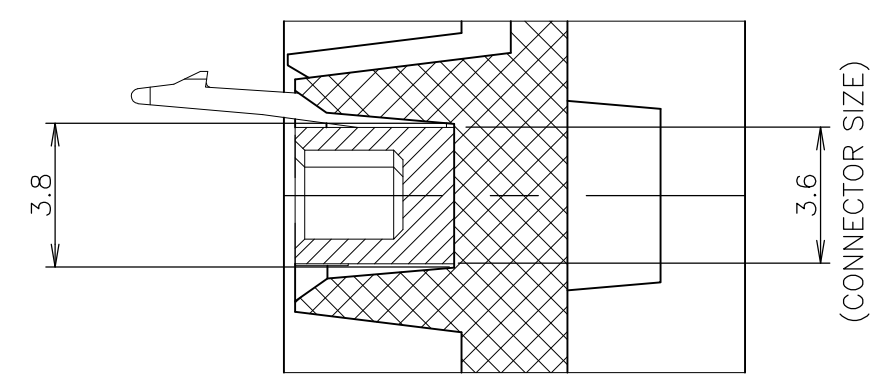
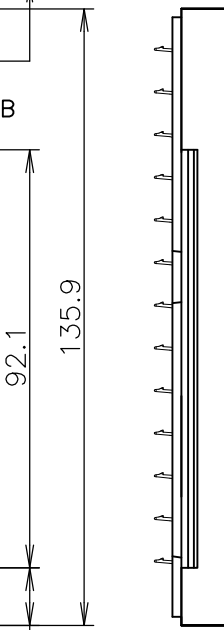
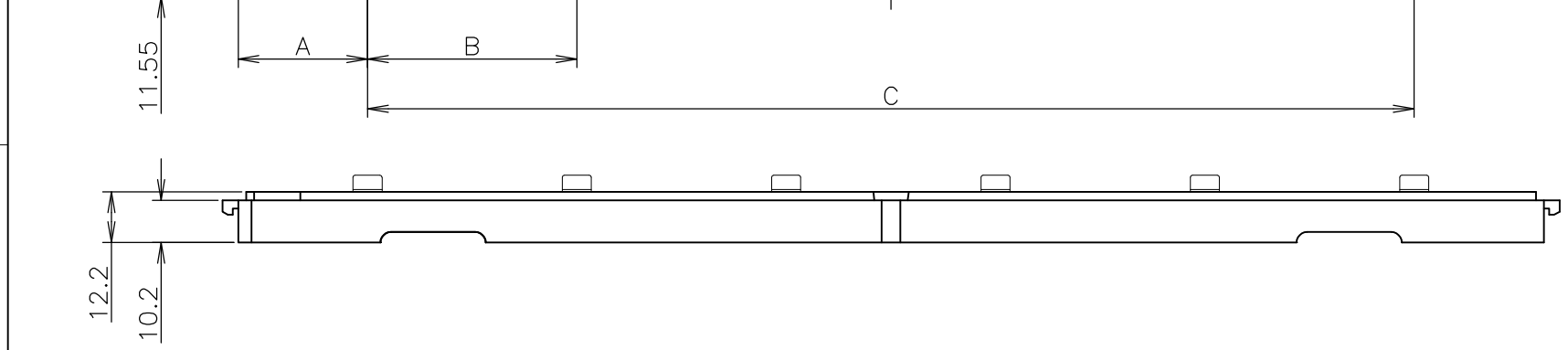
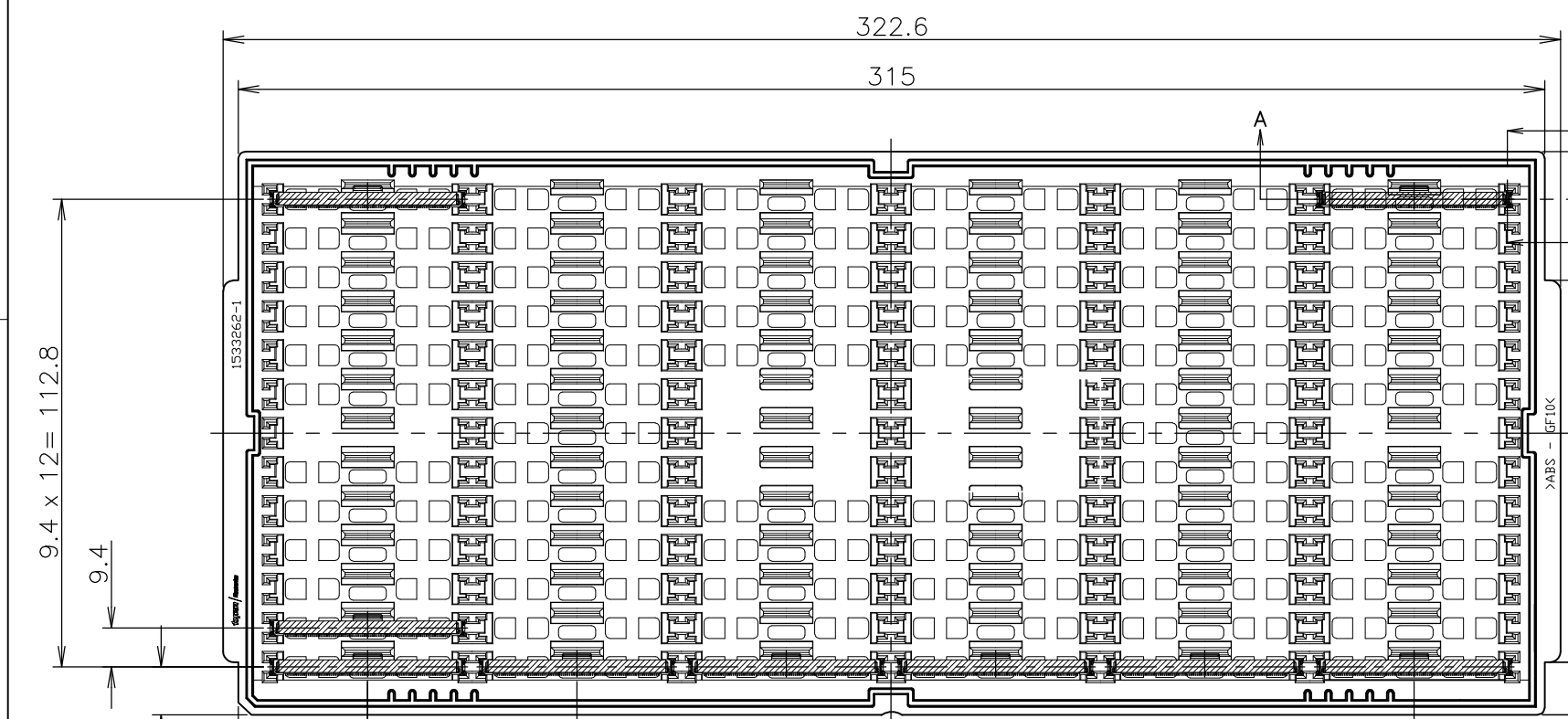
SCALE
尺度 15:1

SHEET
2 OF 3

REV
B

THIS DRAWING IS UNPUBLISHED. RELEASED FOR PUBLICATION
 © COPYRIGHT BY TYCO ELECTRONICS CORPORATION. ALL RIGHTS RESERVED.

| LOC | DIST | REVISIONS | | | DATE | DWN | APVD |
|-----|------|-----------|-----|-------------|------|-----|------|
| J | | P | LTR | DESCRIPTION | | | |
| | | - | | SEE SHEET 1 | - | - | - |



| QUANTITY/TRAY | E | D | C | B | A | POS | PART NUMBER |
|---------------|----|------|-------|------|-------|-----|-------------|
| 78 | 47 | 47.2 | 252.5 | 50.5 | 31.25 | 80 | 1871334-3 |
| 130 | 27 | 27.2 | 262.8 | 29.2 | 26.1 | 40 | 1871334-1 |

| | | | | |
|--|---|--|--|-----------------|
| THIS DRAWING IS A CONTROLLED DOCUMENT. | | DWN | Tyco Electronics Corporation Kawasaki, Japan | |
| DIMENSIONS: 単位: 耗 mm | TOLERANCES UNLESS OTHERWISE SPECIFIED: 一般公差 | CHK | NAME 名称 FFC EASY MATING CONNECTOR, 0.5mm PITCH RECEPTACLE ASSY (VERTICAL TYPE) | |
| | 0 PLC ± | APVD | PRODUCT SPEC 製品規格 | |
| | 1 PLC ± | PRODUCT SPEC | APPLICATION SPEC 取付適用規格 | |
| MATERIAL 材料 | 2 PLC ± | WEIGHT | SIZE | CAGE CODE |
| | 3 PLC ± | DRAWING NO 番号 A3 00779 C-1871334 | | RESTRICTED TO |
| 4 PLC ± | CUSTOMER DRAWING | | SCALE 尺度 NTS | SHEET 3 OF 3 |
| ANGLES ± | SCALE | | REV B | |
| FINISH 仕上 | SCALE | | | |

X-ON Electronics

Largest Supplier of Electrical and Electronic Components

Click to view similar products for [FFC & FPC Connectors](#) category:

Click to view products by [TE Connectivity](#) manufacturer:

Other Similar products are found below :

[HFW11R-1STE1H1LF](#) [FH29B-100S-0.2SHW\(99\)](#) [FA5S008HP1](#) [FH29B-120S-0.2SHW\(99\)](#) [FH29B-80S-0.2SHW\(99\)](#) [FHS-16](#) [FPH-2022G](#)
[52610-1075](#) [52610-1275](#) [52610-1934](#) [XF3M\(1\)-1415-1B-R100](#) [501864-3091-TR225](#) [0525594033](#) [086210010340800](#) [086222026001800](#)
[52271-2869-CUT-TAPE](#) [62674-201121DLF](#) [62684-36210E9ALF](#) [52610-1675](#) [52746-1671-TR250](#) [10051922-2810EHLF](#) [6-520415-9](#)
[BD021-09A-A1-0350-0200-0550-LD](#) [SFV6R-1STE9HLF](#) [XF3M-2915-1B-R100](#) [1658549-1](#) [62674-221121ALF](#) [46214008010800](#)
[046298003000883](#) [151660622](#) [842-816-2630-035](#) [AYF530665TA](#) [AYF351525](#) [046296011930846+](#) [AYF352325A](#) [046254020000800+](#)
[FH19C-13S-0.5SH\(99\)](#) [FH39J-51S-0.3SHW\(99\)](#) [AYF355125A](#) [AYF530365TA](#) [FH29B-44S-0.2SHW\(99\)](#) [SFW5R-2STAE9LF](#) [AYF351125A](#)
[AYF350725A](#) [62684-502100AHLF](#) [FH39-61S-0.3SHW\(99\)](#) [AYF414035A](#) [10064555-172520HLF](#) [AYF212335A](#) [504754-2500](#)