

THIS DRAWING IS A CONTROLLED DOCUMENT.

DIMENSIONS: 單位: 絲 mm
TOLERANCES UNLESS OTHERWISE SPECIFIED: 公差

APVD: L. MARTIN 20MAY2010
CHK: C. FISHER 20MAY2010
NAME: Y. STEVEN 20MAY2010

PRODUCT SPEC: 產品規格
108-78180-8
APPLICATION SPEC: 零件適用規格

WEIGHT: 重量
FINISH: 表面處理
MATERIAL: 材料

SCALE: 尺碼 4:1
SHEET 1 OF 7
REV B2
RESTRICTED TO

CUSTOMER DRAWING

PART LIST						DIMENSION														QTY	SCREW SIZE	Au PL
PART NUMBER	PACKING	CONNECTOR	SHELL TYPE	FLANGE	POLYIMIDE TAPE	E	F	G	H	J	K	L	M	N	P	R	S	AA	T	U	V	
1932649-1	EMBOSSED (SEE SHEET 5)	(SEE SHEET 2)	THROUGH HOLE	WITHOUT FLANGE	WITHOUT TAPE	16	14.2	28.4	32	0.4	9.32	37.5	33.5	-	-	-	-	1.9	550	-	0.1	
1932649-2	SOFT TRAY (SEE SHEET 6)	(SEE SHEET 3)	THROUGH HOLE	WITH FLANGE	WITHOUT TAPE	-	-	-	-	-	-	-	-	46	6-23	138	46	1.9	70	$\Delta \varnothing 2.65 \pm 0.3$	0.1	
1932649-3	EMBOSSED (SEE SHEET 5)	(SEE SHEET 3)	THROUGH HOLE	WITH FLANGE	WITHOUT TAPE	20	20.2	40.4	44	0.5	18.3	49.5	45.5	-	-	-	-	1.9	200	$\Delta 3 \times 0.5$	0.1	
1932649-4	SOFT TRAY (SEE SHEET 6)	(SEE SHEET 3)	THROUGH HOLE	WITH FLANGE	WITHOUT TAPE	-	-	-	-	-	-	-	-	46	6-23	138	46	1.9	70	$\Delta 3 \times 0.5$	0.1	
1932649-5	SOFT TRAY (SEE SHEET 6)	(SEE SHEET 3)	THROUGH HOLE	WITH FLANGE	WITHOUT TAPE	-	-	-	-	-	-	-	-	46	6-23	138	46	1.9	70	$\Delta 3 \times 0.5$	0.1	
1-1932649-2	SOFT TRAY (SEE SHEET 6)	(SEE SHEET 3)	THROUGH HOLE	WITH FLANGE	WITHOUT TAPE	-	-	-	-	-	-	-	-	46	6-23	138	46	1.9	70	$\Delta 3 \times 0.5$	0.3	
1-1932649-5	SOFT TRAY (SEE SHEET 6)	(SEE SHEET 3)	THROUGH HOLE	WITH FLANGE	WITHOUT TAPE	-	-	-	-	-	-	-	-	46	6-23	138	46	1.9	70	$\Delta 3 \times 0.5$	0.3	
2-1932649-5	SOFT TRAY (SEE SHEET 6)	(SEE SHEET 4)	THROUGH HOLE	WITH FLANGE	WITHOUT TAPE	-	-	-	-	-	-	-	-	46	6-23	138	46	1.9	70	$\Delta 3 \times 0.5$	0.3	
1932649-6	EMBOSSED (SEE SHEET 5)	(SEE SHEET 2)	THROUGH HOLE	WITHOUT FLANGE	WITHOUT TAPE	16	14.2	28.4	32	0.4	9.32	37.5	33.5	-	-	-	-	0.9	550	-	0.1	

CONTACT COPLANARITY IS 0.1 MAX.
THIS DIMENSION MEANS CENTER OF THE POCKET.
M3 TAPPING + BVTP RECOMMENDED TORQUE: 68.6N (7kgf) MAX.
FINISH

CONTACT: V μ m MIN. Au PL. ON CONTACT AREA (V: SEE TABLE)
0.03~0.1 μ m Au PL. ON TERMINAL AREA
N: UNDER PL. ALL OVER
SHELL: Sn PL. (MATTE) ALL OVER
N: UNDER PL. ALL OVER
SCREW SIZE
QTY PRINT ON THE LABEL. (EMBOSSED PACKING)

1470-19 (3/11)

THIS DRAWING IS UNPUBLISHED. MAY '2010. RELEASED FOR PUBLICATION
COPYRIGHT 2010 BY - ALL RIGHTS RESERVED.

LOC: ES
DIST: 1

REVISONS

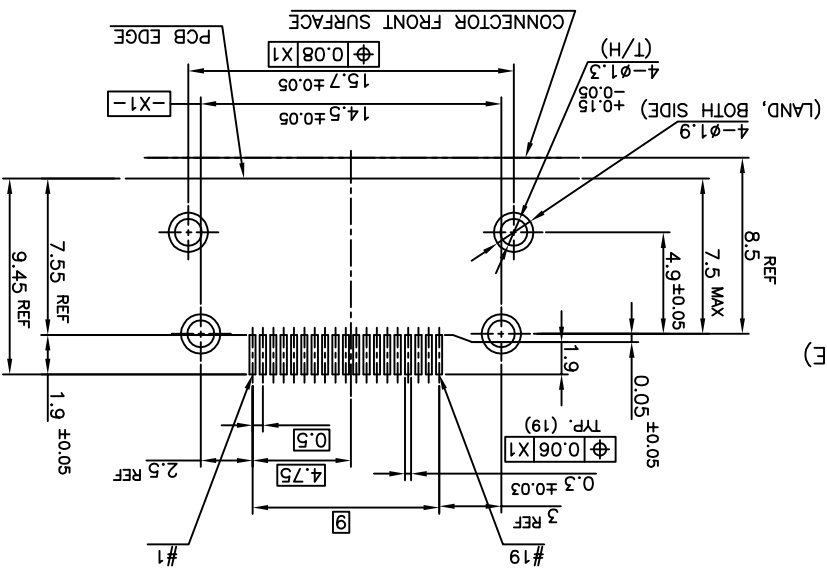
DATE	APVD	DESCRIPTION
21NOV2011	J.H.S.Y	REVISED ECR-11-023607

CUSTOMER DRAWING SCALE 4:1 SHEET 2 of 7 REV B2		MATERIAL DIMENSIONS: 單位: 絲 mm TOLERANCES UNLESS OTHERWISE SPECIFIED: 一般公差	
WEIGHT APPLICATION SPEC 零件應用規格		FINISH 仕上 4 PLC 3 PLC 2 PLC 1 PLC 0 PLC	
PRODUCT SPEC 製造規格		APVD 名稱 NAME 名稱 SMT SHORT TYPE HDMI 19 POS RECEPTACLE ASSY	
CAGE CODE 1932649 DRAWING NO 1932649 圖號		SIZE A3 00779 圖號	
DMN		CHK APVD PRODUCT SPEC APPLICATION SPEC WEIGHT	

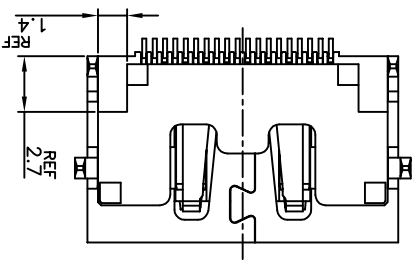
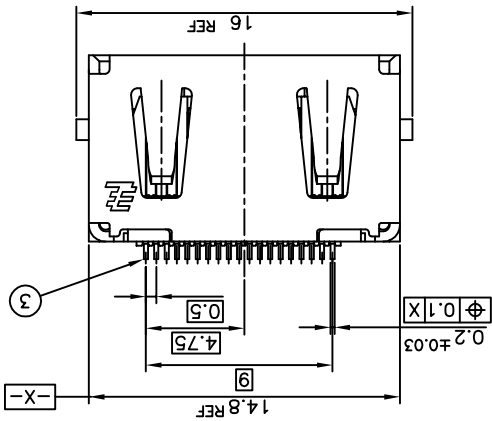
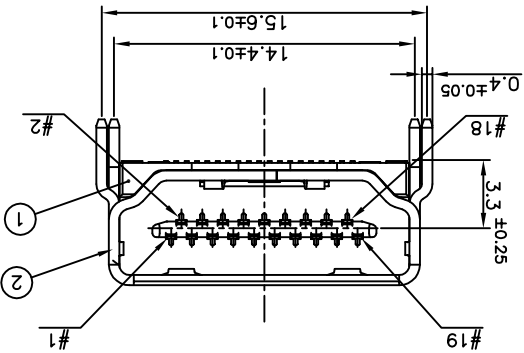
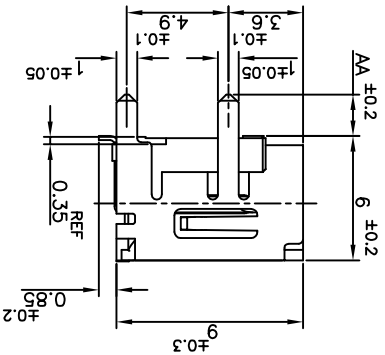
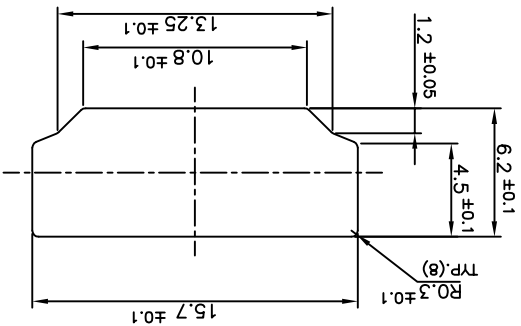
ITEM	DESCRIPTION	MATERIAL
①	HOUSING	GLASS FILLED LCP UL94V-0, BLACK COLOR
②	SHELL	STAINLESS STEEL
③	CONTACT	BRASS

CONNECTOR: WITHOUT FLANGE THROUGH HOLE TYPE

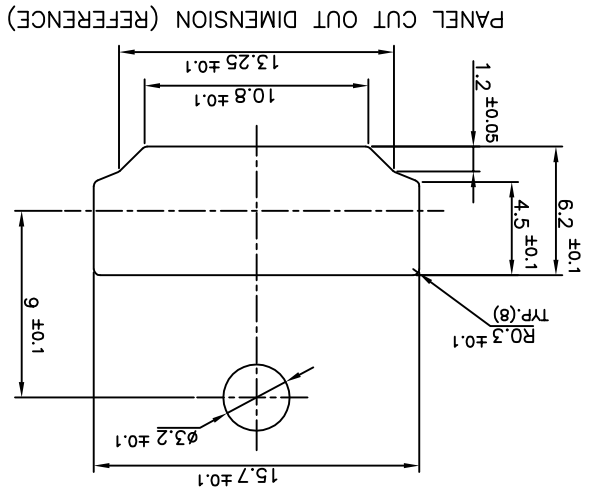
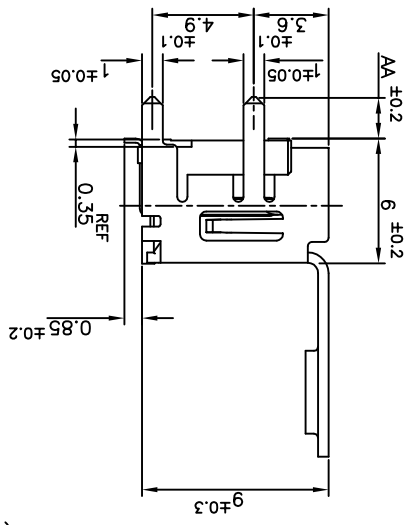
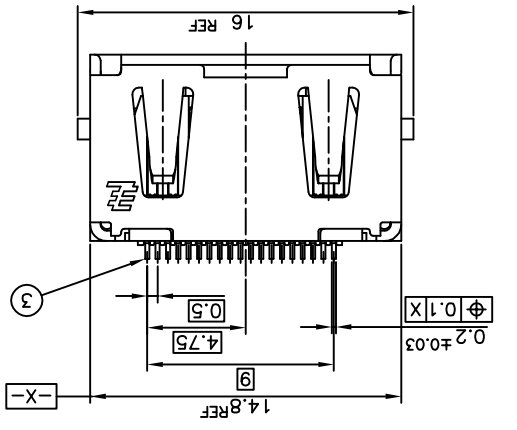
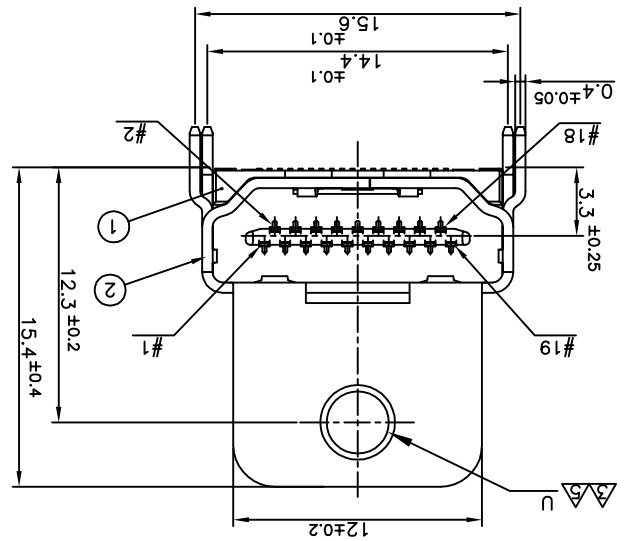
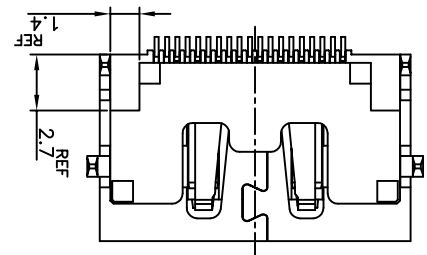
P.C.B LAYOUT (REFERENCE)
 SHOWN AS CONNECTOR MOUNTING SIDE
 TOLERANCE: NON-CUMULATIVE



PANEL CUT OUT DIMENSION (REFERENCE)



LOC	DIST	ES	P	LTR	DATE	DESCRIPTION	REV
						SEE SHEET 1	

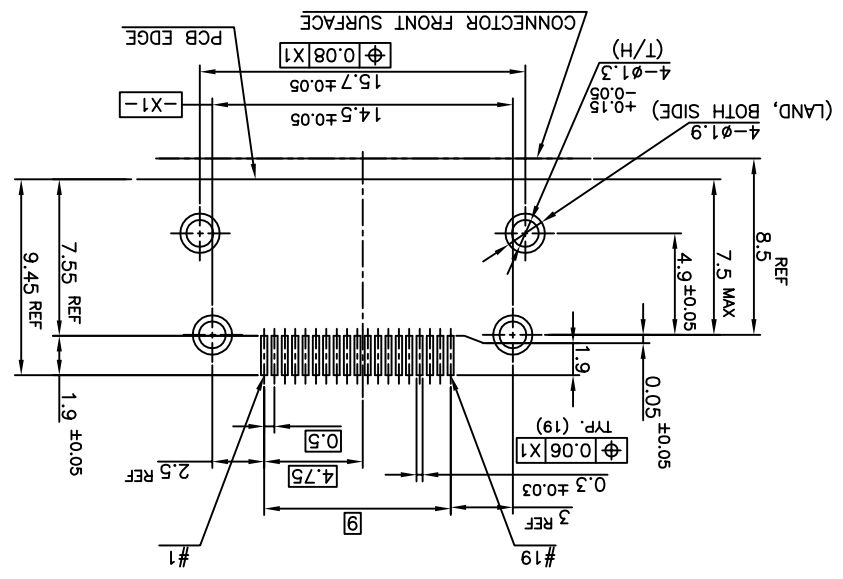


CONNECTOR: WITH FLANGE THROUGH HOLE TYPE

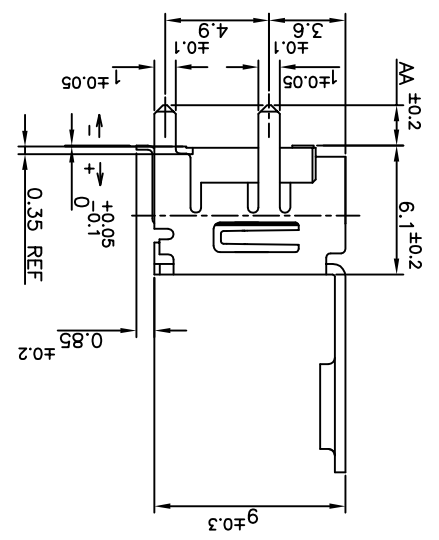
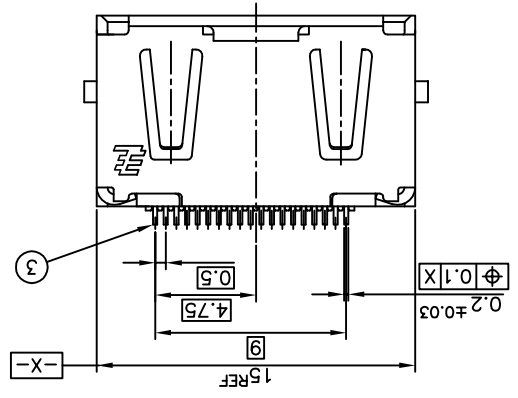
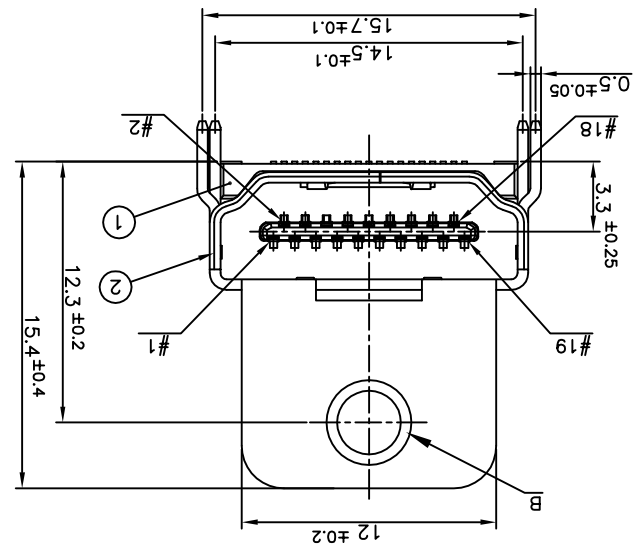
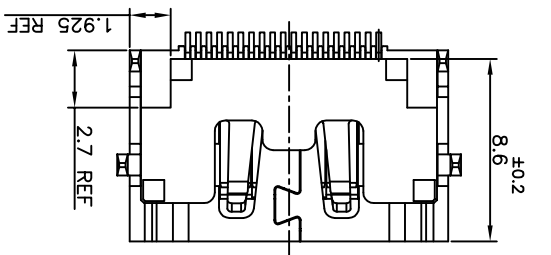
MATERIAL		DIMENSIONS: 單位: 毫米	
FINISH		TOLERANCES UNLESS OTHERWISE SPECIFIED	
APPLICABLE ANGLES		OTHERWISE SPECIFIED	
WEIGHT		CHECK	
APPLICATION SPEC		DWN	
PRODUCT SPEC		NAME	
APVD		TE Connectivity	
HDMI 19 POS RECEPTACLE ASSY		SMT SHORT TYPE	
DRAWING NO 1932649		SCALE 4:1	
CAGE CODE 00779		SHEET 3 of 7	
REV B2		CUSTOMER DRAWING	

ITEM	DESCRIPTION	MATERIAL
①	HOUSING	GLASS FILLED LCP UL94V-0, BLACK COLOR
②	SHELL	STAINLESS STEEL
③	CONTACT	BRASS

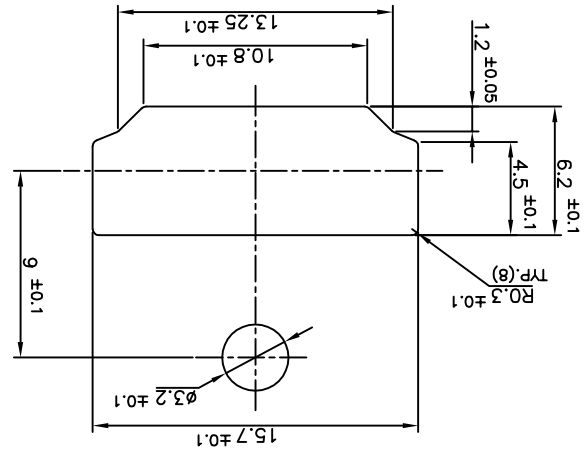
P.C.B LAYOUT (REFERENCE)
SHOWN AS CONNECTOR MOUNTING SIDE
TOLERANCE: NON-CUMULATIVE



LOC	DIST	ES
P	LTR	
DATE	DWN	APVD
REVISIONS	DESCRIPTION	SEE SHEET 1



PANEL CUT OUT DIMENSION (REFERENCE)



CONNECTOR: WITH FLANGE THROUGH HOLE TYPE

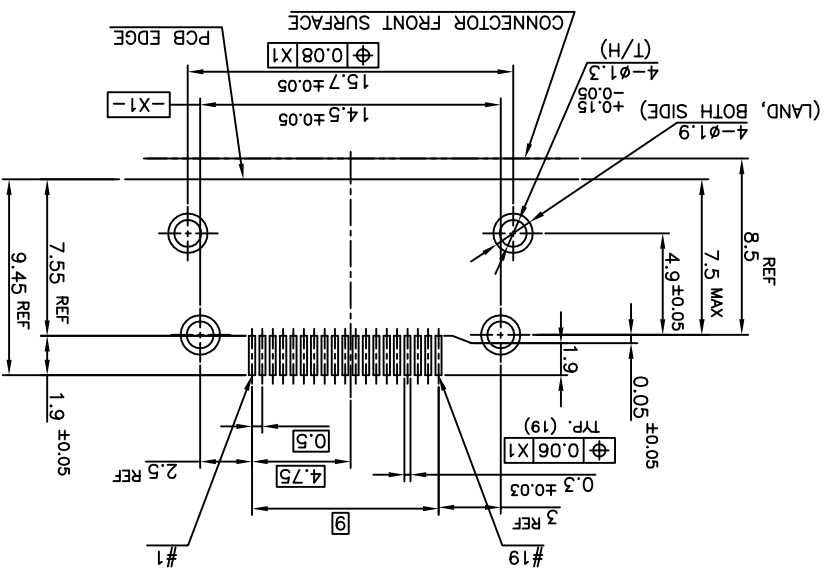
THIS DRAWING IS A CONTROLLED DOCUMENT.

DIMENSIONS:	單位: 毫米
TOLERANCES UNLESS OTHERWISE SPECIFIED:	一般公差
FINISH:	0 P/LC 1 P/LC 2 P/LC 3 P/LC 4 P/LC
ANGLER:	±
材料:	

DWN	NAME	名稱
CHK	APVD	核准
	PRODUCT SPEC	產品規格
	APPLICATION SPEC	取件適用規格
	WEIGHT	重量
CUSTOMER DRAWING		
SCALE	尺碼	4:1
SHEET	張數	4 of 7
REV	號	B2
DRAWING NO 1932649		
RESTRICTED TO		

ITEM	DESCRIPTION	MATERIAL
①	HOUSING	GLASS FILLED LCP UL94V-0, BLACK COLOR
②	SHELL	BRASS
③	CONTACT	BRASS

P.C.B LAYOUT (REFERENCE)
SHOWN AS CONNECTOR MOUNTING SIDE
TOLERANCE: NON-CUMULATIVE

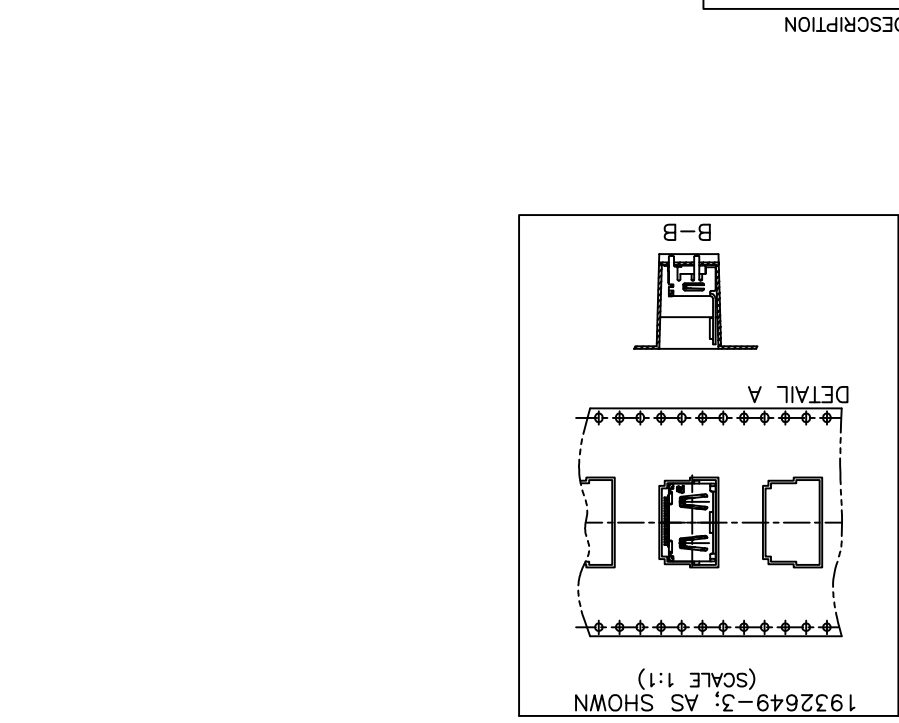


LOC	DIST	ES
P	LTR	
REVISIONS		
DESCRIPTION	變更	
DATE		
DWN	APVD	
SEE SHEET 1		

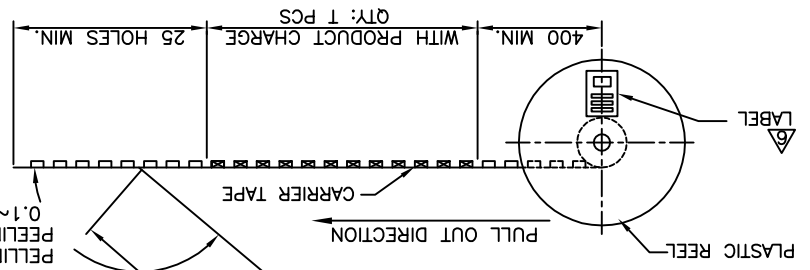
CUSTOMER DRAWING		SCALE 4:1	SHEET 5 of 7	REV B2
DRAWING NO 1932649		CAGE CODE 00779	SIZE A3	WEIGHT
DRAWING NO 1932649		零件圖號	圖號	圖號
SMT SHORT TYPE		產品規格	產品規格	產品規格
HDMI 19 POS RECEPTACLE ASSY		APVD	CHK	DWN
TE Connectivity		THIS DRAWING IS A CONTROLLED DOCUMENT.		

COVER TAPE	PET
CARRIER TAPE	PS
REEL	PLASTIC
DESCRIPTION	MATERIAL

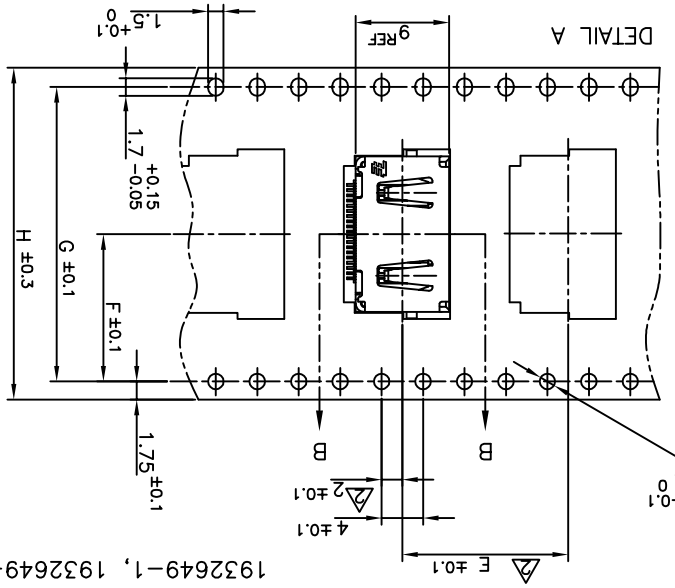
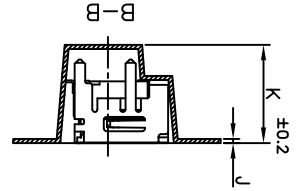
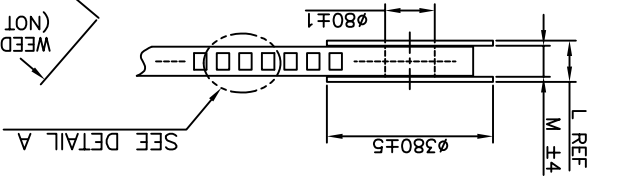
LABEL DESCRIPTION
 TYCO P/N: *-1932649-*
 D/C: * pcs
 MADE IN CHINA



REV B2	RESTRICTED TO	DATE	DESCRIPTION	APVD
5 of 7	REV	-	SEE SHEET 1	-



WEEDING THE COVER TAPE: 300 MIN
 (NOT INCLUDE EMPTYNESS POCKET)
 PULL OUT DIRECTION
 PEELING ANGLE: 165°~180°
 PEELING STRENGTH:
 0.1~0.7N (300mm/min.)



1932649-1, 1932649-6; AS SHOWN

X-ON Electronics

Largest Supplier of Electrical and Electronic Components

Click to view similar products for [HDMI, Displayport & DVI Connectors](#) category:

Click to view products by [TE Connectivity](#) manufacturer:

Other Similar products are found below :

[1775247-3](#) [2-1932649-5](#) [30-1231](#) [30-528](#) [2069485-1](#) [30-504](#) [30-519](#) [30-542](#) [47648-2000](#) [2002-400](#) [TC142X](#) [1453G1](#) [769-103/021-000](#)
[1932649-1](#) [233-368NFG6-17NH](#) [G45A19071083HR](#) [233-360NF00-17NH](#) [CP30200GM3B](#) [HYC02-DVI29-371](#) [P136-06NHDV4KBP](#)
[CP30116](#) [LTWDID-29PFFS-SL8001](#) [46765-1301](#) [47271-1004](#) [32-1121-BU](#) [DS1117-BN0-TME-002](#) [MHDR2A11004BP](#) [EHDMI2PKG](#)
[1903015-3](#) [DS1114-BN0](#) [WPUSBAF](#) [500254-1931](#) [HDMR-19-01-F-SM](#) [47151-1071](#) [1747981-1](#) [0480372000](#) [0482580001](#) [D121073-19](#)
[472710111](#) [HDMI-S-RA6-SMT-MF-15](#) [P142-000-UP](#) [P134-003](#) [P120-08N](#) [KDMIX-FS1V-WS-B](#) [P142-000-UD](#) [10029449-101RLF](#) [P132-](#)
[000](#) [P130-000](#) [P142-06N-MICRO](#) [P142-000-MINI](#)