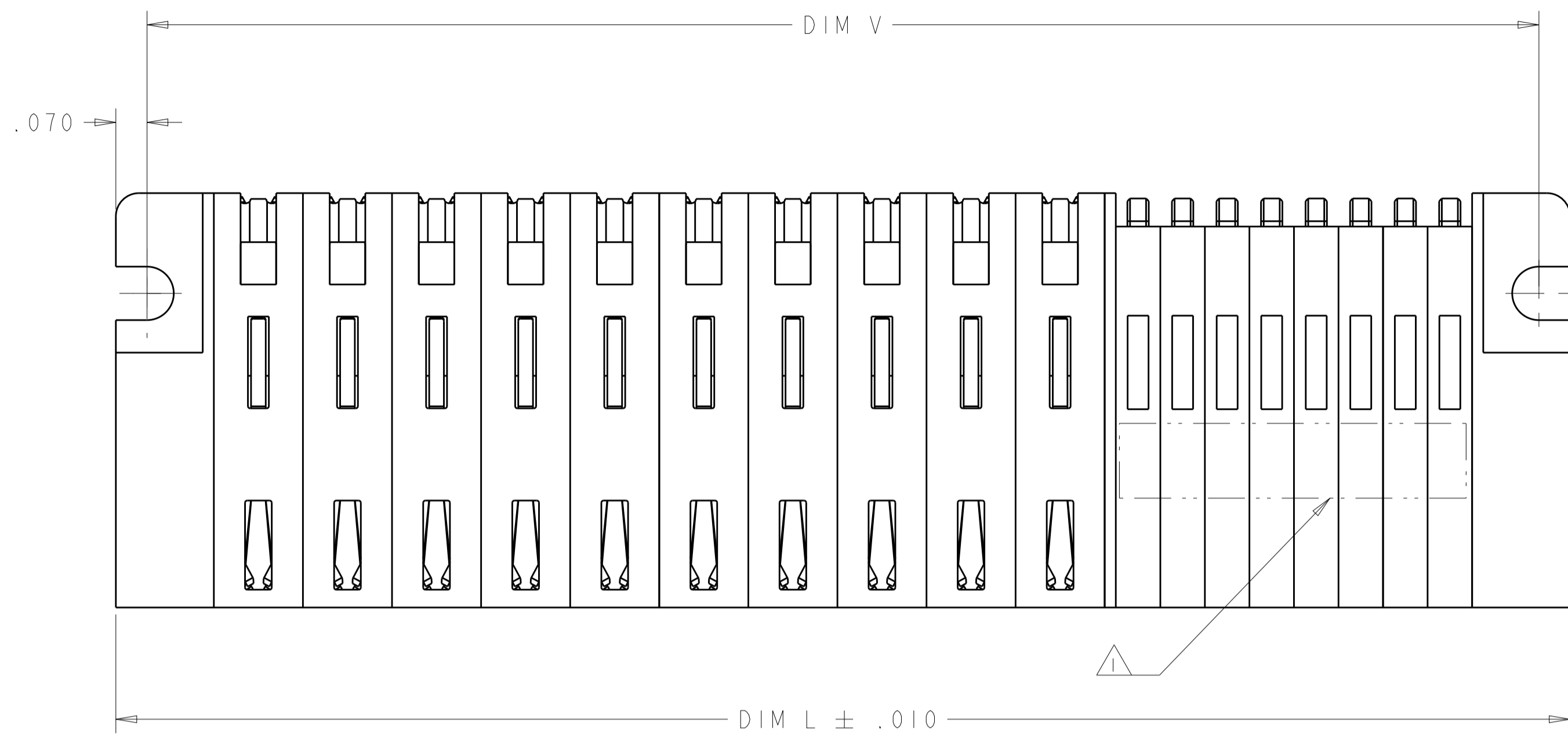
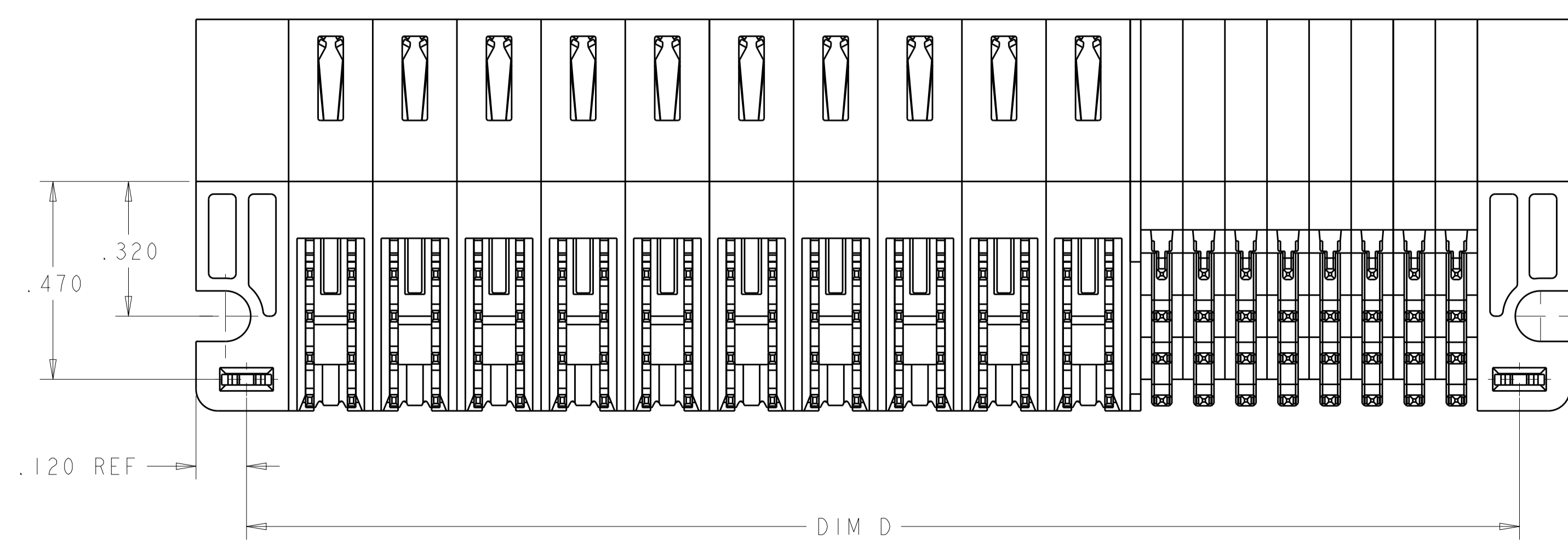
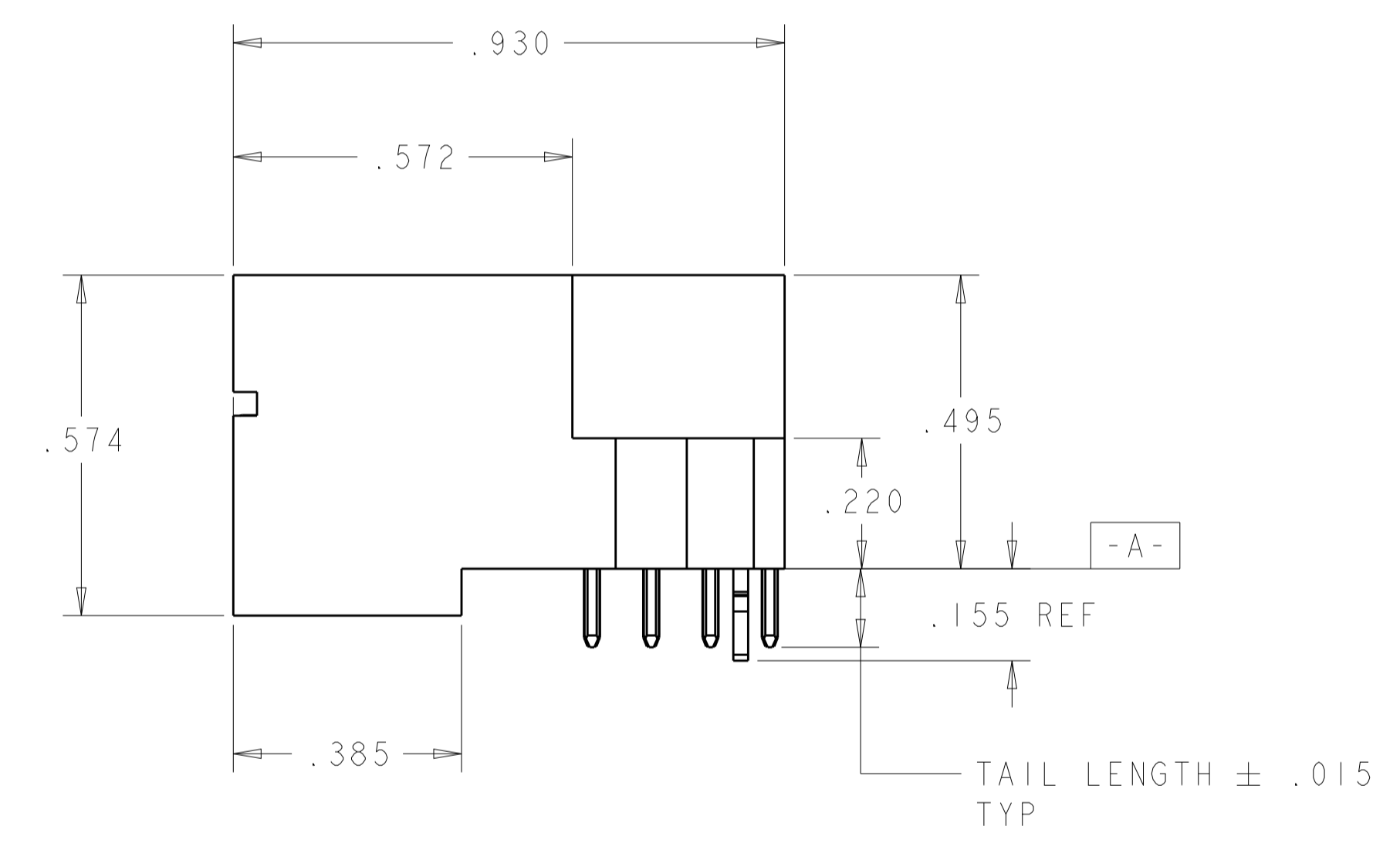
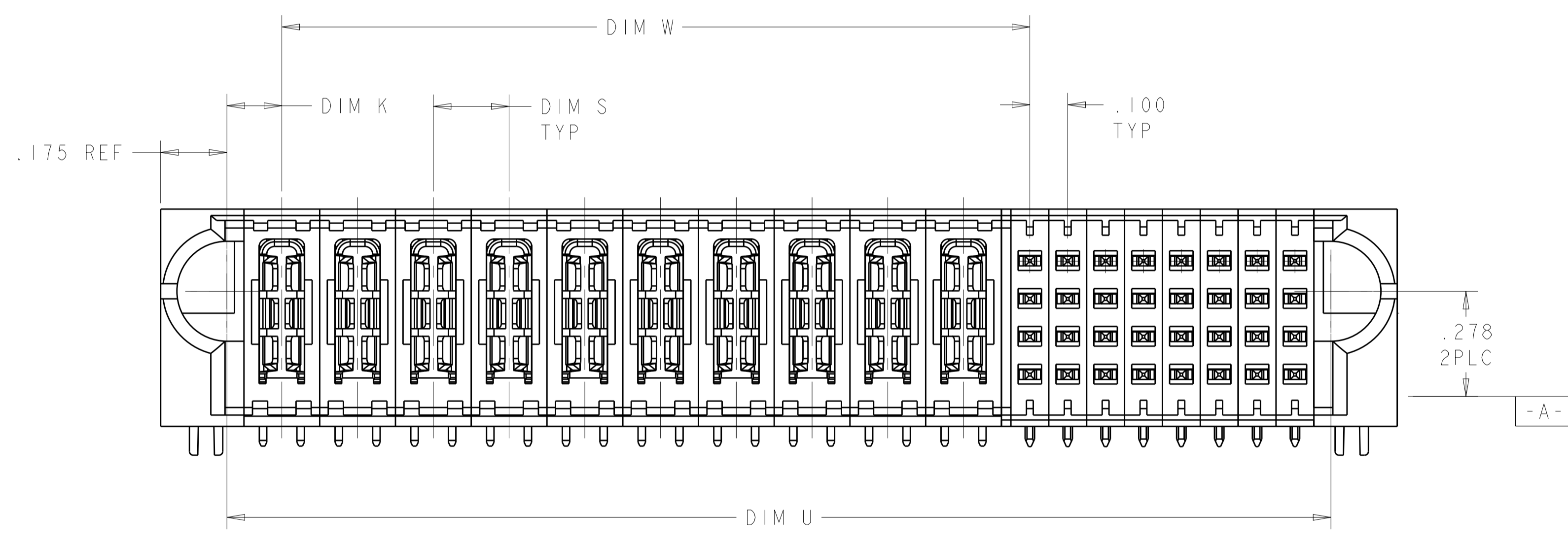


LOC	DIST	REVISIONS					
		P	LTN	DESCRIPTION	DATE	DWN	APVD
ES	00	K4		REVISED 4-7 BY CUSTOMER	18MAY2015	CZ	SZ
		K5		REVISED 4-7 SIGNAL PINS BY CUSTOMER	09JUN2015	CZ	SZ
		K6		REV PER ECO-17-001490	12DEC2016	CZ	SZ



- 1 "AMP", PART NUMBER AND DATE CODE TO BE MARKED IN AREA SHOWN PARTS UNDER 2.00" LONG MAY BE MARKED ON BOTH SIDES
- 2 MATERIAL:  
HOUSING - GLASS FILLED HIGH TEMP THERMO PLASTIC, UL94 V-0  
SIGNAL CONTACT - COPPER ALLOY  
POWER CONTACT - HIGH CONDUCTIVITY COPPER ALLOY
- 3 CONTACT PLATING: NOBLE METAL PLATING ON CONTACT FUNCTIONAL AREA OF SIGNAL CONTACTS AND POWER CONTACTS.
- 4 MECHANICAL CONNECTOR KEEP OUT ZONE
- 5 DATUM AND BASIC DIMENSIONS ESTABLISHED BY CUSTOMER
- 6 PCB - ALL HOLE DIAMETERS ARE FINISHED HOLE SIZES
- 7 PCB - 0.0453 ± .0010 DRILLED HOLES PLATED WITH .0003 MIN Sn OVER .001 TO .003 Cu PLATING TO ACHIEVE A .040 ± .030 HOLE
- 8 FOR CONFIGURATION "L/P", "P/LP/S", PLEASE REFER TO SHEET 3.
- 9 VARIABLE DIMENSIONS PLEASE SEE PART TABLE.



THIS DRAWING IS A CONTROLLED DOCUMENT.		DWN H. LIU CHK S. ZHAO	27MAY2008 27MAY2008	<b>STE</b> TE Connectivity
DIMENSIONS: INCHES		TOLERANCES UNLESS OTHERWISE SPECIFIED: 0 PLC ± .01 1 PLC ± .01 2 PLC ± .01 3 PLC ± .005 4 PLC ± .0020 ANGLES ± 30°		
MATERIAL		FINISH		NAME R/A HEADER WITH SHORT GUIDES AND LP CONTACTS ASSEMBLY MULTI-BEAM XLE
CUSTOMER DRAWING		SCALE 2:1		RESTRICTED TO SHEET 1 OF 24 REV K6

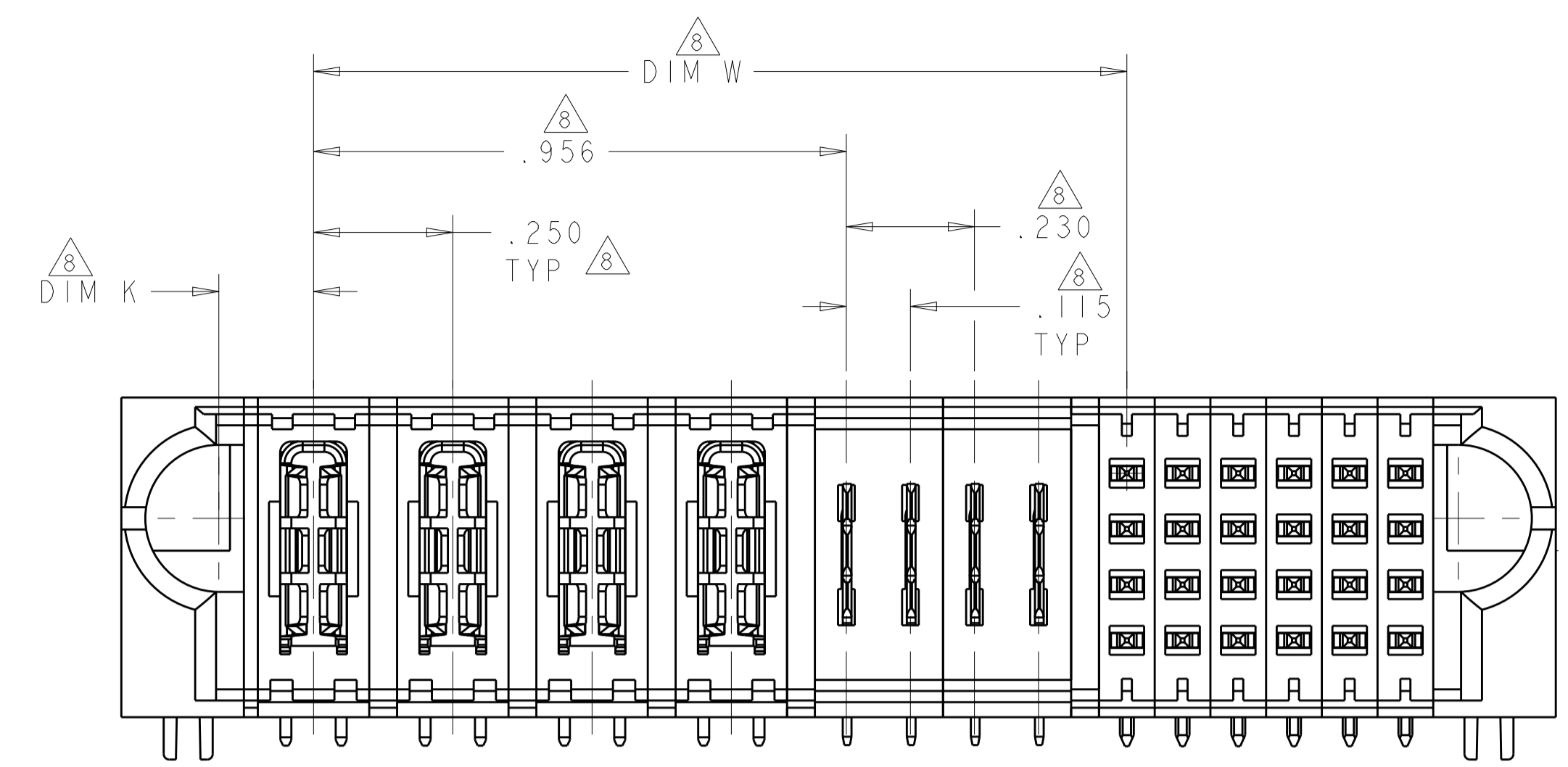
LOC	DIST	REVISIONS					
		P.	LTN	DESCRIPTION	DATE	DWN	APVD
		-		SEE SHEET 1	-	-	-

$\triangle 9$	4.640	4.500	4.290	4.400	2.550	.145	5P + 2HDP + 4P + 64S	5-6450832-9
$\triangle 9$	5.290	5.150	4.940	5.050	4.050	.195	15P + 28S	4-6450832-7
.200	2.965	2.825	2.615	2.725	1.975	.145	10HDP + 20S	4-6450832-6
$\triangle 9$	2.090	1.950	1.740	1.850	1.000	.145	5HDP + 24S	4-6450832-5
.200	1.990	1.850	1.640	1.750	.975	.170	5HDP + 20S	4-6450832-4
$\triangle 9$	3.790	3.650	3.440	3.550	2.625	.170	12P + 24S	4-6450832-3
.250	3.240	3.100	2.890	3.000	1.925	.170	8P + 32S	4-6450832-2
.250	3.240	3.100	2.890	3.000	1.925	.170	8P + 32S	4-6450832-1
.350	1.565	1.325	1.215	1.425	.975	.145	3P + 4S	4-6450832-0
.250	3.040	2.900	2.690	2.800	1.925	.170	8HDP + 24S	3-6450832-9
$\triangle 9$	2.965	2.825	2.615	2.725	1.825	.195	3ACP + 4P + 24S	3-6450832-8
$\triangle 9$	5.290	5.150	4.940	5.050	4.050	.195	15P + 28S	3-6450832-6
.200	1.990	1.850	1.640	1.750	.975	.170	5HDP + 20S	3-6450832-5
.250	3.090	2.950	2.740	2.850	1.950	.170	8P + 24S	3-6450832-4
$\triangle 9$	4.640	4.500	4.290	4.400	2.550	.145	5P + 2HDP + 4P + 64S	3-6450832-3
.200	3.265	3.125	2.915	3.025	2.175	.145	11HDP + 24S	3-6450832-2
.115 $\triangle 8$	.945	.805	.595	.705	.2725 $\triangle 8$	.1025 $\triangle 8$	2LP + 8S	3-6450832-1
.375	2.240	2.100	1.890	2.000	1.500	.170	4ACP + 8S	3-6450832-0
.200	3.265	3.125	2.915	3.025	2.175	.145	11HDP + 24S	2-6450832-8
.200	3.065	2.925	2.715	2.825	1.975	.145	10HDP + 24S	2-6450832-7
.200	2.240	2.100	1.890	2.000	1.150	.145	6HDP + 24S	2-6450832-6
$\triangle 8$	2.420	2.280	2.070	2.180	1.330	.145	5P + 2LP + 24S	2-6450832-5
$\triangle 8$	3.065	2.925	2.715	2.825	1.525	.195	4P + 40S	2-6450832-4
$\triangle 8$	4.015	3.875	3.665	3.775	3.075	.195	3ACP + 9P + 16S	2-6450832-3
.250	2.415	2.275	2.065	2.175	1.425	.145	6P + 20S	2-6450832-2
$\triangle 8$	2.420	2.280	2.070	2.180	1.330	.145	5P + 2LP + 24S	2-6450832-0
.250	3.790	3.650	3.440	3.550	2.675	.170	11P + 24S	1-6450832-9
$\triangle 8$	3.740	3.600	3.390	3.500	2.625	.170	3ACP + 8P + 24S	1-6450832-7
$\triangle 8$	3.790	3.650	3.440	3.550	2.700	.145	13P + 24S	1-6450832-6
.250	1.490	1.350	1.140	1.250	.675	.170	3P + 12S	1-6450832-4
.250	1.565	1.425	1.215	1.325	.425	.170	2P + 24S	1-6450832-2
.250	3.790	3.650	3.440	3.550	2.900	.145	12P + 16S	1-6450832-0
$\triangle 8$	1.590	1.450	1.240	1.350	.650	.170	2P + 8S	6450832-9
.115 $\triangle 8$	.970	.830	.620	.730	.2725 $\triangle 8$	.1275 $\triangle 8$	2LP + 8S	6450832-8
$\triangle 8$	3.740	3.600	3.390	3.500	2.625	.170	3ACP + 8P + 24S	6450832-7
.200	3.065	2.925	2.715	2.825	1.975	.145	10HDP + 24S	6450832-5
.200	3.065	2.925	2.715	2.825	1.975	.145	10HDP + 24S	6450832-4
.250	2.565	2.425	2.215	2.325	1.425	.170	6P + 24S	6450832-3
$\triangle 8$	2.575	2.435	2.225	2.335	1.460 $\triangle 8$	.170 $\triangle 8$	4P + 4LP + 24S	6450832-2
.200	3.265	3.125	2.915	3.025	1.975	.145	10HDP + 32S	6450832-1
DIM S	DIM L	DIM V	DIM U	DIM D	DIM W	DIM K	DESCRIPTION	PART NUMBER

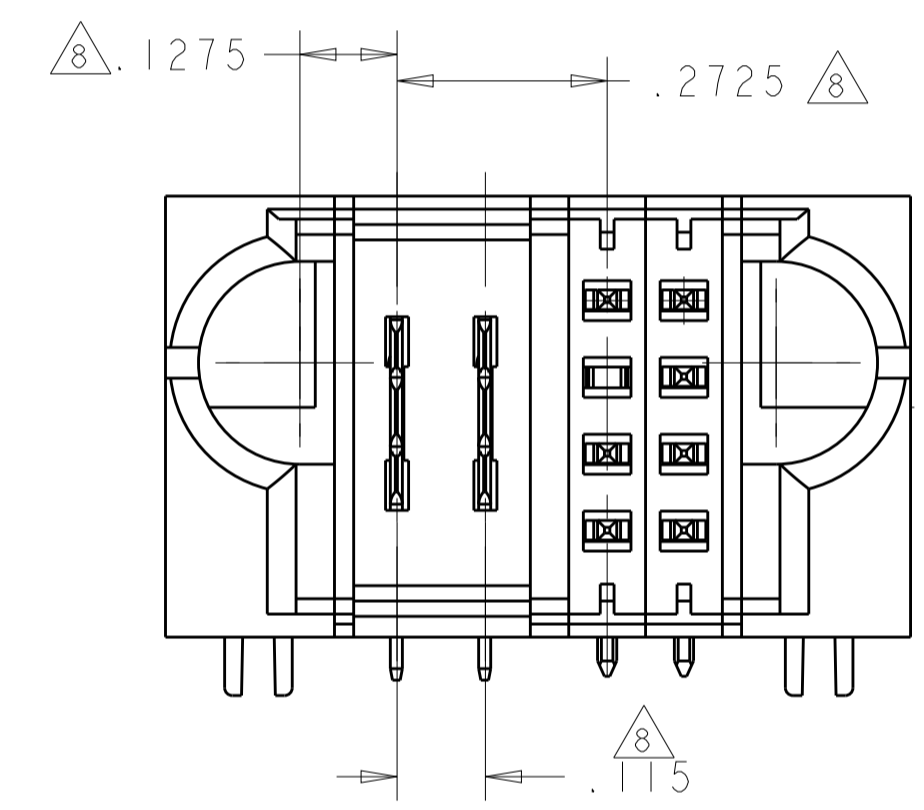
VIEW IN SHEET 6

THIS DRAWING IS A CONTROLLED DOCUMENT.		DWN H. LIU CHK S. ZHAO	27MAY2008 27MAY2008	<b>TE</b> TE Connectivity
DIMENSIONS: INCHES		TOLERANCES UNLESS OTHERWISE SPECIFIED: 0 PLC ±. 1 PLC ±.01 2 PLC ±.01 3 PLC ±.005 4 PLC ±.002 ANGLES ±.02		
		APVD S. ZHAO		NAME R/A HEADER WITH SHORT GUIDES AND LP CONTACTS ASSEMBLY MULTI-BEAM XLE
MATERIAL		FINISH		PRODUCT SPEC 108-2292
		APPLICATION SPEC 114-13251		SIZE A100779
		WEIGHT		DRAWING NO C=6450832
		CUSTOMER DRAWING		SCALE 4:1 SHEET 2 OF 24 REV K6

LOC		DIST		REVISIONS			
P	LTN	DESCRIPTION	DATE	DWN	APVD		
-		SEE SHEET 1	-	-	-		



FOR P/N:6450832-2, OTHER DIMENSIONS PLEASE SEE TABLE

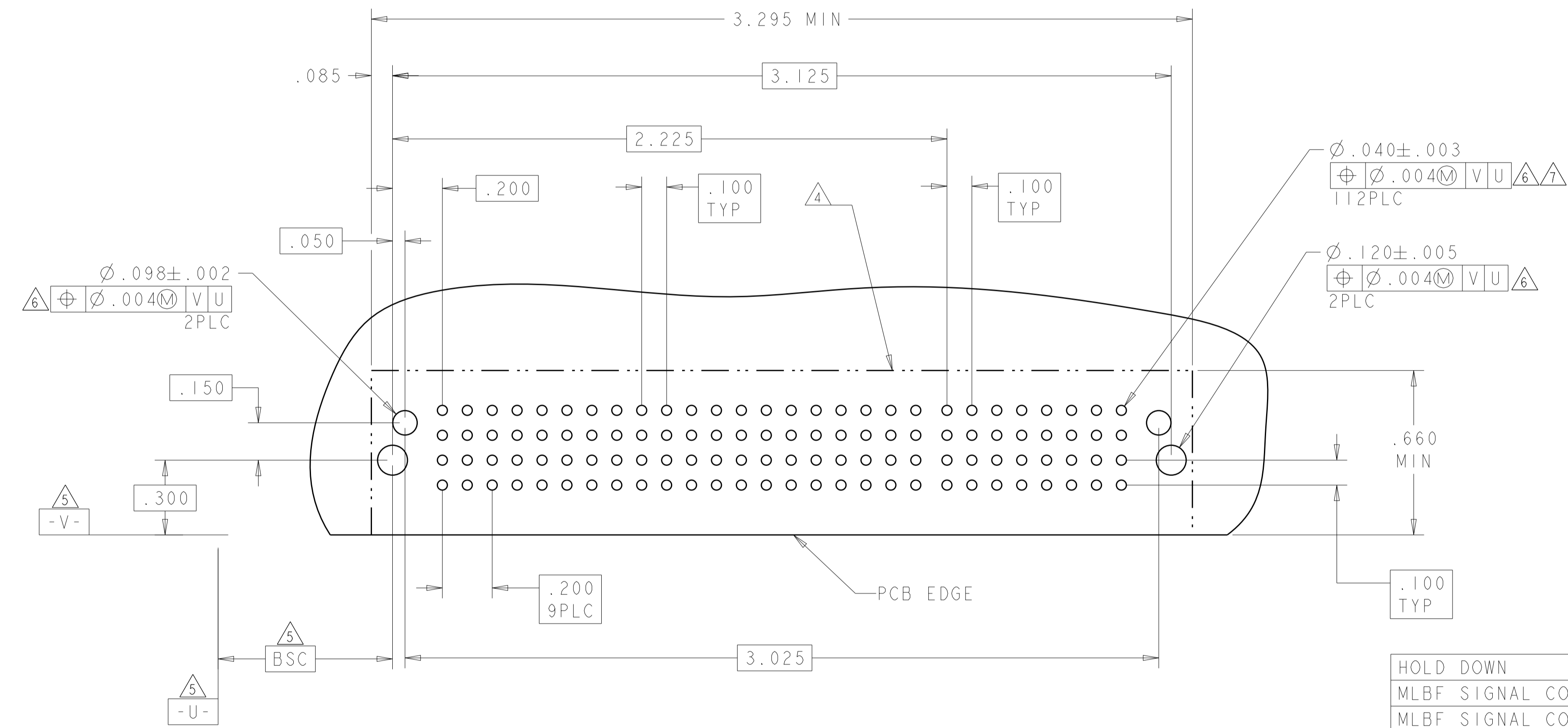


FOR P/N:6450832-8 AND 3-6450832-1, OTHER DIMENSIONS PLEASE SEE SHEET 1

THIS DRAWING IS A CONTROLLED DOCUMENT.		DWN H. LIU 27MAY2008	
		CHK S. ZHAO 27MAY2008	
DIMENSIONS:	TOLERANCES UNLESS OTHERWISE SPECIFIED:	APVD S. ZHAO	NAME R/A HEADER WITH SHORT GUIDES AND LP CONTACTS ASSEMBLY MULTI-BEAM XLE
INCHES	0 PLC ±. 1 PLC ±.01 2 PLC ±.01 3 PLC ±.005 4 PLC ±.0020	PRODUCT SPEC 108-2292	SIZE A100779
	ANGLES M7°	APPLICATION SPEC 114-13251	DRAWING NO C=6450832
MATERIAL	FINISH	WEIGHT	RESTRICTED TO
CUSTOMER DRAWING		SCALE 4:1	SHEET 3 OF 24

LOC		DIST		REVISIONS			
P	LTN	DESCRIPTION	DATE	DMN	APVD		
-	-	SEE SHEET 1	-	-	-	-	-

PART NUMBER	ROWS	POWER										SIGNAL							
		P1	P2	P3	P4	P5	P6	P7	P8	P9	P10	1	2	3	4	5	6	7	8
6450832-1	D C B A	TM	TM	TM	TM	TM	TM	TM	TM	TM	TM	J	J	J	J	J	J	J	J
		TM	TM	TM	TM	TM	TM	TM	TM	TM	TM	K	K	K	K	K	K	K	K
		TM	TM	TM	TM	TM	TM	TM	TM	TM	TM	N	N	N	N	N	G	N	N
		TM	TM	TM	TM	TM	TM	TM	TM	TM	TM	S	S	S	S	S	S	S	S
10HDP + 32S		HD		HD		HD		HD		HD		HD		HD		HD		HD	



DESCRIPTION	IDENTIFIER
HOLD DOWN	HD
MLBF SIGNAL CONTACT, .135 TAIL LENGTH, ROW D	E
MLBF SIGNAL CONTACT, .135 TAIL LENGTH, ROW C	F
MLBF SIGNAL CONTACT, .135 TAIL LENGTH, ROW B	G
MLBF SIGNAL CONTACT, .135 TAIL LENGTH, ROW A	H
MFBL SIGNAL CONTACT, .135 TAIL LENGTH, ROW D	FJ
MFBL SIGNAL CONTACT, .135 TAIL LENGTH, ROW C	FK
MFBL SIGNAL CONTACT, .135 TAIL LENGTH, ROW B	FN
MFBL SIGNAL CONTACT, .135 TAIL LENGTH, ROW A	FS
STANDARD SIGNAL CONTACT, .135 TAIL LENGTH, ROW D	J
STANDARD SIGNAL CONTACT, .135 TAIL LENGTH, ROW C	K
STANDARD SIGNAL CONTACT, .135 TAIL LENGTH, ROW B	N
STANDARD SIGNAL CONTACT, .135 TAIL LENGTH, ROW A	S
MFBL LOWER POWER CONTACT, .135 TAIL LENGTH.	LMF
STD LOWER POWER CONTACT, .135 TAIL LENGTH	LM
3-BEAM POWER CONTACT, .135 TAIL LENGTH	TM

THIS DRAWING IS A CONTROLLED DOCUMENT.

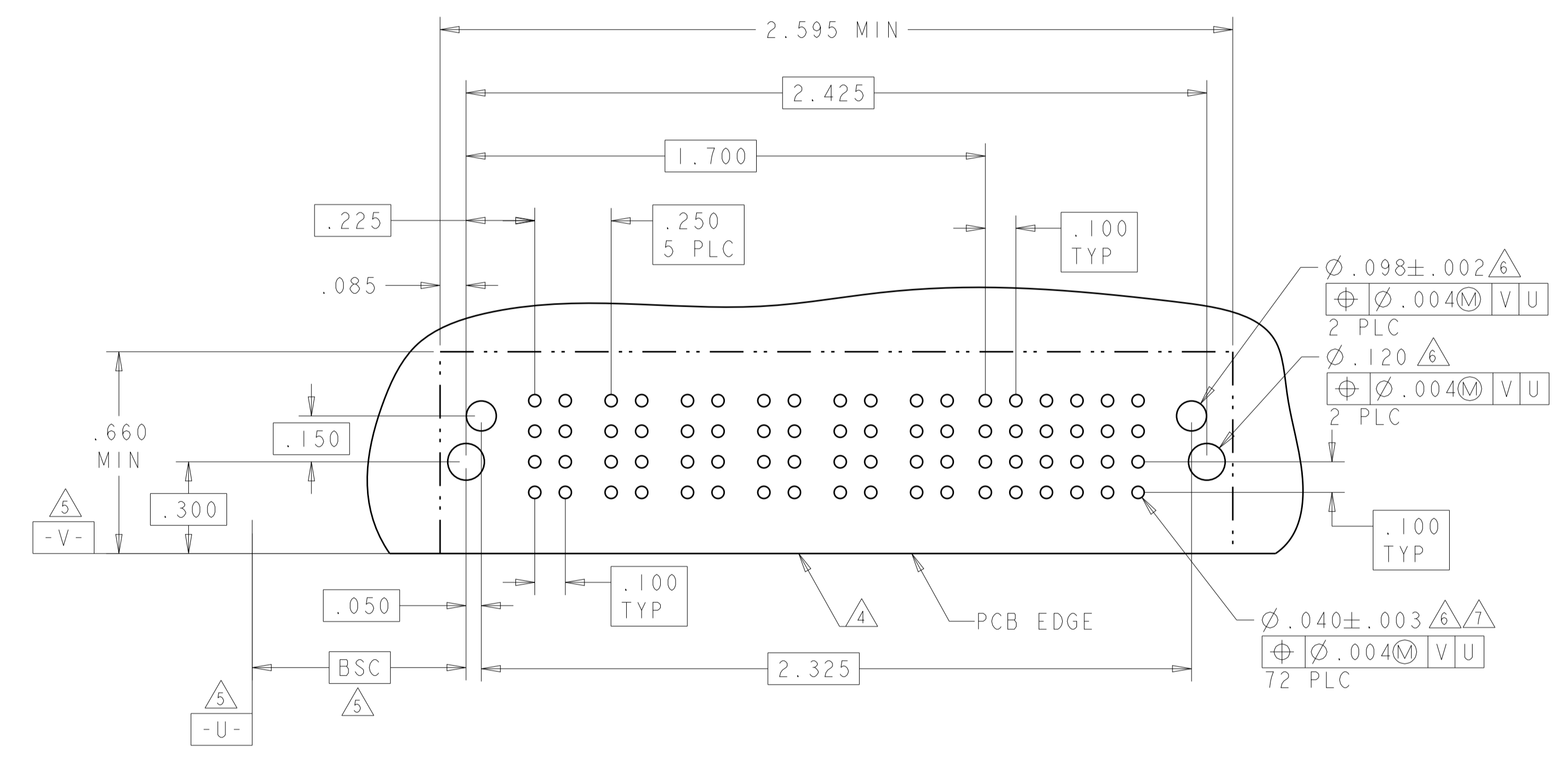
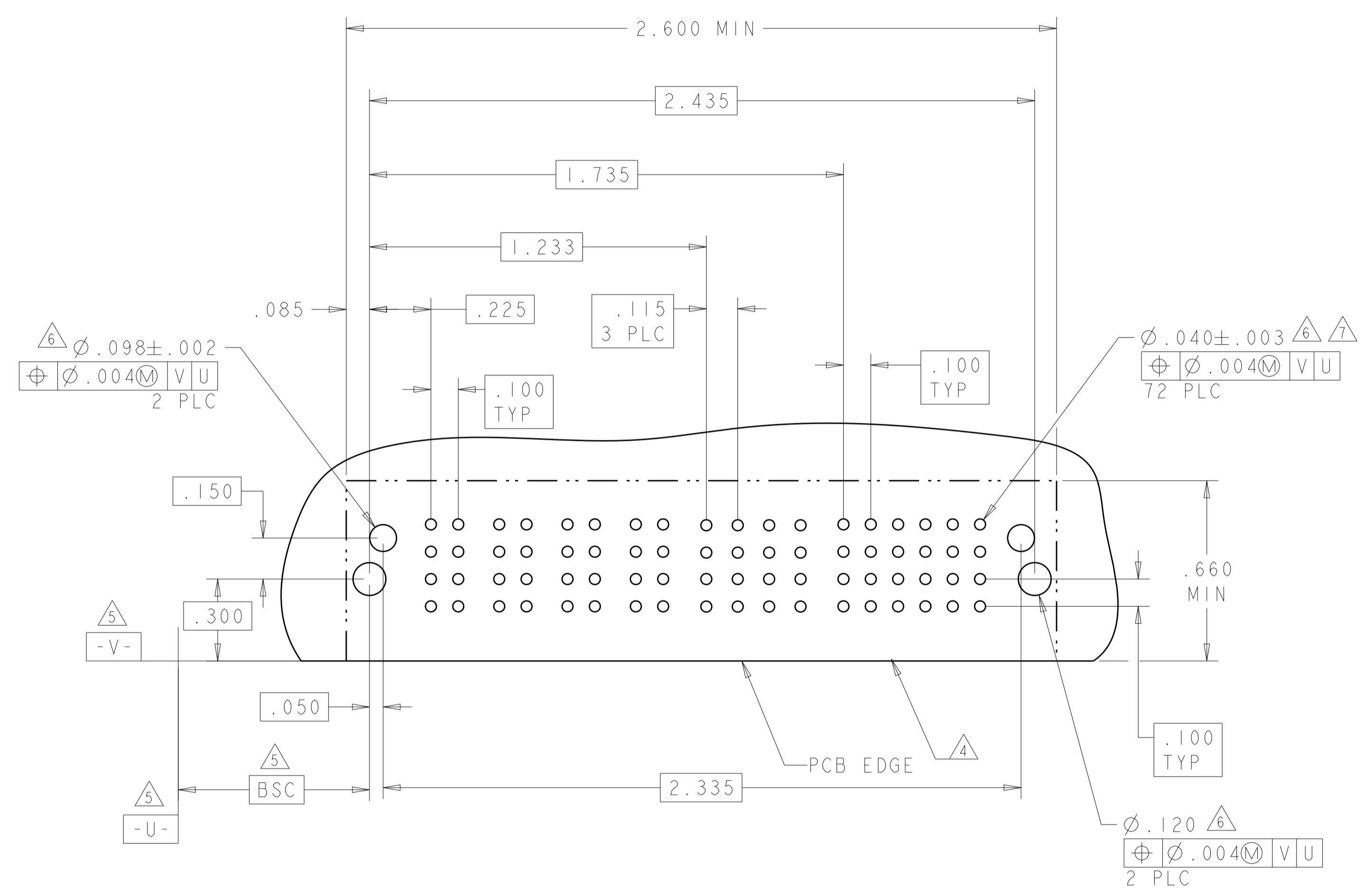
DMN: H. LIU	27MAY2008	TE Connectivity
CHK: S. ZHAO	27MAY2008	
APVD: S. ZHAO		NAME: R/A HEADER WITH SHORT GUIDES AND LP CONTACTS ASSEMBLY PRODUCT SPEC: 108-2292 APPLICATION SPEC: 114-13251 SIZE: A100779 CAGE CODE: 6450832 DRAWING NO: 6450832
DIMENSIONS: INCHES TOLERANCES UNLESS OTHERWISE SPECIFIED: 0 PLC ±. 1 PLC ±.01 2 PLC ±.01 3 PLC ±.005 4 PLC ±.0020 ANGLES ±.0°		RESTRICTED TO: - SCALE: 4:1 SHEET: 4 OF 24 REV: K6

CUSTOMER DRAWING

LOC	DIST	REVISIONS			
P	LTM	DESCRIPTION	DATE	DMN	APVD
-	-	SEE SHEET 1	-	-	-

PART NUMBER	ROWS	POWER								SIGNAL							
		P1	P2	P3	P4	P5	P6	P7	P8	1	2	3	4	5	6		
6450832-2	D	TM	TM	TM	TM	LM	LM	LM	LM	J	J	J	J	J	J		
	C	TM	TM	TM	TM	LM	LM	LM	LM	K	K	K	K	K	K		
	B	TM	TM	TM	TM	LM	LM	LM	LM	N	N	N	N	N	N		
	A	TM	TM	TM	TM	LM	LM	LM	LM	S	S	S	S	S	S		
		HD									HD						
		4P + 4LP + 24S															

PART NUMBER	ROWS	POWER						SIGNAL							
		P1	P2	P3	P4	P5	P6	1	2	3	4	5	6		
6450832-3	D	TM	TM	TM	TM	TM	TM	J	J	J	J	J	J		
	C	TM	TM	TM	TM	TM	TM	K	K	K	K	K	K		
	B	TM	TM	TM	TM	TM	TM	N	N	N	N	N	N		
	A	TM	TM	TM	TM	TM	TM	S	S	S	S	S	S		
		HD							HD						
		6P + 24S													



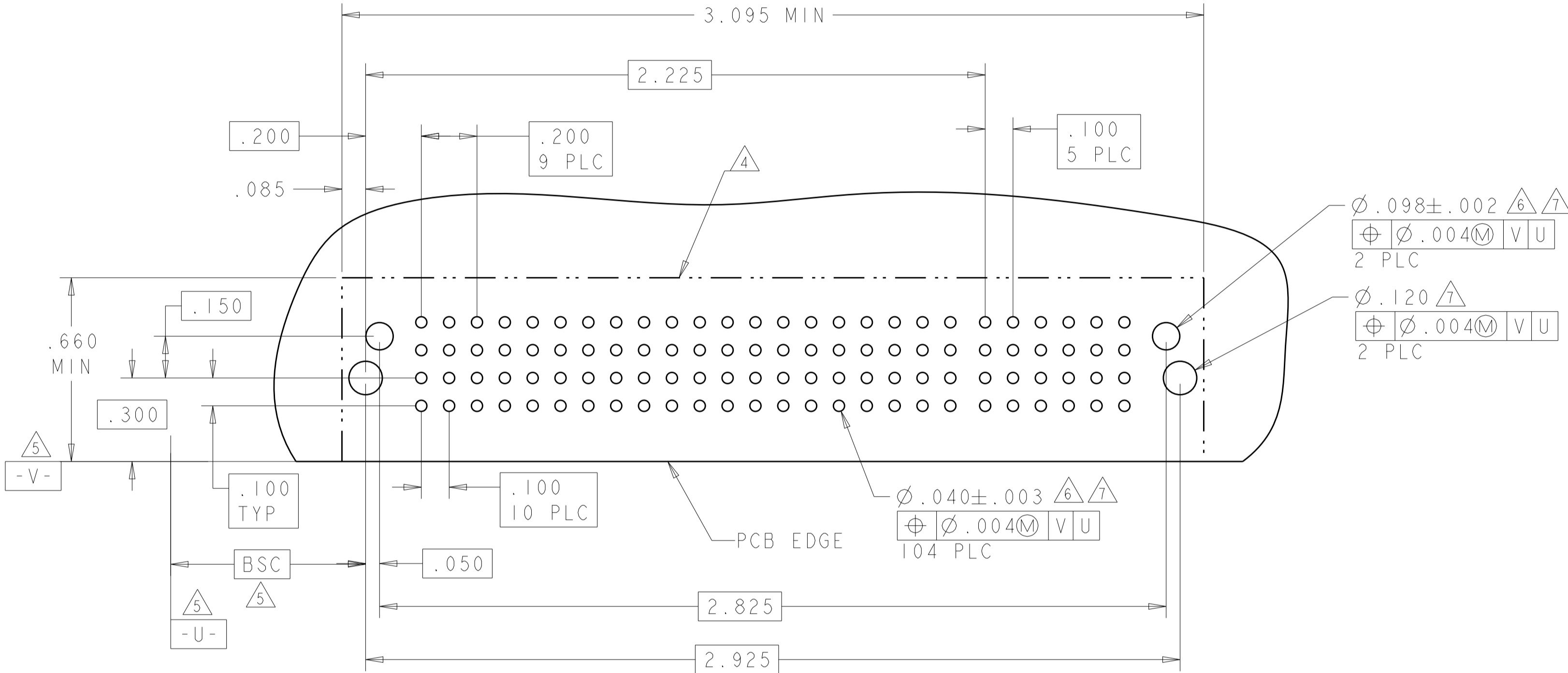
THIS DRAWING IS A CONTROLLED DOCUMENT.		DMN: H.LIU 27MAY2008	<b>STE</b> TE Connectivity
DIMENSIONS: INCHES		CHK: S.ZHAO 27MAY2008	
TOLERANCES UNLESS OTHERWISE SPECIFIED:		APVD: S.ZHAO	NAME: R/A HEADER WITH SHORT GUIDES AND LP CONTACTS ASSEMBLY MULTI-BEAM XLE
0 PLC ±.01		PRODUCT SPEC: 108-2292	SIZE: A1
1 PLC ±.01		APPLICATION SPEC: 114-13251	CAGE CODE: C=6450832
2 PLC ±.01		WEIGHT: -	SCALE: 4:1
3 PLC ±.005		CUSTOMER DRAWING	SHEET 5 OF 24
4 PLC ±.0020			REV: K6
ANGLES: ±.2°			
FINISH: -			

LOC	DIST	REVISIONS			
P	LTM	DESCRIPTION	DATE	OWN	APVD
-	-	SEE SHEET 1	-	-	-

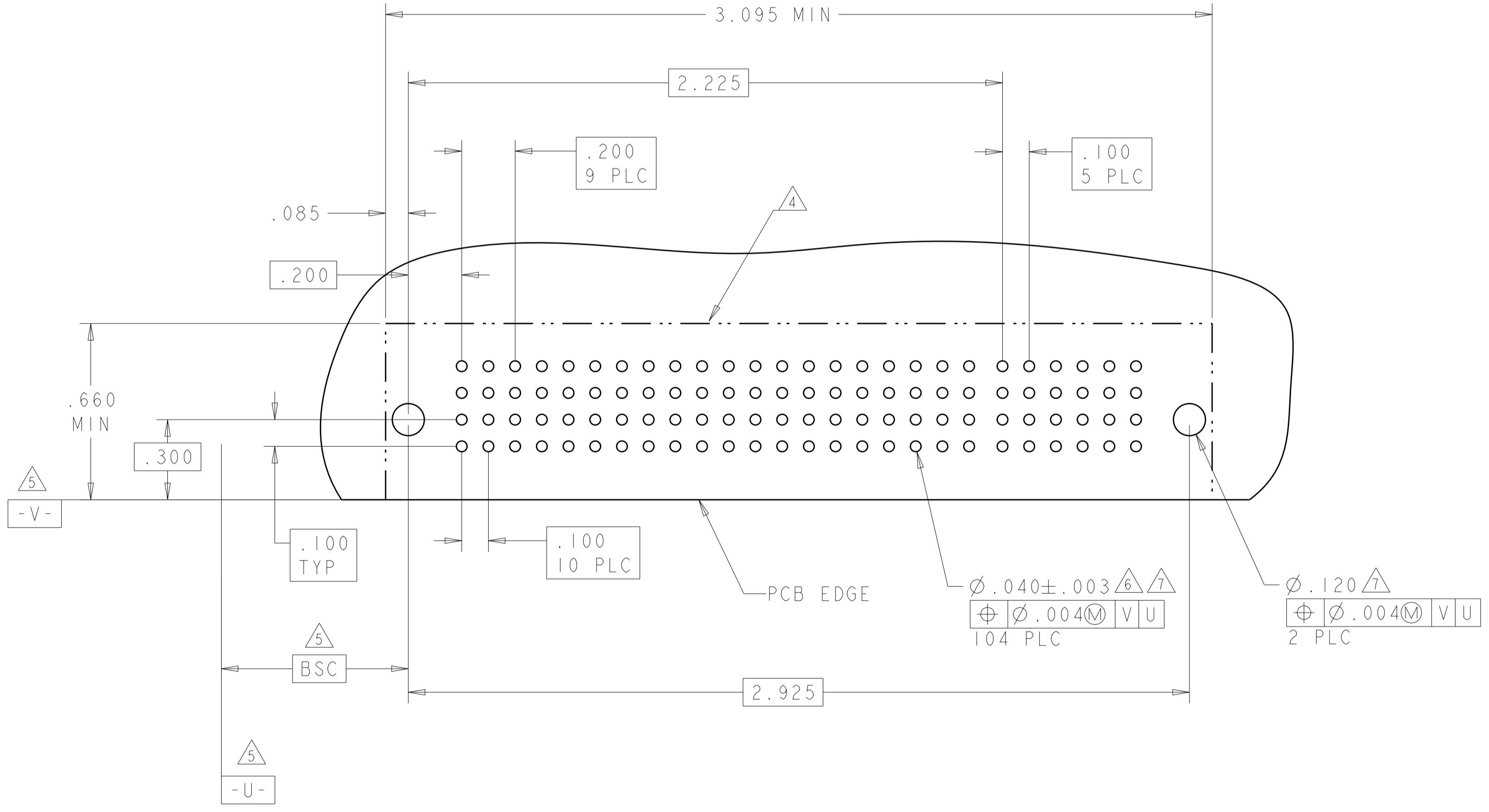
PART NUMBER	ROWS	POWER										SIGNAL					
		P1	P2	P3	P4	P5	P6	P7	P8	P9	P10	1	2	3	4	5	6
6450832-4	D C B A	TM	TM	TM	TM	TM	TM	TM	TM	TM	TM	J	J	J	J	J	J
		TM	TM	TM	TM	TM	TM	TM	TM	TM	TM	K	K	K	K	K	K
		TM	TM	TM	TM	TM	TM	TM	TM	TM	TM	N	N	N	N	N	N
10HDP + 24S											H	S	S	S	S	S	

PART NUMBER	ROWS	POWER										SIGNAL					
		P1	P2	P3	P4	P5	P6	P7	P8	P9	P10	1	2	3	4	5	6
6450832-5	D C B A	TM	TM	TM	TM	TM	TM	TM	TM	TM	TM	J	J	J	J	J	J
		TM	TM	TM	TM	TM	TM	TM	TM	TM	TM	K	K	K	K	K	K
		TM	TM	TM	TM	TM	TM	TM	TM	TM	TM	N	N	N	N	N	N
10HDP + 24S											H	S	S	S	S	S	

PART NUMBER	ROWS	POWER										SIGNAL					
		P1	P2	P3	P4	P5	P6	P7	P8	P9	P10	1	2	3	4	5	6
2-6450832-7	D C B A	TM	TM	TM	TM	TM	TM	TM	TM	TM	TM	J	J	J	J	J	J
		TM	TM	TM	TM	TM	TM	TM	TM	TM	TM	K	K	K	K	K	K
		TM	TM	TM	TM	TM	TM	TM	TM	TM	TM	N	N	N	N	N	N
10HDP + 24S											H	S	S	S	S	S	



$\varnothing .098 \pm .002$  2 PLC  
 $\varnothing .120$  2 PLC  
 $\varnothing .040 \pm .003$  104 PLC

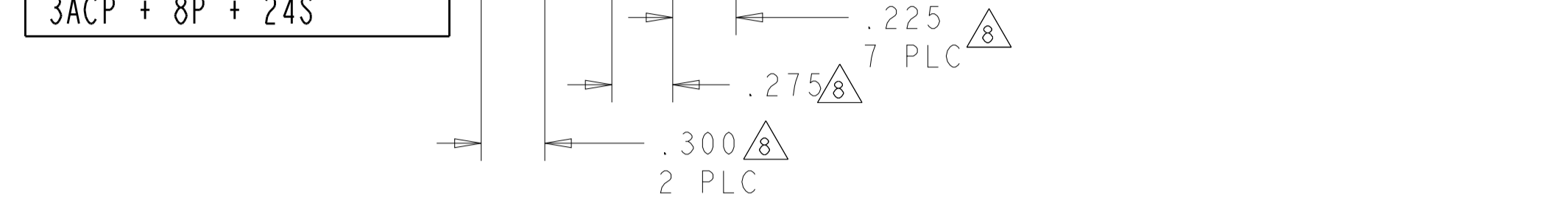


PCB LAYOUT FOR P/N: 6450832-5 AND 2-6450832-7

THIS DRAWING IS A CONTROLLED DOCUMENT.		OWN: H. LIU 27MAY2008	TE Connectivity
DIMENSIONS: INCHES		CHK: S. ZHAO 27MAY2008	
TOLERANCES UNLESS OTHERWISE SPECIFIED:		APVD: S. ZHAO	NAME: R/A HEADER WITH SHORT GUIDES AND LP CONTACTS ASSEMBLY
0 PLC ± .01		PRODUCT SPEC: 108-2292	MULTI-BEAM XLE
1 PLC ± .01		APPLICATION SPEC: 114-13251	SIZE: A1
2 PLC ± .005		WEIGHT: -	CAGE CODE: 6450832
3 PLC ± .002		CUSTOMER DRAWING	SCALE: 4:1 SHEET 6 OF 24 REV: K6
ANGLES ± .0020			
FINISH: -			

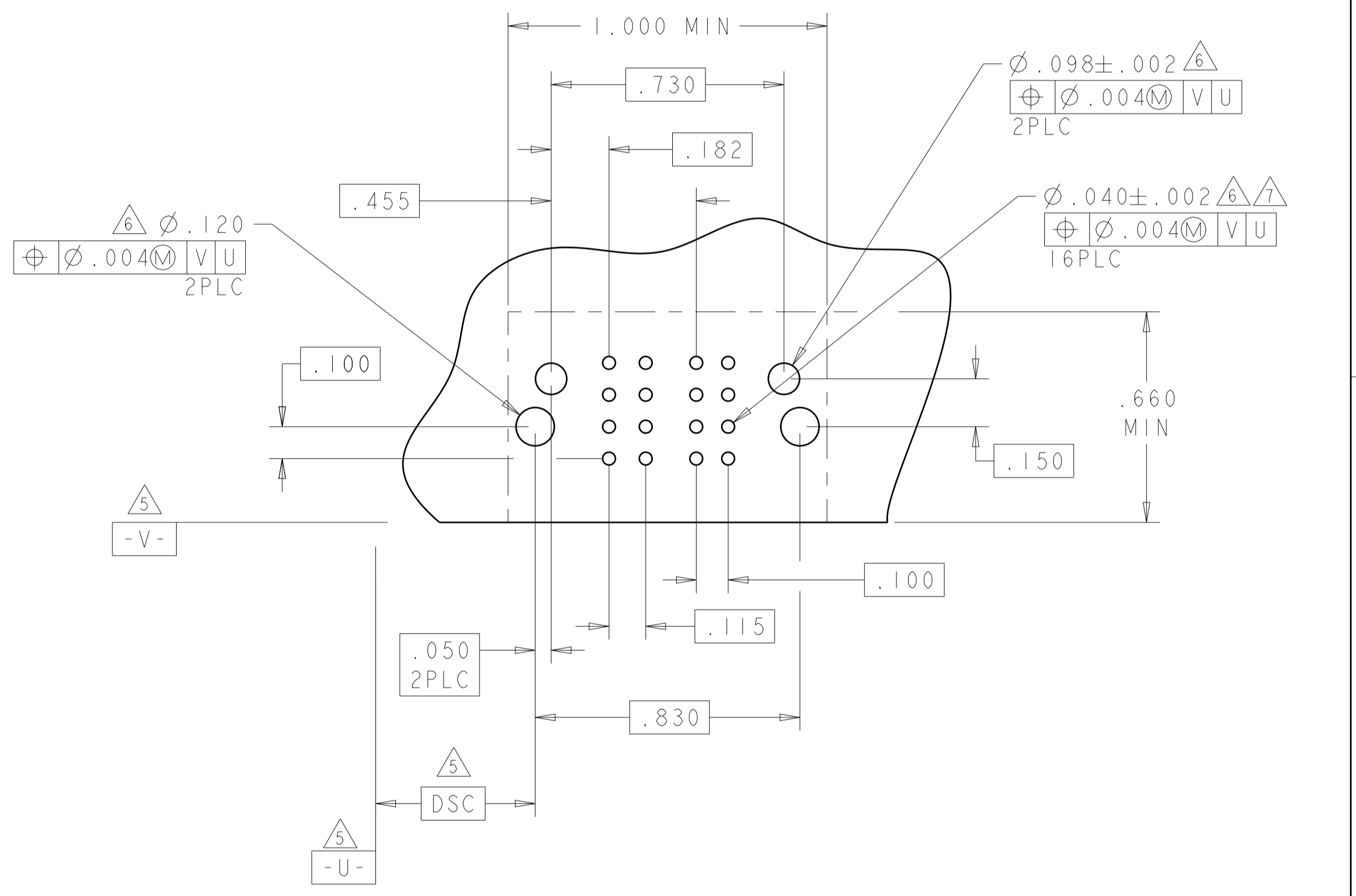
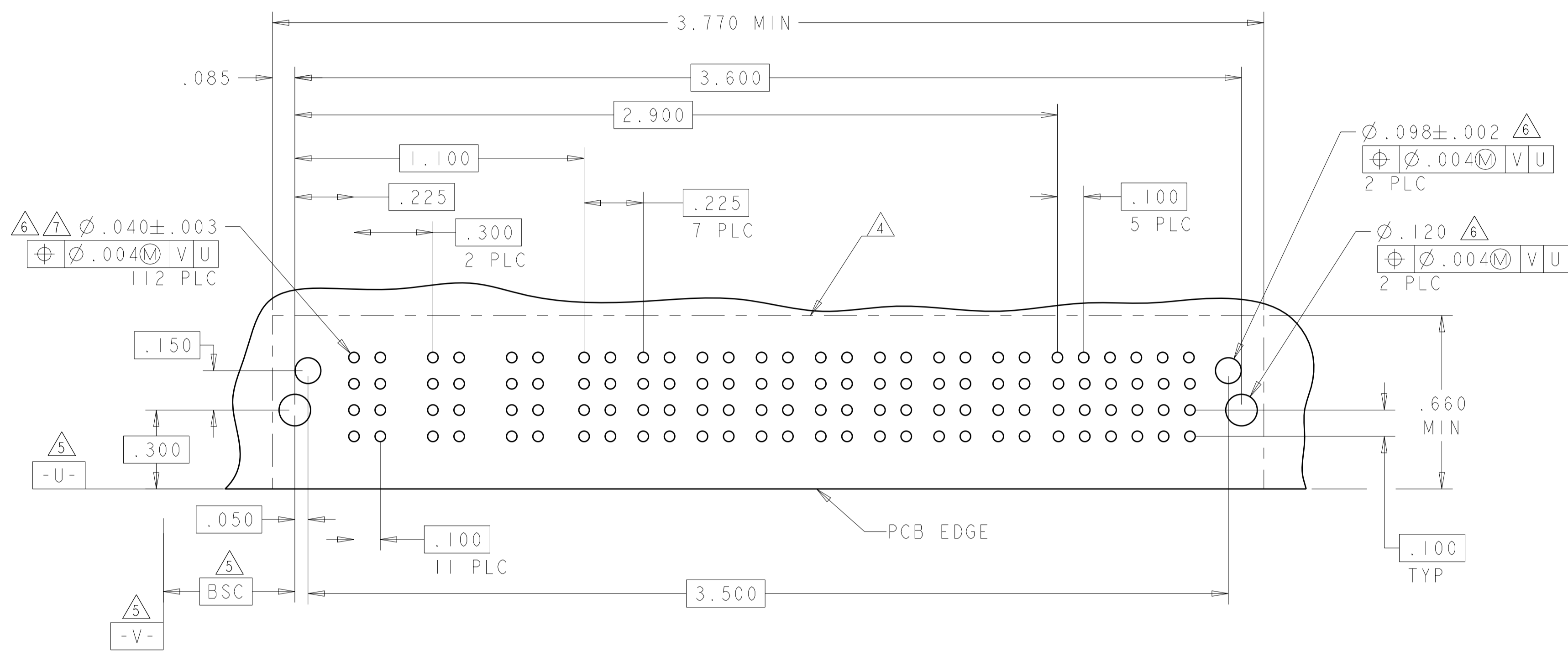
LOC		DIST		REVISIONS			
P	LTM	DESCRIPTION	DATE	DNM	APVD		
-	-	SEE SHEET 1	-	-	-		

PART NUMBER	ROWS	POWER											SIGNAL					
		P1	P2	P3	P4	P5	P6	P7	P8	P9	P10	P11	1	2	3	4	5	6
6450832-7	D C B A	TM	TM	TM	TM	TM	TM	TM	TM	TM	TM	TM	E	E	J	J	E	E
		K	F	K	K	K	K	K	K	K	K	K	N	G	G	G	G	G
		S	S	S	S	S	S	S	S	S	S	S	S	S	S	S	S	S



PART NUMBER	ROWS	POWER		SIGNAL	
		P1	P2	1	2
6450832-8	D C B A	LMF	LM	E	E
				F	F
				G	G
				H	H

2LP + 8S



THIS DRAWING IS A CONTROLLED DOCUMENT.		DNM H. LIU 27MAY2008	TE Connectivity
DIMENSIONS: INCHES		CHK S. ZHAO 27MAY2008	
TOLERANCES UNLESS OTHERWISE SPECIFIED:		APVD S. ZHAO	NAME R/A HEADER WITH SHORT GUIDES AND LP CONTACTS ASSEMBLY MULTI-BEAM XLE
0 PLC ±.01 2 PLC ±.01 3 PLC ±.01 4 PLC ±.005 ANGLES ±.0020		PRODUCT SPEC 108-2292	SIZE A100779
MATERIAL FINISH		APPLICATION SPEC 114-13251	RESTRICTED TO
		WEIGHT	SCALE 4:1 SHEET 7 OF 24 REV K6
		CUSTOMER DRAWING	

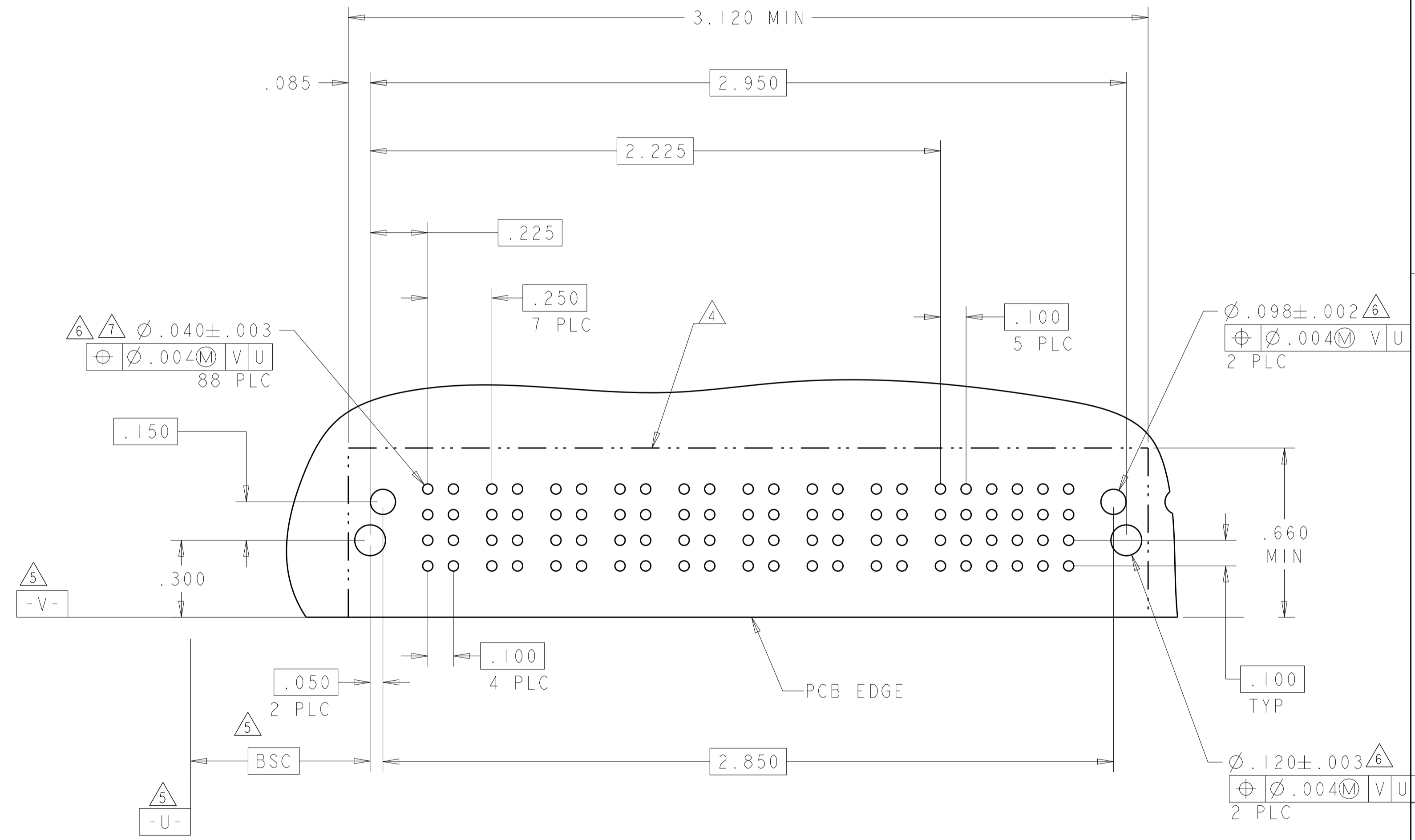
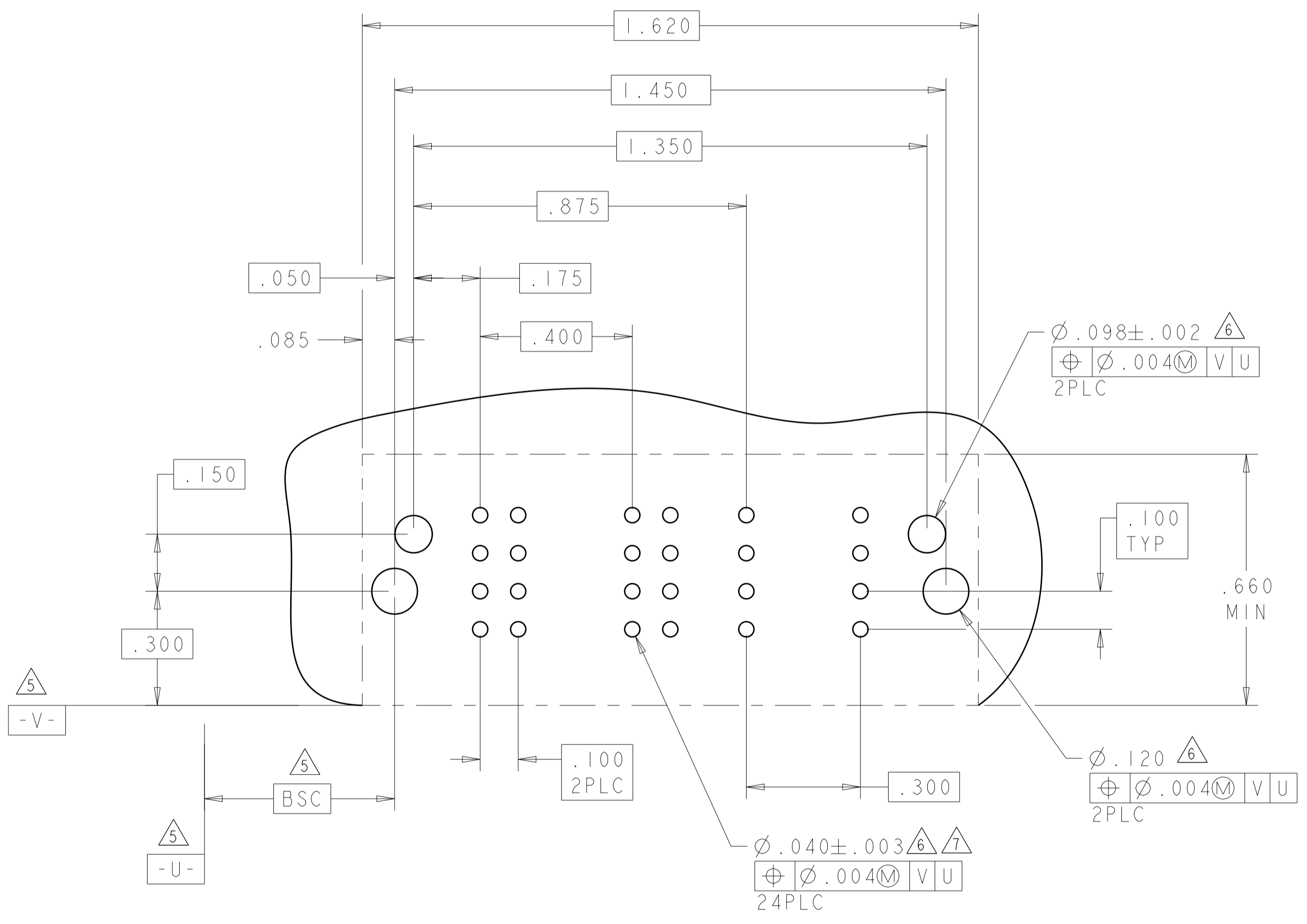
LOC	DIST	REVISIONS			
P	LTN	DESCRIPTION	DATE	DMN	APVD
-	-	SEE SHEET 1	-	-	-

PART NUMBER	ROWS	POWER			SIGNAL			
		P1	P2	P3	1	2	3	4
6450832-9	D C B A	TM	TM	TM	J			J
					K			K
					N			N
					S			S

PART NUMBER	ROWS	POWER								SIGNAL					
		P1	P2	P3	P4	P5	P6	P7	P8	1	2	3	4	5	6
3-6450832-4	D C B A	TM	TM	TM	TM	TM	TM	TM	TM	J	J	J	J	J	J
										K	K	K	K	K	K
										N	N	N	N	N	N
										S	S	S	S	S	S

2P + 8S  
 .400  
 NO LOADING CONTACTS

H9



THIS DRAWING IS A CONTROLLED DOCUMENT.

DIMENSIONS:	TOLERANCES UNLESS OTHERWISE SPECIFIED:	DMN: H.LIU 27MAY2008	CHK: S.ZHAO 27MAY2008	APVD: S.ZHAO	NAME: R/A HEADER WITH SHORT GUIDES AND LP CONTACTS ASSEMBLY MULTI-BEAM XLE
INCHES	0 PLC ±.01 2 PLC ±.01 3 PLC ±.01 4 PLC ±.005 ANGLES ±.020	PRODUCT SPEC: 108-2292	APPLICATION SPEC: 114-13251	SIZE: A1	SCALE: 4:1
MATERIAL:	FINISH:	WEIGHT:	CAGE CODE: 6450832	DRAWING NO: 100779	SHEET 8 OF 24

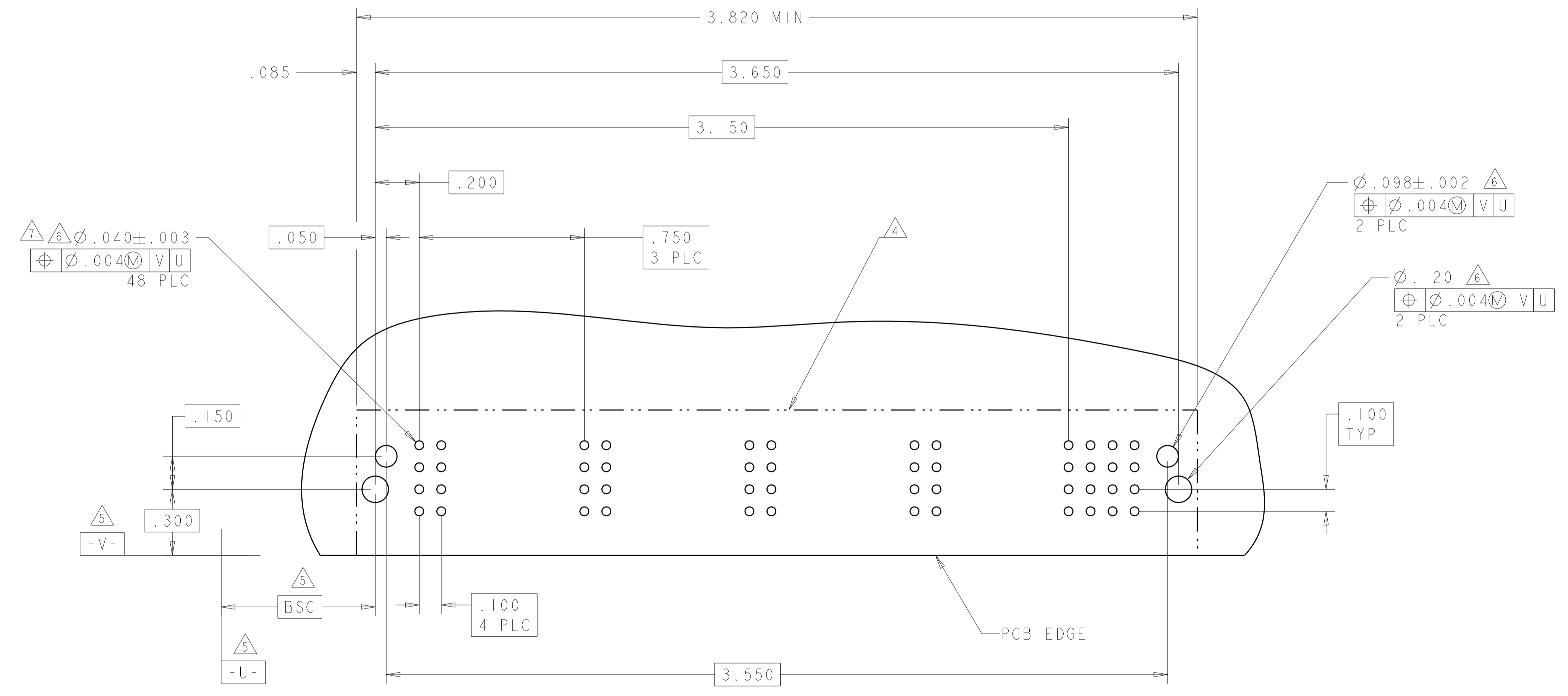
CUSTOMER DRAWING



LOC		DIST		REVISIONS			
P	LTN	DESCRIPTION	DATE	DWN	APVD		
-	-	SEE SHEET 1	-	-	-		

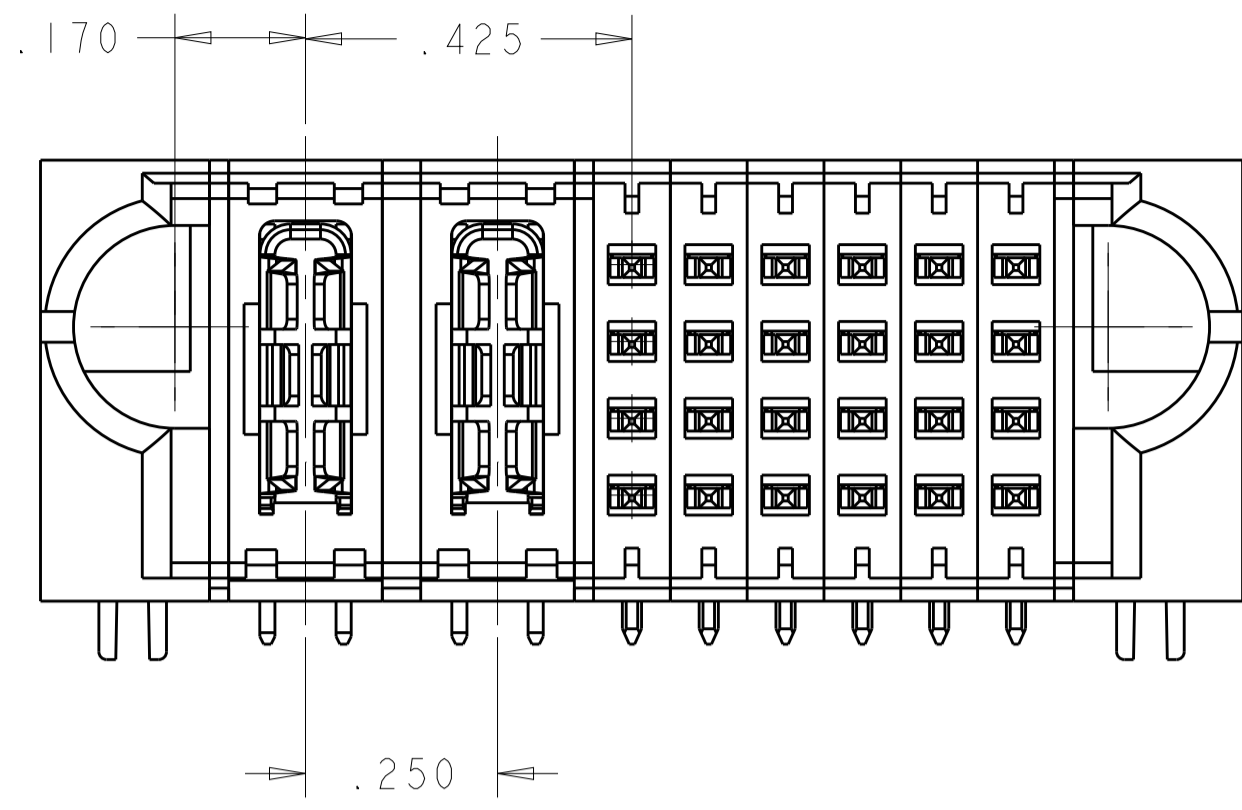
PART NUMBER	ROWS	POWER												SIGNAL			
		P1	P2	P3	P4	P5	P6	P7	P8	P9	P10	P11	P12	1	2	3	4
1-6450832-0	D	TM			TM			TM				TM		J	J	J	J
	C													K	K	K	K
	B													N	N	N	N
	A													S	S	S	S
12P + 16S		HD															

NO CONTACT LOADED



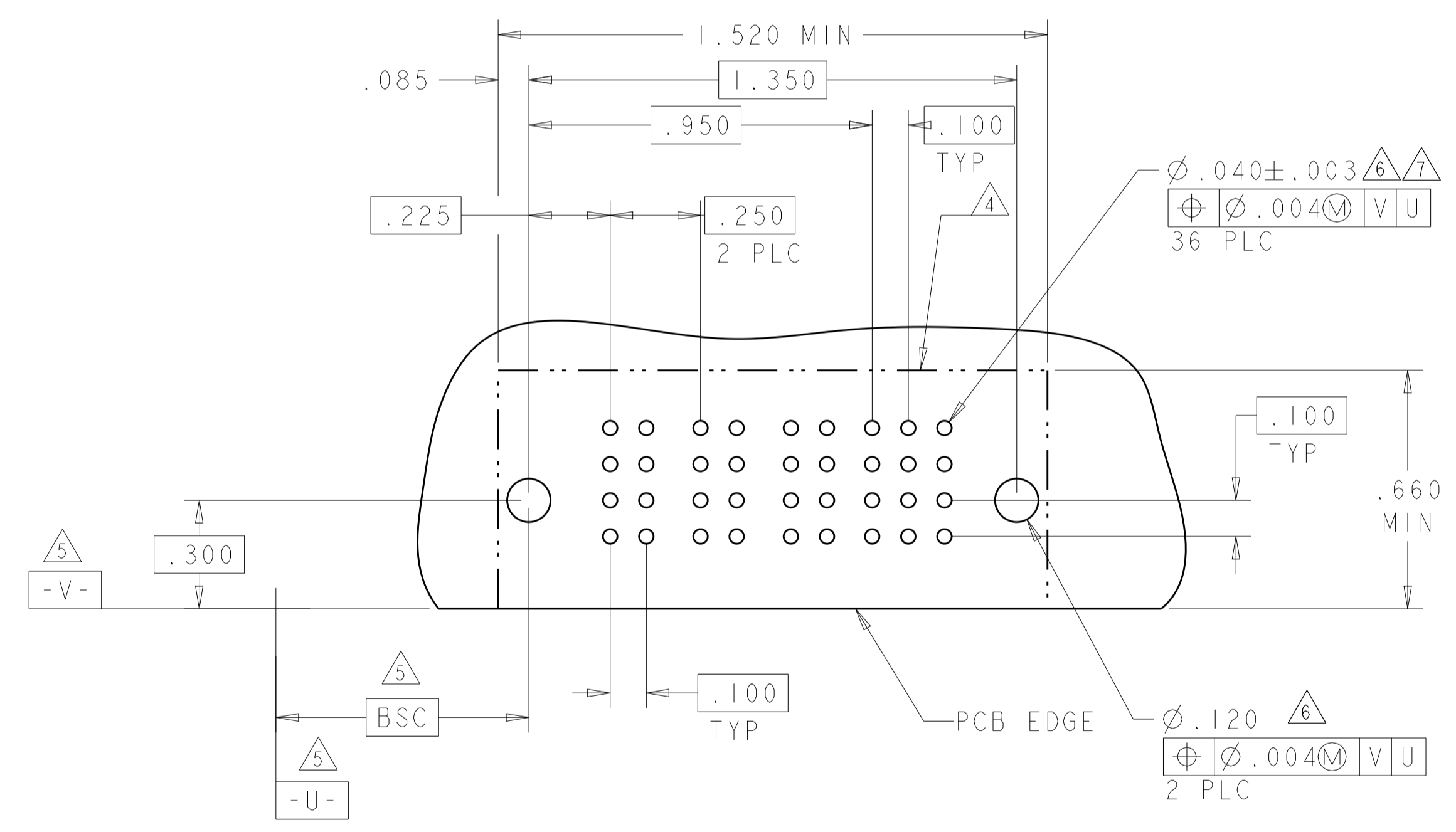
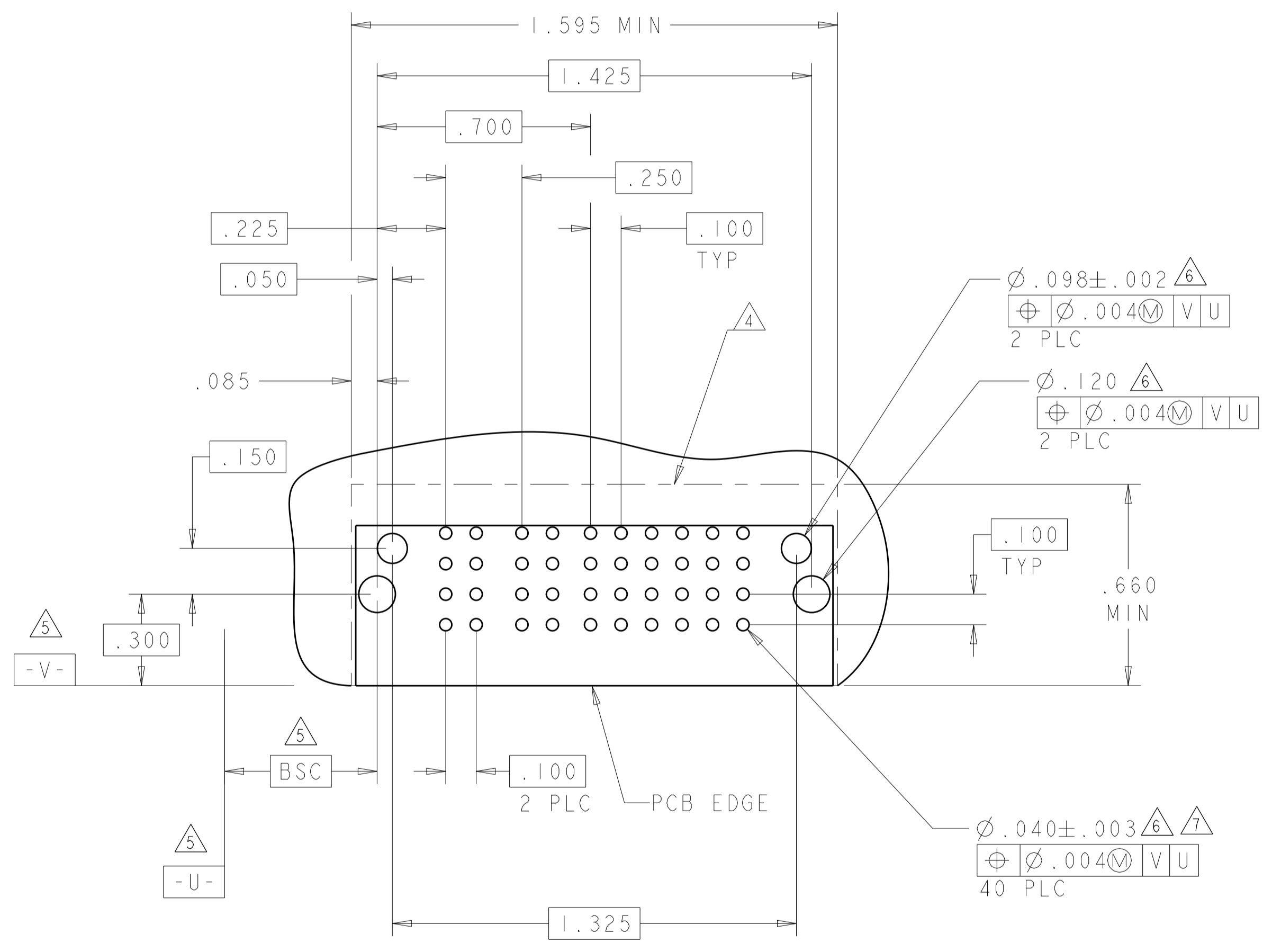
THIS DRAWING IS A CONTROLLED DOCUMENT.		DWN: H.LIU 27MAY2008	 TE Connectivity
DIMENSIONS: INCHES		CHK: S.ZHAO 27MAY2008	
TOLERANCES UNLESS OTHERWISE SPECIFIED: 0 PLC ±. 1 PLC ±.01 2 PLC ±.01 3 PLC ±.005 4 PLC ±.0020 ANGLES ±.2°		APVD: S.ZHAO	NAME: R/A HEADER WITH SHORT GUIDES AND LP CONTACTS ASSEMBLY
MATERIAL		FINISH	PRODUCT SPEC: 108-2292
			APPLICATION SPEC: 114-13251
			SIZE: A100779
			DRAWING NO: C=6450832
			RESTRICTED TO: -
			CUSTOMER DRAWING
			SCALE: 4:1 SHEET 9 OF 24 REV: K6


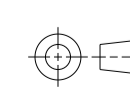
PART NUMBER	ROWS		POWER		SIGNAL					
			P1	P2	1	2	3	4	5	6
I-6450832-2	D	HD	TM	TM	J	J	J	J	J	J
	C				K	K	K	K	K	K
	B	N	N	N	N	N	N			
A	H	S	S	S	S	S				



PART VIEW I-6450832-2

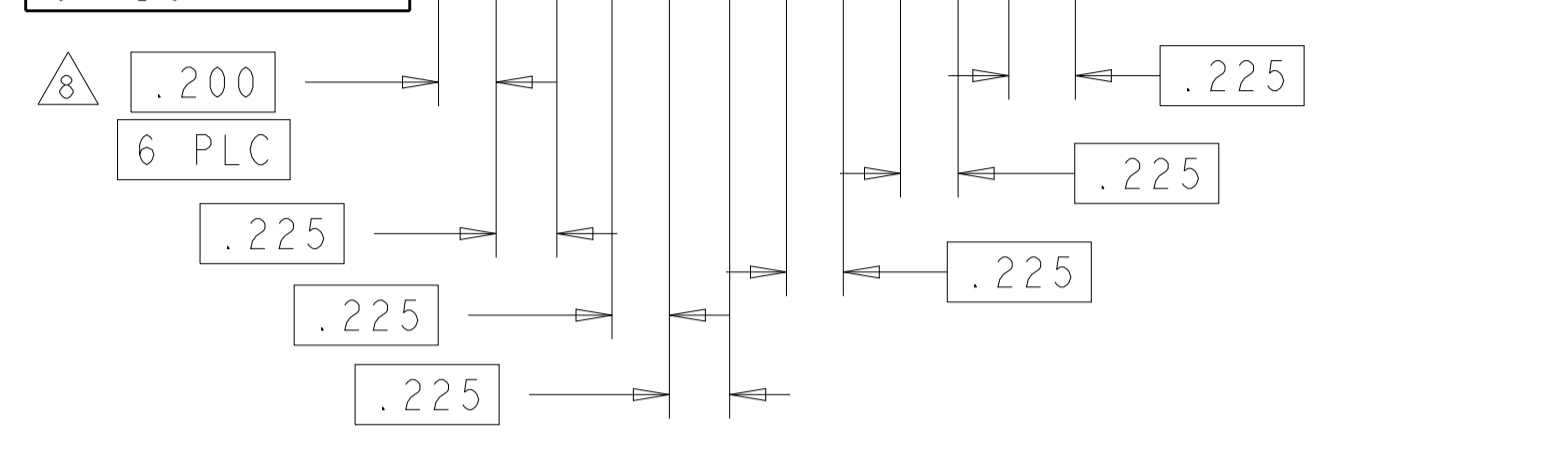
PART NUMBER	ROWS		POWER			SIGNAL		
			P1	P2	P3	1	2	3
I-6450832-4	D	HD	TM	TM	TM	J	J	J
	C					K	F	K
	B					N	G	N
	A					S	S	S



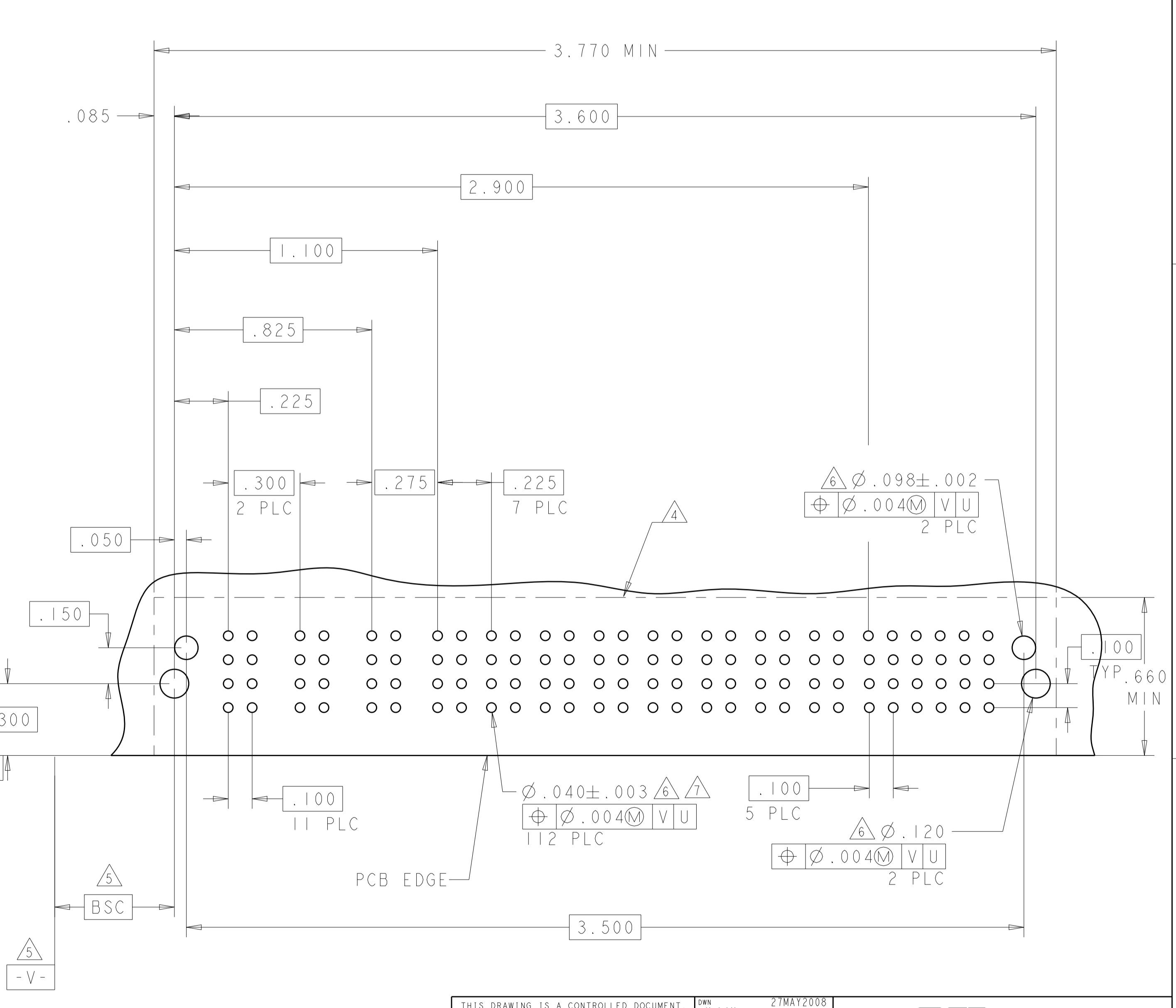
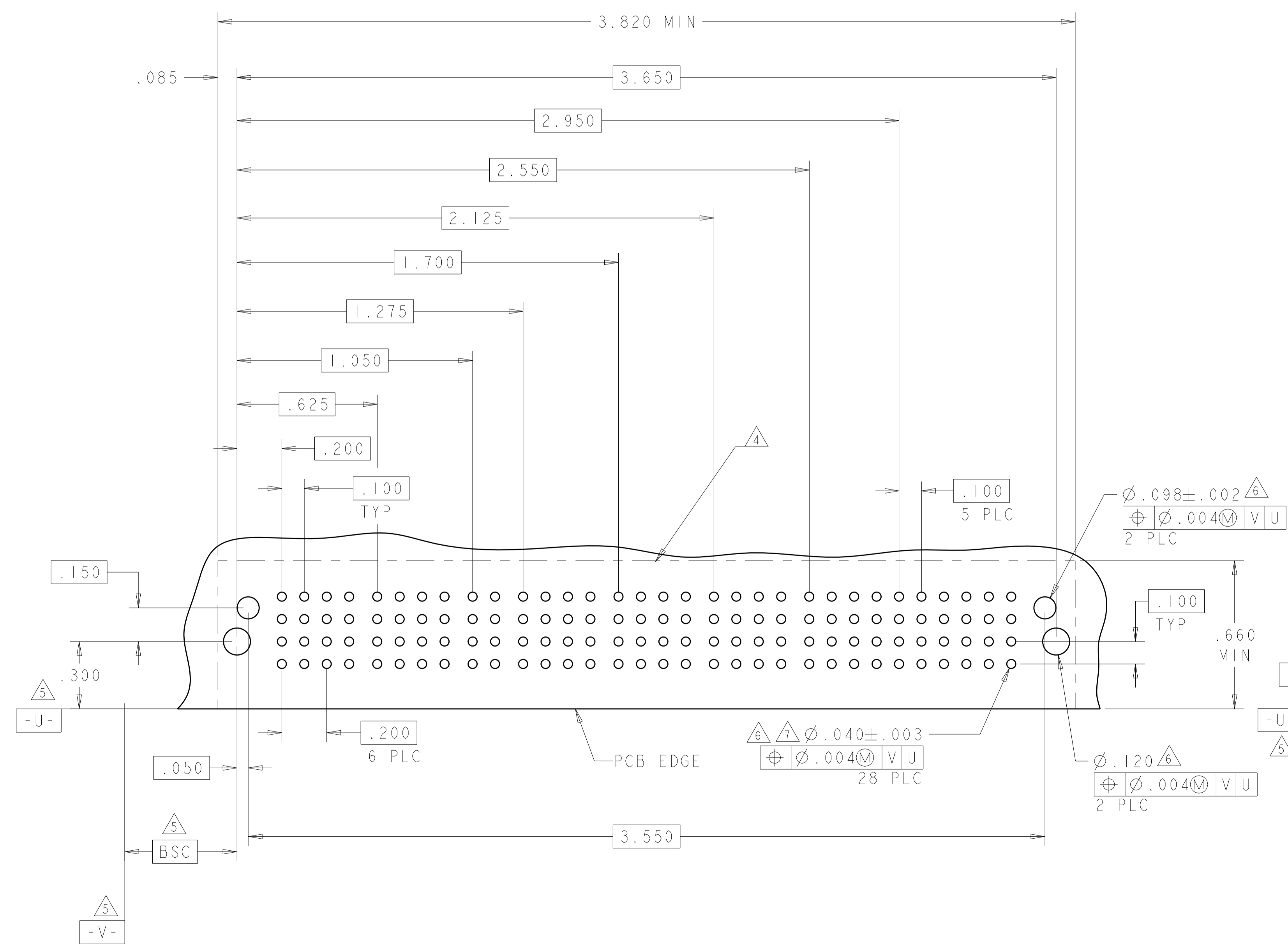
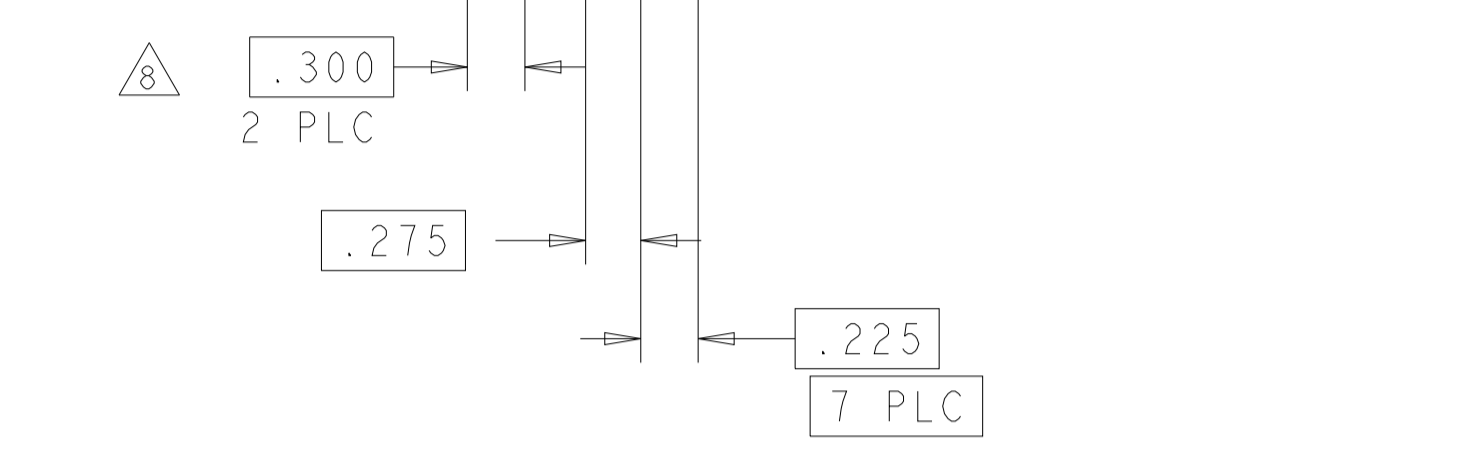
THIS DRAWING IS A CONTROLLED DOCUMENT.		OWN: H.LIU 27MAY2008	 TE Connectivity
		CHK: S.ZHAO 27MAY2008	
DIMENSIONS:	TOLERANCES UNLESS OTHERWISE SPECIFIED:	APVD: S.ZHAO	NAME: R/A HEADER WITH SHORT GUIDES AND LP CONTACTS ASSEMBLY MULTI-BEAM XLE
INCHES	0 PLC ±.01 2 PLC ±.01 3 PLC ±.01 4 PLC ±.005 ANGLES ±.0020	PRODUCT SPEC: 108-2292	RESTRICTED TO:
	FINISH: #2	APPLICATION SPEC: 114-13251	SIZE: A 100779
MATERIAL:		WEIGHT: -	CAGE CODE: C=6450832
		CUSTOMER DRAWING	SCALE: 4:1 SHEET 10 OF 24 REV: K6

LOC		DIST		REVISIONS			
P	LTN	DESCRIPTION	DATE	DMN	APVD		
-	-	SEE SHEET 1	-	-	-		

PART NUMBER	ROWS	POWER											SIGNAL						
		P1	P2	P3	P4	P5	P6	P7	P8	P9	P10	P11	P12	P13	1	2	3	4	5
1-6450832-6	D C B A	TM	TM	TM	TM	TM	TM	TM	TM	TM	TM	TM	TM	E	E	J	J	E	E
													K	F	K	K	K	K	
													N	G	N	G	G	G	
													S	S	S	S	S	S	



PART NUMBER	ROWS	POWER											SIGNAL					
		P1	P2	P3	P4	P5	P6	P7	P8	P9	P10	P11	1	2	3	4	5	6
1-6450832-7	D C B A	TM	TM	TM	TM	TM	TM	TM	TM	TM	TM	TM	E	E	J	J	E	E
												K	F	K	K	K	K	
												N	G	N	G	G	G	
												S	S	S	S	S	S	



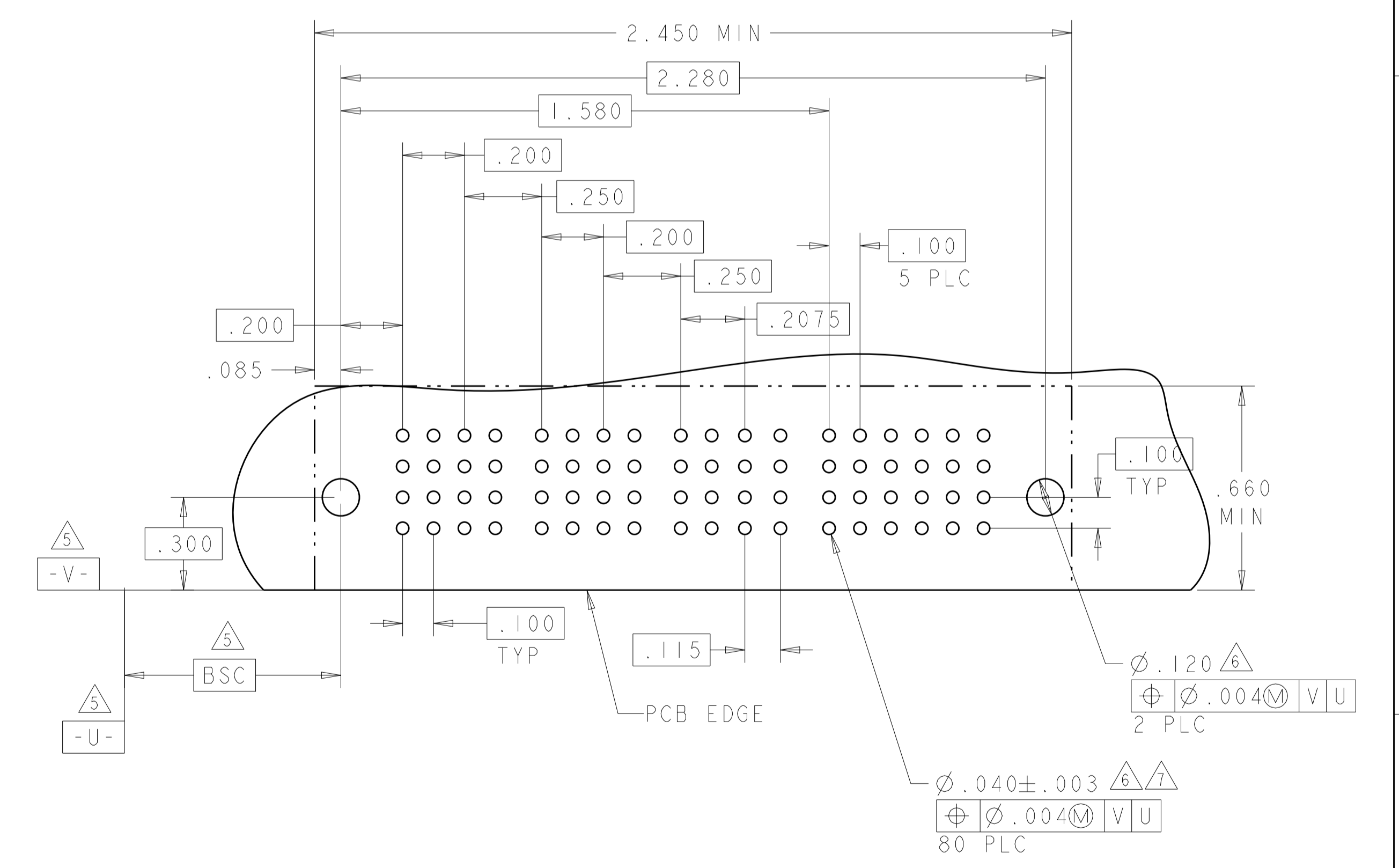
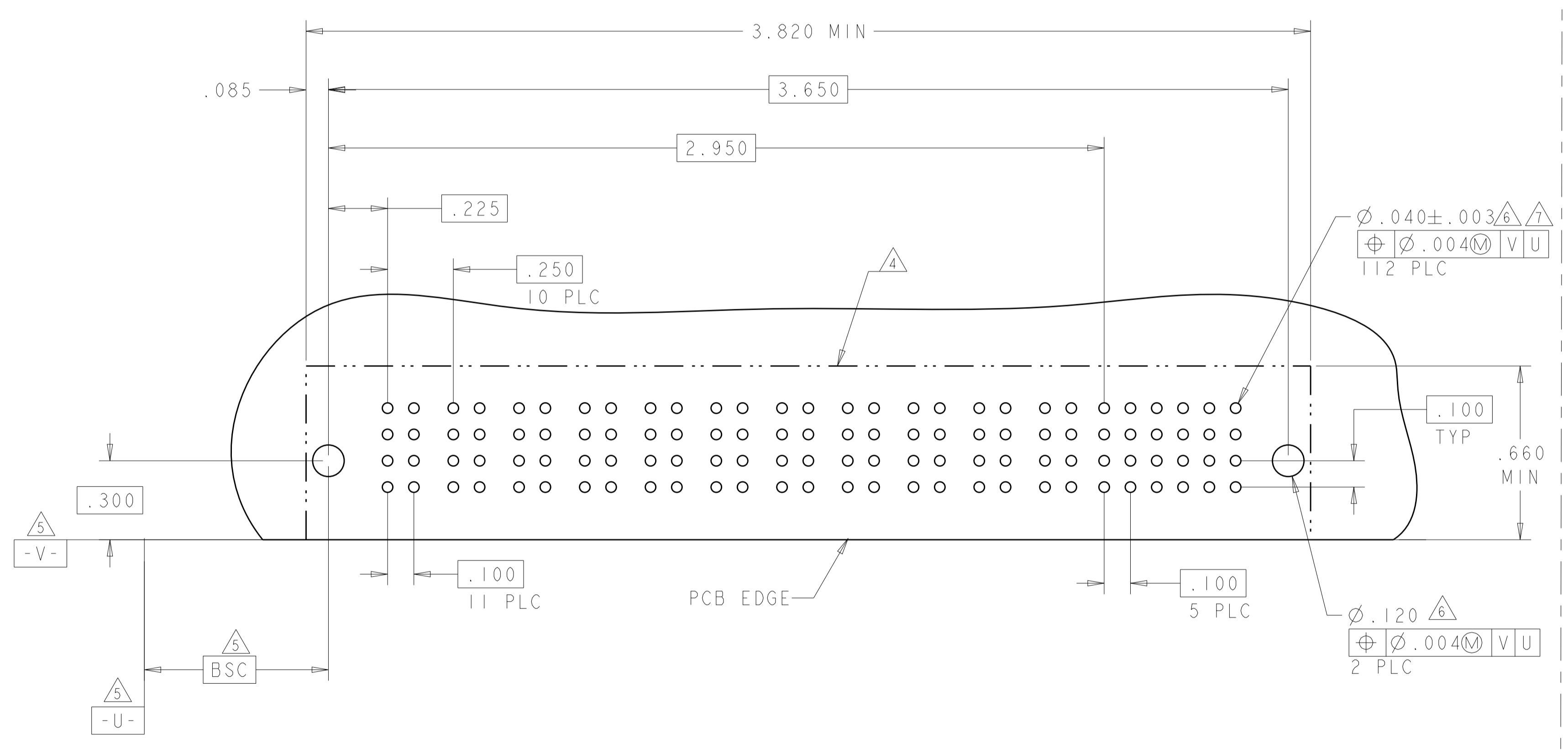
THIS DRAWING IS A CONTROLLED DOCUMENT.		DMN H. LIU 27MAY2008	 TE Connectivity
DIMENSIONS: INCHES		CHK S. ZHAO 27MAY2008	
TOLERANCES UNLESS OTHERWISE SPECIFIED:		APVD S. ZHAO	NAME R/A HEADER WITH SHORT GUIDES AND LP CONTACTS ASSEMBLY
0 PLC ±.01		PRODUCT SPEC	MULTI-BEAM XLE
1 PLC ±.01		APPLICATION SPEC	SIZE 114-13251
2 PLC ±.01		WEIGHT	RESTRICTED TO
3 PLC ±.005		CUSTOMER DRAWING	SCALE 4:1 SHEET 11 OF 24 REV K6
4 PLC ±.0020			
ANGLES ±.020			
FINISH			

LOC	DIST	REV	DATE	BY	APPV
		1			

PART NUMBER	ROWS	POWER										SIGNAL					
		P1	P2	P3	P4	P5	P6	P7	P8	P9	P10	P11	1	2	3	4	5
1-6450832-9	D											J	E	J	J	J	E
	C											K	K	F	F	K	F
	B	TM	TM	TM	TM	TM	TM	TM	TM	TM	TM	G	N	G	G	N	G
	A											S	S	S	S	H	H
11P + 24S																	

PART NUMBER	ROWS	POWER							SIGNAL					
		P1	P2	P3	P4	P5	LP1	LP2	1	2	3	4	5	6
2-6450832-0	D								J	F	J	J	J	J
	C								K	FK	K	K	F	F
	B	TM	TM	TM	TM	TM	LM	LMF	N	FN	N	N	FN	FN
	A								S	FS	H	S	H	H
5P + 2LP + 24S														

PART NUMBER	ROWS	POWER							SIGNAL					
		P1	P2	P3	P4	P5	LP1	LP2	1	2	3	4	5	6
2-6450832-5	D								J	F	J	J	J	J
	C								K	FK	K	K	F	F
	B	TM	TM	TM	TM	TM	LMF	LMF	N	FN	N	N	FN	FN
	A								S	FS	H	S	H	H
5P + 2LP + 24S														



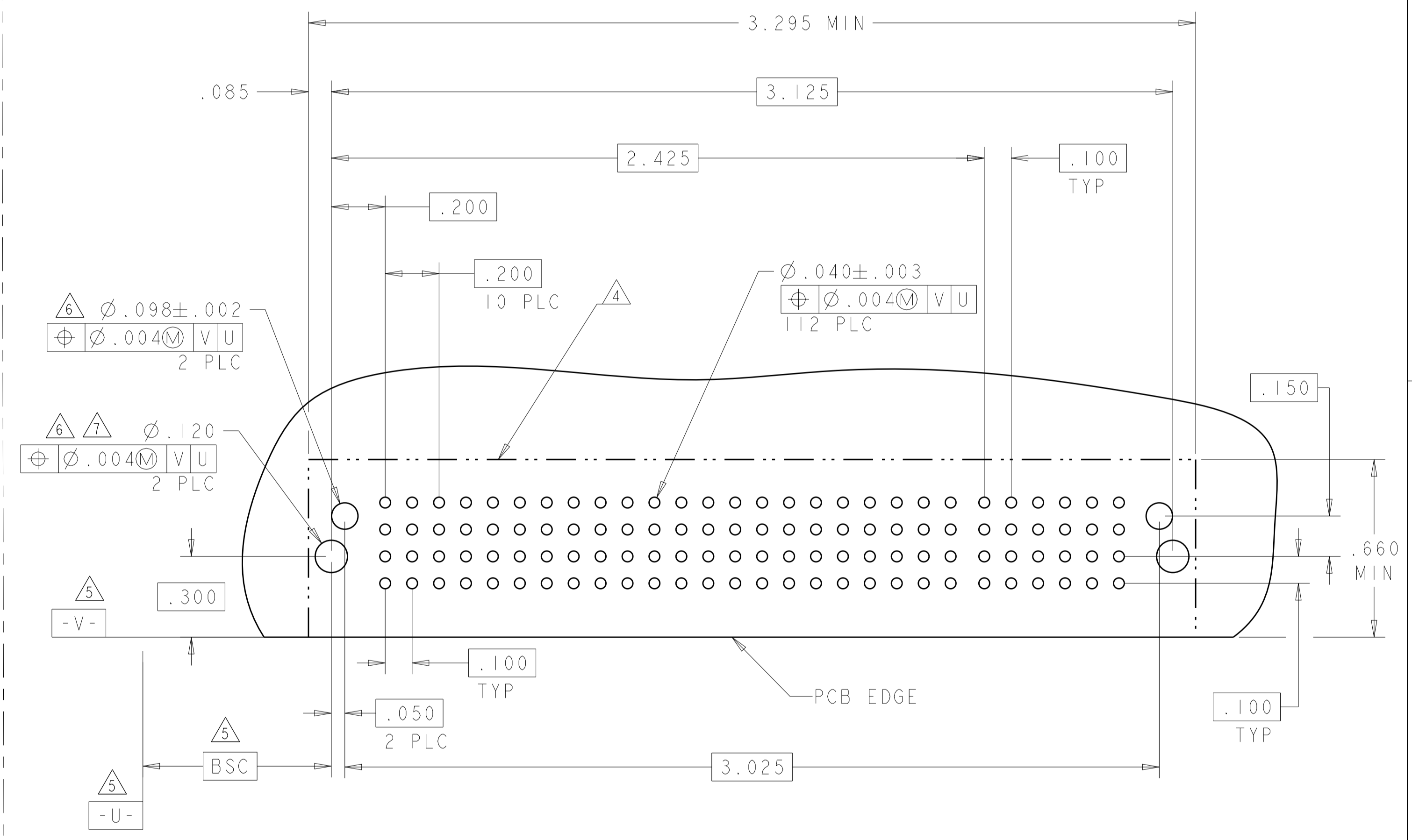
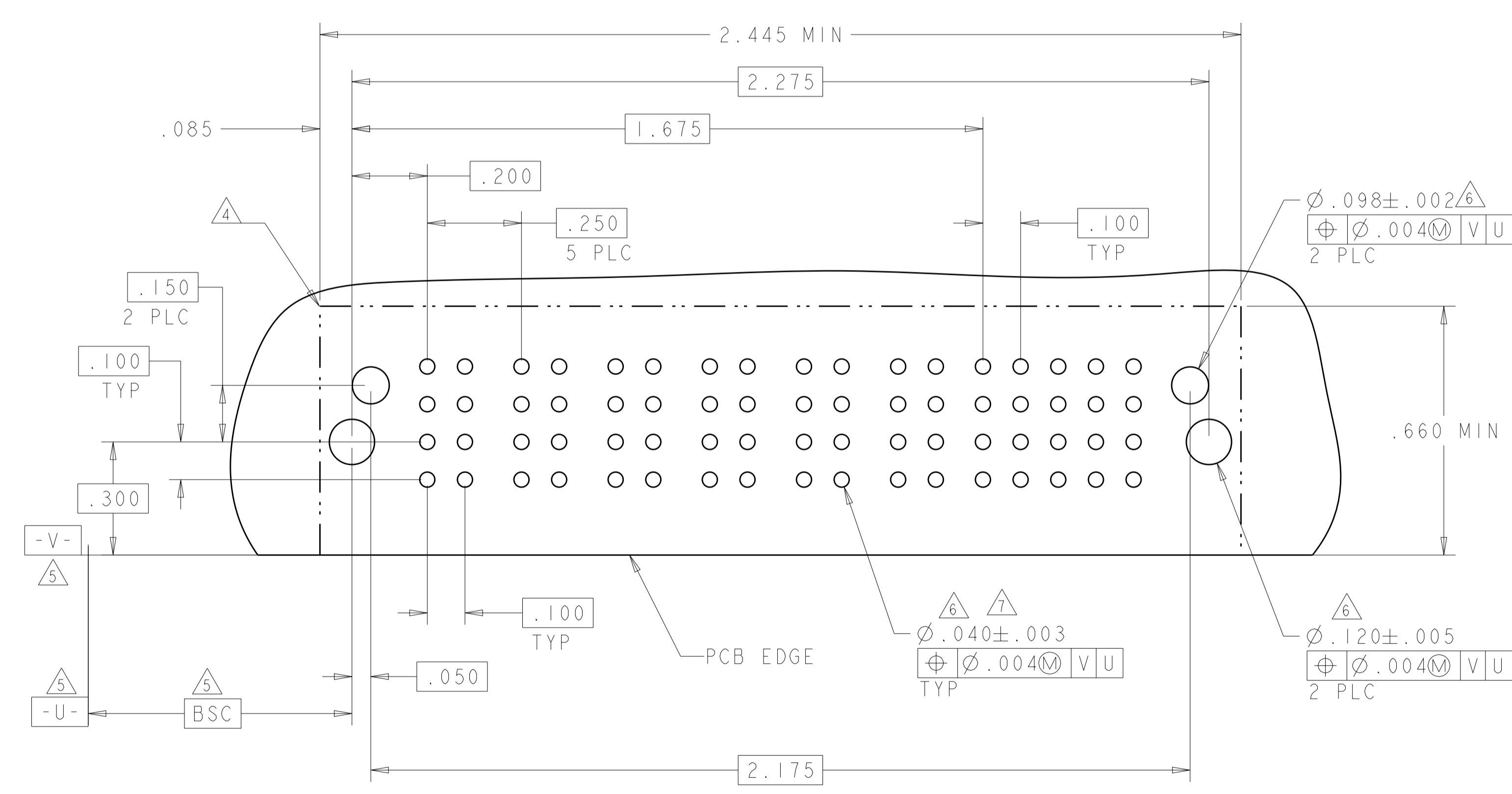
2-6450830-0 AND 2-6450830-5 PCB LAYOUT

THIS DRAWING IS A CONTROLLED DOCUMENT.		OWN: H. LIU 27MAY2008		TE Connectivity
DIMENSIONS: INCHES		CHK: S. ZHAO 27MAY2008		NAME: R/A HEADER WITH SHORT GUIDES AND LP CONTACTS ASSEMBLY
TOLERANCES UNLESS OTHERWISE SPECIFIED:		APVD: S. ZHAO	PRODUCT SPEC: 108-2292	
0 PLC ±.01		PRODUCT SPEC: 114-13251	APPLICATION SPEC: 114-13251	
1 PLC ±.01		SIZE: A100779	CAGE CODE: 6450832	
2 PLC ±.01		WEIGHT: -	SHEET 12 OF 24	
3 PLC ±.005		CUSTOMER DRAWING	SCALE: 4:1	
4 PLC ±.002		REVISION: K6	DATE: -	
ANGLES ±.020			BY: -	
FINISH: -			APPV: -	

LOC	DIST	REVISIONS			
P	LTN	DESCRIPTION	DATE	DWN	APVD
-	-	SEE SHEET 1	-	-	-

PART NUMBER	ROWS	POWER						SIGNAL					HD
		P1	P2	P3	P4	P5	P6	1	2	3	4	5	
2-6450832-2	D C B A	TM	TM	TM	TM	TM	TM	J	J	J	J	J	HD
								K	K	K	K	K	
								N	G	N	N	N	
								S	S	S	S	S	
6P + 20S													

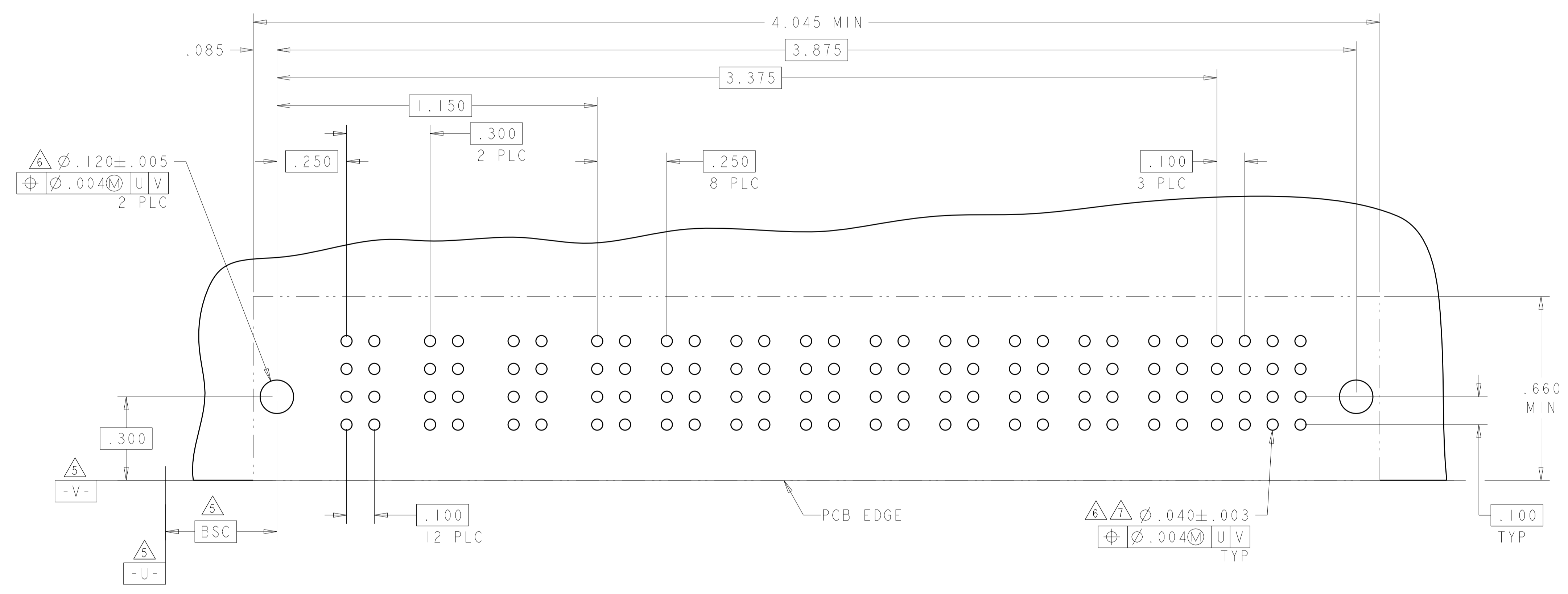
PART NUMBER	ROWS	POWER										SIGNAL						HD	
		P1	P2	P3	P4	P5	P6	P7	P8	P9	P10	P11	1	2	3	4	5		6
2-6450832-8	D C B A	TM	TM	TM	TM	TM	TM	TM	TM	TM	TM	J	J	J	J	J	J	HD	
												K	K	K	K	K	K		F
												N	N	N	N	N	N		N
11HDP + 24S																			



THIS DRAWING IS A CONTROLLED DOCUMENT.		DWN: H.LIU 27MAY2008	 TE Connectivity
DIMENSIONS: INCHES		CHK: S.ZHAO 27MAY2008	
TOLERANCES UNLESS OTHERWISE SPECIFIED: 0 PLC ±. 1 PLC ±.01 2 PLC ±.01 3 PLC ±.005 4 PLC ±.002 ANGLES ±.020		NAME: R/A HEADER WITH SHORT GUIDES AND LP CONTACTS ASSEMBLY MULTI-BEAM XLE PRODUCT SPEC: 108-2292 APPLICATION SPEC: 114-13251 WEIGHT: - CUSTOMER DRAWING	
MATERIAL:	FINISH:	APVD: S.ZHAO - SIZE: 114-13251 SCALE: 4:1 SHEET 13 OF 24 REV: K6	

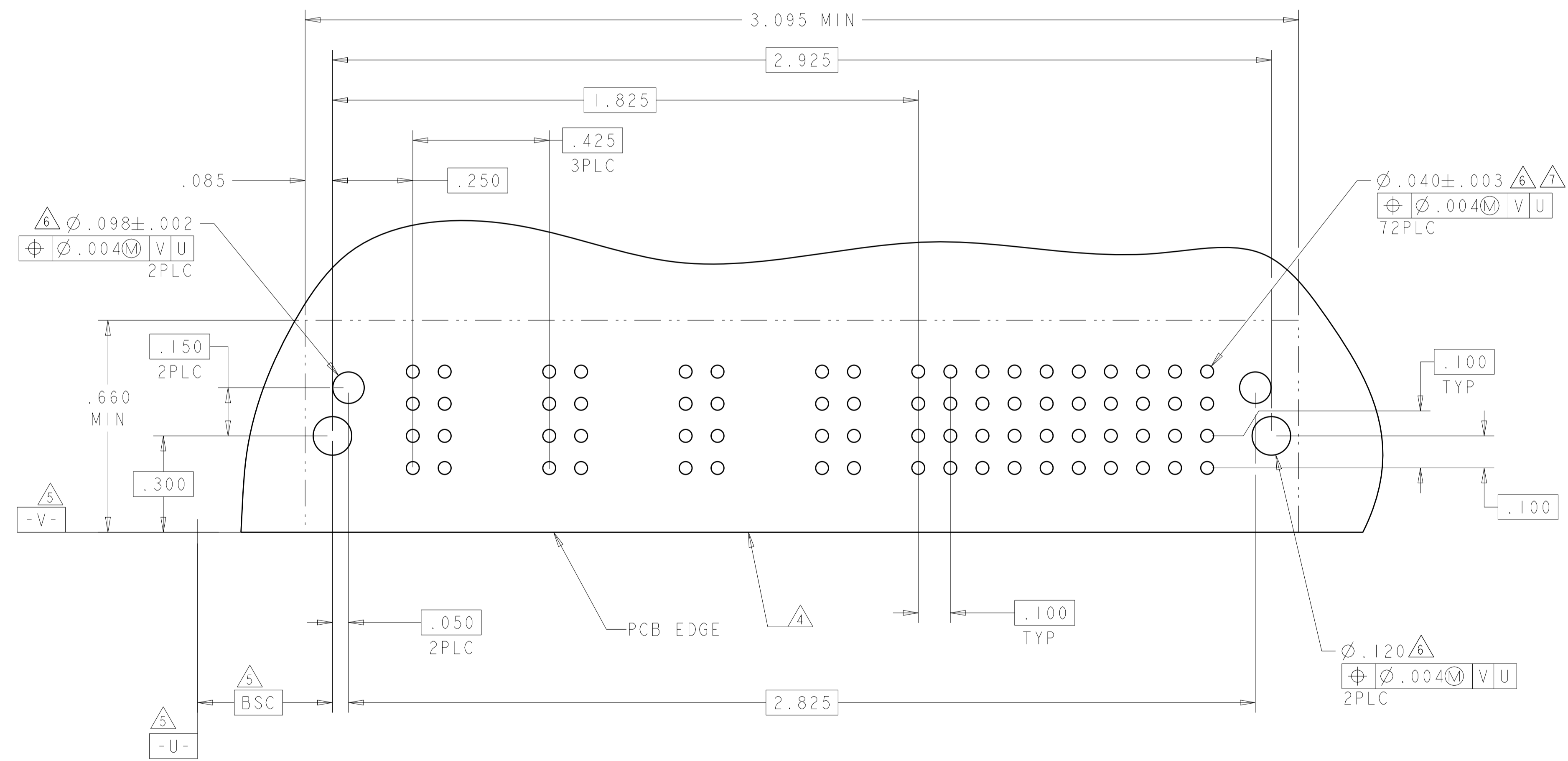
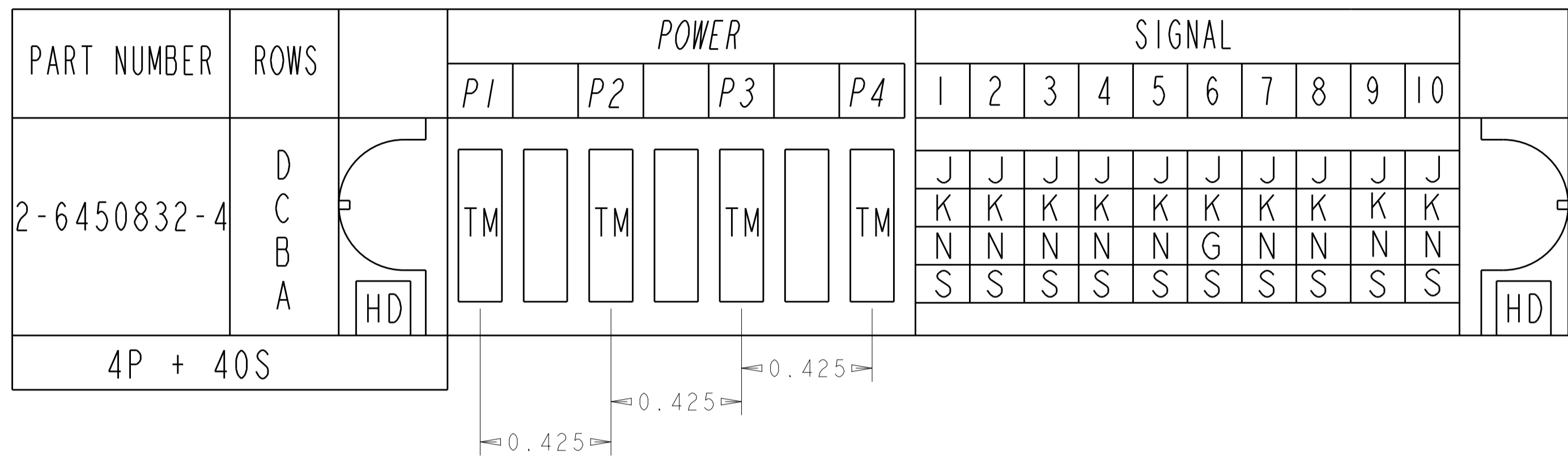
LOC	DIST	REVISIONS			
P	LTH	DESCRIPTION	DATE	DMN	APVD
-	-	SEE SHEET 1	-	-	-

PART NUMBER	ROWS	POWER												SIGNAL			
		P1	P2	P3	P4	P5	P6	P7	P8	P9	P10	P11	P12	1	2	3	4
2-6450832-3	D C B A	PS	PS	PS	PS	PS	PS	PS	PS	PS	PS	PS	PS	J	J	J	J
		PS	PS	PS	PS	PS	PS	PS	PS	PS	PS	PS	PS	K	K	K	K
		PS	PS	PS	PS	PS	PS	PS	PS	PS	PS	PS	PS	N	N	N	N
		PS	PS	PS	PS	PS	PS	PS	PS	PS	PS	PS	PS	S	S	S	H
3ACP + 9P + 16S																	



THIS DRAWING IS A CONTROLLED DOCUMENT.		DMN H. LIU 27MAY2008	TE Connectivity
DIMENSIONS: INCHES		CHK S. ZHAO 27MAY2008	
TOLERANCES UNLESS OTHERWISE SPECIFIED: 0 PLC ± 1 PLC ±.01 2 PLC ±.01 3 PLC ±.005 4 PLC ±.0020 ANGLES ±.2°		APVD S. ZHAO	NAME R/A HEADER WITH SHORT GUIDES AND LP CONTACTS ASSEMBLY MULTI-BEAM XLE
MATERIAL		FINISH	RESTRICTED TO
CUSTOMER DRAWING		SCALE 4:1	SHEET 14 OF 24

LOC		DIST		REVISIONS			
P	LTN	DESCRIPTION	DATE	DMN	APVD		
-	-	SEE SHEET 1	-	-	-		



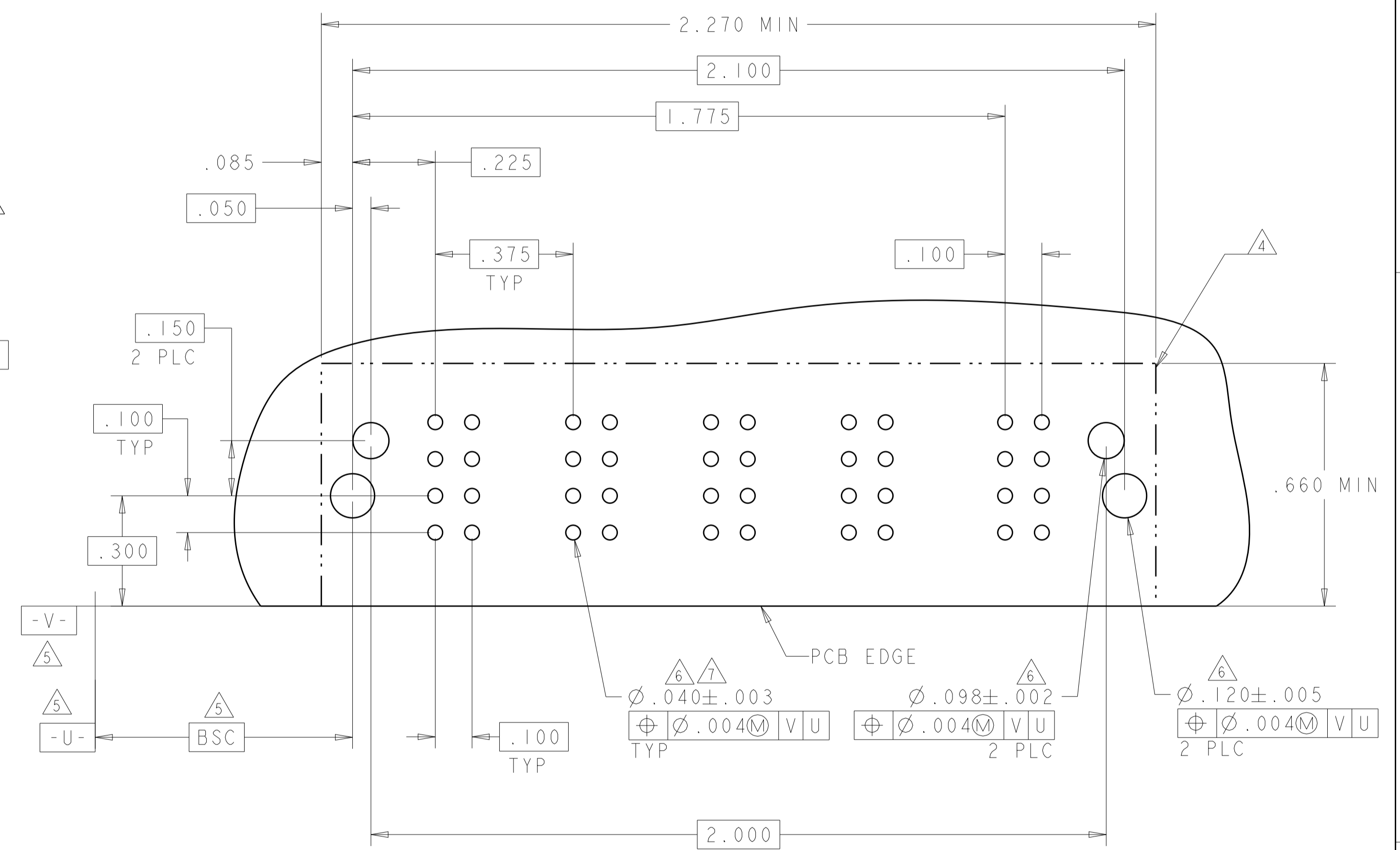
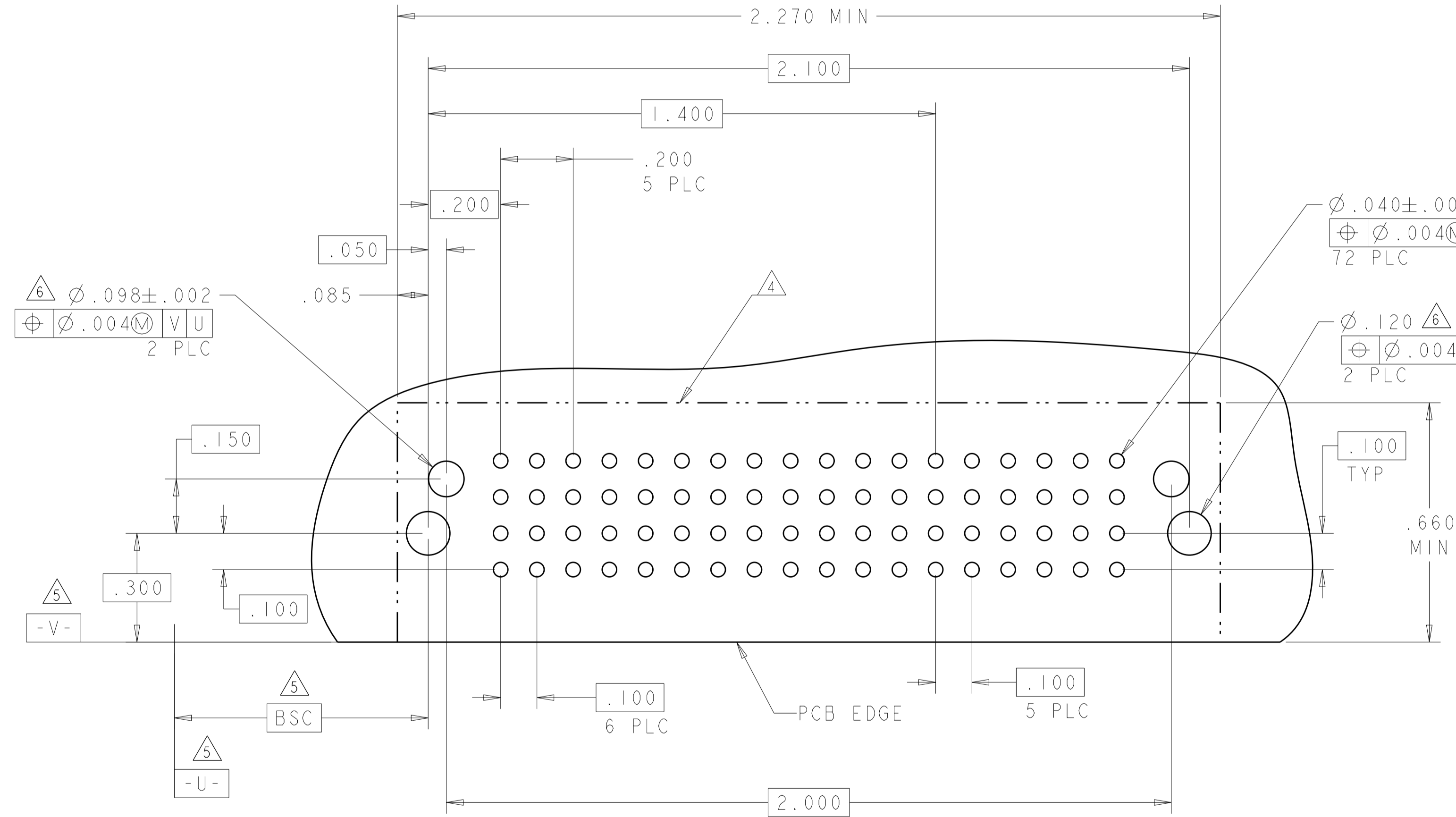
RECOMMENDED PCB LAYOUT BY TE

THIS DRAWING IS A CONTROLLED DOCUMENT.		DMN: H.LIU 27MAY2008	
DIMENSIONS: INCHES		CHK: S.ZHAO 27MAY2008	
		TOLERANCES UNLESS OTHERWISE SPECIFIED:	NAME: R/A HEADER WITH SHORT GUIDES AND LP CONTACTS ASSEMBLY MULTI-BEAM XLE
0 PLC ± 1 PLC ±.01 2 PLC ±.01 3 PLC ±.005 4 PLC ±.002 ANGLES ±.2°		APVD: S.ZHAO	PRODUCT SPEC: 108-2292
MATERIAL:		FINISH:	APPLICATION SPEC: 114-13251
		WEIGHT:	RESTRICTED TO: A100779C=6450832
		CUSTOMER DRAWING	SCALE: 4:1 SHEET 15 OF 24 REV: K6

LOC	DIST	REVISIONS			
		REV	DATE	BY	APPD
		-			
		SEE SHEET 1			

PART NUMBER	ROWS	HD	POWER						SIGNAL						HD
			P1	P2	P3	P4	P5	P6	1	2	3	4	5	6	
2-6450832-6	D	HD	TM	TM	TM	TM	TM	J	J	J	J	J	J	HD	
	C							K	K	K	K	K	K		
	B							N	N	N	N	N	N		
	A							S	S	S	S	S	S		
6HDP + 24S															

PART NUMBER	ROWS	HD	POWER				SIGNAL		HD
			P1	P2	P3	P4	1	2	
3-6450832-0	D	HD	TM	TM	TM	TM	J	E	HD
	C						K	F	
	B						N	G	
	A						S	H	
4ACP + 8S									



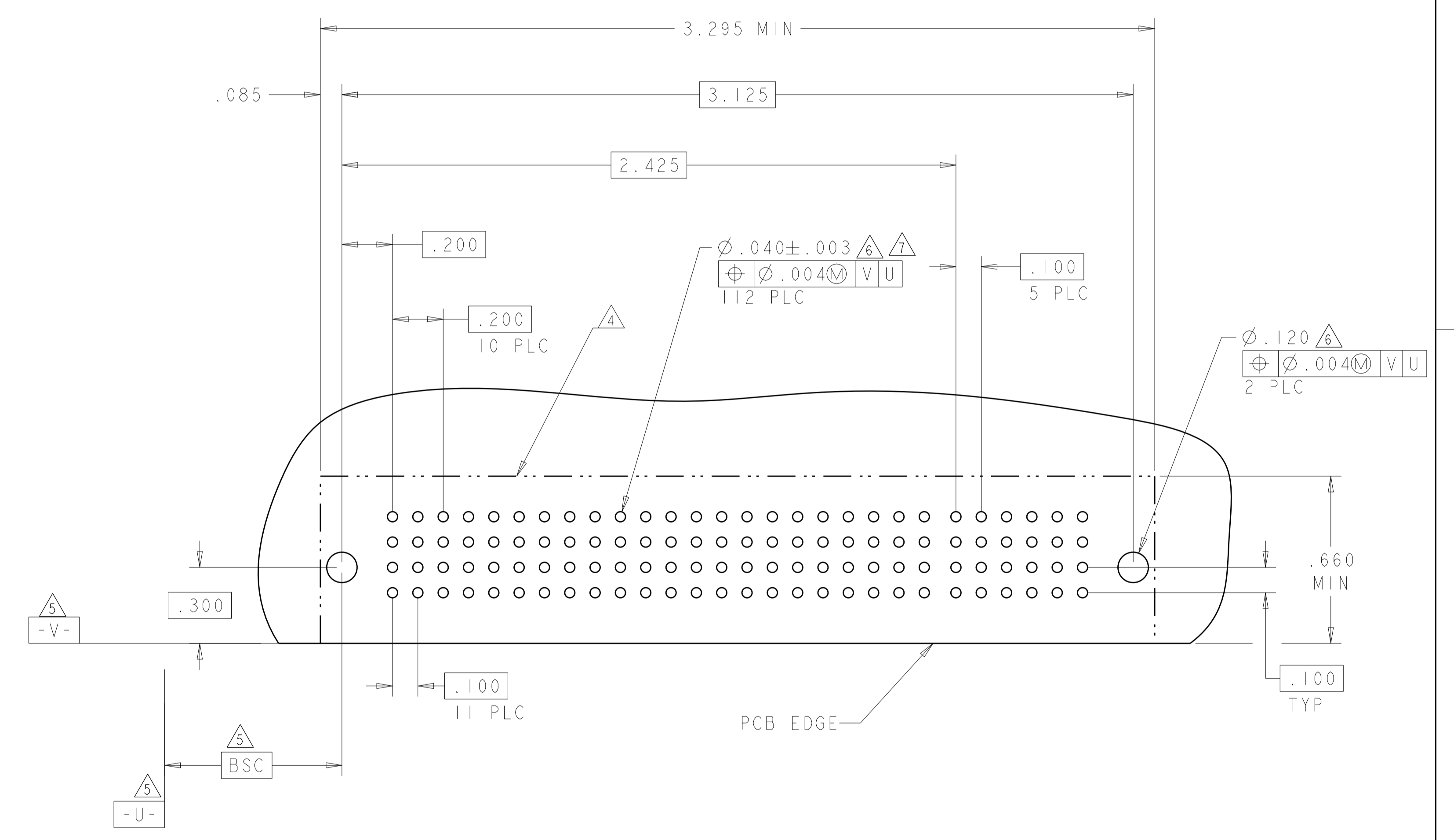
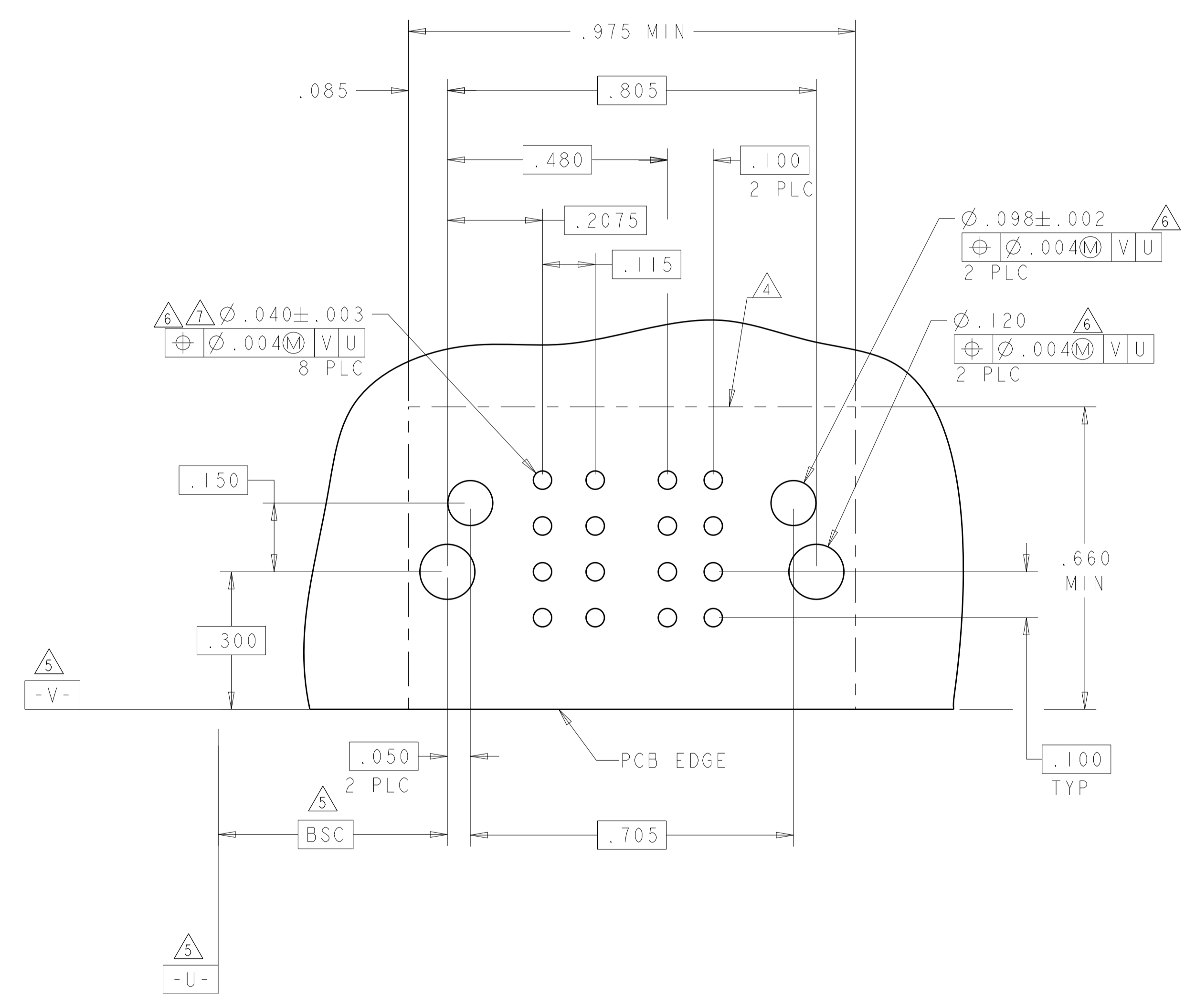
THIS DRAWING IS A CONTROLLED DOCUMENT.		OWN: H. LIU 27MAY2008	<b>STE</b> TE Connectivity
DIMENSIONS: INCHES		CHK: S. ZHAO 27MAY2008	
TOLERANCES UNLESS OTHERWISE SPECIFIED:		APVD: S. ZHAO	NAME: R/A HEADER WITH SHORT GUIDES AND LP CONTACTS ASSEMBLY MULTI-BEAM XLE
0 PLC ±.01		PRODUCT SPEC: 108-2292	
2 PLC ±.01		APPLICATION SPEC: 114-13251	
3 PLC ±.005		SIZE: A100779C=6450832	
4 PLC ±.002		WEIGHT: -	RESTRICTED TO: -
ANGLES: .0020		MATERIAL: -	SCALE: 4:1 SHEET 16 OF 24 REV: K6
FINISH: -		CUSTOMER DRAWING	



LOC	DIST	REVISIONS			
P	LTM	DESCRIPTION	DATE	DWN	APVD
-	-	SEE SHEET 1	-	-	-

PART NUMBER	ROWS	POWER	SIGNAL	
			P1	P2
3-6450832-1	D	LM	J	J
	C	LM	N	N
	B		S	S
	A	HD		HD
2LP + 8S				

PART NUMBER	ROWS	POWER										SIGNAL							
		P1	P2	P3	P4	P5	P6	P7	P8	P9	P10	P11	1	2	3	4	5	6	
3-6450832-2	D	TM	TM	TM	TM	TM	TM	TM	TM	TM	TM	J	J	J	J	J	E		
	C											K	K	K	K	K	F		
	B											N	N	N	N	N	N		
	A											S	S	S	S	S	S		
		11HDP + 24S																	



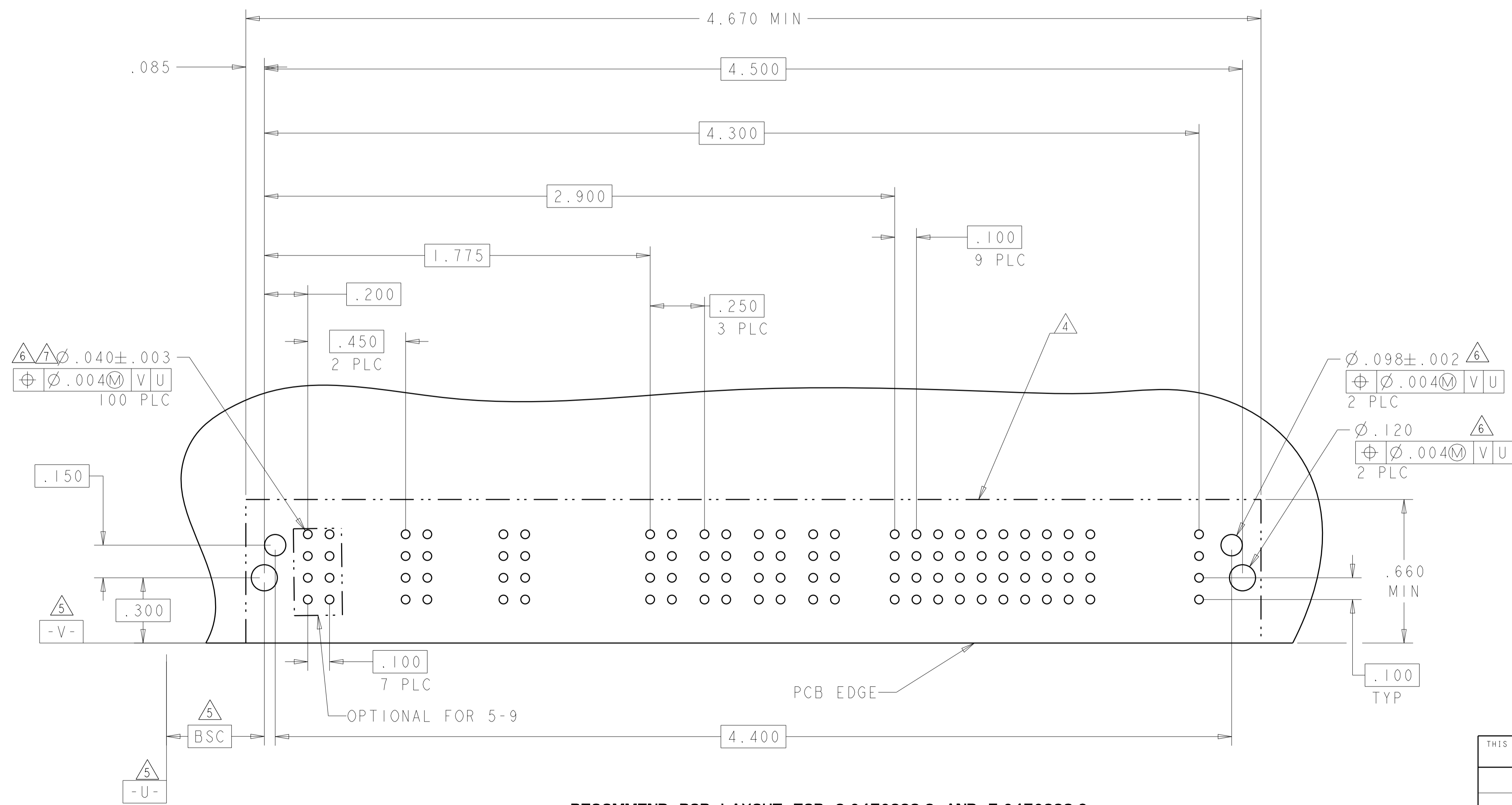
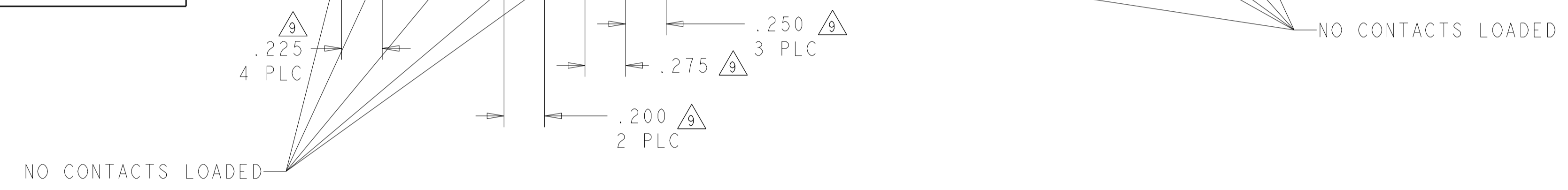
THIS DRAWING IS A CONTROLLED DOCUMENT.		DWN: H.LIU 27MAY2008		TE Connectivity	
DIMENSIONS: INCHES		CHK: S.ZHAO 27MAY2008		NAME: R/A HEADER WITH SHORT GUIDES AND LP CONTACTS ASSEMBLY MULTI-BEAM XLE	
TOLERANCES UNLESS OTHERWISE SPECIFIED:		APVD: S.ZHAO	PRODUCT SPEC: 108-2292		
0 PLC ± .01		APPLICATION SPEC: 114-13251	SIZE: A100779 C=6450832		
1 PLC ± .01		WEIGHT: -	RESTRICTED TO: -		
2 PLC ± .01		CUSTOMER DRAWING	SCALE: 4:1 SHEET 17 OF 24 REV: K6		
3 PLC ± .005					
4 PLC ± .0020					
ANGLES: ± 2°					
FINISH:					

LOC	DIST	REV	DATE	DWN	APVD
		1			

ASSY PART NUMBER	ROWS	POWER											SIGNAL															
		P1	P2	P3	P4	P5	P6	P7	P8	P9	P10	P11	1	2	3	4	5	6	7	8	9	10	11	12	13	14	15	16
3-6450832-3	D C B A	TM	TM	TM					TM	TM	TM	TM	J	J	J	J	J	J	J	J	J	J	J					J
													N	N	N	N	N	N	N	N	N	N	N					K
													S	S	S	S	S	S	S	S	S	S	S					N
																												S



ASSY PART NUMBER	ROWS	POWER											SIGNAL															
		P1	P2	P3	P4	P5	P6	P7	P8	P9	P10	P11	1	2	3	4	5	6	7	8	9	10	11	12	13	14	15	16
5-6450832-9	D C B A			TM	TM					TM	TM	TM	TM	J	J	J	J	J	J	J	J	J	J					J
													N	N	N	N	N	N	N	N	N	N	N					K
													S	S	S	S	S	S	S	S	S	S	S					N
																												S



RECOMMEND PCB LAYOUT FOR 3-6450332-3 AND 5-6450832-9

THIS DRAWING IS A CONTROLLED DOCUMENT.		DWN: H.LIU 27MAY2008	 TE Connectivity
DIMENSIONS: INCHES		CHK: S.ZHAO 27MAY2008	
TOLERANCES UNLESS OTHERWISE SPECIFIED:		APVD: S.ZHAO	NAME: R/A HEADER WITH SHORT GUIDES AND LP CONTACTS ASSEMBLY MULTI-BEAM XLE
0 PLC ± 1 PLC ±.01 2 PLC ±.01 3 PLC ±.005 4 PLC ±.002 ANGLES ±.020		PRODUCT SPEC: 108-2292	SIZE: A1 00779
MATERIAL:		APPLICATION SPEC: 114-13251	DRAWING NO: C=6450832
FINISH:		WEIGHT: -	CUSTOMER DRAWING
		SCALE: 4:1	SHEET 18 OF 24

LOC		DIST		REVISIONS			
P	LTN	DESCRIPTION	DATE	DMN	APVD		
-	-	SEE SHEET 1	-	-	-		

PART NUMBER	ROWS	POWER					SIGNAL				
		P1	P2	P3	P4	P5	1	2	3	4	5
3-6450832-5	D	TM	TM	TM	TM	J	J	J	J	J	
	C					K	K	K	K	K	
	B					N	N	N	N	N	
	A					H	H	S	S	S	

5HDP + 20S

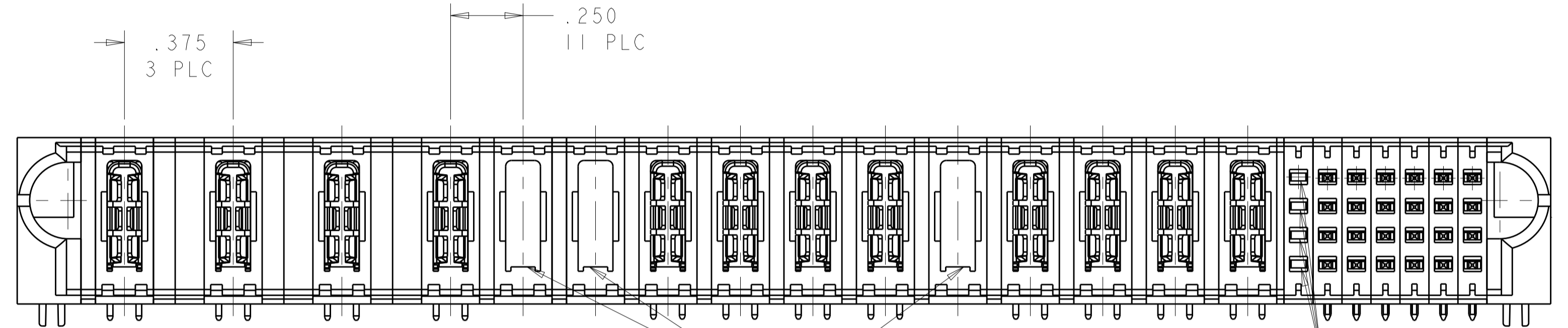
NO CONTACTS LOADED

PART NUMBER	ROWS	POWER															SIGNAL						
		P1	P2	P3	P4	P5	P6	P7	P8	P9	P10	P11	P12	P13	P14	P15	1	2	3	4	5	6	7
3-6450832-6	D	TM	TM	TM	TM	TM	TM	TM	TM	TM	TM	TM	TM	TM	TM	E	E	E	E	E	E		
	C															F	F	F	K	K	K		
	B															N	N	N	N	N	N		
	A															H	H	H	H	H	H		

15P + 28S

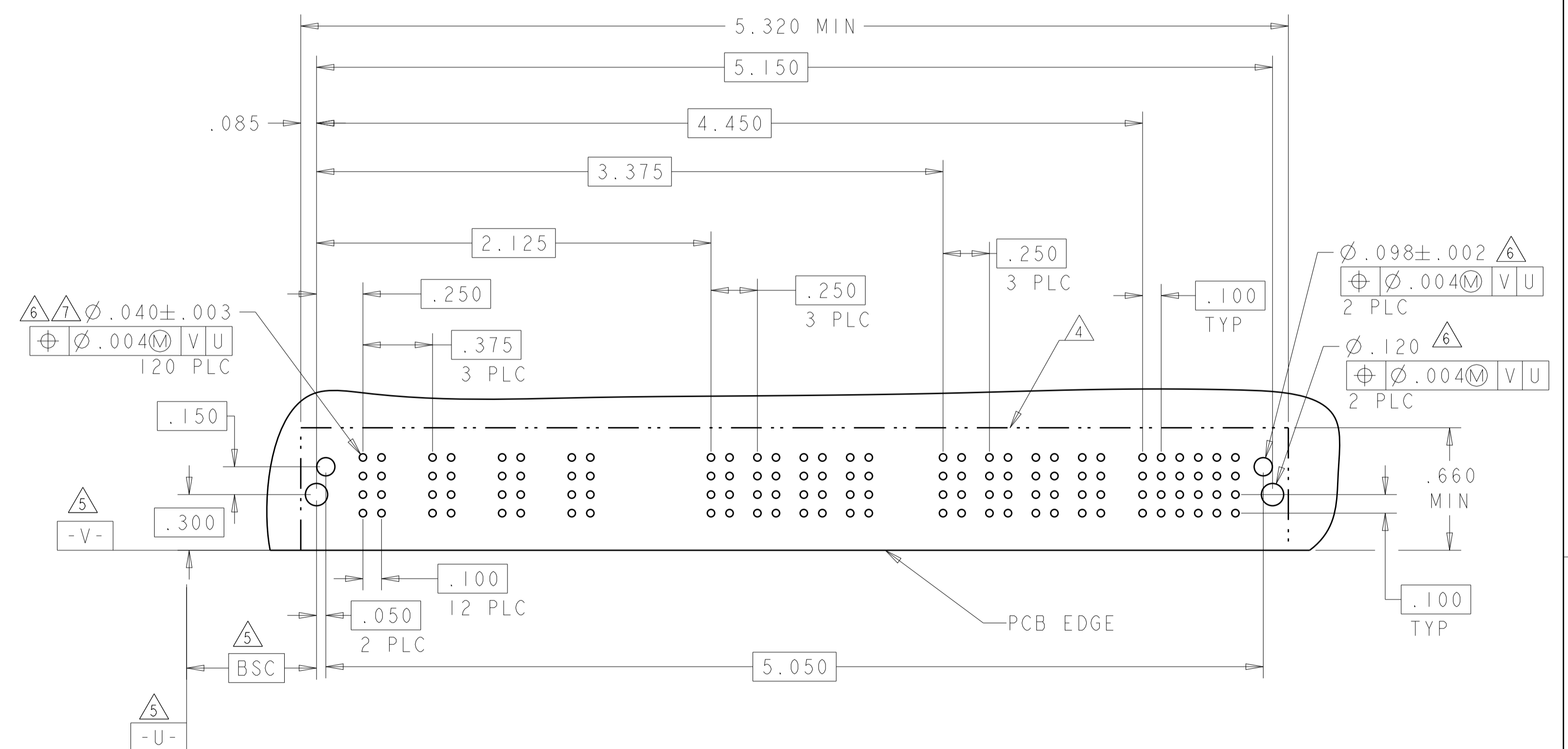
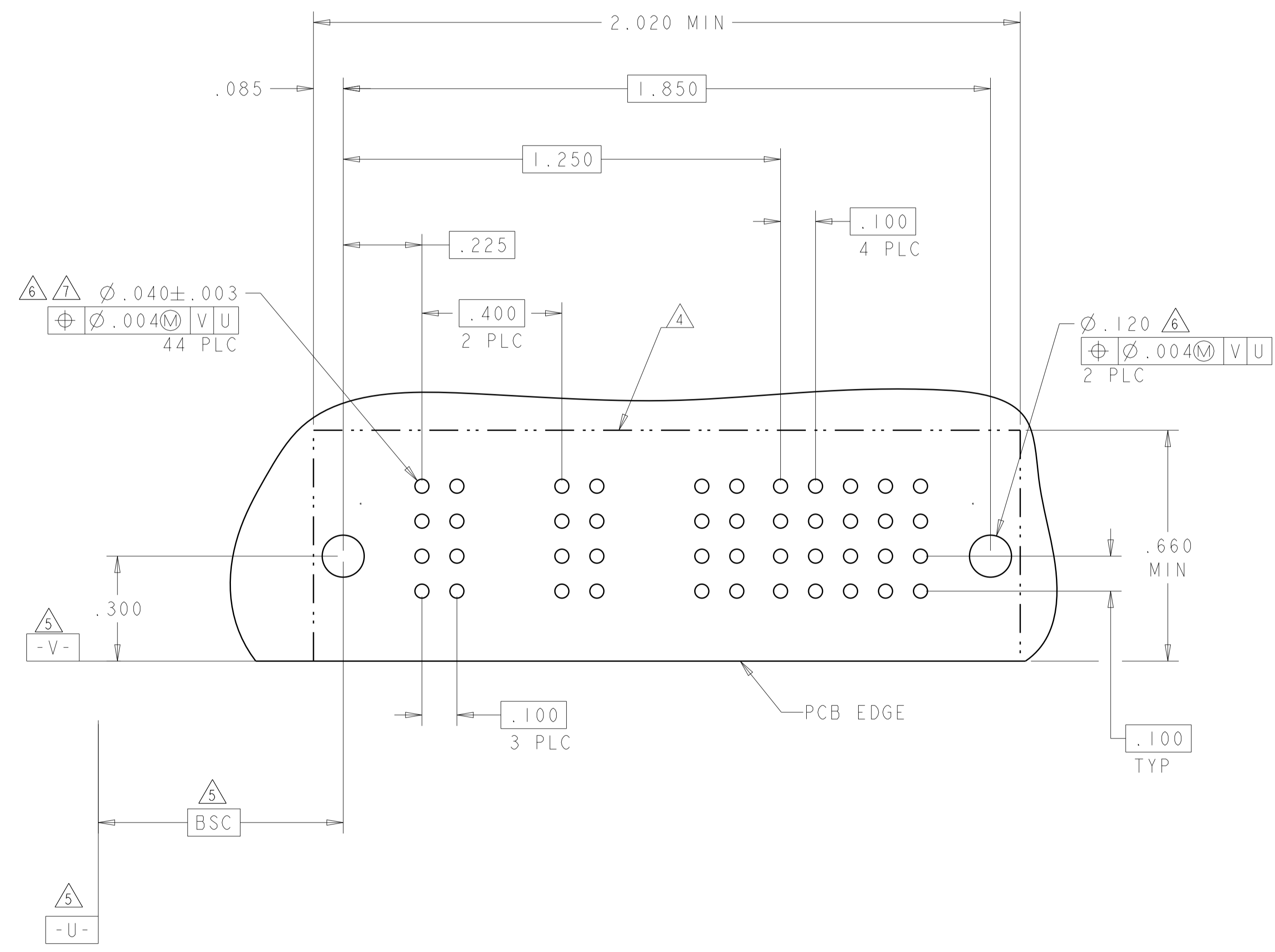
NO CONTACTS LOADED

NO CONTACTS LOADED



NO CONTACTS LOADED

NO CONTACTS LOADED



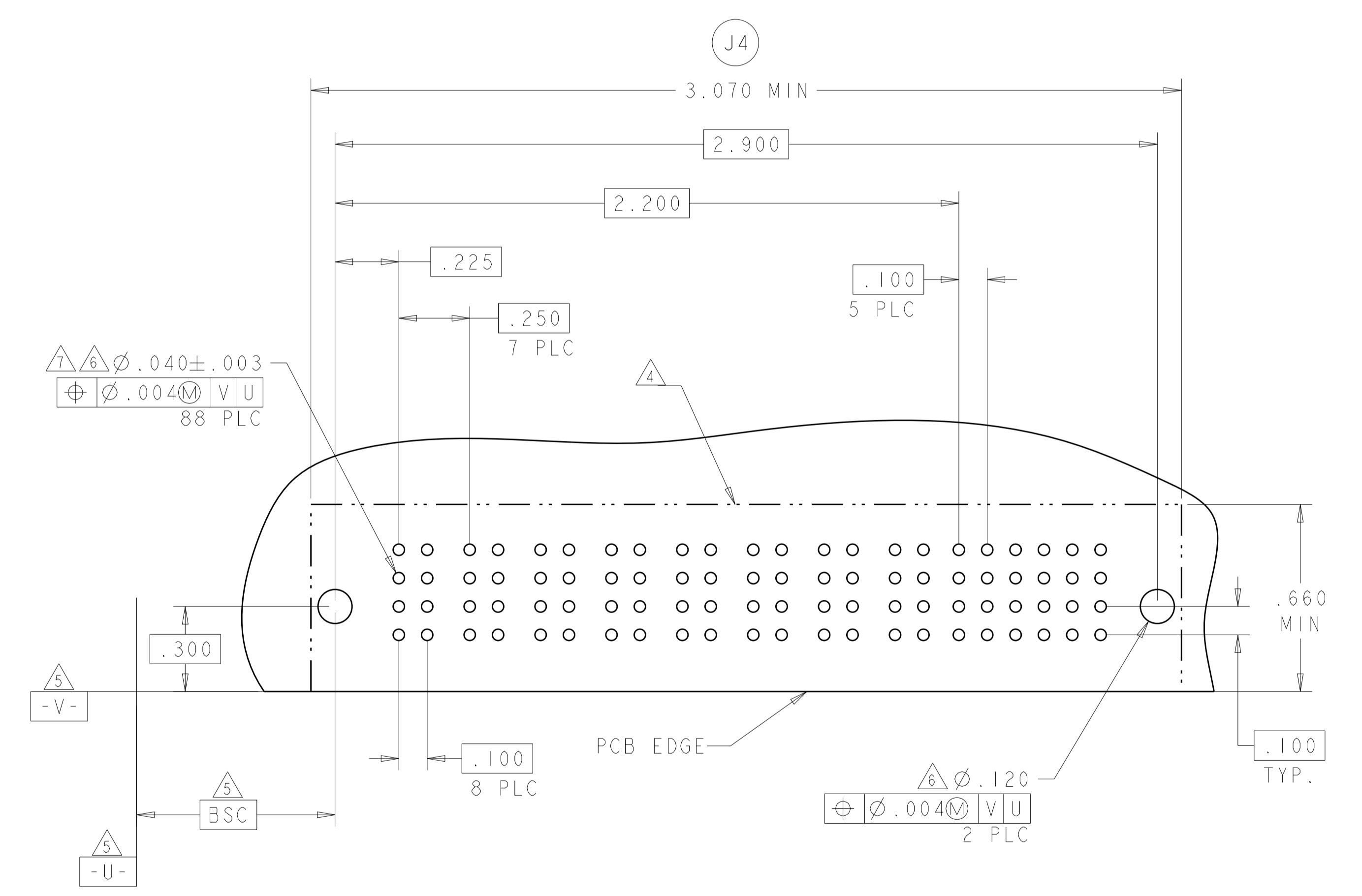
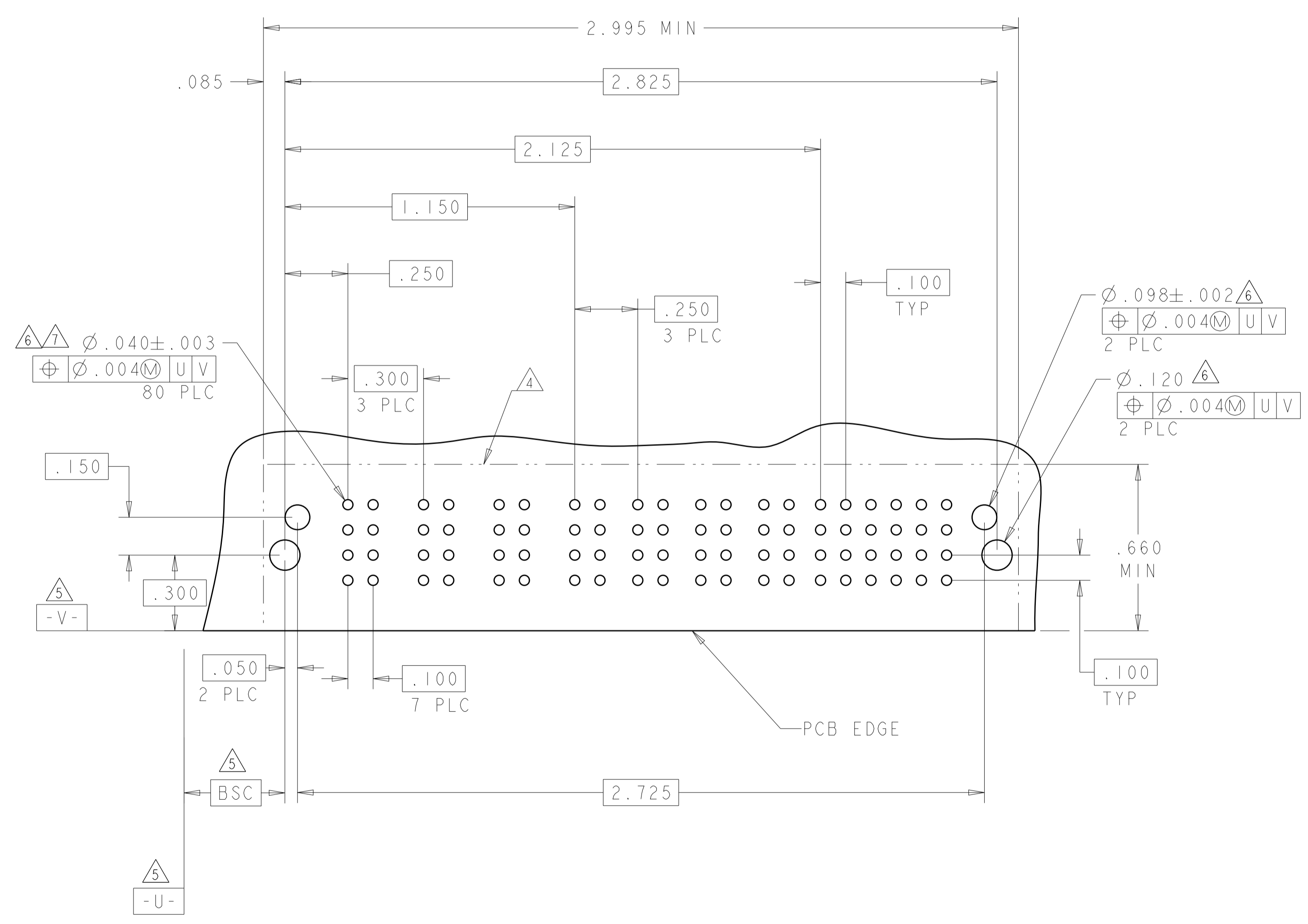
THIS DRAWING IS A CONTROLLED DOCUMENT.		DMN: H.LIU 27MAY2008	<b>STE</b> TE Connectivity
DIMENSIONS: INCHES		CHK: S.ZHAO 27MAY2008	
TOLERANCES UNLESS OTHERWISE SPECIFIED:		APVD: S.ZHAO	NAME: R/A HEADER WITH SHORT GUIDES AND LP CONTACTS ASSEMBLY
0 PLC ±.01		PRODUCT SPEC: 108-2292	MULTI-BEAM XLE
1 PLC ±.01		APPLICATION SPEC: 114-13251	RESTRICTED TO: -
2 PLC ±.01		WEIGHT: -	SIZE: A100779
3 PLC ±.005		CAGE CODE: -	DRAWING NO: 6450832
4 PLC ±.002		CUSTOMER DRAWING	SCALE: 4:1 SHEET 19 OF 24 REV: K6
ANGLES ±.020			
FINISH: -			

LOC		DIST		REVISIONS			
P	LTN	DESCRIPTION	DATE	DMN	APVD		
-	-	SEE SHEET 1	-	-	-		

PART NUMBER	ROWS	POWER							SIGNAL					
		P1	P2	P3	P4	P5	P6	P7	1	2	3	4	5	6
3-6450832-8	D C B A	TM	TM	TM	TM	TM	TM	TM	E	E	J	J	J	E
3ACP + 4P + 24S	HD								K	F	F	F	K	F
									N	G	G	G	N	G
									S	H	S	S	H	H

.300 3 PLC  
 .250 3 PLC

PART NUMBER	ROWS	POWER								SIGNAL					
		P1	P2	P3	P4	P5	P6	P7	P8	1	2	3	4	5	6
3-6450832-9	D C B A	TM	TM	TM	TM	TM	TM	TM	TM	J	J	E	J	J	E
8HDP + 24S										K	K	K	K	K	K
										N	N	G	G	G	G
										S	S	S	S	S	S



THIS DRAWING IS A CONTROLLED DOCUMENT.		DMN	H.LIU	27MAY2008	TE Connectivity		
DIMENSIONS:		CHK	S.ZHAO	27MAY2008			
INCHES		APVD	S.ZHAO				
0 PLC ± 1 PLC ±.01 2 PLC ±.01 3 PLC ±.005 4 PLC ±.0020 ANGLES ±.020		TOLERANCES UNLESS OTHERWISE SPECIFIED:		NAME		R/A HEADER WITH SHORT GUIDES AND LP CONTACTS ASSEMBLY MULTI-BEAM XLE	
MATERIAL	FINISH	WT	114-13251	SIZE	CAGE CODE	DRAWING NO	RESTRICTED TO
CUSTOMER DRAWING		SCALE	4:1	SHEET	20	OF	24
		REV	K6				

LOC	DIST	REVISIONS			
P	LTN	DESCRIPTION	DATE	DMN	APVD
-	-	SEE SHEET 1	-	-	-

PART NUMBER	ROWS	POWER			SIGNAL
		P1	P2	P3	I
4-6450832-0	D	TM	TM	TM	J
	C				K
	B				N
	A				S

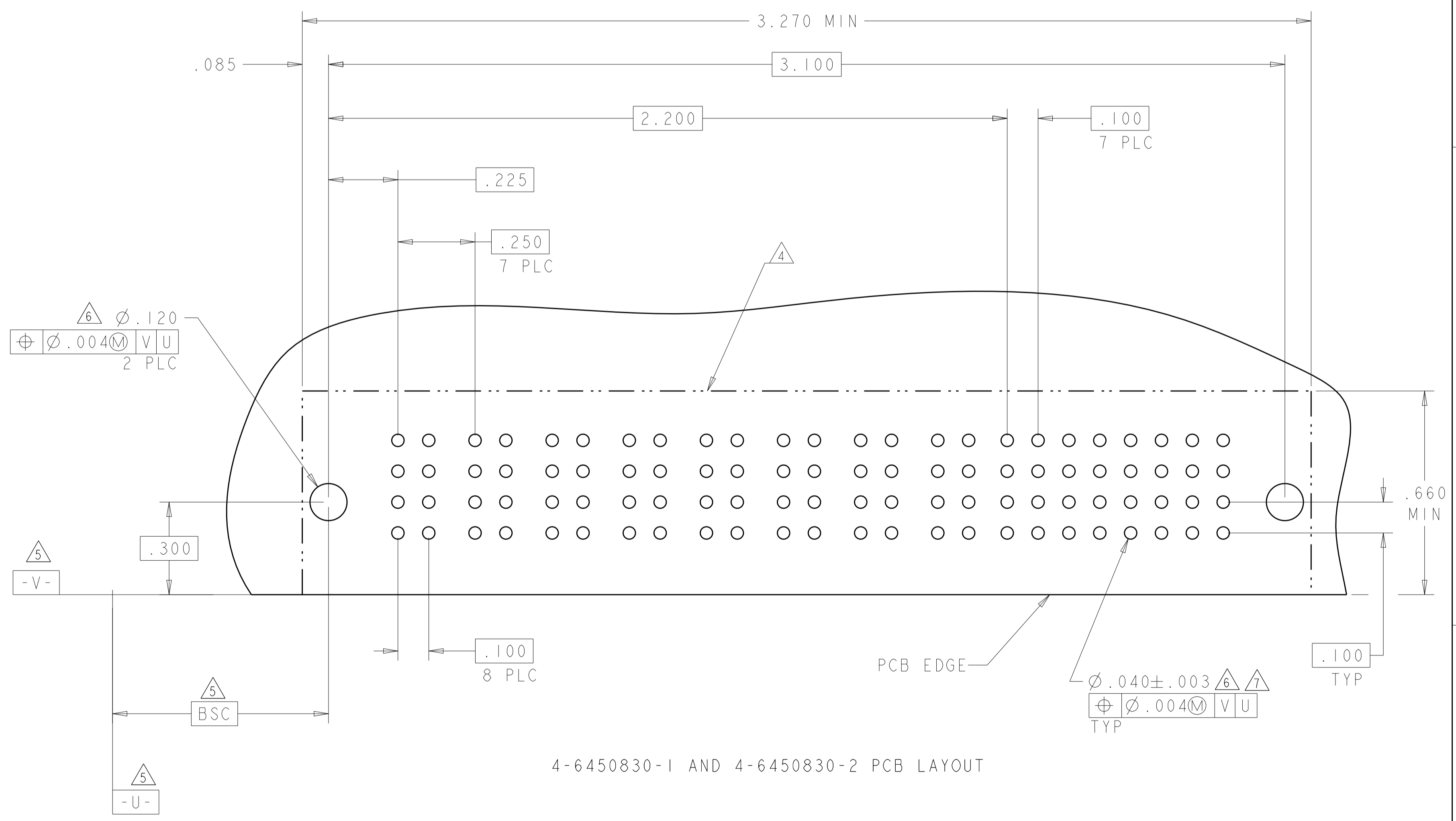
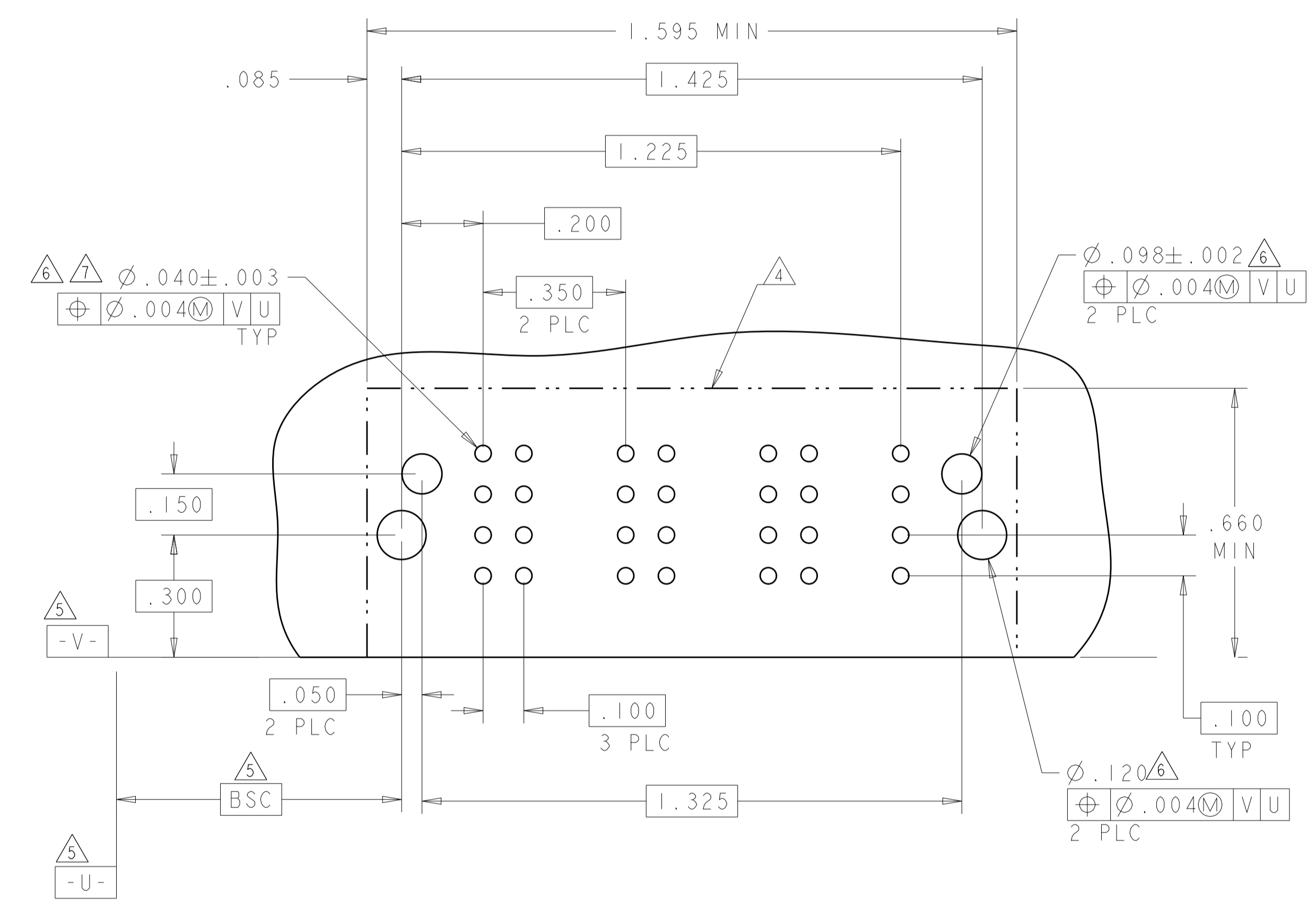
3P + 4S

PART NUMBER	ROWS	POWER								SIGNAL							
		P1	P2	P3	P4	P5	P6	P7	P8	1	2	3	4	5	6	7	8
4-6450832-1	D	TM	TM	TM	TM	TM	TM	TM	TM	J	J	J	J	J	J	J	J
	C									K	K	K	K	K	K	K	
	B									N	N	N	N	N	N	N	
	A									S	S	S	S	S	S	S	

8P + 32S

PART NUMBER	ROWS	POWER								SIGNAL							
		P1	P2	P3	P4	P5	P6	P7	P8	1	2	3	4	5	6	7	8
4-6450832-2	D	TM	TM	TM	TM	TM	TM	TM	TM	J	J	J	J	J	J	J	J
	C									K	K	K	F	K	K	K	
	B									N	N	N	N	N	N	N	
	A									S	S	S	S	S	S	S	

8P + 32S



4-6450830-1 AND 4-6450830-2 PCB LAYOUT

THIS DRAWING IS A CONTROLLED DOCUMENT.		DMN: H.LIU 27MAY2008	TE Connectivity
DIMENSIONS: INCHES		CHK: S.ZHAO 27MAY2008	
TOLERANCES UNLESS OTHERWISE SPECIFIED:		APVD: S.ZHAO	NAME: R/A HEADER WITH SHORT GUIDES AND LP CONTACTS ASSEMBLY
0 PLC ±.01	1 PLC ±.01	PRODUCT SPEC	108-2292
2 PLC ±.01	3 PLC ±.005	APPLICATION SPEC	114-13251
4 PLC ±.0020	ANGLES ±.020	WEIGHT	100779
MATERIAL	FINISH	CUSTOMER DRAWING	SCALE: 4:1 SHEET 21 OF 24 REV: K6

LOC		DIST		REVISIONS			
P	LTN	DESCRIPTION	DATE	DMN	APVD		
-	-	SEE SHEET 1	-	-	-		

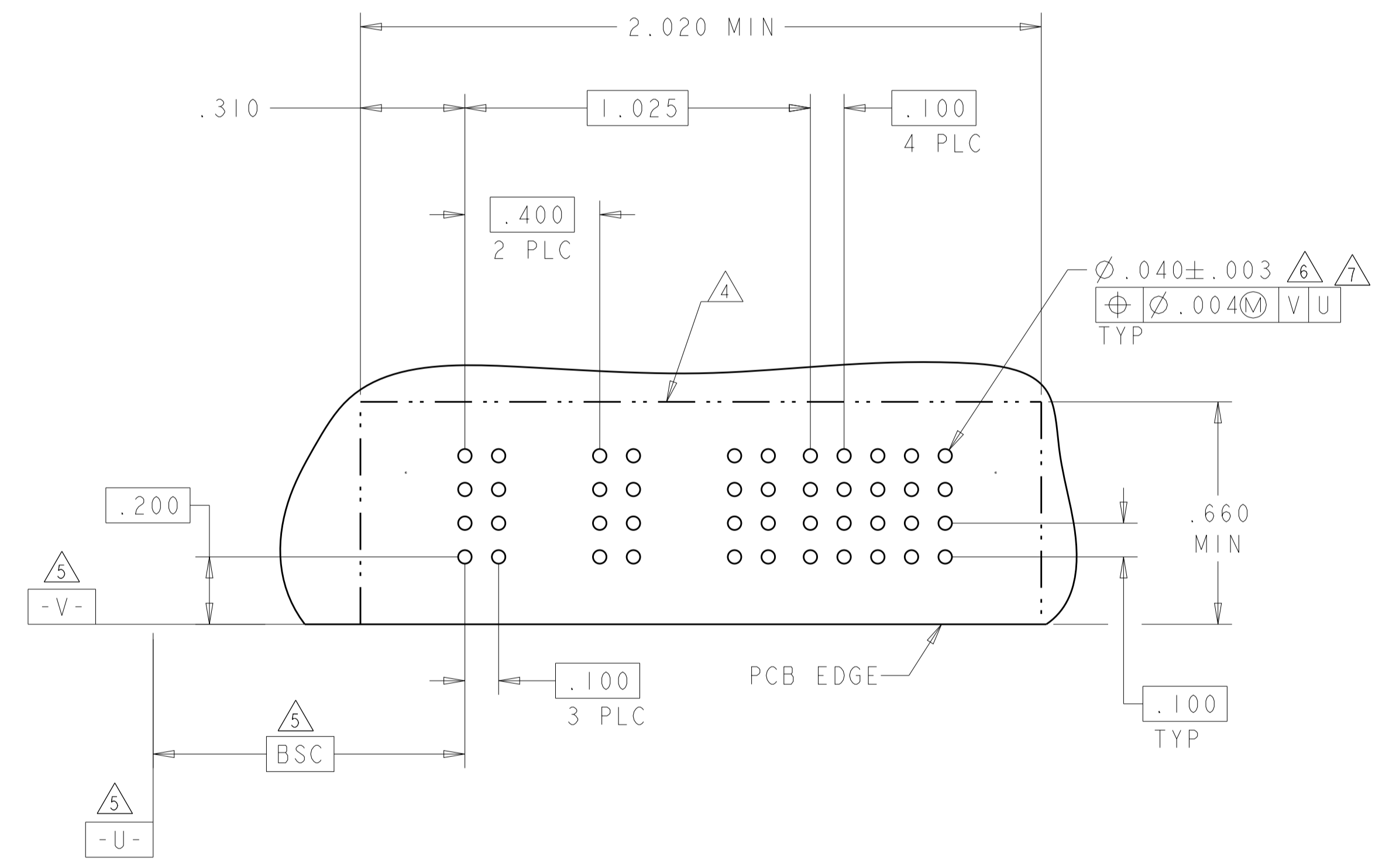
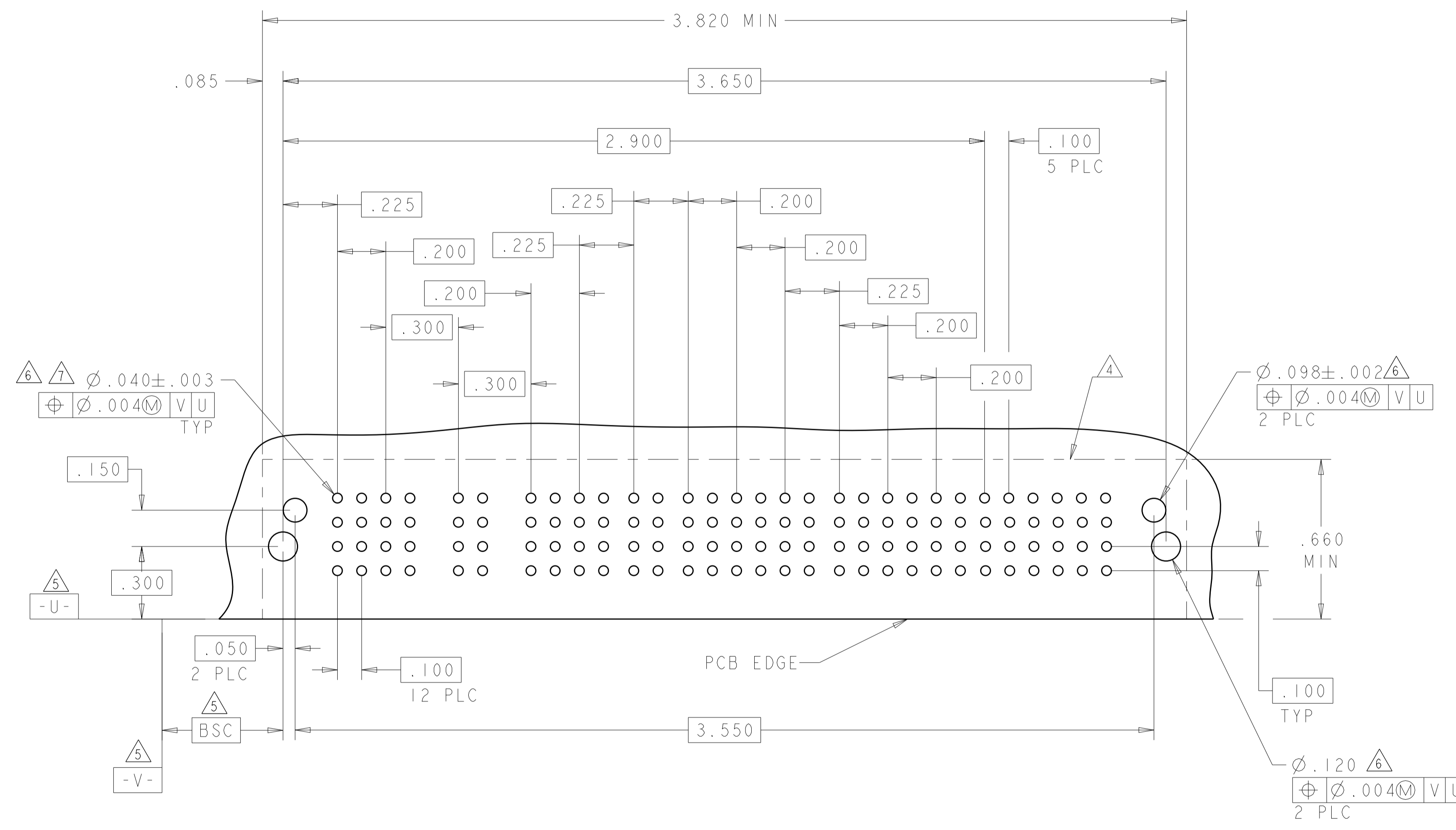
PART NUMBER	ROWS	POWER												SIGNAL					
		P1	P2	P3	P4	P5	P6	P7	P8	P9	P10	P11	P12	1	2	3	4	5	6
4-6450832-3	D													E	E	J	J	E	E
	C													K	F	K	K	K	K
	B	TM	TM	TM	TM	TM	TM	TM	TM	TM	TM	TM	TM	N	G	N	G	G	G
	A	HD												S	S	S	S	S	S

12P + 24S

PART NUMBER	ROWS	POWER					SIGNAL				
		P1	P2	P3	P4	P5	1	2	3	4	5
4-6450832-4	D						J	J	J	J	J
	C						K	K	K	K	K
	B	TM		TM		TM	N	N	N	N	N
A						H	H	S	S	S	

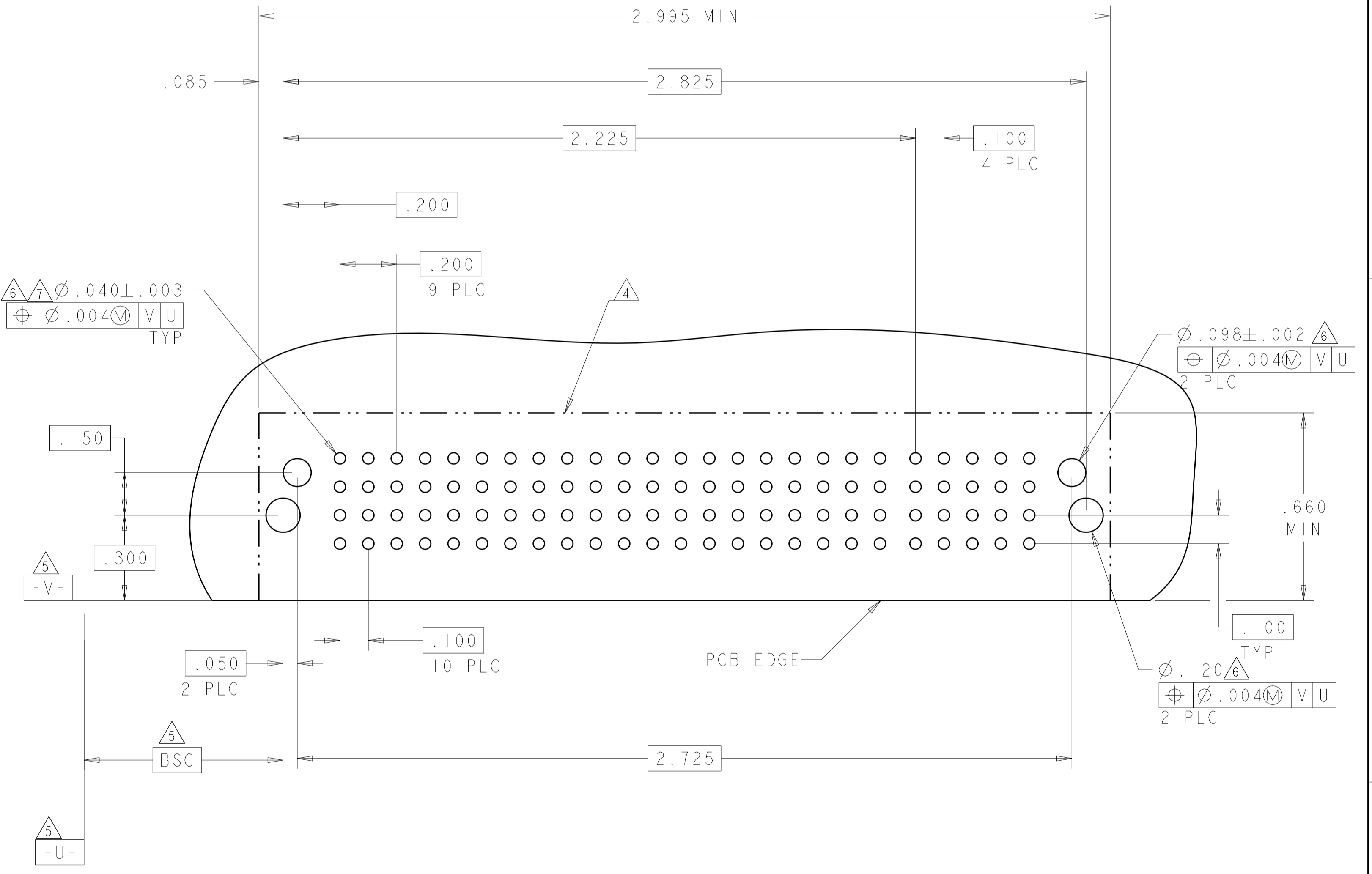
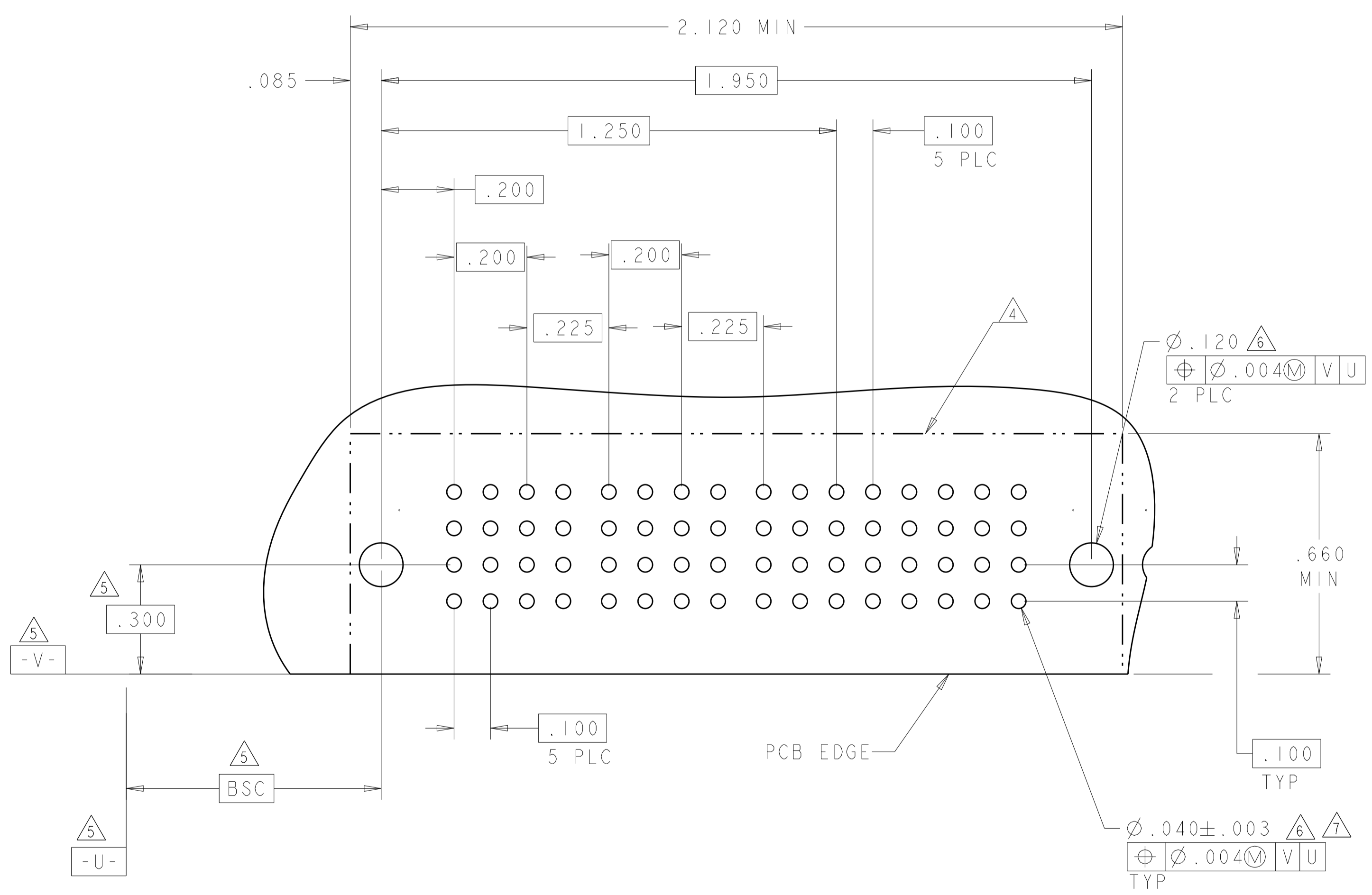
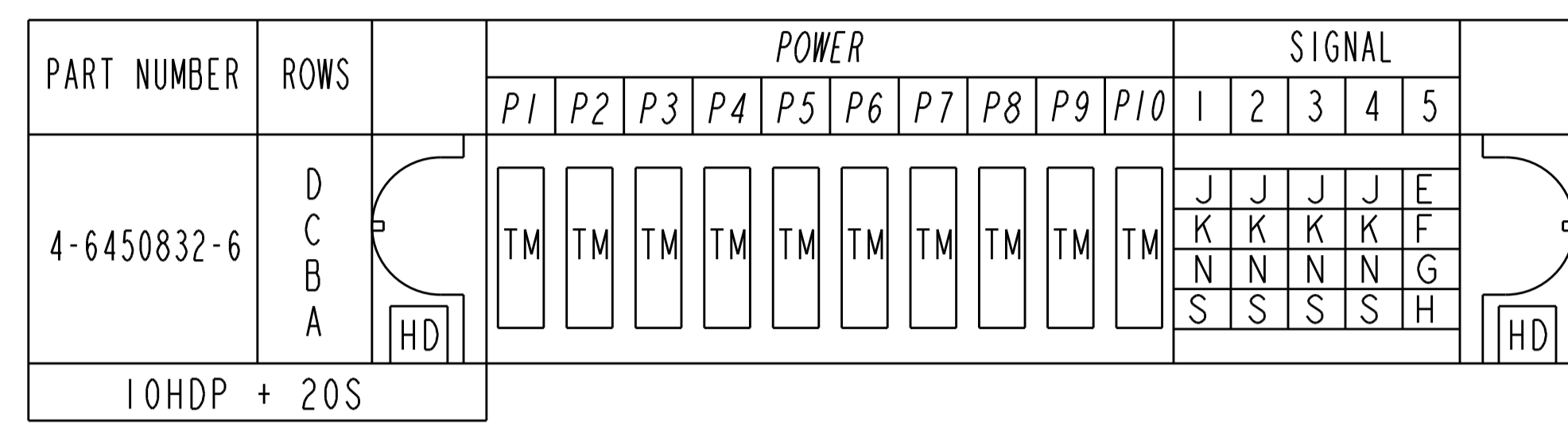
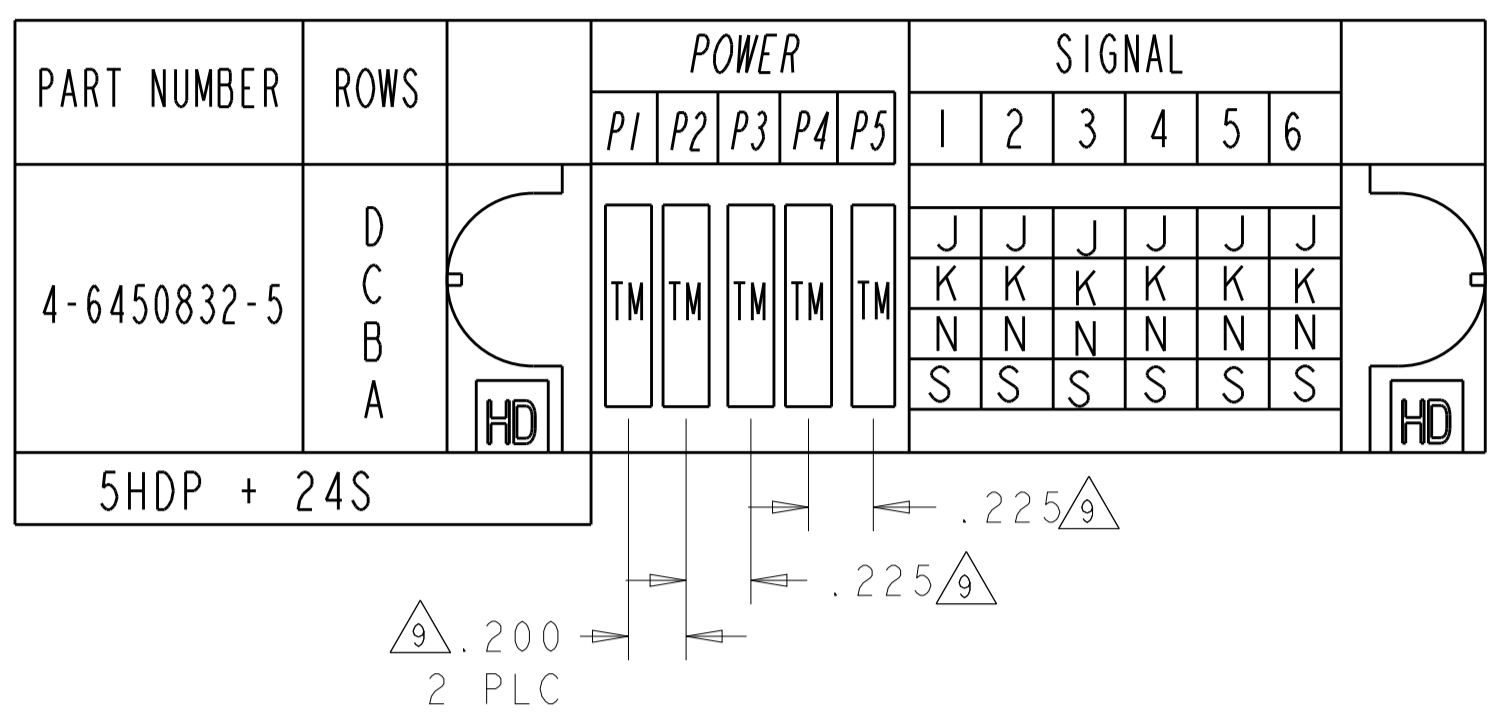
5HDP + 20S

NO CONTACTS LOADED



THIS DRAWING IS A CONTROLLED DOCUMENT.		DMN H.LIU 27MAY2008	<b>STE</b> TE Connectivity
DIMENSIONS: INCHES		CHK S.ZHAO 27MAY2008	
TOLERANCES UNLESS OTHERWISE SPECIFIED:		APVD S.ZHAO	NAME R/A HEADER WITH SHORT GUIDES AND LP CONTACTS ASSEMBLY MULTI-BEAM XLE
0 PLC ± .01		PRODUCT SPEC 108-2292	SIZE CAGE CODE DRAWING NO
1 PLC ± .01		APPLICATION SPEC	RESTRICTED TO
2 PLC ± .01		114-13251	A 100779 C=6450832
3 PLC ± .005		WEIGHT	SCALE 4:1 SHEET 22 OF 24 REV K6
4 PLC ± .002		CUSTOMER DRAWING	
ANGLES ± 0.25°			
FINISH			

LOC	DIST	REVISIONS			
P	LTM	DESCRIPTION	DATE	DMN	APVD
-	-	SEE SHEET 1	-	-	-

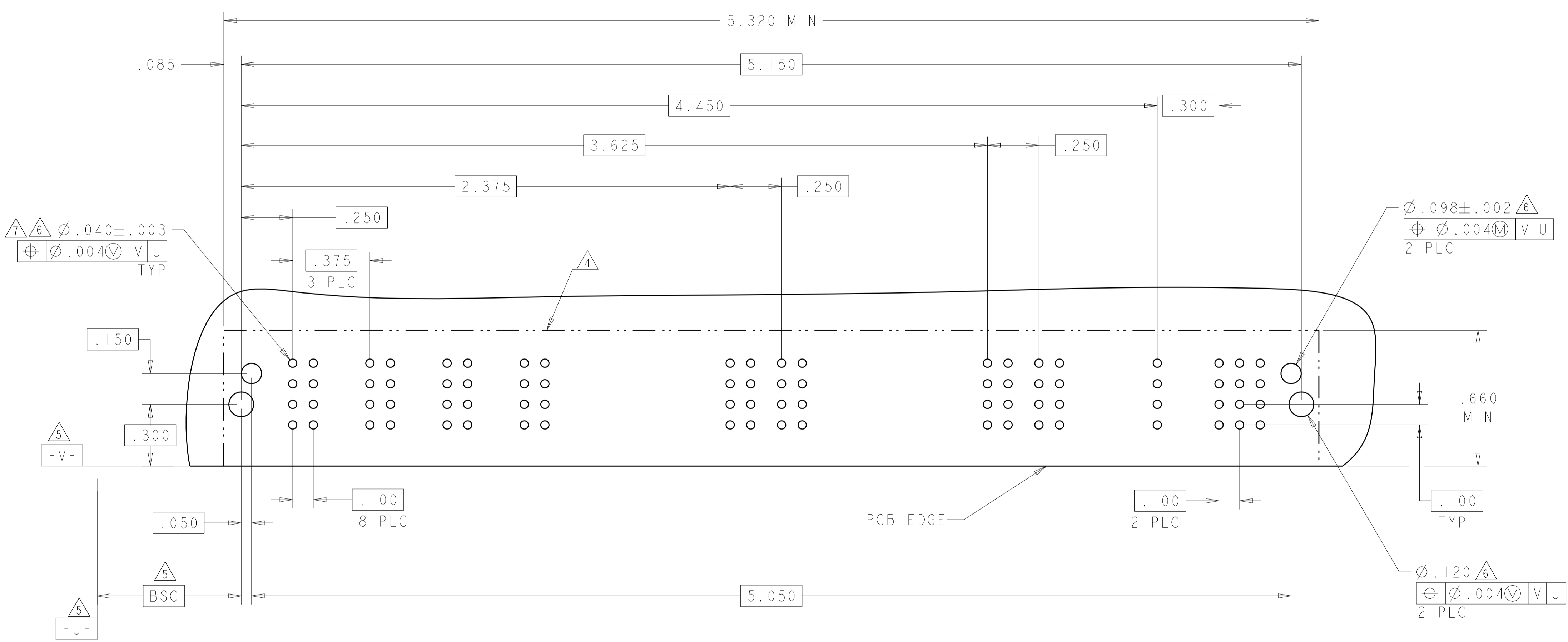
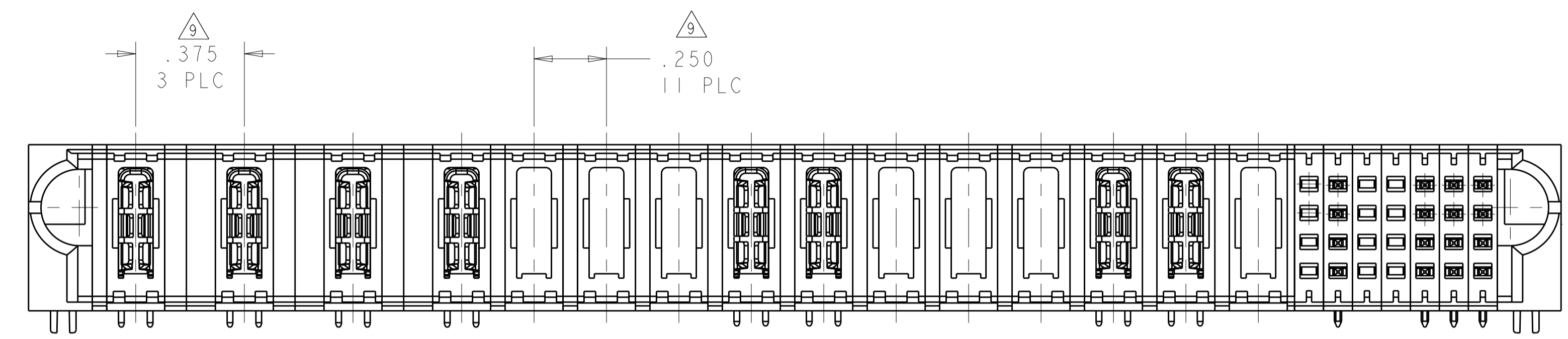


THIS DRAWING IS A CONTROLLED DOCUMENT.		DMN: H. LIU 27MAY2008	TE Connectivity
DIMENSIONS: INCHES		CHK: S. ZHAO 27MAY2008	
TOLERANCES UNLESS OTHERWISE SPECIFIED:		APVD: S. ZHAO	NAME: R/A HEADER WITH SHORT GUIDES AND LP CONTACTS ASSEMBLY
0 PLC ±.01		PRODUCT SPEC: 108-2292	MULTI-BEAM XLE
1 PLC ±.01		APPLICATION SPEC: 114-13251	SIZE: A1
2 PLC ±.01		WEIGHT: -	CAGE CODE: 6450832
3 PLC ±.01		CUSTOMER DRAWING	SCALE: 4:1
4 PLC ±.005		REVISIONS	SHEET 23 OF 24
5 PLC ±.002		DATE	REV: K6
ANGLES ±.020			
FINISH			

LOC	DIST	REVISIONS					
		P	LTN	DESCRIPTION	DATE	DWN	APVD
		-		SEE SHEET 1			

PART NUMBER	ROWS	POWER															SIGNAL							
		P1	P2	P3	P4	P5	P6	P7	P8	P9	P10	P11	P12	P13	P14	P15	1	2	3	4	5	6	7	
4-6450832-7	D															-	J	-	-	J	J	J		
	C															-	K	-	-	K	K	K		
	B	TM	TM	TM	TM	-	-	-	TM	TM	-	-	-	TM	TM	-	-	G	-	-	G	G	G	
	A															-	H	-	-	H	H	H		
15P + 28S																								

- NO CONTACTS LOADED



THIS DRAWING IS A CONTROLLED DOCUMENT.		DWN: H.LIU 27MAY2008	
DIMENSIONS: INCHES		CHK: S.ZHAO 27MAY2008	
		APVD: S.ZHAO	NAME: R/A HEADER WITH SHORT GUIDES AND LP CONTACTS ASSEMBLY MULTI-BEAM XLE
TOLERANCES UNLESS OTHERWISE SPECIFIED:		PRODUCT SPEC: 108-2292	SIZE: A1
0 PLC ± 1 PLC ±.01 2 PLC ±.01 3 PLC ±.005 4 PLC ±.002 ANGLES ±.020		APPLICATION SPEC: 114-13251	CAGE CODE: 6450832
MATERIAL FINISH		WEIGHT	RESTRICTED TO: -
		CUSTOMER DRAWING	SCALE: 4:1 SHEET 24 OF 24 REV: K6



## X-ON Electronics

Largest Supplier of Electrical and Electronic Components

*Click to view similar products for [Power to the Board](#) category:*

*Click to view products by [TE Connectivity](#) manufacturer:*

Other Similar products are found below :

[10131318-08512GRLF](#) [6450171-4](#) [6450552-7](#) [6600323-8](#) [6643429-1](#) [6646040-2](#) [6651939-1](#) [6766604-1](#) [120959-1](#) [1393557-2](#) [1393532-2](#)  
[1393532-3](#) [1393532-4](#) [1393557-1](#) [1600812-5](#) [1-6450861-2](#) [1645595-1](#) [1743490-1](#) [1744132-7](#) [1761122-1](#) [1766169-1](#) [1766250-1](#) [18362](#)  
[1892109-1](#) [1-967627-6](#) [2226808-1](#) [2-6450860-5](#) [2-6450860-6](#) [2-6450870-0](#) [93003-0502](#) [953552-1](#) [1-6450161-4](#) [1-6450850-6](#) [1645526-2](#) [1-](#)  
[6600130-0](#) [1743419-1](#) [1766150-1](#) [2005243-2](#) [211110-1](#) [2-6600130-2](#) [TE34-12-16P-F0](#) [5-6450830-6](#) [5646956-4](#) [36662-0005](#) [40585-3000](#) [4-](#)  
[6450830-9](#) [4-6600333-3](#) [51142-0214](#) [10134048-911LF](#) [10130248-005LF](#)