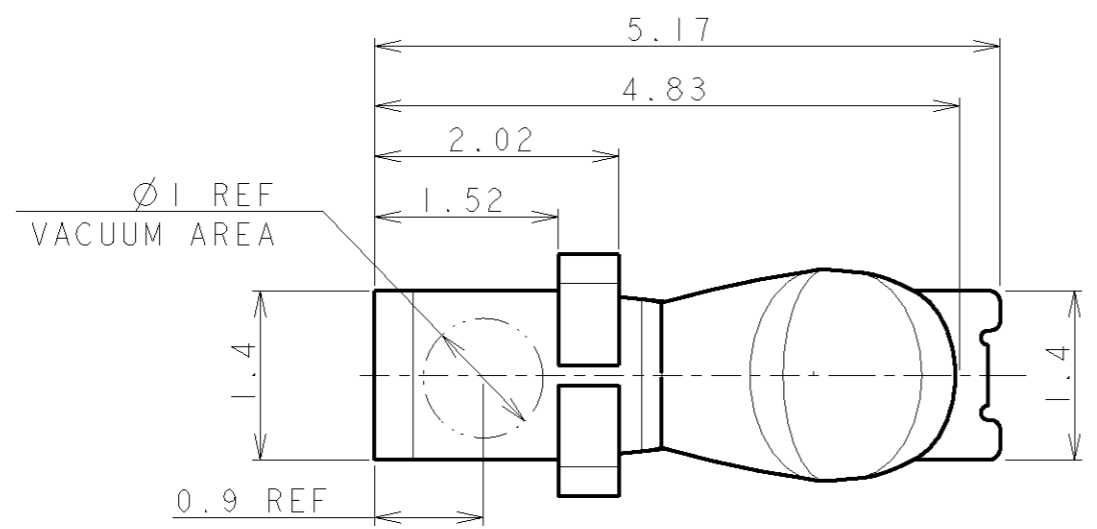
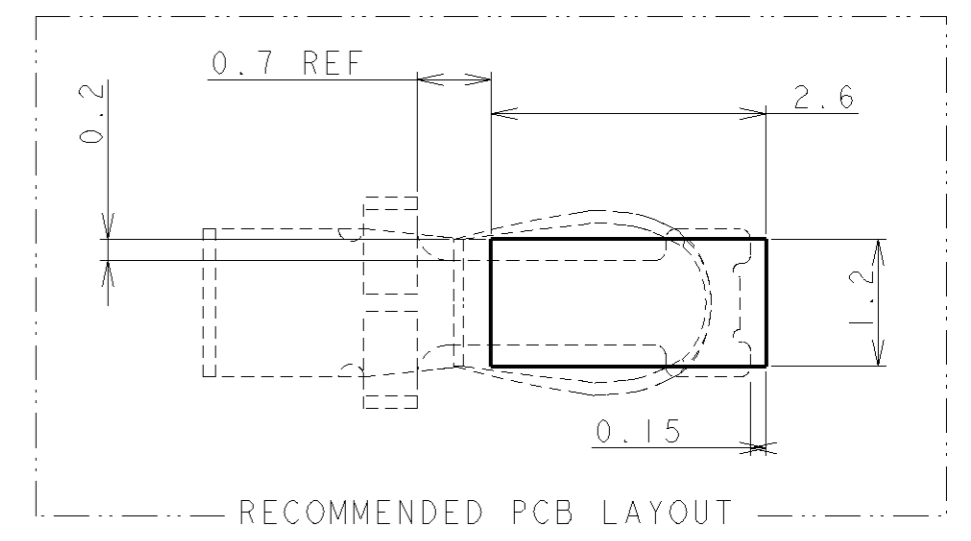
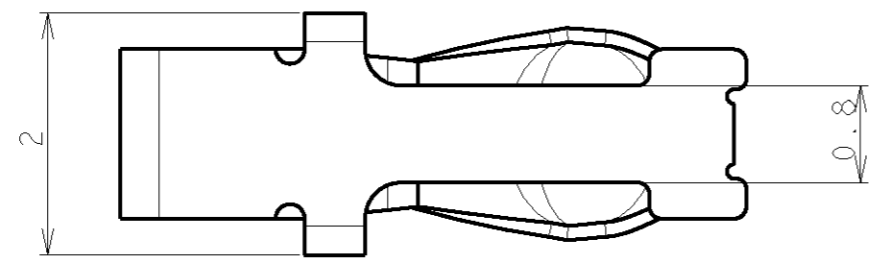
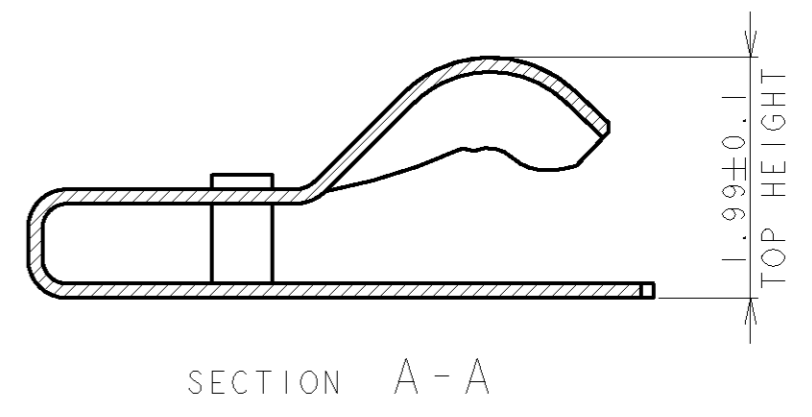
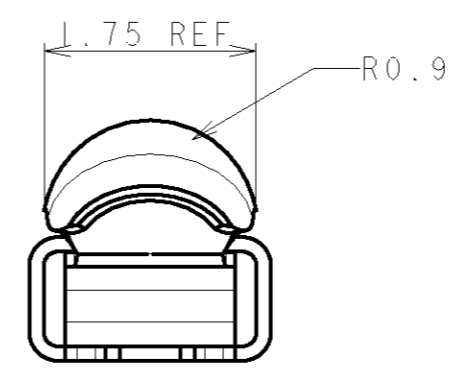
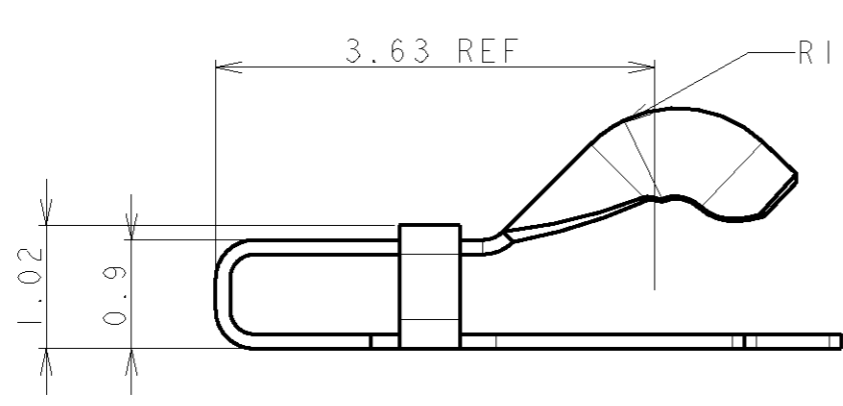
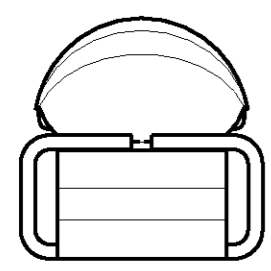


THIS DRAWING IS UNPUBLISHED. RELEASED FOR PUBLICATION 2008
 © COPYRIGHT 2008 BY TYCO ELECTRONICS CORPORATION. ALL RIGHTS RESERVED.

| LOC | DIST | REVISIONS 変更 | | | |
|-----|------|-----------------|----------|-----------|---------|
| P | LTR | DESCRIPTION | DATE | DWN | APVD |
| J | | A | RELEASED | 17JUL2009 | C.O Y.N |



AS SHOWN : - 1



- 1 MATERIAL ELEMENT : COPPER ALLOY, THICKNESS: 0.12mm
- 2 FINISH ELEMENT : SOLDERING TINE SURFACE Au PLATING; 0.0005mmMIN.
CONTACT AREA Au PLATING; 0.00025mmMIN.
ALL OVER NICKEL PLATING.

| | | | | |
|--|--|---------------------------------|---|---|
| THIS DRAWING IS A CONTROLLED DOCUMENT FOR TYCO ELECTRONICS CORPORATION IT IS SUBJECT TO CHANGE AND THE CONTROLLING ENGINEERING ORGANIZATION SHOULD BE CONTACTED FOR THE LATEST REVISION. | | DWN C.OHASHI 17JUL2009 | Tyco Electronics Tyco Electronics Corporation Kawasaki, Japan | |
| DIMENSIONS: 単位: 概 mm | | CHK Y.NAKAZAWA 17JUL2009 | NAME SHIELD FINGER 199 14 | |
| TOLERANCES UNLESS OTHERWISE SPECIFIED: 一般公差 ±0.15 0-PLC ± 1-PLC ± 2-PLC ± 3-PLC ± 4-PLC ± ANGLES ±1° | | APVD Y.NAKAZAWA 17JUL2009 | RESTRICTED TO - | |
| MATERIAL 材料 Copper Alloy | | FINISH 仕上 Ni, Au | PRODUCT SPEC 製品規格 108-XXXXX | APPLICATION SPEC 取付適用規格 114-XXXXX |
| | | WEIGHT 0.02g | SIZE A300779 | CAGE CODE C=2040761 |
| | | CUSTOMER DRAWING | SCALE 尺度 16:1 | SHEET 1 OF 2 |

4

3

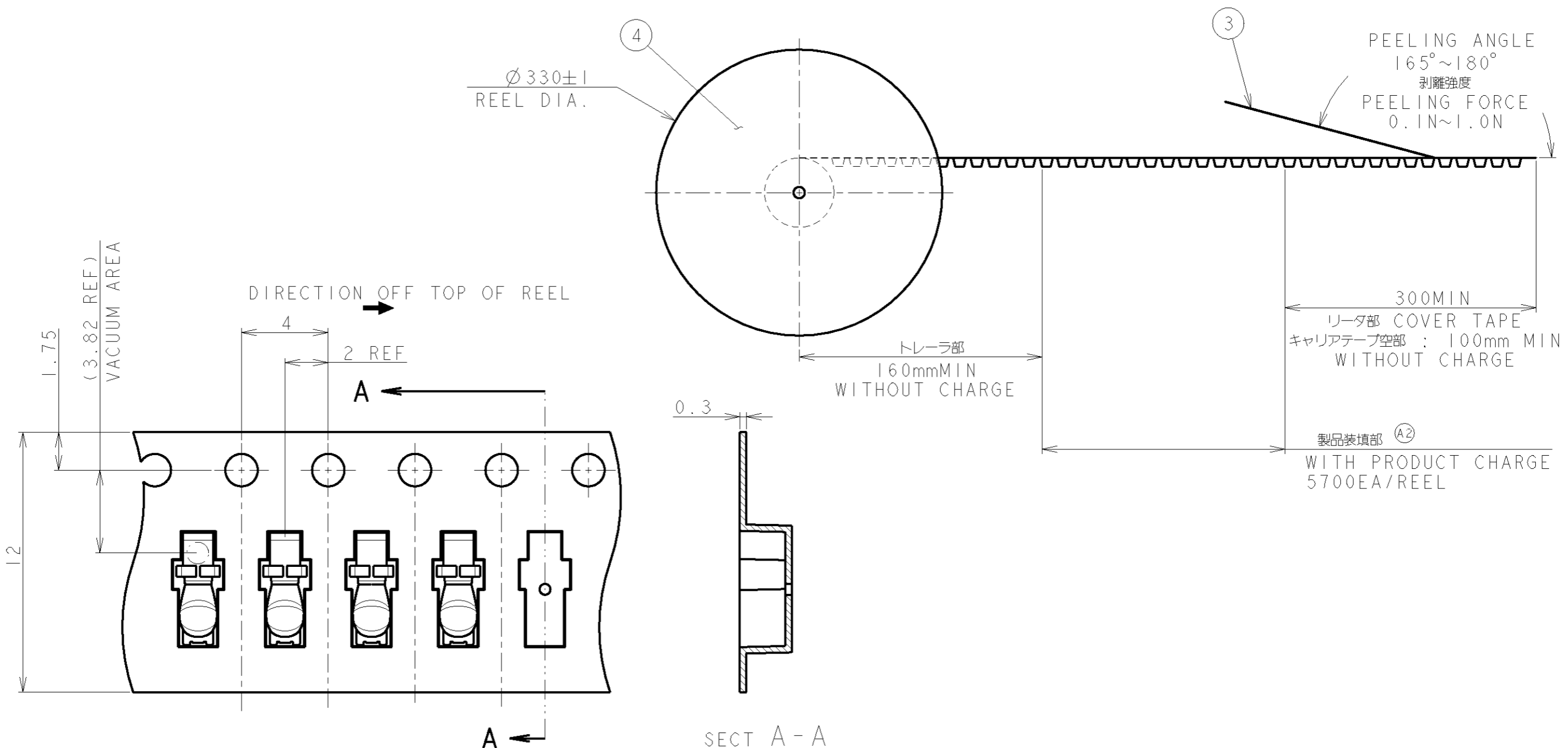
2

1

THIS DRAWING IS UNPUBLISHED. RELEASED FOR PUBLICATION 2008

© COPYRIGHT 2008 BY TYCO ELECTRONICS CORPORATION. ALL RIGHTS RESERVED.

| LOC | DIST | REVISIONS | | | | | |
|-----|------|-----------|-----|-------------|------|-----|------|
| J | | P | LTR | DESCRIPTION | DATE | DWN | APVD |
| | | - | | SEE SHEET 1 | - | - | - |



| | | | | | |
|--|--|---|--|---|--|
| THIS DRAWING IS A CONTROLLED DOCUMENT FOR TYCO ELECTRONICS CORPORATION IT IS SUBJECT TO CHANGE AND THE CONTROLLING ENGINEERING ORGANIZATION SHOULD BE CONTACTED FOR THE LATEST REVISION. | | DWN 17JUL2009 C. OHASHI | | Tyco Electronics Corporation Kawasaki, Japan | |
| DIMENSIONS: 単位: 概 mm | | TOLERANCES UNLESS OTHERWISE SPECIFIED: 一般公差 ±0.2 0-PLC ± 1-PLC ± 2-PLC ± 3-PLC ± 4-PLC ± ANGLES ±1° | | CHK 17JUL2009 Y. NAKAZAWA APVD 17JUL2009 Y. NAKAZAWA | |
| | | MATERIAL 材料 Copper Alloy | | FINISH 仕上 Ni, Au | |
| PRODUCT SPEC 製品規格 108-XXXX | | APPLICATION SPEC 取付適用規格 114-XXXX | | NAME 名称 SHIELD FINGER 199 14 | |
| WEIGHT 0.02g | | SIZE A300779 | | DRAWING NO 番号 C=2040761 | |
| CUSTOMER DRAWING | | SCALE 尺度 16:1 | | RESTRICTED TO - | |
| | | SHEET 2 OF 2 | | REV A | |

X-ON Electronics

Largest Supplier of Electrical and Electronic Components

Click to view similar products for [EMI Gaskets, Sheets, Absorbers & Shielding](#) category:

Click to view products by [TE Connectivity](#) manufacturer:

Other Similar products are found below :

[23-76FSC-SN-24](#) [2-1616323-1](#) [4-1616259-0](#) [3013350A](#) [46J8501020.NN00](#) [3013310A](#) [3013325A](#) [3013308A](#) [3020604](#) [55005106](#) [3021302](#)
[3031313](#) [67SLH050050025PI00](#) [3021310](#) [0137131400](#) [6-34UT-070-BD-16](#) [303076048](#) [46J5N03020.NN00](#) [30206025](#) [260737](#) [30395641](#)
[3030403](#) [3690103020](#) [HNY-LT15CU4241](#) [46X7503020.NN00](#) [46X7501020.NN00](#) [46W5E02520.NN00](#) [46W5E01520.NN00](#) [302095032](#)
[30207032](#) [30210005](#) [46J5N02520.NN00](#) [3021213](#) [3020804](#) [3021004](#) [74273711](#) [74273704](#) [33403](#) [3031210](#) [3031008](#) [3031004](#) [3030903](#)
[30308055](#) [303076016](#) [303045018](#) [303035015](#) [3029564](#) [3025602](#) [3023502](#) [3022303](#)