

ITEM	QTY	U/M	DESCRIPTION
1	1	PC	PLASTIC BOX
2	1	PC	BOX LABEL
3	20	PC	AMS-DTL-23053 TUBING

UNLESS OTHERWISE SPECIFIED
DIMENSIONS ARE IN INCHES. METRIC
DIMENSIONS ARE IN BRACKETS.

DECIMAL TOLERANCES
.XXX ± 0.005 [0.13 mm]
.XX ± 0.01 [0.25 mm]
.X ± 0.1 [0.50 mm]

ANGLE TOLERANCE
ANGLE ± 1 DEG.

TYCO ELECTRONICS RESERVES THE RIGHT TO
AMEND THIS DRAWING AT ANY TIME. USERS
SHOULD EVALUATE THE SUITABILITY OF THE
PRODUCT FOR THEIR APPLICATION.

© 2011 Tyco Electronics Corporation. All rights reserved.

DRAWN
UNGUYEN

PART NUMBER
975264-000

THIRD ANGLE
PROJECTION

SCALE: NTS
DO NOT SCALE THIS DRAWING

SIZE
B

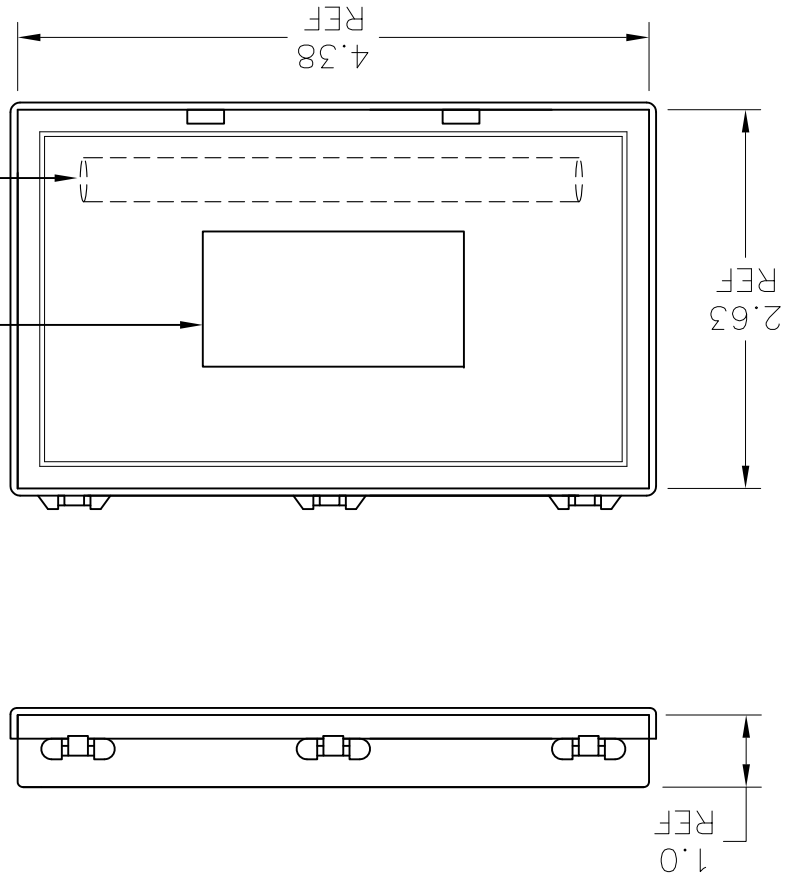
CODE IDENT. NO.
06090

DWG. NO.
MK-0001-30

TITLE
AMS-DTL-23053
TUBING PACKAGE

Raychem Devices
CUSTOMER DRAWING

TE
TE Connectivity



- NOTES:
1. TUBING MEETS THE REQUIREMENTS OF AMS-DTL-23053/8.
 2. TUBING: CLEAR, $\frac{1}{16}$ " ID, 4-IN LENGTH CUT PIECES.
 3. DIMENSIONS SHOWN ARE IN INCHES AND FOR REFERENCE ONLY.

REVISIONS	
LTR	DESCRIPTION
DATE	
A	INITIAL RELEASE PER ECO-11-011672
	06/06/2011

1 2 3 4

A B C D

X-ON Electronics

Largest Supplier of Electrical and Electronic Components

Click to view similar products for [Heat Shrink Tubing and Sleeves](#) category:

Click to view products by [TE Connectivity](#) manufacturer:

Other Similar products are found below :

[770-006S102](#) [5685710001](#) [CR8248-000](#) [CR9960-000](#) [603312-4](#) [607381P039](#) [611112-000](#) [617867N001](#) [6500750004](#) [CZ1420-000](#) [D-306-38](#)
[770-007A303](#) [770-010Y106W1](#) [770-010Y706W1](#) [7771210001](#) [MFP-1/4"-Clear](#) [MFP-3/64"-Clear](#) [790-3012](#) [MFT-MT2000-NO.14-0-SP](#)
[MHHT-4-15K2-G-104](#) [MIL-LT-1-1/2-4-SP](#) [MIL-LT-1-1/2-9-STK](#) [MIL-LT-1/2-2-STK](#) [MIL-LT-3-0-SP](#) [MIL-LT-3/32-0-SP](#) [MIL-LT-3/32-6-SP](#) [MIL-LT-3/4-6-SP](#) [MIL-LT-3/8-0-SP](#) [8159270001](#) [839602-000](#) [8423-6](#) [FP301-116-6"-Black](#) [FP301-1/2-48"-Black](#) [FP301-12-48"-Black-Hdr](#) [FP301-1/4-48"-Black](#) [FP301-1/4-48"-White-Hdr](#) [FP301-1-6"-Clear](#) [FP301-18-48"-Black-Hdr](#) [FP301-1/8-6"-Black](#) [FP301-18-6"-Black-Bulk](#) [FP301-316-48"-Blue-Hdr](#) [FP301-316-6"-Clear](#) [FP301-332-6"-Black](#) [912229N002](#) [120-126-16BL](#) [121-001-09](#) [121-018-32](#) [121-018-40](#)
[121-123-1-1-32BTC](#) [121-123-1-1-40BTC](#)