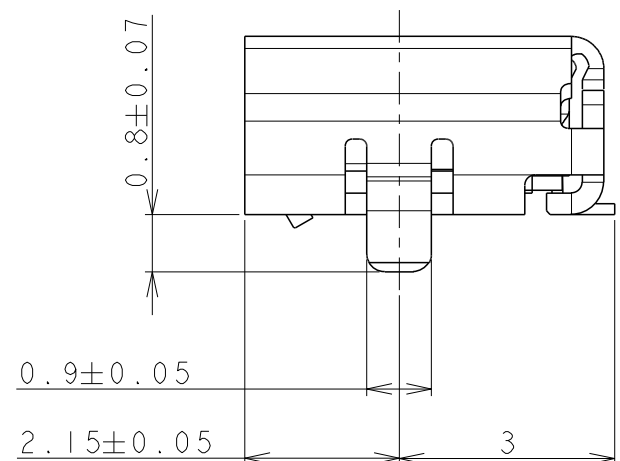
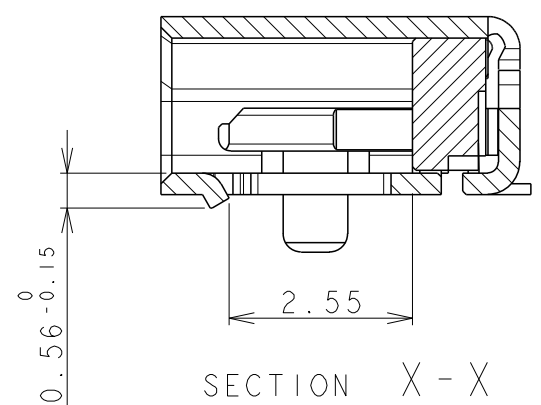
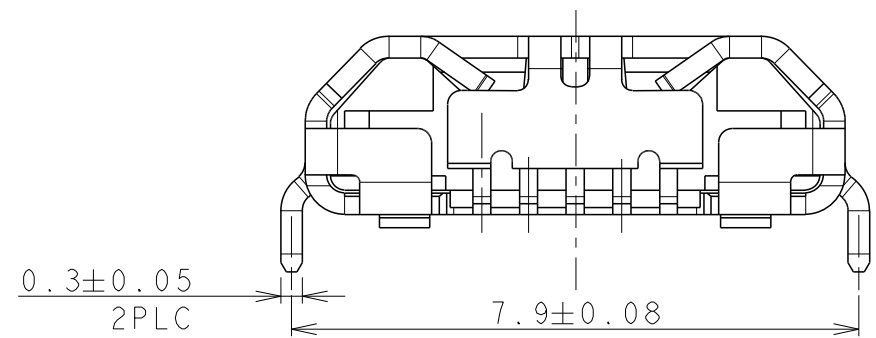


6 RECOMMENDED PCB LAYOUT (GENERAL TOLERANCE: ±0.05)
VIEWED FROM CONNECTOR MOUNT SIDE
SCALE 5:1



- △ MATERIAL
CONTACT: COPPER ALLOY
SHELL: STAINLESS STEEL
HOUSING: HIGH TEMPERATURE THERMO PLASTIC
UL94V-0 BLACK
- △ FINISH
CONTACT: 0.5 um MIN. GOLD PLATING ON CONTACT SURFACE AND
0.05 um MIN. GOLD PLATING ON SOLDERING TINE SURFACE
ALL OVER 0.8 um MIN NICKEL UNDER PLATING.
SHELL: TIN PLATING ALL OVER NICKEL UNDER PLATING.
- 3 CONTACT COPLANARITY: 0.08 MAX
REFERENCE PICK AND PLACE AREA.
- △ DATE CODE MARKING: YWWD (YEAR/WEEK/DAY)
SLP4 (SHIFT, LINE, P4=REVISION CODE)
- △ 7 RECOMMENDED PCB THICKNESS: 1.0±0.08
RECOMMENDED STENCIL THICKNESS: 0.10mm.



1932788-1; AS SHOWN

THIS DRAWING IS A CONTROLLED DOCUMENT.		DWN	01AUG2011	 TE Connectivity	NAME MICRO USB CONNECTOR RECEPTACLE REVERSE TYPE B FLANGELESS
DIMENSIONS: mm		CHK	Ming Shi		
TOLERANCES UNLESS OTHERWISE SPECIFIED: ±0.3		APVD	Martin Li		
0 PLC ± 1 PLC ± 2 PLC ± 3 PLC ± 4 PLC ± ANGLES ±5°		PRODUCT SPEC	108-115022-1		
MATERIAL		APVD	Steven Yao	APPLICATION SPEC	RESTRICTED TO
FINISH		WEIGHT	0.226g	SIZE	A300779
△ 1 △ 2		CUSTOMER DRAWING	SCALE 8:1	DRAWING NO	C=1932788
				SHEET	1 OF 2
				REV	A

4

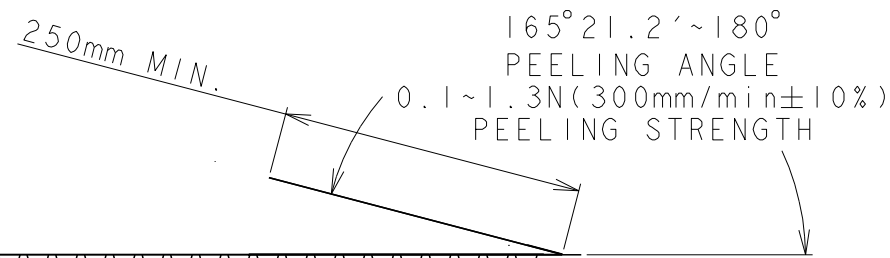
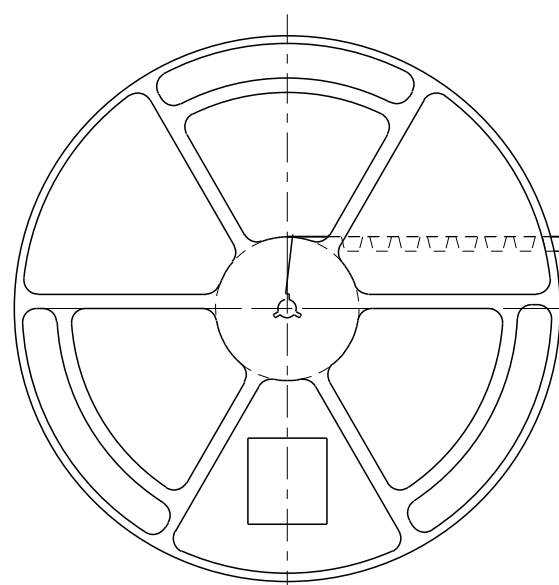
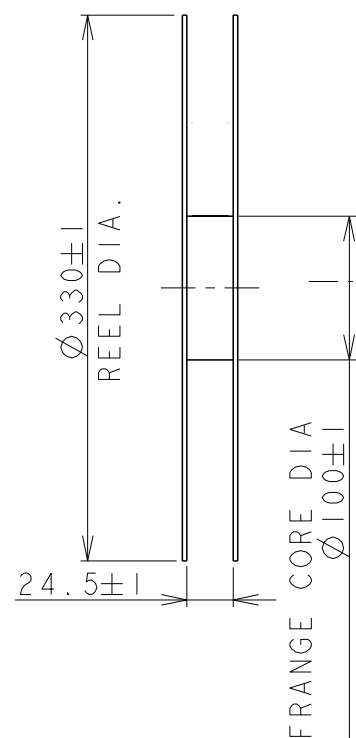
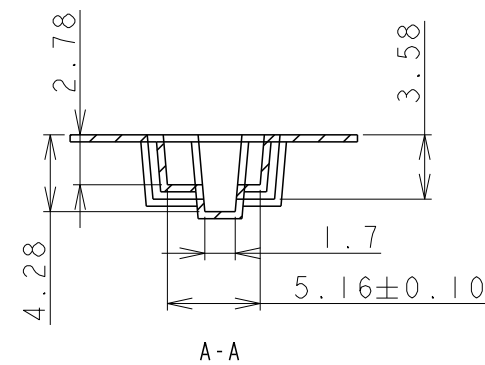
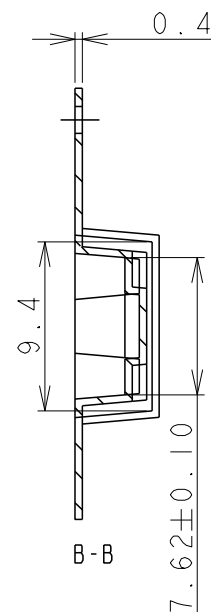
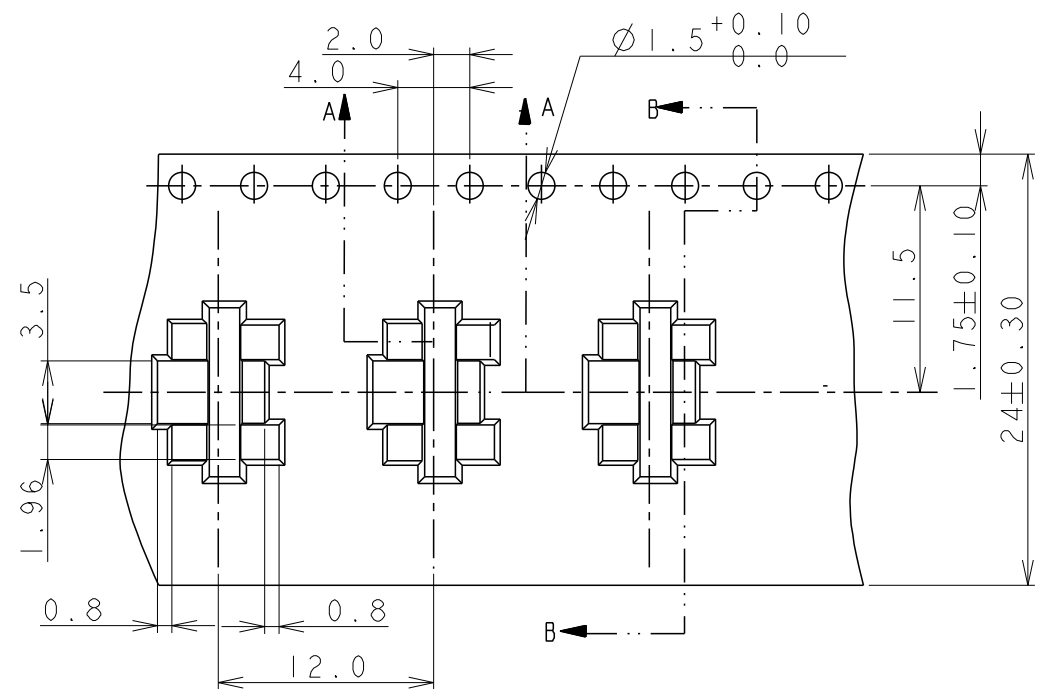
3

2

1


THIS DRAWING IS UNPUBLISHED. RELEASED FOR PUBLICATION 20
© COPYRIGHT 20 ALL RIGHTS RESERVED.

LOC	DIST	REVISIONS					
ES	00	P	LTR	DESCRIPTION	DATE	DWN	APVD
		A		SEE SHEET 1	01AUG2011	Y.H	S.Y



40mm MIN. WITHOUT CHARGE SEALED WITH COVER TAPE | WITH PRODUCT CHARGE 1000 PCS/IREEL | 100mm MIN. WITHOUT CHARGE SEALED WITH COVER TAPE

NOTES:
1. MATERIAL: ANTISTATIC PS CLEAR, THICKNESS 0.40mm.
2. QUANTITY PER REEL: 1000 PCS.

THIS DRAWING IS A CONTROLLED DOCUMENT.		DWN	01AUG2011	 TE Connectivity	MICRO USB CONNECTOR RECEPTACLE REVERSE TYPE B FLANGELESS					
DIMENSIONS: mm		CHK	01AUG2011							
TOLERANCES UNLESS OTHERWISE SPECIFIED: ±0.3		APVD	01AUG2011							
0-PLC ± 1-PLC ± 2-PLC ± 3-PLC ± 4-PLC ± ANGLES ±5°		NAME	Steven Yao							
MATERIAL		FINISH	PRODUCT SPEC	108-115022-1	APPLICATION SPEC					
		WEIGHT	X.XXg	SIZE	A3	CAGE CODE	00779	DRAWING NO	C=1932788	RESTRICTED TO
		CUSTOMER DRAWING	SCALE	8:1	SHEET	2	OF	2	REV	A

X-ON Electronics

Largest Supplier of Electrical and Electronic Components

Click to view similar products for [Wire Identification](#) category:

Click to view products by [TE Connectivity](#) manufacturer:

Other Similar products are found below :

[CU6337-000](#) [CU6342-000](#) [FCA-410-12](#) [11631010](#) [1-1768037-1](#) [1-1768037-2](#) [1-1768050-0](#) [PXLK-VI](#) [Q62184-1](#) [A64304-000](#) [QMT221](#)
[HK032WE1NF038B](#) [1330-0519-10](#) [1395199-1](#) [1395200-1](#) [1395202-1](#) [DMVF050WE-300S6](#) [D-SCE-1K-2.4-50-4-CS7834](#) [1538738-1](#)
[E90935-000](#) [EC1238-000](#) [EC1465-000](#) [EC1855-000](#) [EC1859-000](#) [EC1863-000](#) [EC5415-000](#) [EC7277-000](#) [EC7352-000](#) [EC7603-000](#)
[EC7707-000](#) [EC7735-000](#) [EC7768-000](#) [EC7828-000](#) [EC7854-000](#) [EC7952-000](#) [EC8128-000](#) [1768037-8](#) [1768041-7](#) [NC-127191-10-9](#)
[HS048WE2NF038B](#) [C03232-000](#) [HTCM-SCE-14-4H-9](#) [HTMS-3/16-9](#) [HT-SCE-1/4-2.0-4](#) [HT-SCE-3/16-2.0-4](#) [HTTMS-1/2-1.50-9](#) [HTTMS-](#)
[CM-1/2-4H-9](#) [HX-SCE-19.0-50-9](#) [HX-SCE-6.4-50-4](#) [C25254-000](#)