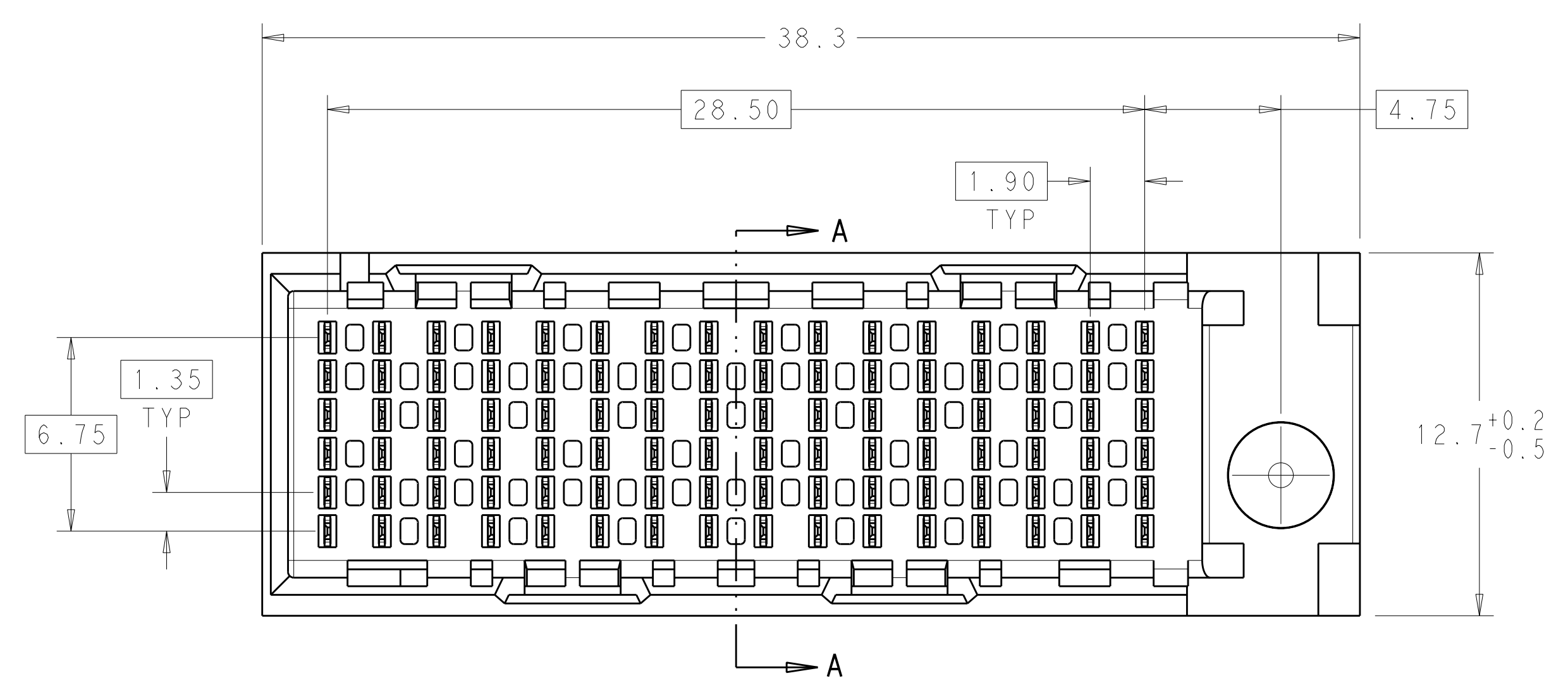
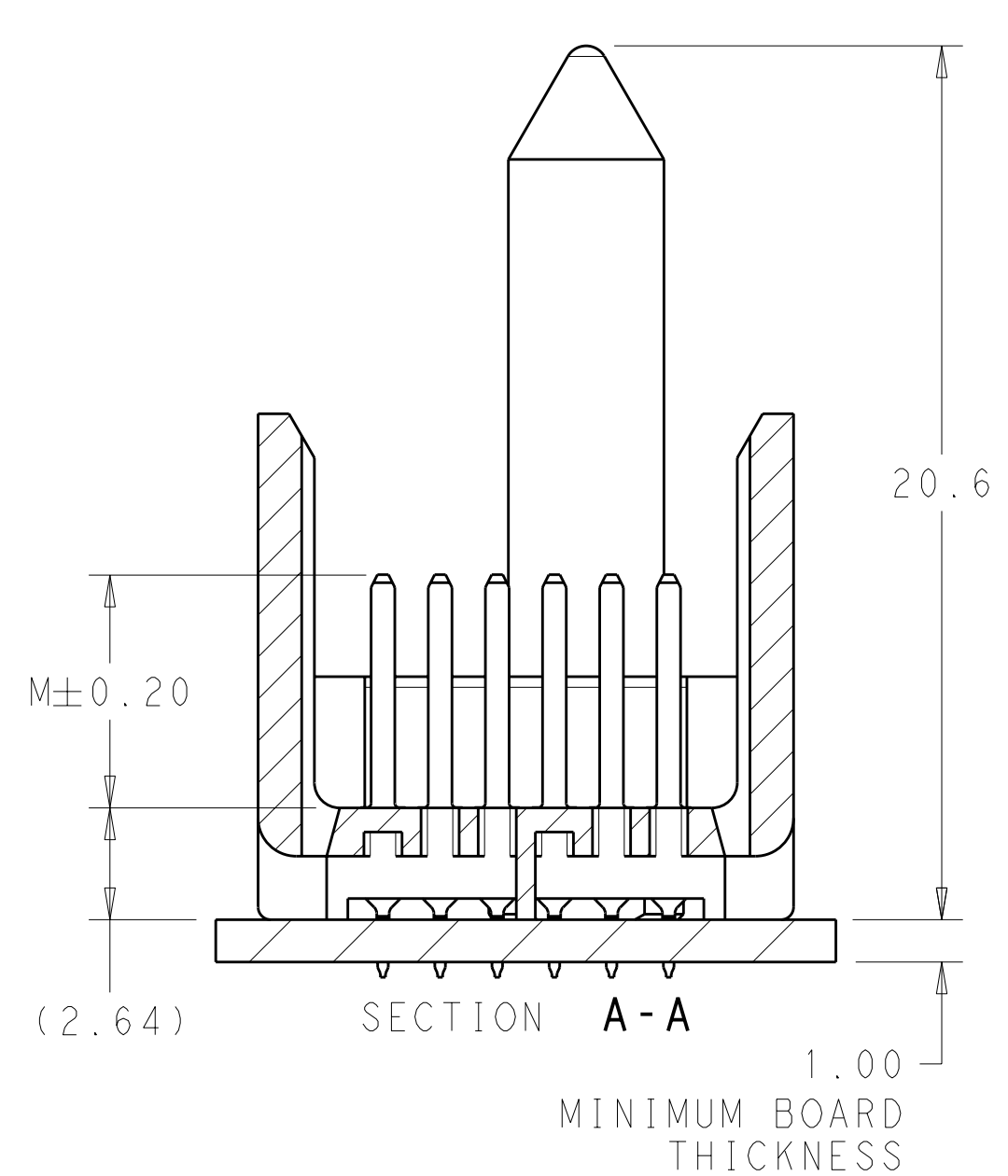
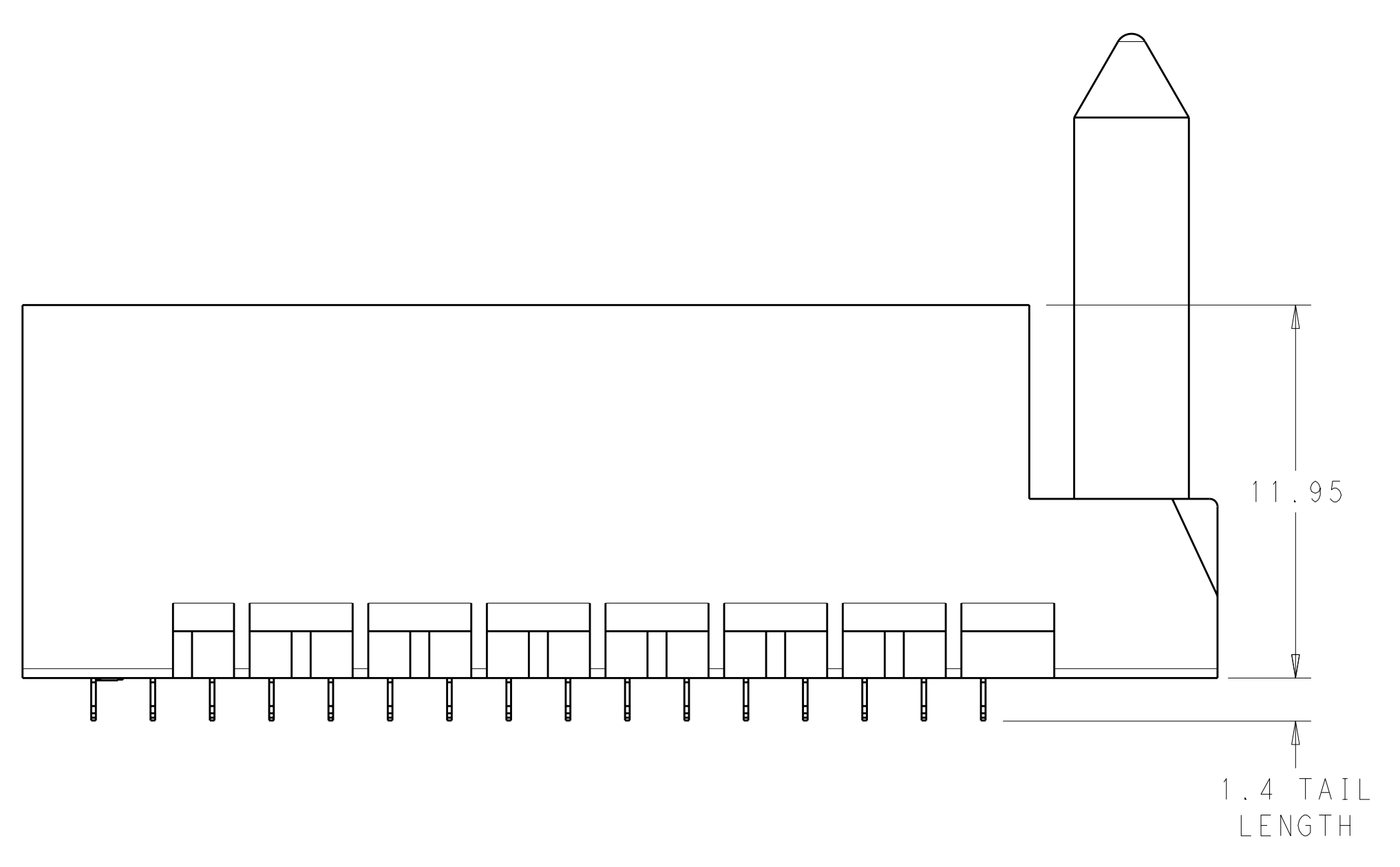
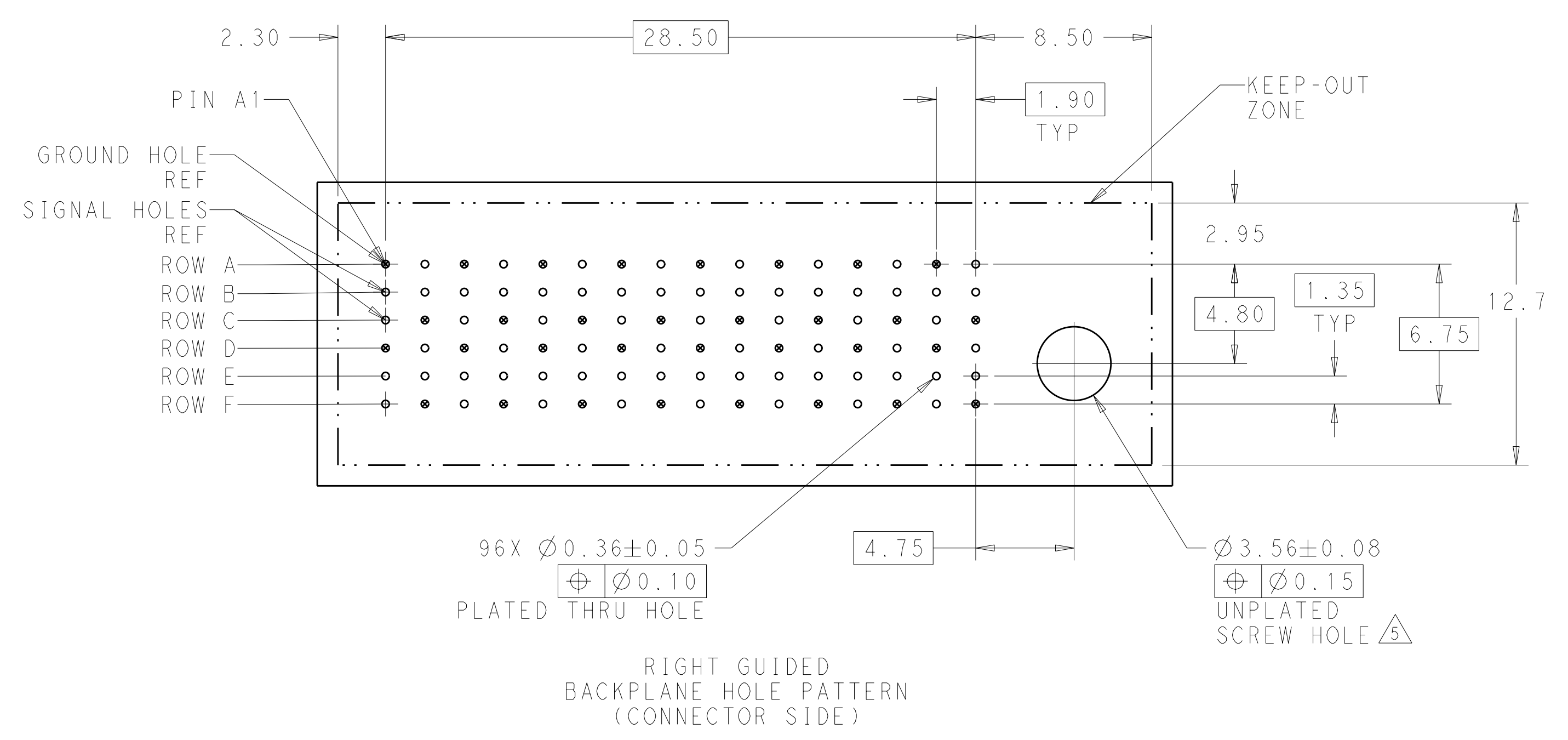
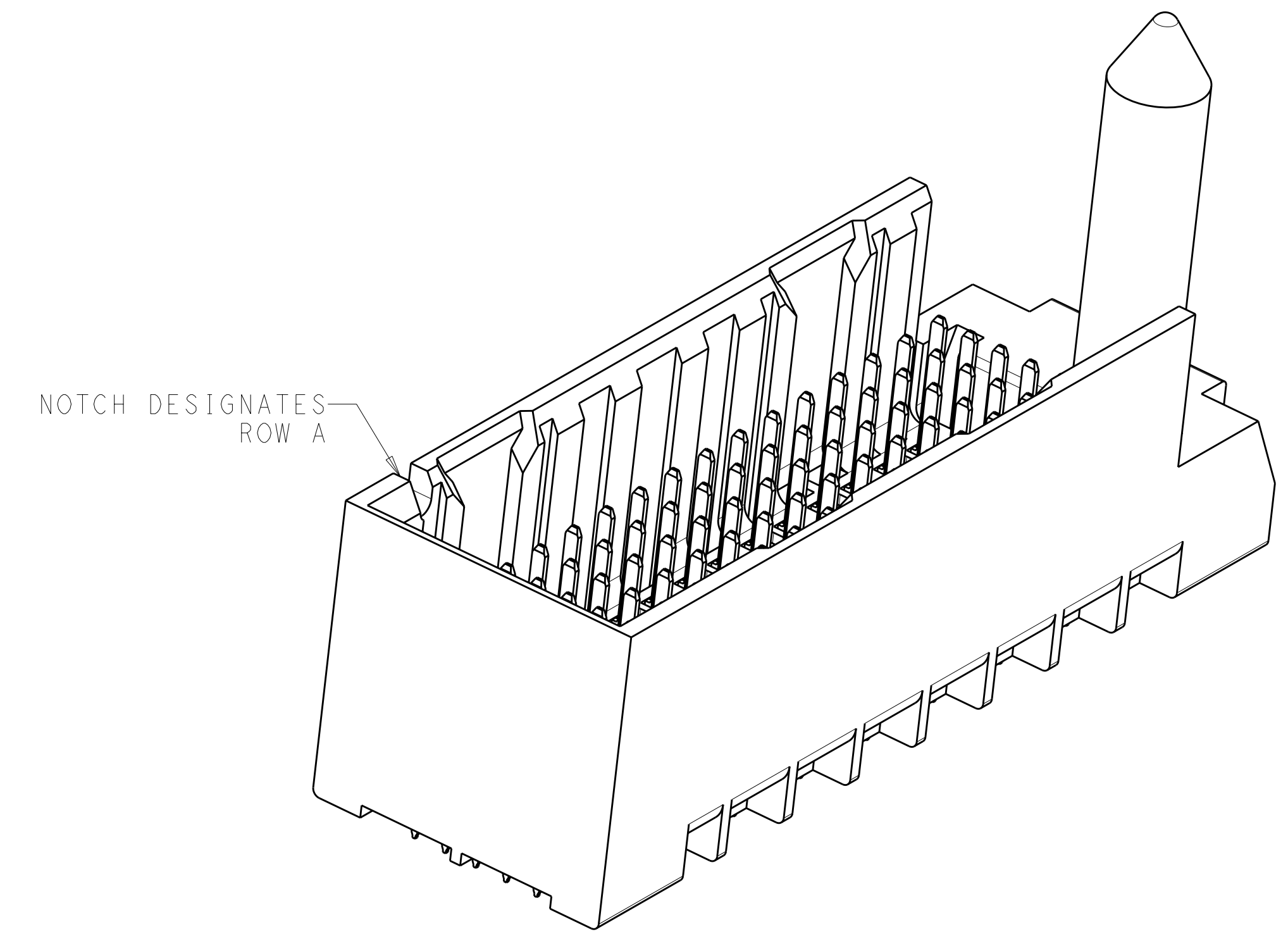


LOC	DIST	REV	DATE	BY	APPD
AD	00	B	05JAN2012	KH	DY
		REVISIONS			
		DESCRIPTION	DATE	DWN	APPD
		B	REVISD PER ECO-11-025276	05JAN2012	KH



- 1 MATERIAL:
HOUSING: LCP, GLASS FILLED, UL94V-0.
TERMINALS: HIGH PERFORMANCE COPPER ALLOY.
- 2 FINISH:
30μ" MIN GOLD IN CONTACT AREA. SELECTIVE TIN
ON PCB TAILS, NICKEL OVERALL.
- 3 FINISH:
30μ" MIN GOLD IN CONTACT AREA. SELECTIVE TIN-LEAD
ON PCB TAILS, NICKEL OVERALL.
- 4. SCREWS PACKAGED IN END OF PACKAGING TUBE.
- 5 FOR GROUNDED GUIDE PIN USE $\varnothing 3.56 \pm 0.08$ PTH,
 $\varnothing 3.66$ DRILL, AND $\varnothing 6.5$ PAD.




THIS DRAWING IS A CONTROLLED DOCUMENT.		DWN J. K. SHOBER 3NOV2011	TE Connectivity
DIMENSIONS: mm		CHK J. EBY 3NOV2011	
TOLERANCES UNLESS OTHERWISE SPECIFIED:		APVD J. EBY 3NOV2011	NAME IMPACT, 2 PAIR, 16 COLUMN, HEADER
Ø	9 PLC ±	PRODUCT SPEC	RIGHT GUIDED, LEFT END WALL
PLC	1 PLC ±0.25	APPLICATION SPEC	SIGNAL MODULE, 0.36 PTH
PLC	2 PLC ±0.13	SIZE CAGE CODE DRAWING NO	A100779C=2057743
PLC	3 PLC ±	WEIGHT	RESTRICTED TO
PLC	4 PLC ±	CUSTOMER DRAWING	SCALE 6:1 SHEET 1 OF 2 REV B
ANGLES	FINISH SEE TABLE		

THIS DRAWING IS UNPUBLISHED. RELEASED FOR PUBLICATION 20
 © COPYRIGHT 20 . . . ALL RIGHTS RESERVED.

LOC	DIST	REVISIONS				
AD	00	P	LTB	DATE	DWN	APVD
		-	-	SEE SHEET 1	-	-

FINISH	DIM M	PART NUMBER
△3	5.5	2057743-6
△3	4.9	2057743-5
△3	4.5	2057743-4
△2	5.5	2057743-3
△2	4.9	2057743-2
△2	4.5	2057743-1

REFER TO WWW.TE.COM
FOR PRODUCT AVAILABILITY

THIS DRAWING IS A CONTROLLED DOCUMENT.		DWN J. K. SHOBER 3NOV2011	 TE Connectivity
DIMENSIONS: mm		CHK J. EARY 3NOV2011	
TOLERANCES UNLESS OTHERWISE SPECIFIED: 9 PLC ± 7 PLC ±0.25 5 PLC ±0.13 4 PLC ± ANGLES ± FINISH SEE TABLE		APVD J. EARY 3NOV2011	NAME IMPACT, 2 PAIR, 16 COLUMN, HEADER RIGHT GUIDED, LEFT END WALL SIGNAL MODULE, 0.36 PTH
MATERIAL -	SEE TABLE	PRODUCT SPEC -	APPLICATION SPEC -
CUSTOMER DRAWING		WEIGHT -	RESTRICTED TO -
SCALE 5:1		SHEET 2 OF 2	REV B

X-ON Electronics

Largest Supplier of Electrical and Electronic Components

Click to view similar products for [High Speed/Modular Connectors](#) category:

Click to view products by [TE Connectivity](#) manufacturer:

Other Similar products are found below :

[2332816-1](#) [89006-1137LF](#) [650827-1](#) [65762-001LF](#) [73474-201LF](#) [74040-1346](#) [74075-0267](#) [1410191-1](#) [1410337-1](#) [1410368-3](#) [1410964-2](#)
[1410367-3](#) [1410971-4](#) [1467833-1](#) [2000877-1](#) [2000878-1](#) [2041314-1](#) [2065387-1](#) [2187307-1](#) [2187462-1](#) [2226278-6](#) [KA81-07](#) [91290-101LF](#)
[163P](#) [1934290-1](#) [2000875-1](#) [2065917-1](#) [2102736-2](#) [FSR-40](#) [2169868-2](#) [2226279-2](#) [22354-8](#) [437-5040-000](#) [5-1393565-0](#) [532449-3](#) [532803-](#)
[2](#) [34745-0001](#) [0736440217](#) [1-1393708-5](#) [72388-0021LF](#) [73774-1000](#) [532939-1](#) [5-531355-3](#) [5532901-3](#) [85838-180LF](#)
[HM1S43TRR460H6PLF](#) [0760205010](#) [1-966831-4](#) [3-1469268-7](#) [77427-121LF](#)