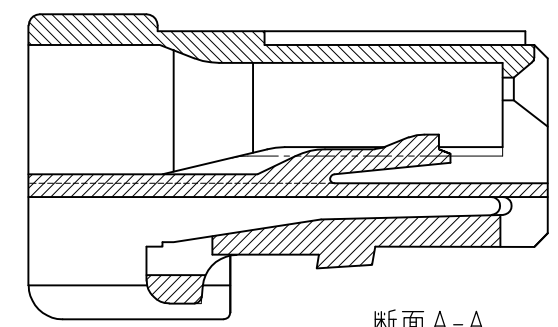
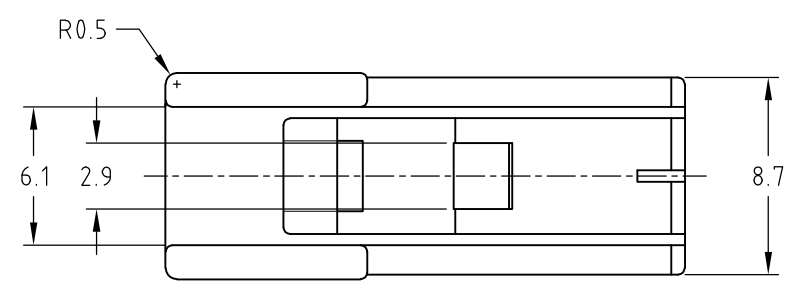


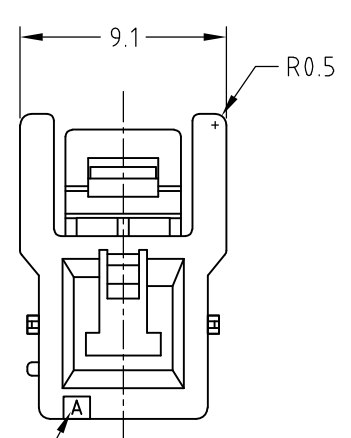
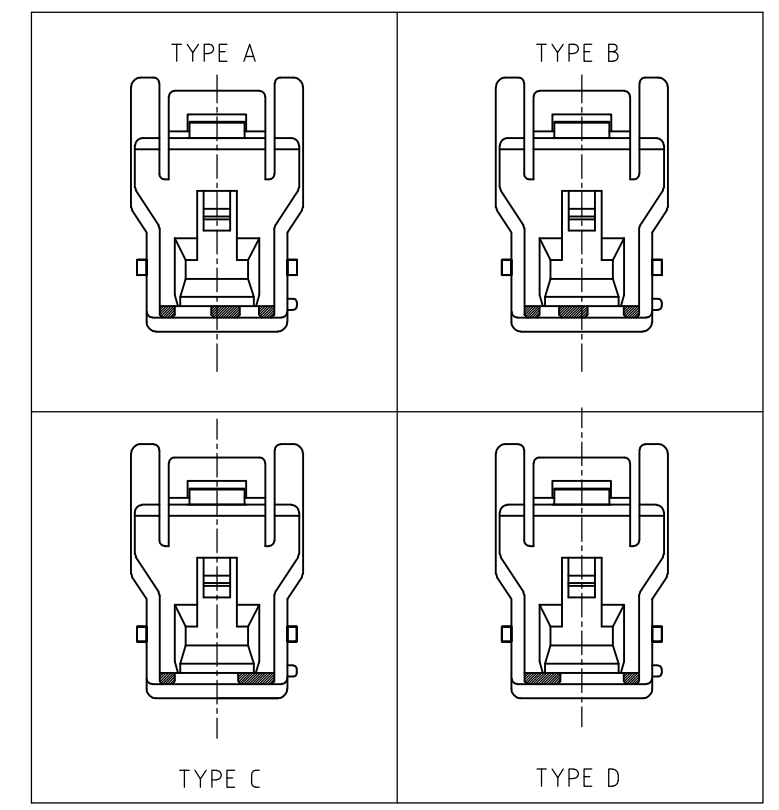
THIS DRAWING IS UNPUBLISHED. RELEASED FOR PUBLICATION
 © COPYRIGHT BY TYCO ELECTRONICS CORPORATION. ALL RIGHTS RESERVED.

| | | | | |
|-----|------|---------------------------|---------|------|
| LOC | DIST | REVISIONS | | |
| J | — | 変更 | | |
| P | LTR | DESCRIPTION | DATE | DWN |
| | E1 | REVISED PER ECR-10-019978 | 01OCT10 | HMR |
| | | | | APVD |
| | | | | TM |

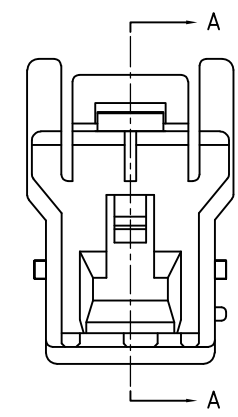
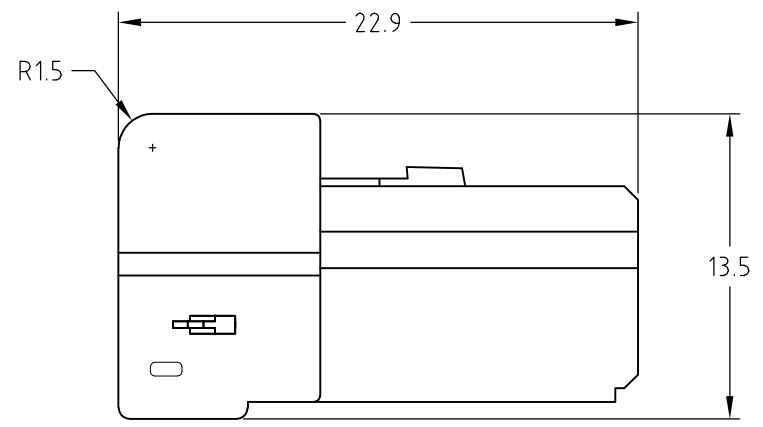


断面A-A
SECT A-A

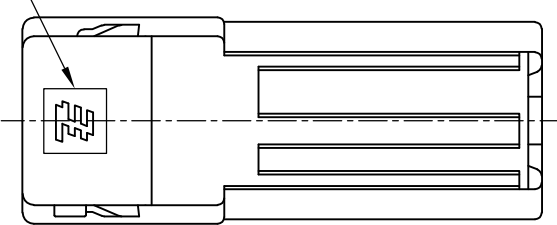
TYPE OF KEYING



キャビティマーク
CAVITY MARK



トレードマーク
TRADE MARK



- 注記
1. 一般公差: ±0.3
 2. 材料: 66ナイロン ガラス無 (UL94V-0)
 3. 適用リセコンタクト型番: 1746971-1
1746972-1
- △ かん合相手製品型番
 キャップハウジング: TABLE参照のこと
 タブコンタクト: 1746973-1
 1746974-1

- NOTE
1. GENERAL TOLERANCE: ±0.3
 2. MATERIAL: 66NYLON NON-GLASS FILLED(UL94V-0)
 3. APPLICABLE RECEPTACLE P/N: 1746971-1
1746972-1
- △ MATING CONN.P/N
 CAP HOUSING: SEE TABLE
 TAB CONTACT: 1746973-1
 1746974-1

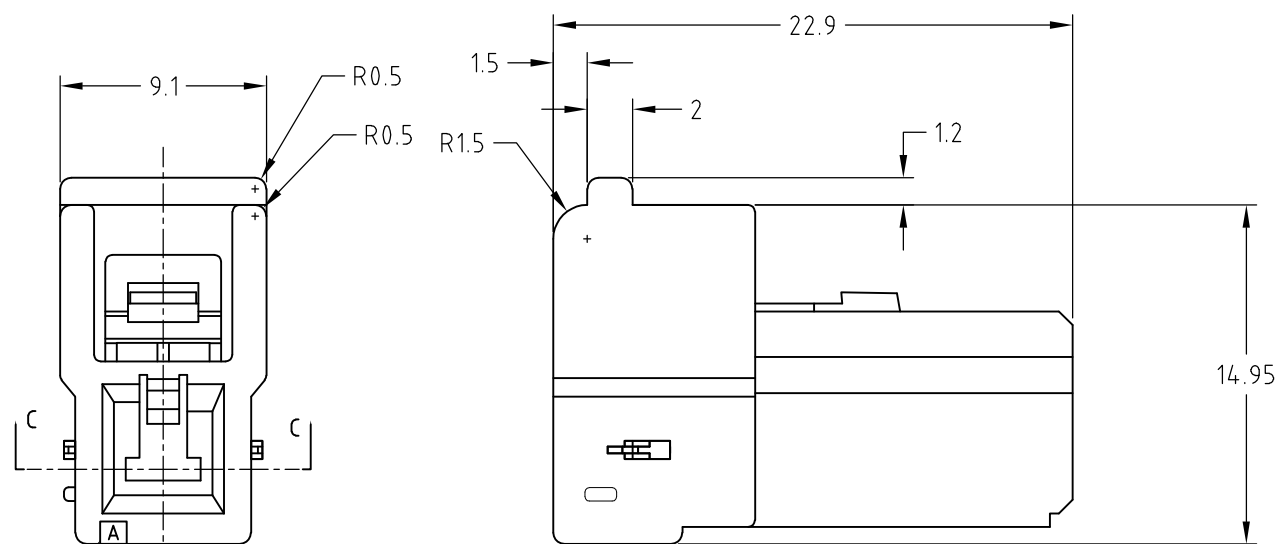
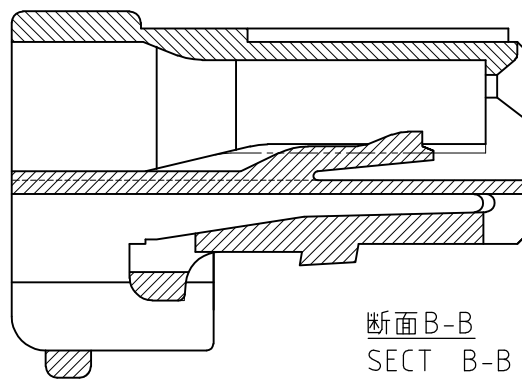
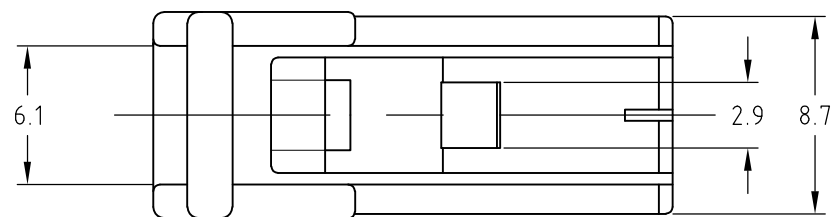
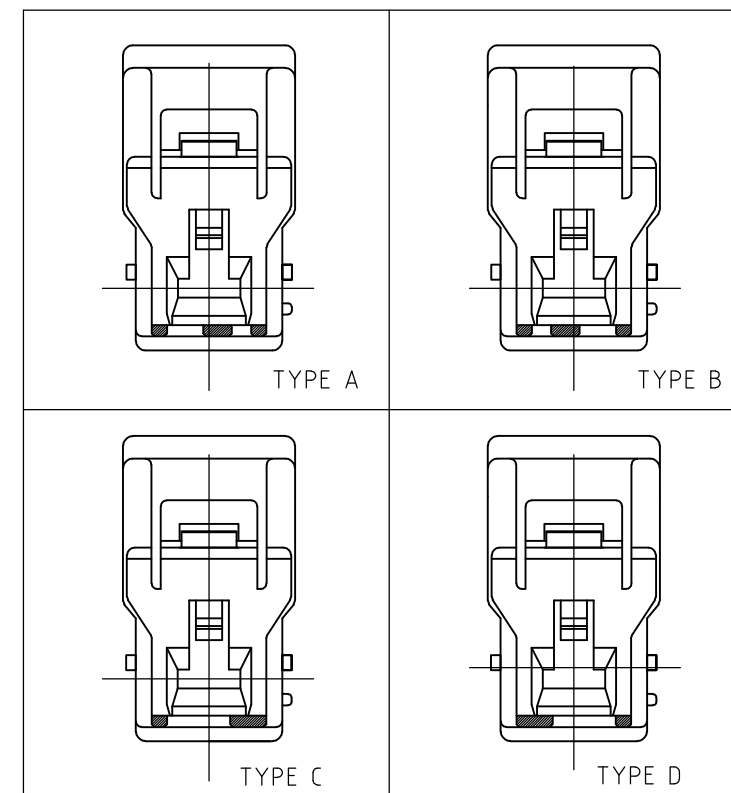
| | | | |
|---------------------------|---|----------------------|-------------|
| 3-1903684-4 | D | 赤色 RED | 3-1903683-4 |
| 2-1903684-3 | C | 青色 BLUE | 2-1903683-3 |
| 1-1903684-2 | B | 黄色 YELLOW | 1-1903683-2 |
| 1903684-1 | A | 自然色 NATURAL | 1903683-1 |
| かん合相手型番 MATING HSG P/N | △ | キーイング KEYING TYPE | 型番 P/N |
| | | 色調 COLOR | |

| | | | | | |
|---|--|--|------------|--|--|
| THIS DRAWING IS A CONTROLLED DOCUMENT. | | DWN | J.SATO | 01FEB2006 | Tyco Electronics AMP K.K. Kawasaki, Japan |
| DIMENSIONS: 単位: 耗 mm | | CHK | N.YAMASAKI | 01FEB2006 | |
| TOLERANCES UNLESS OTHERWISE SPECIFIED: 一般公差 | | APVD | N.YAMASAKI | 01FEB2006 | NAME 名称 |
| 0 PLC ± 1 PLC ± 2 PLC ± 3 PLC ± 4 PLC ± ANGLES ± | | PRODUCT SPEC 製品規格 | | GRACE INERTIA CONNECTOR 6.2MM PITCH 1P PLUG HOUSING | |
| MATERIAL 材料 SEE NOTE 2 | | APPLICATION SPEC 取付適用規格 114-5356 | | SIZE | A3 |
| FINISH 仕上 | | WEIGHT | | CAGE CODE | 00779 |
| | | CUSTOMER DRAWING | | DRAWING NO 番号 | G-1903683 |
| | | | | RESTRICTED TO | — |
| | | | | SCALE 尺度 | 3:1 |
| | | | | SHEET | 1 OF 2 |
| | | | | REV | E1 |

THIS DRAWING IS UNPUBLISHED. RELEASED FOR PUBLICATION
 © COPYRIGHT BY TYCO ELECTRONICS CORPORATION. ALL RIGHTS RESERVED.

| LOC | DIST | REVISIONS | | | | | |
|-----|------|-----------|-----|-------------|------|-----|------|
| J | — | P | LTR | DESCRIPTION | DATE | DWN | APVD |
| | | | | SEE SHEET 1 | — | — | — |

TYPE OF KEYING



キャビティマーク
CAVITY MARK

トレードマーク
TRADE MARK



| | | | |
|---------------------------|----------------------|----------------|-------------|
| 3-1903684-4 | D | 赤色 RED | 7-1903683-4 |
| / | | | |
| 1903684-1 | A | 自然色 NATURAL | 4-1903683-1 |
| かん合相手型番 MATING HSG P/N | キーイング KEYING TYPE | 色調 COLOR | 型番 P/N |

| | | | | | |
|---|--|----------------------|--|--|--------------------|
| THIS DRAWING IS A CONTROLLED DOCUMENT. | | DWN J.SATO | 01FEB2006 | Tyco Electronics AMP K.K. Kawasaki, Japan | |
| DIMENSIONS: 単位: 耗 mm | | CHK N.YAMASAKI | 01FEB2006 | | |
| TOLERANCES UNLESS OTHERWISE SPECIFIED: 一般公差 | | APVD N.YAMASAKI | 01FEB2006 | NAME 名称 GRACE INERTIA CONNECTOR 6.2MM PITCH 1P PLUG HOUSING | |
| 0 PLC ± 1 PLC ± 2 PLC ± 3 PLC ± 4 PLC ± ANGLES ± | | PRODUCT SPEC 製品規格 | APPLICATION SPEC 取付適用規格 114-5356 | | RESTRICTED TO |
| MATERIAL 材料 SEE NOTE 2 | | FINISH 仕上 | WEIGHT | SIZE A3 | CAGE CODE 00779 |
| CUSTOMER DRAWING | | | DRAWING NO 番号 G-1903683 | SCALE 尺度 3:1 | SHEET 2 OF 2 |
| | | | | REV E1 | |

X-ON Electronics

Largest Supplier of Electrical and Electronic Components

Click to view similar products for [Power to the Board](#) category:

Click to view products by [TE Connectivity](#) manufacturer:

Other Similar products are found below :

[10131318-08512GRLF](#) [6450171-4](#) [6450552-7](#) [6600323-8](#) [6643429-1](#) [6646040-2](#) [6651939-1](#) [6766604-1](#) [120959-1](#) [1393557-2](#) [1393532-2](#)
[1393532-3](#) [1393532-4](#) [1393557-1](#) [1600812-5](#) [1-6450861-2](#) [1645595-1](#) [1743490-1](#) [1744132-7](#) [1761122-1](#) [1766169-1](#) [1766250-1](#) [18362](#)
[1892109-1](#) [1-967627-6](#) [2226808-1](#) [2-6450860-5](#) [2-6450860-6](#) [2-6450870-0](#) [93003-0502](#) [953552-1](#) [1-6450161-4](#) [1-6450850-6](#) [1645526-2](#) [1-](#)
[6600130-0](#) [1743419-1](#) [1766150-1](#) [2005243-2](#) [211110-1](#) [2-6600130-2](#) [TE34-12-16P-F0](#) [5-6450830-6](#) [5646956-4](#) [36662-0005](#) [40585-3000](#) [4-](#)
[6450830-9](#) [4-6600333-3](#) [51142-0214](#) [10134048-911LF](#) [10130248-005LF](#)