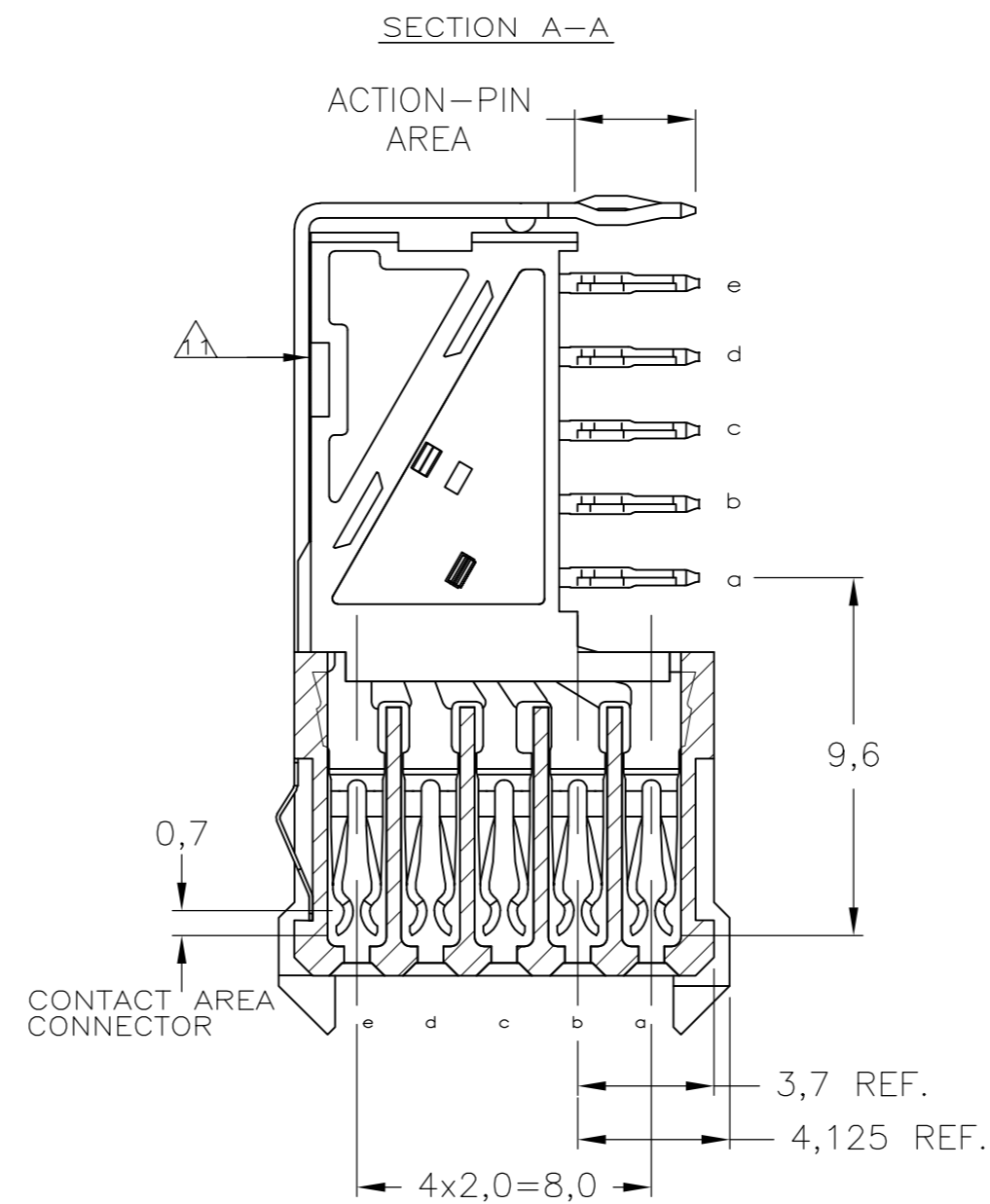
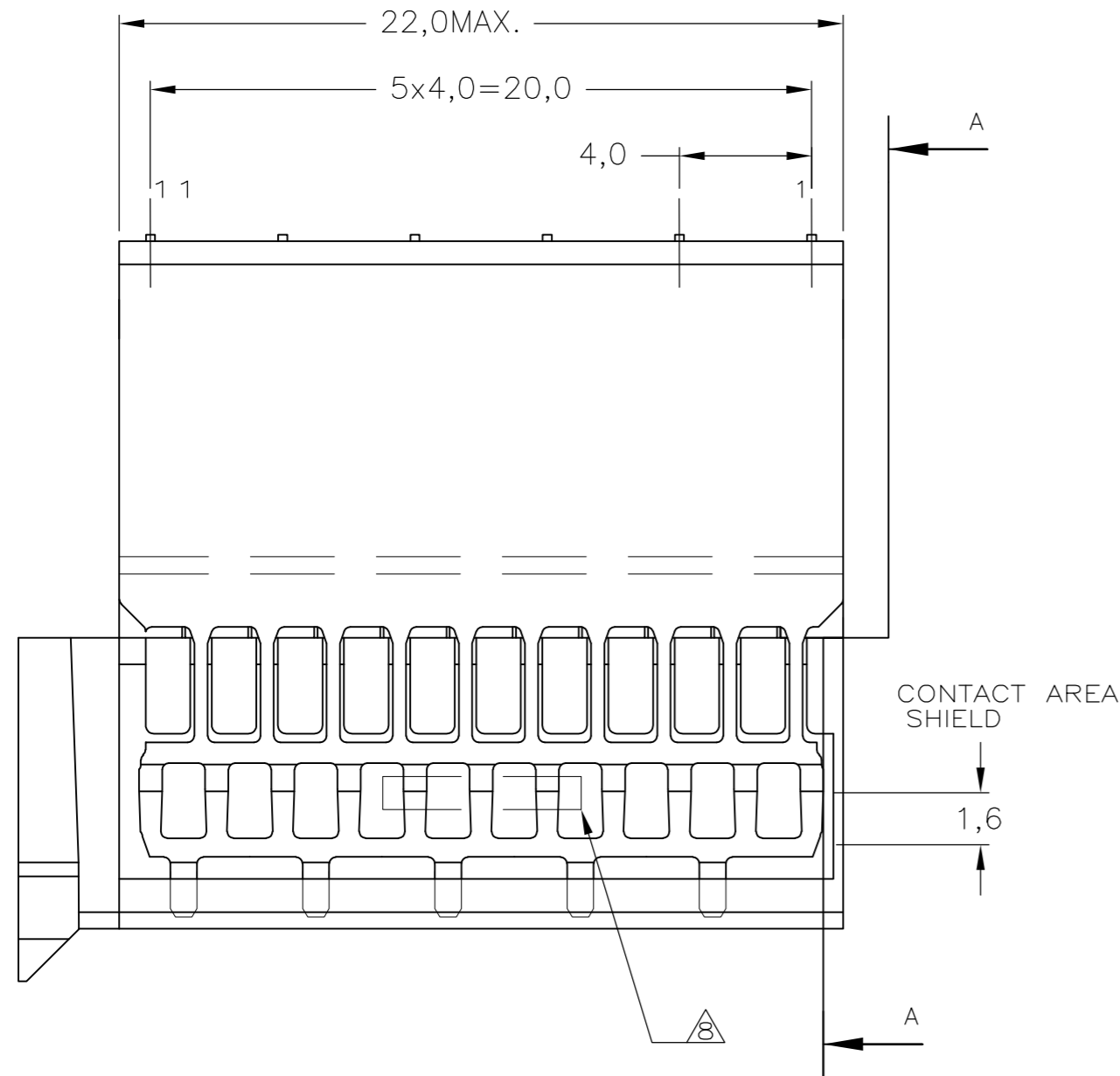
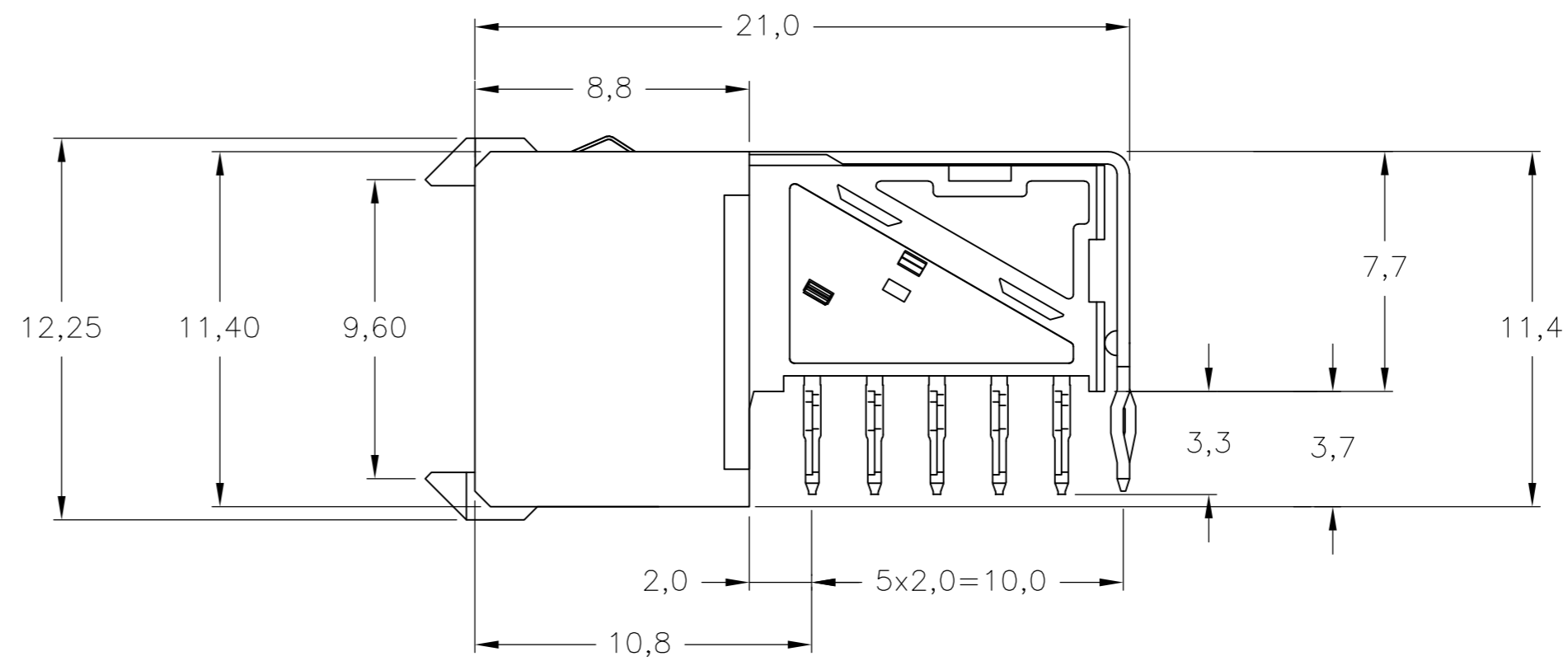
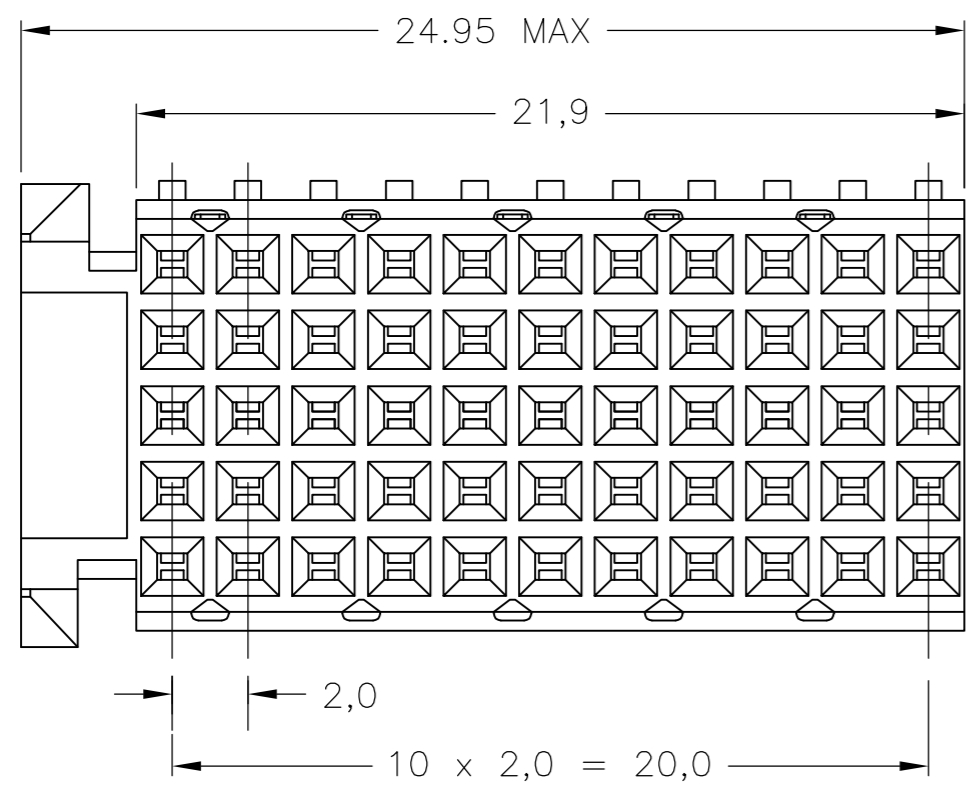


REVISIONS					
P	LTR	DESCRIPTION	DATE	DWN	APVD
H		ECR-16-013297	24JUL2017	FL	SY

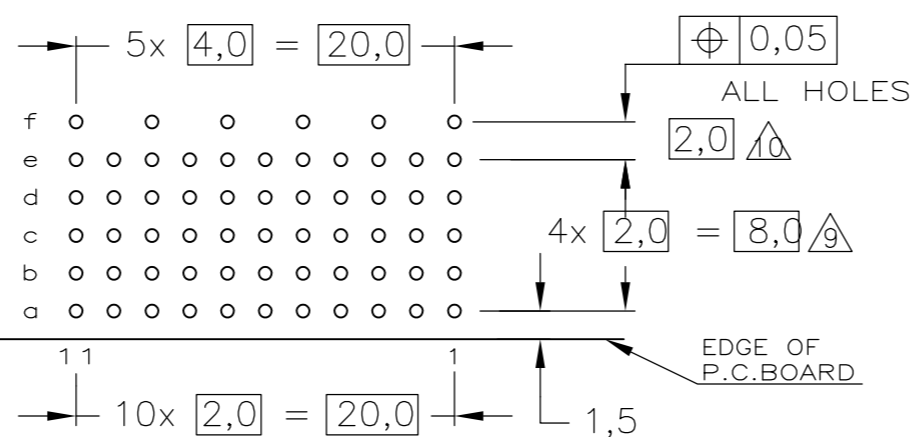


NOTES:

- △ MATERIAL CONTACTS; PHOSPHORBRONZE
 MATERIAL SHIELD ; PHOSPHORBRONZE
 MATERIAL HOUSING; GLASSFILLED POLYESTER (GRAY)
- △ GENERAL PLATING SPECIFICATION: UNDERPLATING (ENTIRE CONTACT):
 1,27µm NICKEL MIN. AND ACTION PIN: 0,5µm TIN MIN.
 FOR PLATING OF MATING SURFACES SEE APPLICABLE SPECIFICATION REFERENCE FOR EACH DASH NUMBER.
- △ CONFORMS TO ALL TESTING ACCORDING IEC 61076-4-101 PERFORMANCE LEVEL 2.
- △ CONFORMS TO ALL TESTING ACCORDING IEC 61076-4-101 PERFORMANCE LEVEL 1.
- △ CONNECTOR TESTED AND QUALIFIED AGAINST TELCORDIA GR-1217-CORE QUALITY LEVEL III, CENTRAL OFFICE APPLICATIONS.
- △ CONNECTOR LUBRICATED WITH TELCORDIA GR-1217-CORE APPROVED LUBRICANT.
- △ ASSEMBLY PRINTED WITH P/N AND DATECODE
 THE MARKING CAN APPEAR ON THE FRONT SIDE OR BACK SIDE.
- △ HOLE PATTERN FOR FEMALE CONNECTOR TYPE C
 55 PLATED-THROUGH HOLES AT 2x2mm SQUARE GRID
 ROW "f" 6 PLATED THROUGH HOLES FOR UPERSHIELD
- △ SHIELD MOUNTED ON CONNECTOR WITH DOUBLE SIDED ADHESIVE TAPE OR ADHESIVE
- 12 FITS WITH LOWERSHIELD, BASIC PARTNUMBER : 5352112.
- △ 0.76µm MIN Au PLATING AT MATING SURFACES.



COMPONENT SIDE AS SHOWN RECOMMENDED PCB-HOLE LAY-OUT SCALE 2,5:1



P.C.B. HOLE DIM. ACTION PIN
 FOR DETAILS SEE
 APPLICATION SPECIFICATION

	△△△	△	3-5352115-0
OBSOLETE	△△△	△	5352115-9
OBSOLETE	△△	△	5352115-4
	△△	△	5352115-1
	FINISH	MATERIAL	PARTNUMBER

THIS DRAWING IS A CONTROLLED DOCUMENT.		DWN K.N.KIRAN 19AUG2004		
DIMENSIONS: mm		CHK B.MOOIJ 24SEP2004		
TOLERANCES UNLESS OTHERWISE SPECIFIED: ±0.2		APVD B.MOOIJ 24SEP2004	NAME	
6-PLC ±		PRODUCT SPEC	Z-PACK 2mm HM	
1-PLC ±		APPLICATION SPEC	TYPE C - 11 COLUMNS	
2-PLC ±		108-19082	PRE-SHIELDED RECEPTACLE	
3-PLC ±		114-19029	SIZE A2	CAGE CODE 00779
4-PLC ±		WEIGHT 0.000000	DRAWING NO	RESTRICTED TO
ANGLES ±		CUSTOMER DRAWING	SCALE 5:1	SHEET 1 of 1
FINISH			REV H	

X-ON Electronics

Largest Supplier of Electrical and Electronic Components

Click to view similar products for [Hard Metric Connectors](#) category:

Click to view products by [TE Connectivity](#) manufacturer:

Other Similar products are found below :

[10146110-VR5C](#) [6345127-1](#) [646916-9](#) [6469658-1](#) [853016](#) [973108](#) [1-2000713-0](#) [1-2000713-2](#) [1-2000713-3](#) [120646-1](#) [134187](#) [1645343-1](#)
[1645456-1](#) [1645564-3](#) [1645594-1](#) [1645601-1](#) [1934822-1](#) [2000829-2](#) [2000985-2](#) [223085-1](#) [278071110010833](#) [1645179-1](#) [1645245-1](#)
[1645457-1](#) [1645525-1](#) [1645570-1](#) [1645596-1](#) [17-8072-125-000-863+](#) [1857470-1](#) [1934275-1](#) [1934289-1](#) [1934759-1](#) [2000670-2](#) [2000673-1](#)
[2000843-2](#) [2000984-2](#) [204975](#) [2170292-2](#) [2-536642-6](#) [3-100668-0](#) [3-106015-1](#) [352188-1](#) [352629-1](#) [3-646346-0](#) [3-646356-0](#) [3-646457-0](#) [3-646529-0](#) [3-646530-0](#) [5120823-1](#) [5120899-1](#)