

THIS DRAWING IS A CONTROLLED DOCUMENT.

DIMENSIONS: 單位: 絲 mm
TOLERANCES UNLESS OTHERWISE SPECIFIED: 公差

APVD: L. MARTIN 20MAY2010
CHK: C. FISHER 20MAY2010
NAME: Y. STEVEN 20MAY2010

PRODUCT SPEC 產品規格
108-78180-8
APPLICATION SPEC 零件適用規格
WEIGHT 重量

FINISH 表面
0 PLC
1 PLC
2 PLC
3 PLC
4 PLC
ANGLES 角度

MATERIAL 材料

SCALE 尺碼 4:1
SHEET 1 OF 7
REV B2

CUSTOMER DRAWING

PART LIST						DIMENSION														QTY	SCREW SIZE	Au PL
PART NUMBER	PACKING	CONNECTOR	SHELL TYPE	FLANGE	POLYIMIDE TAPE	E	F	G	H	J	K	L	M	N	P	R	S	AA	T	U	V	
1932649-1	EMBOSSED (SEE SHEET 5)	(SEE SHEET 2)	THROUGH HOLE	WITHOUT FLANGE	WITHOUT TAPE	16	14.2	28.4	32	0.4	9.32	37.5	33.5	-	-	-	-	1.9	550	-	0.1	
1932649-2	SOFT TRAY (SEE SHEET 6)	(SEE SHEET 3)	THROUGH HOLE	WITH FLANGE	WITHOUT TAPE	-	-	-	-	-	-	-	-	46	6-23	138	46	1.9	70	$\Delta \phi 2.65 \pm 0.3$	0.1	
1932649-3	EMBOSSED (SEE SHEET 5)	(SEE SHEET 3)	THROUGH HOLE	WITH FLANGE	WITHOUT TAPE	20	20.2	40.4	44	0.5	18.3	49.5	45.5	-	-	-	-	1.9	200	M3 x 0.5	0.1	
1932649-4	SOFT TRAY (SEE SHEET 6)	(SEE SHEET 3)	THROUGH HOLE	WITH FLANGE	WITHOUT TAPE	-	-	-	-	-	-	-	-	46	6-23	138	46	1.9	70	M3 x 0.5	0.1	
1932649-5	SOFT TRAY (SEE SHEET 6)	(SEE SHEET 3)	THROUGH HOLE	WITH FLANGE	WITHOUT TAPE	-	-	-	-	-	-	-	-	46	6-23	138	46	1.9	70	M3 x 0.5	0.1	
1-1932649-2	SOFT TRAY (SEE SHEET 6)	(SEE SHEET 3)	THROUGH HOLE	WITH FLANGE	WITHOUT TAPE	-	-	-	-	-	-	-	-	46	6-23	138	46	1.9	70	M3 x 0.5	0.3	
1-1932649-5	SOFT TRAY (SEE SHEET 6)	(SEE SHEET 3)	THROUGH HOLE	WITH FLANGE	WITHOUT TAPE	-	-	-	-	-	-	-	-	46	6-23	138	46	1.9	70	M3 x 0.5	0.3	
2-1932649-5	SOFT TRAY (SEE SHEET 6)	(SEE SHEET 4)	THROUGH HOLE	WITH FLANGE	WITHOUT TAPE	-	-	-	-	-	-	-	-	46	6-23	138	46	1.9	70	M3 x 0.5	0.3	
1932649-6	EMBOSSED (SEE SHEET 5)	(SEE SHEET 2)	THROUGH HOLE	WITHOUT FLANGE	WITHOUT TAPE	16	14.2	28.4	32	0.4	9.32	37.5	33.5	-	-	-	-	0.9	550	-	0.1	

CONTACT COPLANARITY IS 0.1 MAX.
THIS DIMENSION MEANS CENTER OF THE POCKET.
M3 TAPPING + BVTP RECOMMENDED TORQUE: 68.6N (7kgf) MAX.
FINISH

CONTACT: V μm MIN. Au PL. ON CONTACT AREA (V: SEE TABLE)
0.03~0.1 μm Au PL. ON TERMINAL AREA
N: UNDER PL. ALL OVER
SHELL: Sn PL. (MATTE) ALL OVER
N: UNDER PL. ALL OVER
SCREW SIZE
QTY PRINT ON THE LABEL. (EMBOSSED PACKING)

1470-19 (3/11)

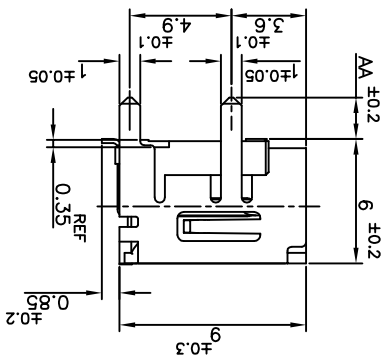
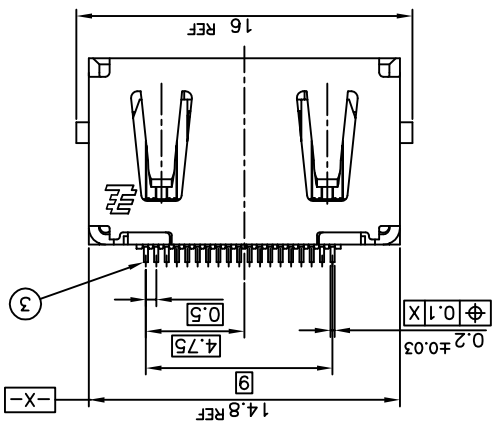
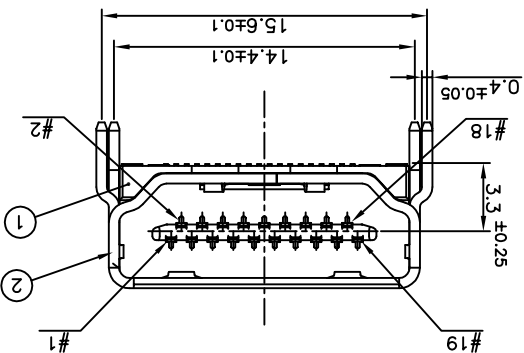
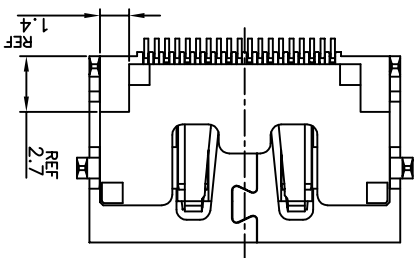
THIS DRAWING IS UNPUBLISHED. MAY, 2010. RELEASED FOR PUBLICATION
COPYRIGHT 2010 BY - ALL RIGHTS RESERVED.

LOC ES DIST

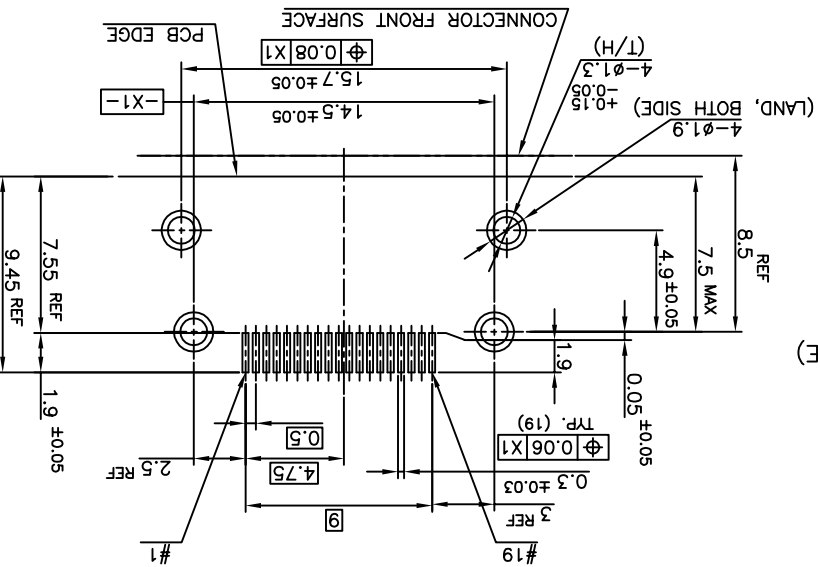
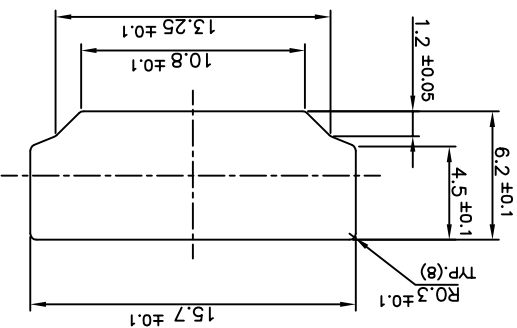
REVISED ECR-11-023607 21NOV2011 J.H.S.Y

DATE DATE DWN APVD

REVISIONS



PANEL CUT OUT DIMENSION (REFERENCE)



P.C.B LAYOUT (REFERENCE)
SHOWN AS CONNECTOR MOUNTING SIDE
TOLERANCE: NON-CUMULATIVE

CONNECTOR: WITHOUT FLANGE THROUGH HOLE TYPE

THIS DRAWING IS A CONTROLLED DOCUMENT.

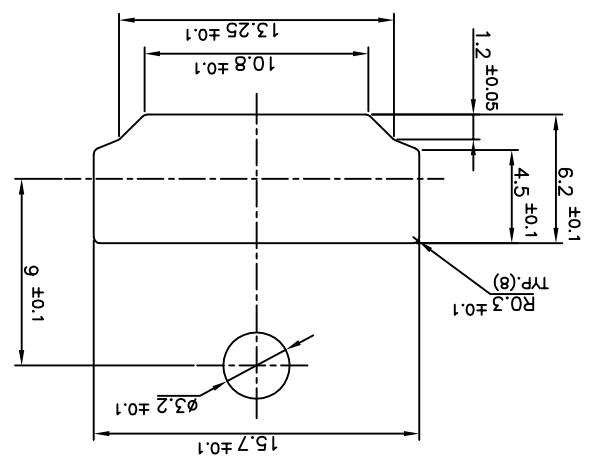
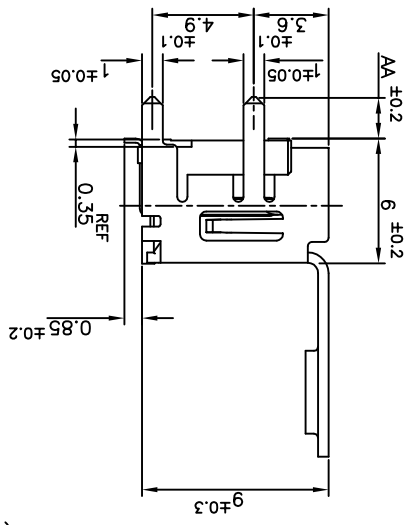
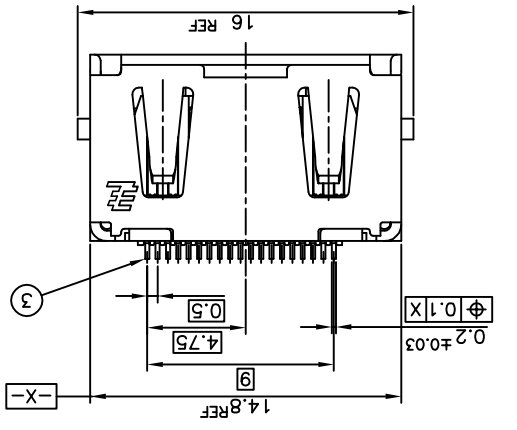
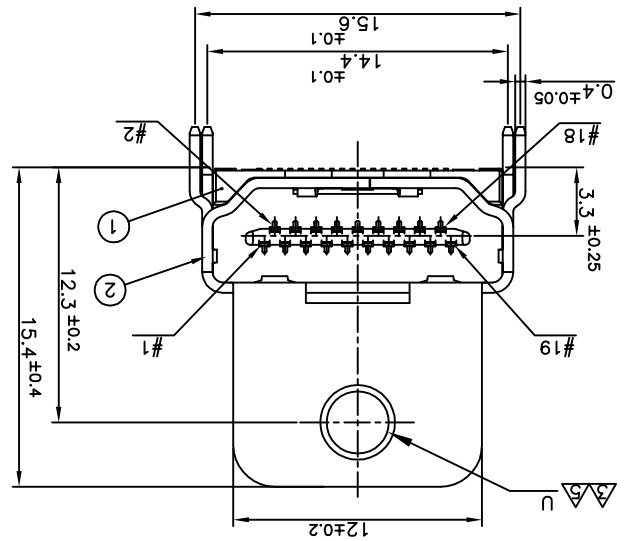
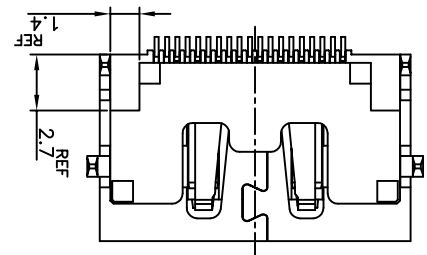
DIMENSIONS: 單位: 毫米		TOLERANCES UNLESS OTHERWISE SPECIFIED: 一般公差	
MATERIAL 材料	FINISH 仕上げ	APPROVAL 承認	NAME 名稱
0 PLC	0 PLC	CHK	DWN
1 PLC	1 PLC	PRODUCT SPEC	PRODUCT SPEC
2 PLC	2 PLC	APPLICATION SPEC	APPLICATION SPEC
3 PLC	3 PLC	WEIGHT	WEIGHT
4 PLC	4 PLC	CUSTOMER DRAWING	

SCALE 尺碼 4:1
SHEET SHEET 2 of 7
REV B2
DRAWING NO 圖號 1932649
CAGE CODE 籠號 00779
SMT SHORT TYPE
HDMI 19 POS RECEPTACLE ASSY

TE Connectivity

ITEM	DESCRIPTION	MATERIAL
①	HOUSING	GLASS FILLED LCP UL94V-0, BLACK COLOR
②	SHELL	STAINLESS STEEL
③	CONTACT	BRASS

LOC	DIST	ES
1	2	3
REVISIONS 變更	DATE 日期	DWN APVD
SEE SHEET 1		

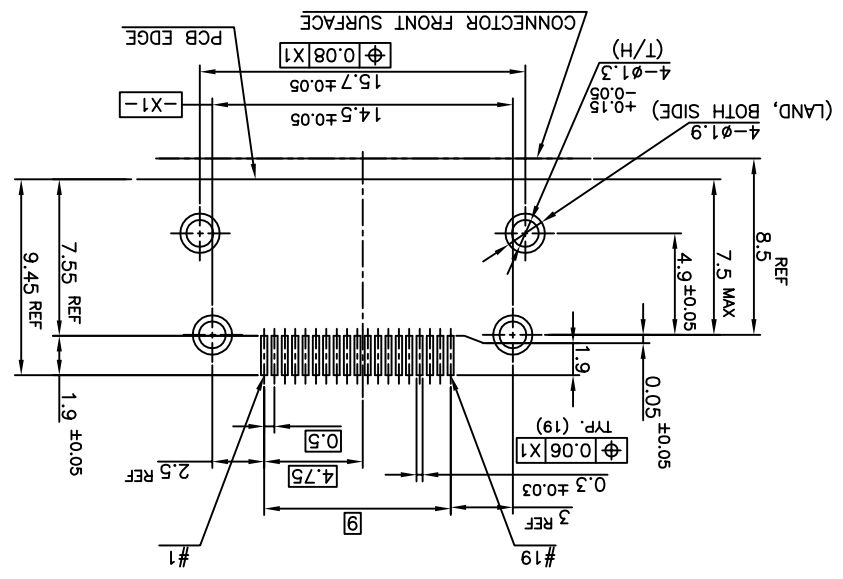


CONNECTOR: WITH FLANGE THROUGH HOLE TYPE

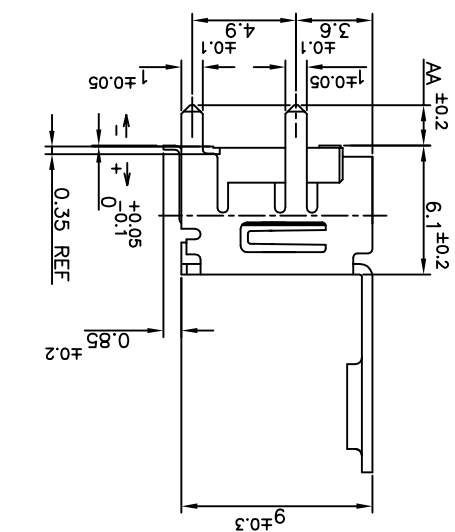
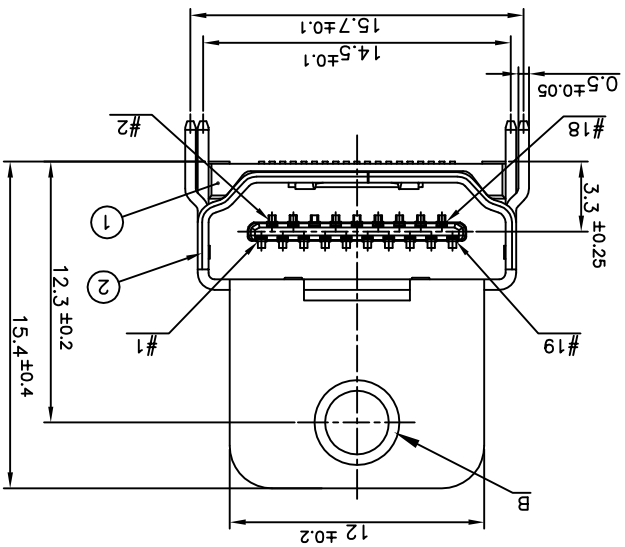
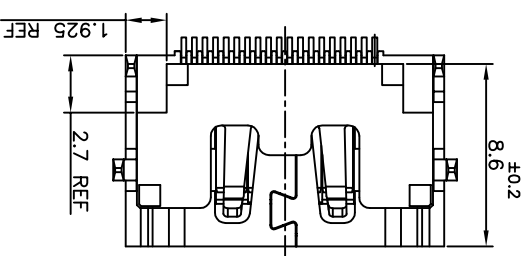
MATERIAL		DIMENSIONS: 單位: 毫米	
FINISH		TOLERANCES UNLESS OTHERWISE SPECIFIED	
APPLICABLE ANGLES		OTHERWISE SPECIFIED	
WEIGHT		TOLERANCES UNLESS OTHERWISE SPECIFIED	
APPLICABLE SPEC		TOLERANCES UNLESS OTHERWISE SPECIFIED	
PRODUCT SPEC		TOLERANCES UNLESS OTHERWISE SPECIFIED	
NAME		TOLERANCES UNLESS OTHERWISE SPECIFIED	
APVD		TOLERANCES UNLESS OTHERWISE SPECIFIED	
CHK		TOLERANCES UNLESS OTHERWISE SPECIFIED	
DWN		TOLERANCES UNLESS OTHERWISE SPECIFIED	
THIS DRAWING IS A CONTROLLED DOCUMENT.			
CUSTOMER DRAWING			
SCALE 4:1		SHEET 3 of 7	
REV B2		RESTRICTED TO	

ITEM	DESCRIPTION	MATERIAL
①	HOUSING	GLASS FILLED LCP UL94V-0, BLACK COLOR
②	SHELL	STAINLESS STEEL
③	CONTACT	BRASS

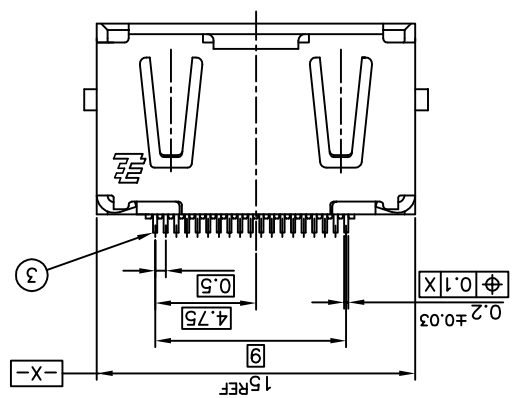
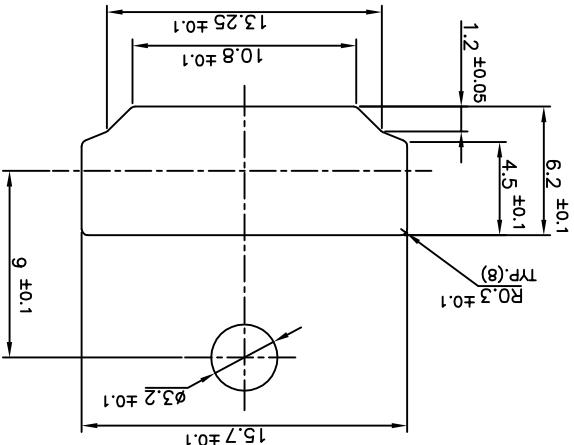
P.C.B LAYOUT (REFERENCE)
SHOWN AS CONNECTOR MOUNTING SIDE
TOLERANCE: NON-CUMULATIVE



LOC	DIST	ES
P	LTR	
DATE		
DWN		
APVD		
REVISIONS		
DESCRIPTION	DATE	
SEE SHEET 1		



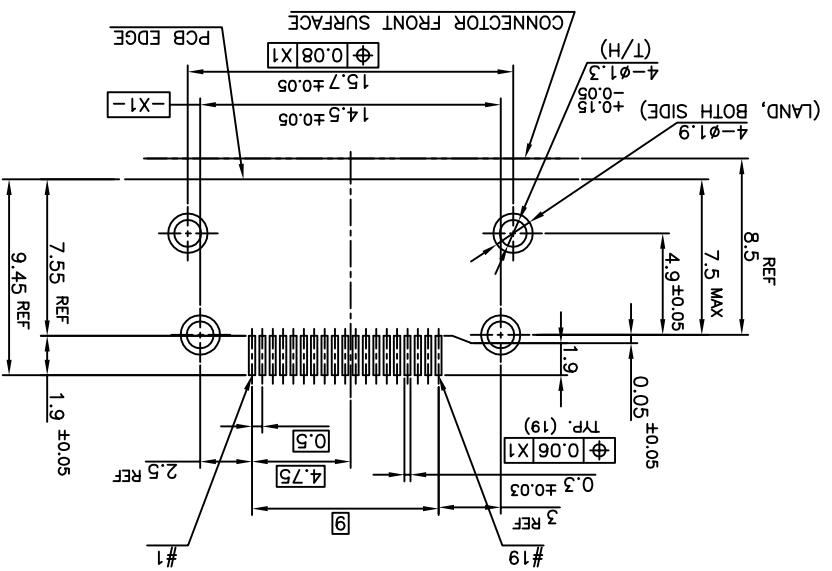
PANEL CUT OUT DIMENSION (REFERENCE)



CONNECTOR: WITH FLANGE THROUGH HOLE TYPE

ITEM	DESCRIPTION	MATERIAL
①	HOUSING	GLASS FILLED LCP UL94V-0, BLACK COLOR
②	SHELL	BRASS
③	CONTACT	BRASS

P.C.B LAYOUT (REFERENCE)
SHOWN AS CONNECTOR MOUNTING SIDE
TOLERANCE: NON-CUMULATIVE



THIS DRAWING IS A CONTROLLED DOCUMENT.

DIMENSIONS: 單位: 毫米 (mm)

FINISH: 0 P/LC, 1 P/LC, 2 P/LC, 3 P/LC, 4 P/LC ANGLES

OTHERWISE SPECIFIED TOLERANCES UNLESS OTHERWISE SPECIFIED

APVD: 核准: 姓名

CHK: 檢查

DWN: 繪圖

NAME: 名稱

PRODUCT SPEC: 產品規格

APPLICATION SPEC: 零件選用規格

WEIGHT: 重量

CUSTOMER DRAWING

SCALE: 尺碼 4:1

SHEET: 4 OF 7

REV: B2

DRAWING NO: 圖號 1932649

CAGE CODE: 1932649

RESTRICTED TO

TE Connectivity

HDMI 19 POS RECEPTACLE ASSY

SMT SHORT TYPE

REV	DATE	DESCRIPTION	APVD
-	-	SEE SHEET 1	-

LOC: ES

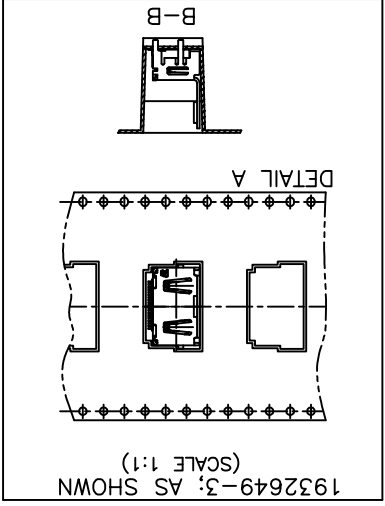
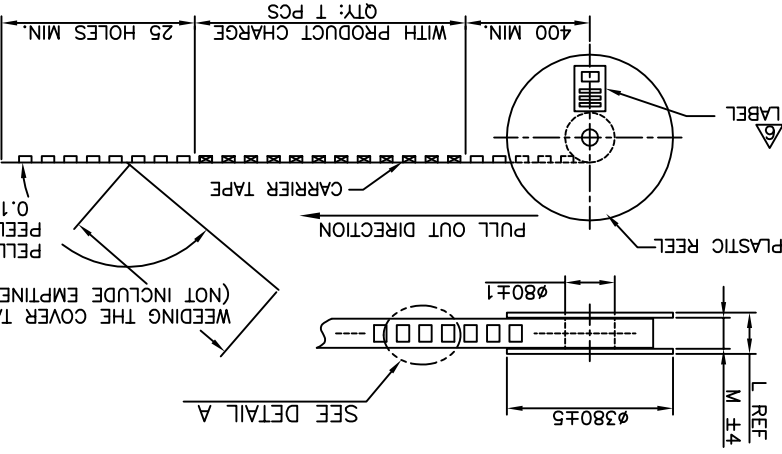
DIST: 1

REV: 1

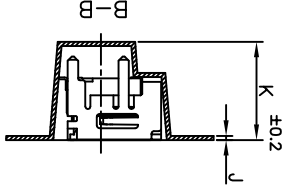
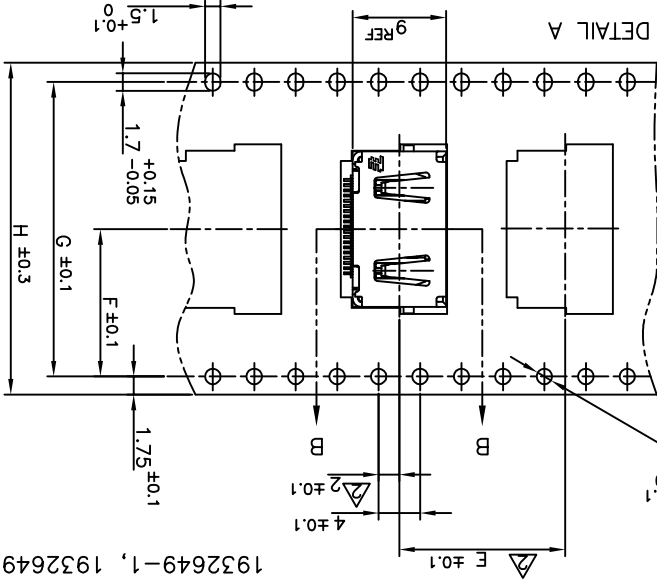
CUSTOMER DRAWING			SCALE 4:1 SHEET 5 of 7 REV B2		
DRAWING NO 1932649			CAGE CODE 00779		
SIZE A3	PRODUCT SPEC	APPLICATION SPEC	WEIGHT	FINISH	MATERIAL
	產品規格	零件應用規格		0 PLC 1 PLC 2 PLC 3 PLC 4 PLC ANGLES ±	料號
HDMI 19 POS RECEPTACLE ASSY SMT SHORT TYPE		APVD	NAME	DIMENSIONS: 單位: mm	
STC TE Connectivity		CHK		TOLERANCES UNLESS OTHERWISE SPECIFIED 一般公差	
		DWN		THIS DRAWING IS A CONTROLLED DOCUMENT.	

COVER TAPE	PET
CARRIER TAPE	PS
REEL	PLASTIC
DESCRIPTION	MATERIAL

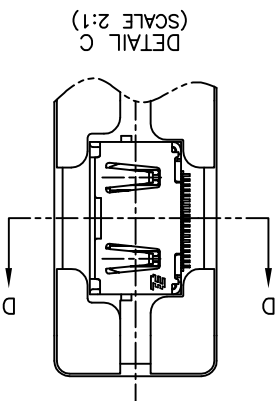
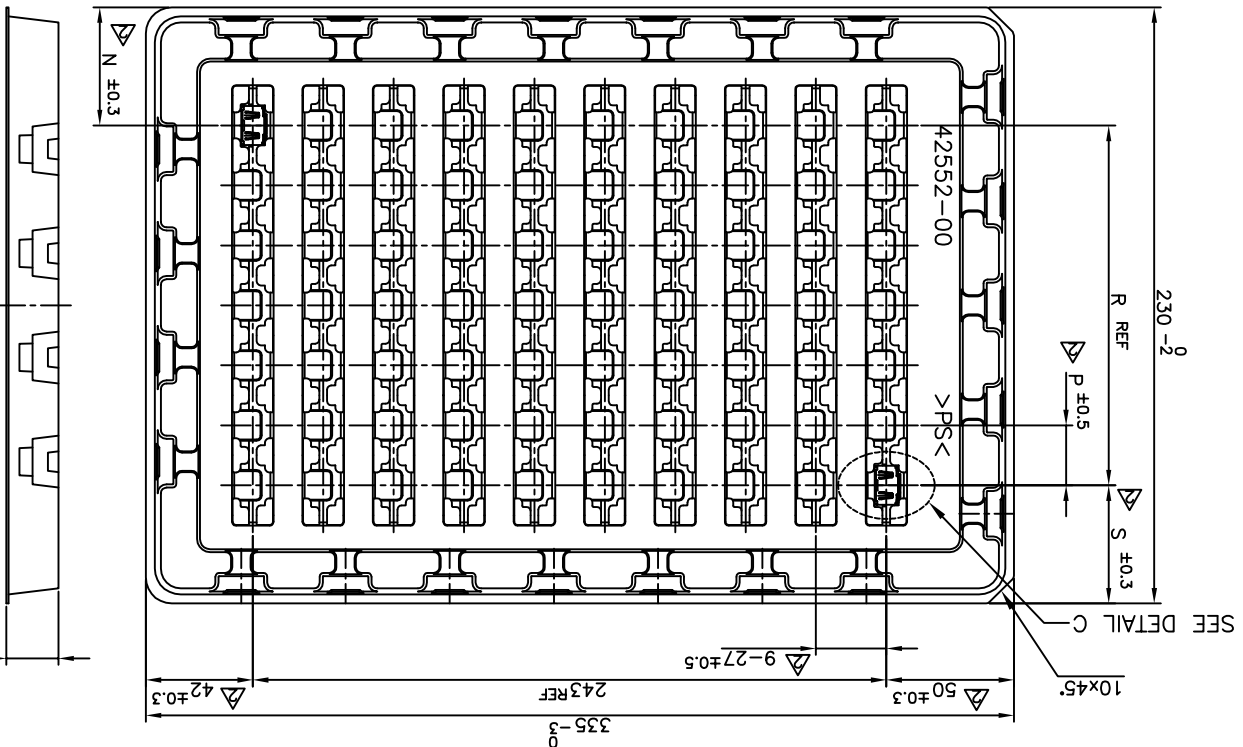
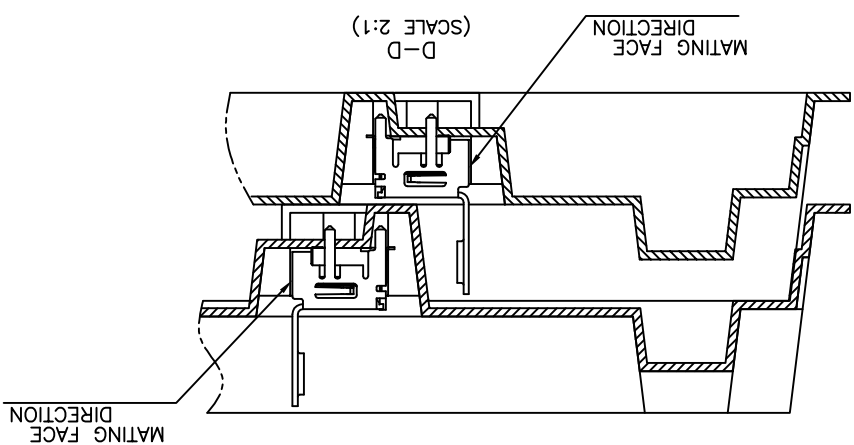
LABEL DESCRIPTION
 TYCO P/N: *-1932649-*
 D/C: * pcs
 MADE IN CHINA



1932649-1, 1932649-6; AS SHOWN



REVISONS		LOC	DIST	ES
DATE	DESCRIPTION	DWN	APVD	
SEE SHEET 1				



THIS DRAWING IS A CONTROLLED DOCUMENT.

DRAWING NO	1932649
SCALE	4:1
SHEET	6 of 7
REV	B2

CUSTOMER DRAWING

NAME	名称
APVD	核准
PRODUCT SPEC	產品規格
APPLICATION SPEC	取件應用規格
WEIGHT	重量

HDMI 19 POS RECEPTACLE ASSY
SMT SHORT TYPE

TE Connectivity

DESCRIPTION	TRAY
MATERIAL	PS

LOC	ES
DIST	
REV	
DATE	
DESCRIPTION	
APVD	

REVISIONS

1	SEE SHEET 1
---	-------------

1932649-2, 1932649-4, 1932649-5, 1-1932649-2, 1-1932649-5, 2-1932649-5; AS SHOWN

SEP, 2005

RELEASED FOR PUBLICATION

ALL RIGHTS RESERVED.

COPYRIGHT 2005 BY -

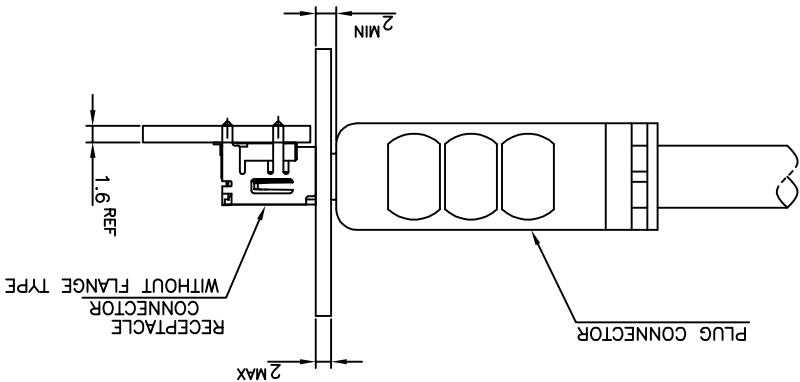
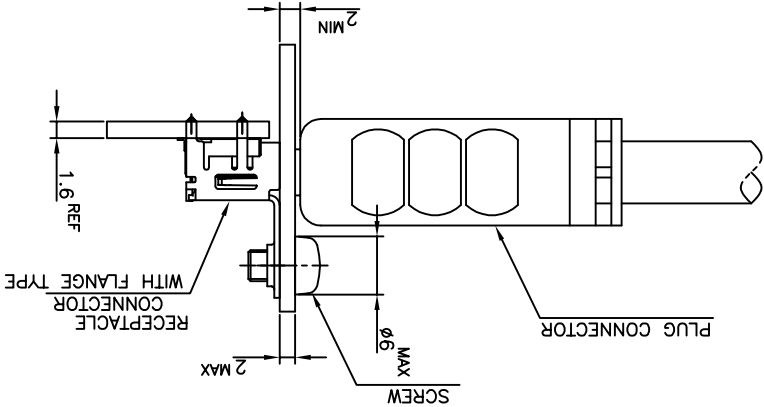
A
B
C
D

A
B
C
D

MATERIAL		FINISH		WEIGHT		CUSTOMER DRAWING	
TOLERANCES UNLESS OTHERWISE SPECIFIED		TOLERANCES UNLESS OTHERWISE SPECIFIED		APVD		SCALE 4:1	
DIMENSIONS: mm		DIMENSIONS: mm		NAME		SHEET 7 of 7	
DWN		CHK		PRODUCT SPEC		DRAWING NO 1932649	
APVD		PRODUCT SPEC		APPLICATION SPEC		CAGE CODE	
NAME		PRODUCT SPEC		APPLICATION SPEC		SIZE	
HDMI 19 POS RECEPTACLE ASSY		HDMI 19 POS RECEPTACLE ASSY		APPLICATION SPEC		CAGE CODE	
SMT SHORT TYPE		HDMI 19 POS RECEPTACLE ASSY		APPLICATION SPEC		CAGE CODE	
TE Connectivity		HDMI 19 POS RECEPTACLE ASSY		APPLICATION SPEC		CAGE CODE	
TE		HDMI 19 POS RECEPTACLE ASSY		APPLICATION SPEC		CAGE CODE	
TE Connectivity		HDMI 19 POS RECEPTACLE ASSY		APPLICATION SPEC		CAGE CODE	

THIS DRAWING IS A CONTROLLED DOCUMENT.

MATING CONDITION (REFERENCE)
(SCALE 2:1)



LOC	DIST	REV	DATE	DESCRIPTION
ES				REVISIONS
				SEE SHEET 1

X-ON Electronics

Largest Supplier of Electrical and Electronic Components

Click to view similar products for [HDMI, Displayport & DVI Connectors](#) category:

Click to view products by [TE Connectivity](#) manufacturer:

Other Similar products are found below :

[1775247-3](#) [2-1932649-5](#) [30-1231](#) [30-528](#) [2069485-1](#) [30-504](#) [30-519](#) [30-542](#) [47648-2000](#) [2002-400](#) [TC142X](#) [1453G1](#) [769-103/021-000](#)
[1932649-1](#) [233-368NFG6-17NH](#) [G45A19071083HR](#) [233-360NF00-17NH](#) [CP30200GM3B](#) [HYC02-DVI29-371](#) [P136-06NHDV4KBP](#)
[CP30116](#) [LTWDID-29PFFS-SL8001](#) [46765-1301](#) [47271-1004](#) [32-1121-BU](#) [DS1117-BN0-TME-002](#) [MHDR2A11004BP](#) [EHDMI2PKG](#)
[1903015-3](#) [DS1114-BN0](#) [WPUSBAF](#) [500254-1931](#) [HDMR-19-01-F-SM](#) [47151-1071](#) [1747981-1](#) [0480372000](#) [0482580001](#) [D121073-19](#)
[472710111](#) [HDMI-S-RA6-SMT-MF-15](#) [P142-000-UP](#) [P134-003](#) [P120-08N](#) [KDMIX-FS1V-WS-B](#) [P142-000-UD](#) [10029449-101RLF](#) [P132-](#)
[000](#) [P130-000](#) [P142-06N-MICRO](#) [P142-000-MINI](#)