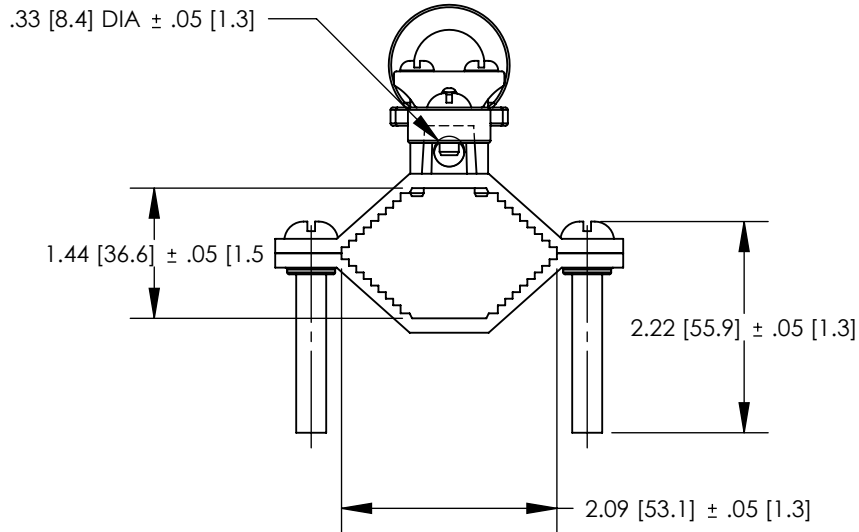
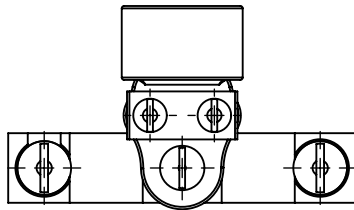


THIS COPY IS PROVIDED ON A RESTRICTED BASIS AND IS NOT TO BE USED IN ANY WAY DETRIMENTAL TO THE INTERESTS OF PANDUIT CORP.

NOTES:

1. MATERIAL:
BODY - BRONZE (GUN METAL)
SCREW - STEEL, ZINC PLATED
2. PARTS ARE cULus LISTED TO UL467 AS
GROUNDING & BONDING EQUIPMENT.
3. SEE WWW.PANDUIT.COM FOR PART NUMBER
SUFFIX DESIGNATION FOR PACKAGE SIZE.



PART NUMBER	DESCRIPTION	WATER PIPE	GROUNDING WIRE
GPCG2/0-2-12	GROUND CLAMP FOR RIGID CONDUIT 360 DEG. HUB CONDUIT 1/2"	1-1/4" - 2"	10 - 2/0 STR
GPCG2/0-2-34	GROUND CLAMP FOR RIGID CONDUIT 360 DEG. HUB CONDUIT 3/4"	1-1/4" - 2"	10 - 2/0 STR
GPCG3/0-2-1	GROUND CLAMP FOR RIGID CONDUIT 360 DEG. HUB CONDUIT 1"	1-1/4" - 2"	10 - 3/0 STR

REV	DATE	BY	CHK	APR	DESCRIPTION	ECN
00	7/12	JHNU	SRBI	RGB	DRAWING RELEASED	10J018AR-JC

TITLE BRONZE GROUND PIPE CLAMP - 1-1/4" - 2" CUSTOMER DRAWING	
ITEM REVISION NAME 10J018AR/00	PANDUIT TM
DATASET FILE NAME 10J018AR-JC/00.SLDDRW	
UNLESS OTHERWISE SPECIFIED, DIMENSIONAL TOLERANCES ARE: IN [mm] .X ± .XXX ± .XX ± ANGLES ±	
THIRD ANGLE PROJECTION	
DRAWN BY JHNU	DATE 7/12
CHK SRBI	SCALE N/A
DRAWING NUMBER 10J018AR-JC	
SHEET 1 OF 1	
SIZE A	

X-ON Electronics

Largest Supplier of Electrical and Electronic Components

Click to view similar products for [Cable Mounting & Accessories](#) category:

Click to view products by [Panduit](#) manufacturer:

Other Similar products are found below :

[HP-4N](#) [582603-1](#) [009333-000](#) [727844N003](#) [809090N001](#) [8109](#) [843188-000](#) [843459N001](#) [843460N003](#) [8666](#) [967279N002](#) [GPQC1/0](#) [DB-11](#) [1300830208](#) [1300840039](#) [1300900026](#) [1300990052](#) [1301740005](#) [1301800121](#) [1301800416](#) [1300830184](#) [1300990149](#) [1301580036](#) [1301720103](#) [1301720135](#) [1301720152](#) [1301720157](#) [1301740009](#) [1301770011](#) [1301850553](#) [1301860939](#) [1302000074](#) [1302264431](#) [1337706-2](#) [APA18-AK](#) [MTX6UTPSRC-C](#) [1-787307-1](#) [185491N001](#) [HP-6N](#) [C-202-C](#) [202C221-13-0](#) [OMTM-S10-C0](#) [205339-4](#) [CA7308-000](#) [8S23-75FR-CS8184](#) [2684](#) [9648](#) [3089](#) [988382-000](#) [A0270164](#)