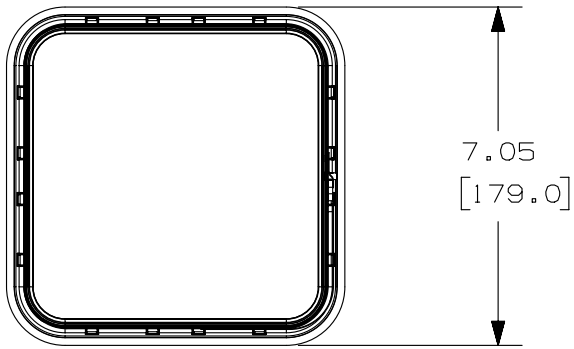


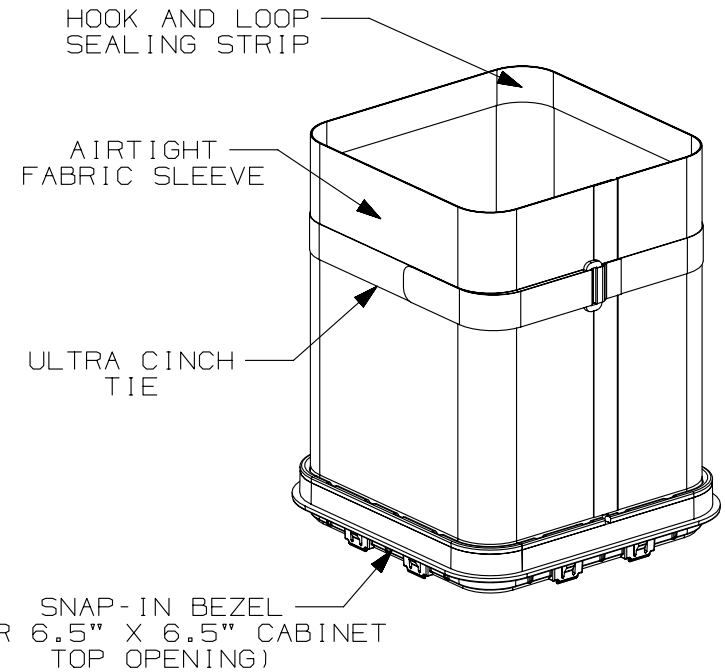
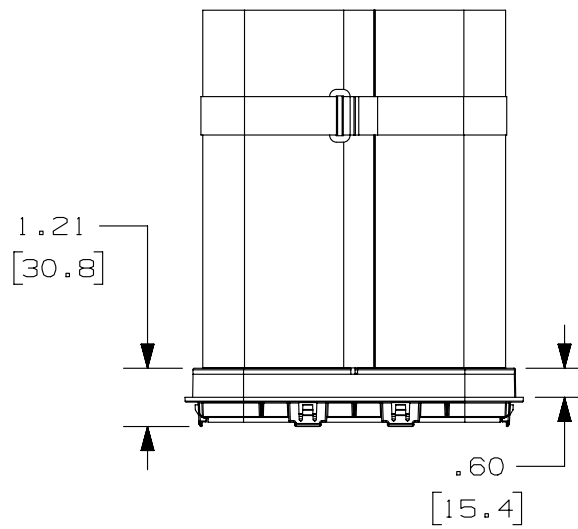
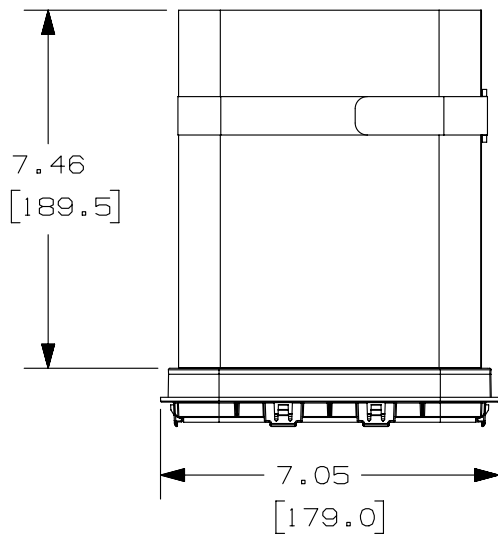
THIS COPY IS PROVIDED ON A RESTRICTED BASIS AND IS NOT TO BE USED IN ANY WAY DETRIMENTAL TO THE INTERESTS OF PANDUIT CORP.



NOTES:

1. FOR USE WITH NET-ACCESS CABINETS
2. USED TO SEAL OFF 6.5" X 6.5" CABINET TOP OPENINGS WHEN CABLES ARE ROUTED THROUGH THE TOP OF THE CABINET.+
3. FINISH COLOR: BLACK
4. DIMENSION IN PARENTHESES ARE IN METRIC

PANDUIT PART NUMBER	WEIGHT
CTGN6X6	.35 LBS/EACH 160.4 GRAMS/EACH



REV	DATE	BY	CHK	APR	DESCRIPTION	ECN
1	03-12-13	SSP	DWR	RN	RELEASED TO PRODUCTION	12D308AA-DC
R	08-21-12	SSP	DWR		DRAWING RELEASED	

TITLE 6.5" X 6.5" CABLE PROTECTION BEZEL AND COOL BOOT AIR SEALING FITTING (CTGN6X6)	
CUSTOMER DRAWING	
ITEM REVISION NAME 12D308AA/00	PANDUIT TM
DATASET FILE NAME 12D308AA_DC/00B CTGN6X6	
UNLESS OTHERWISE SPECIFIED, DIMENSIONAL TOLERANCES ARE: IN (mm)	
.X ± .XX ± .03 [.8]	.XXX ± ANGLES ±
THIRD ANGLE PROJECTION	
DRAWN BY SSP	DATE 08-21-12
CHK DWR	SCALE NONE
DRAWING NUMBER: 12D308AA-DC	
SHT 1 OF 1	
SIZE A	

D10100DA/12

2

1

2

1

X-ON Electronics

Largest Supplier of Electrical and Electronic Components

Click to view similar products for [Wire Ducting](#) category:

Click to view products by [Panduit](#) manufacturer:

Other Similar products are found below :

[66200A-10](#) [CVED32VEPG](#) [CVED40VEPG](#) [F512D5-5F140Y](#) [F512D5-5F200Y](#) [F512D5-5F26Y](#) [F512D5-5F30Y](#) [F512D5-5F33Y](#) [F512D5-5F34Y](#) [F512D5-5F45Y](#) [F512D5-5F50Y](#) [F512D5-5F54Y](#) [F512D5-5F66Y](#) [F512D5-5F70Y](#) [F512D5-5F75Y](#) [F512D5-5F90Y](#) [F612D5-5F100Y](#) [F612D5-5F130Y](#) [F612D5-5F50Y](#) [F612D5-5F56Y](#) [F612D5-5F58Y](#) [F6L12D5-5F46](#) [F912D5-5F11Y](#) [F912D5-5F170Y](#) [F912D5-5F175Y](#) [F912D5-5F230Y](#) [F912D5-5F300Y](#) [F912D5-5F55Y](#) [F912D5-5F56Y](#) [F912D5-5F63Y](#) [F912D5-5F6Y](#) [F912D5-5F75Y](#) [F912D5-5F85Y](#) [F912D5-5F86Y](#) [F912D5-5F88Y](#) [F912D5-5F96Y](#) [FAP0047WBLMTP](#) [FAP12WBRDRDDLZ](#) [FAP12WDYLYLDLZ](#) [FAP12WEORORDLZ](#) [FAP6WEORORDLZ](#) [FAP6WFDBDBDLZ](#) [FAP8WEORORDLZ](#) [FCE2UWCL](#) [800A-LB](#) [802A-ECSP](#) [802I-ICSP](#) [FJQADH](#) [FJQFXT](#) [PED10](#)