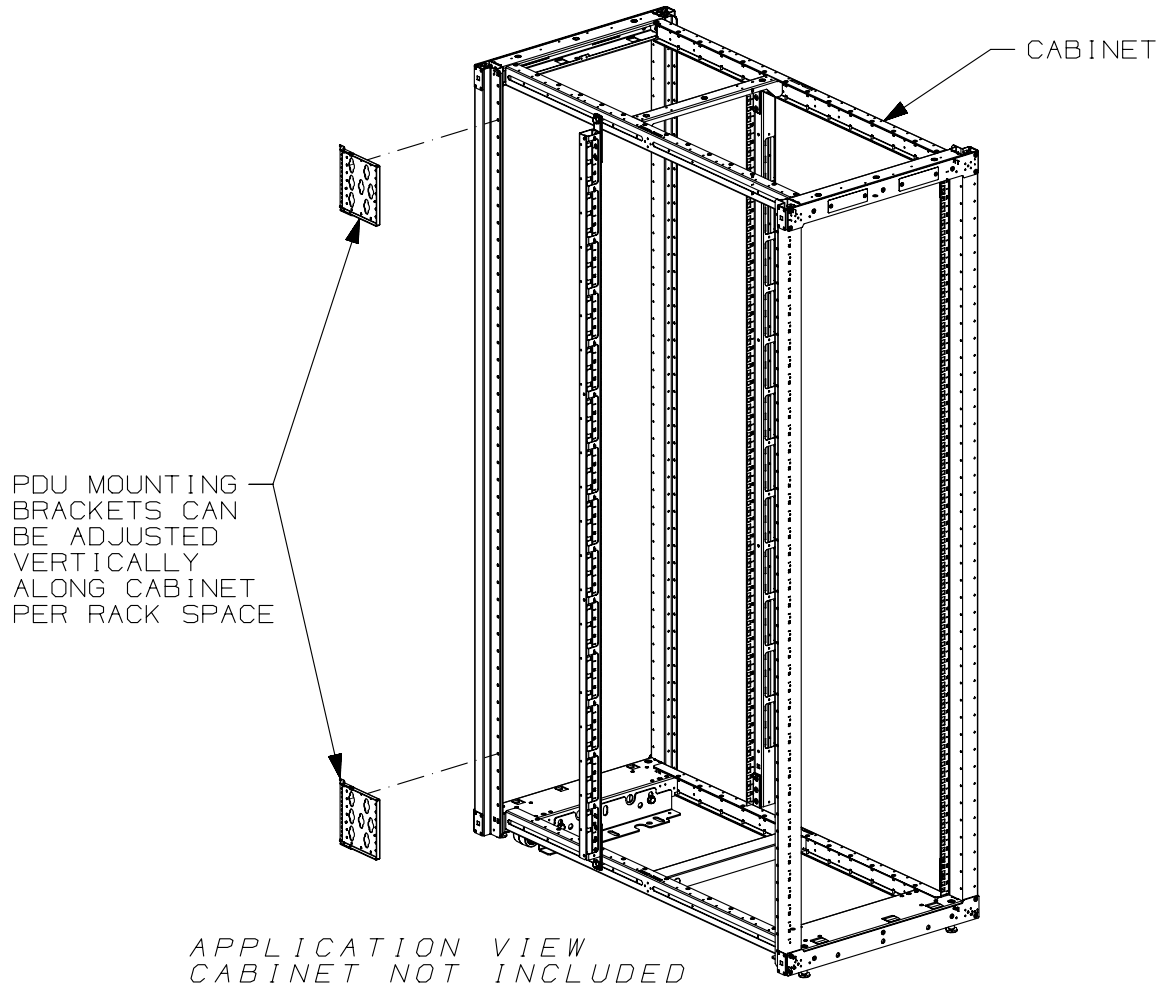


THIS COPY IS PROVIDED ON A RESTRICTED BASIS AND IS NOT TO BE USED IN ANY WAY DETRIMENTAL TO THE INTERESTS OF PANDUIT CORP.

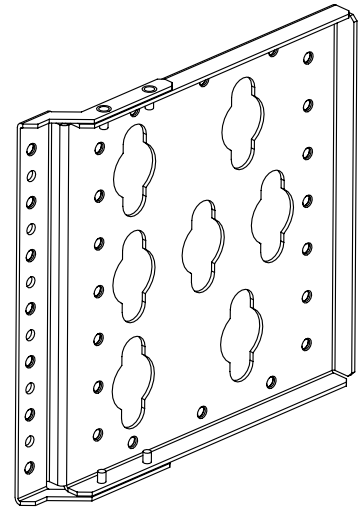
2

1



PANDUIT P/N	WEIGHT
SPDUBRK	2.0 Kg/EACH 4.4 LBS/EACH

- NOTES:
- VISIT OUR ON-LINE CATALOG AT WWW.PANDUIT.COM FOR A LIST OF CURRENT PARTS APPLICABLE FOR USE WITH THIS PRODUCT.
 - PRIMARY DIMENSIONS ARE IN MILLIMETERS (mm).
 - PARTS SUPPLIED:
 - (1) - PAIR OF PDU MOUNTING BRACKETS
 - (1) - HARDWARE KIT
 - (1) - INSTRUCTION SHEET



APPLICATION VIEW
CABINET NOT INCLUDED

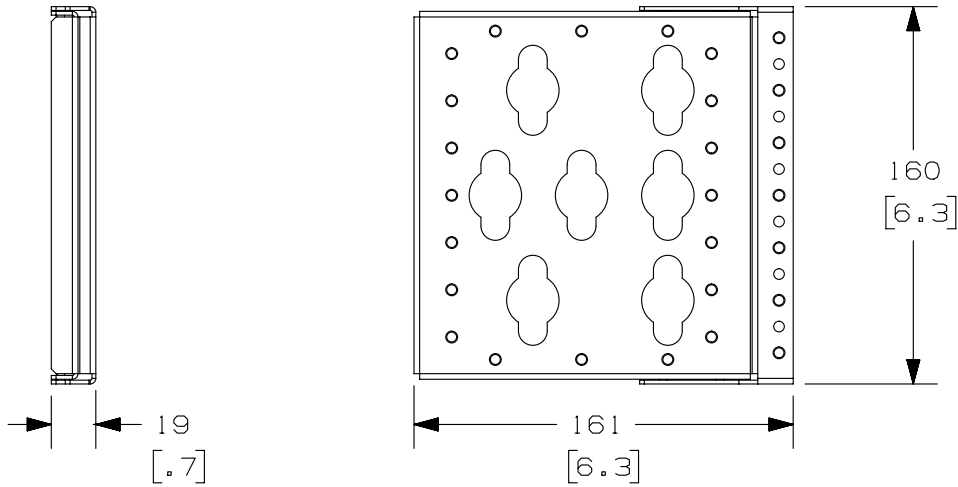
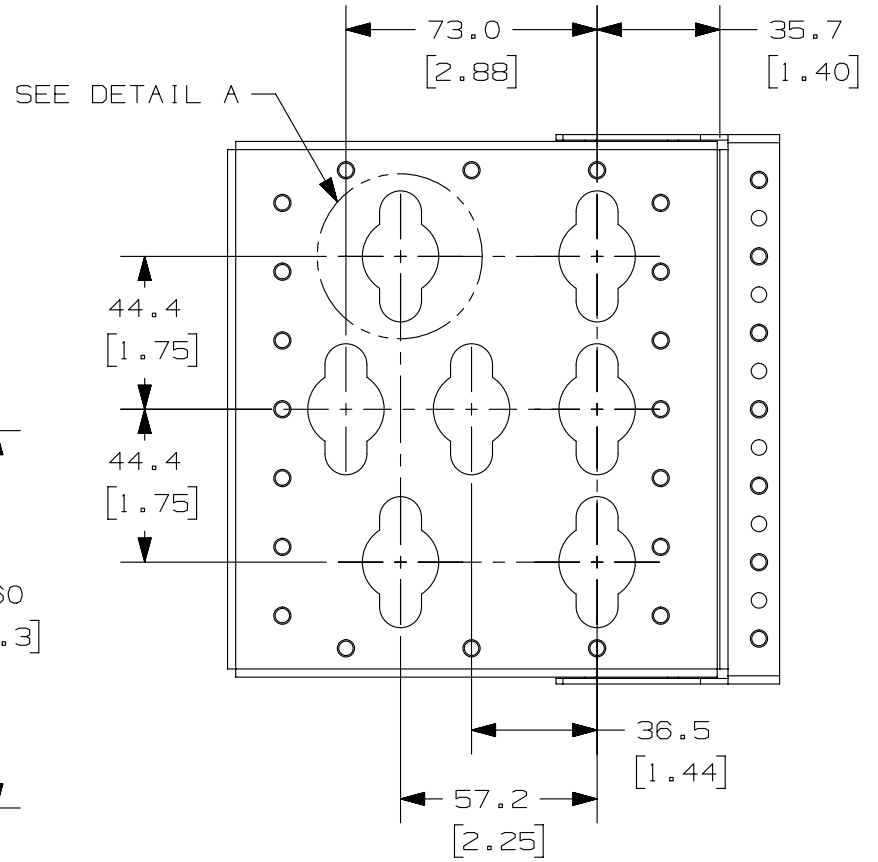
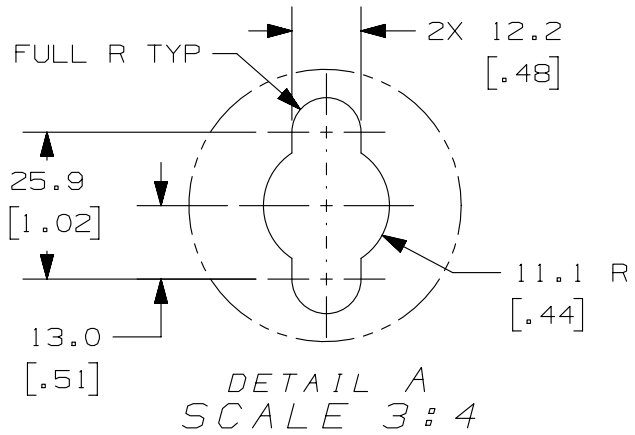
02A	8-29-13	PBS	PIP	KRKE	RELEASED TO PRODUCTION				12V343ZC-DC
REV	DATE	BY	CHK	APR	DESCRIPTION				ECN

TITLE				SPDUBRK			
				CUSTOMER DRAWING			
ITEM REVISION NAME				12V343ZC/02.PRT			
DATASET FILE NAME				12V343ZC_DC_02A.PRT			
UNLESS OTHERWISE SPECIFIED, DIMENSIONAL TOLERANCES ARE:				MATERIAL/COLOR:			
INCHES	+/- 0.06	METRIC - MILLIMETER	+/- 1.5				
X.X	+/- 0.03	X.X	+/- 0.8				
X.XX	+/- 0.015	X.XX	+/- 0.4				
				DRAWING NUMBER:		12V343ZC-DC	
				THIRD ANGLE PROJECTION			
DRAWN BY	DATE	CHK	SCALE				
PBS	8-29-13	PIP	NONE			SHT 1 OF 2	
						SIZE	
						A	

2

1

THIS COPY IS PROVIDED ON A RESTRICTED BASIS AND IS NOT TO BE USED IN ANY WAY DETRIMENTAL TO THE INTERESTS OF PANDUIT CORP.



02A	8-29-13	PBS	PIP	KRKE	SEE SHEET 1 OF 2 FOR REVISIONS				12V343ZC-DC
REV	DATE	BY	CHK	APR	DESCRIPTION				ECN

TITLE				SPDUBRK			
CUSTOMER DRAWING							
ITEM REVISION NAME				12V343ZC/02.PRT			
DATASET FILE NAME				12V343ZC_DC_02A.PRT			
UNLESS OTHERWISE SPECIFIED, DIMENSIONAL TOLERANCES ARE:				MATERIAL/COLOR:			
INCHES		METRIC - MILLIMETER		ANGLE			
X.X	+/- 0.06	X.	+/- 1.5				
X.XX	+/- 0.03	X.X	+/- 0.8				
X.XXX	+/- 0.015	X.XX	+/- 0.4				
DRAWING NUMBER:				12V343ZC-DC			
DRAWN BY				THIRD ANGLE PROJECTION			
DATE		CHK		SCALE			
8-29-13		PIP		NONE			
SHT 2 OF 2				SIZE			
				A			

X-ON Electronics

Largest Supplier of Electrical and Electronic Components

Click to view similar products for [Racks & Rack Cabinet Accessories](#) category:

Click to view products by [Panduit](#) manufacturer:

Other Similar products are found below :

[CR-1727](#) [M00-PLN](#) [F2420](#) [F2424](#) [8310-1032-SS](#) [9104](#) [PLFF2000](#) [PLFF6000](#) [GP216](#) [PTFA60000LG](#) [H-9163-B](#) [AC220-84-1](#) [HEH050BA](#)
[1427C3](#) [BAS-5104](#) [N-700-2](#) [190-002](#) [HTL10](#) [HTS10](#) [PC-118](#) [PC-780L](#) [PC-79](#) [PC-800](#) [SC4-28](#) [F3024](#) [AKWAMT](#) [PLFF1000](#) [GRPB12PG](#)
[CG3-340S/12](#) [2CWDP36](#) [2CWDP48](#) [2SSHINGE](#) [CP-001BK](#) [CPL19431LG1](#) [R570-004-107](#) [M6123-4007-SS](#) [TS170](#) [531300535](#) [BRX-](#)
[12290](#) [C4BD3077SBK1](#) [UPS 7-17-14 PLAIN](#) [LP40](#) [5261304-07](#) [CCA26-44-01](#) [706-102](#) [CG3-160G](#) [7112C-PLN ALUM](#) [CM10](#) [TS81](#) [7142](#)