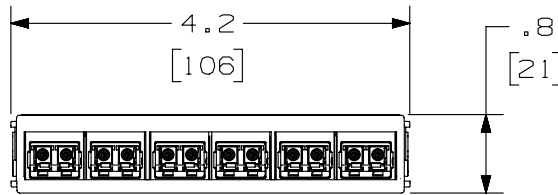
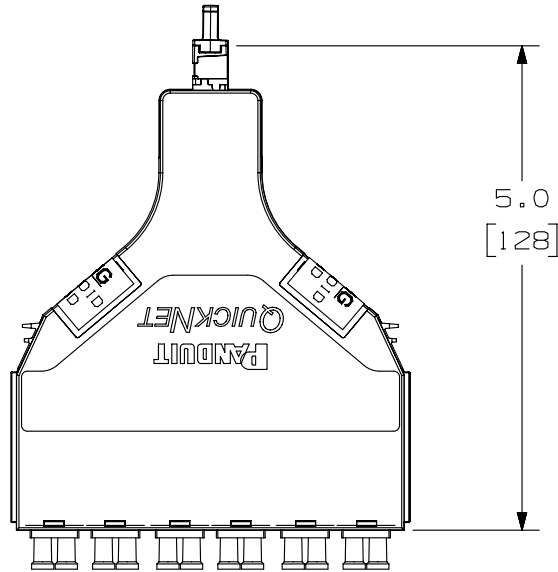
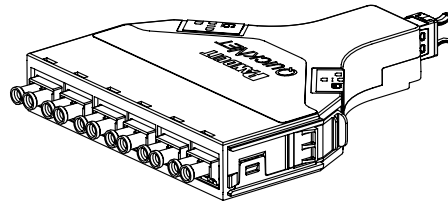


THIS COPY IS PROVIDED ON A RESTRICTED BASIS AND IS NOT TO BE USED IN ANY WAY DETRIMENTAL TO THE INTERESTS OF PANDUIT CORP.



DUPLEX LC PORTS → 1 2 3 4 5 6

VIEW SHOWN WITHOUT DUSTCAPS



PANDUIT PART NUMBER	FIBER TYPE	PERFORMANCE LEVEL	ADAPTER COLOR (SPLIT SLEEVE)
FQ6N-12-10AS	OM1	STANDARD LOSS	ELECTRIC IVORY (PHOS BRONZE)
FQ5N-12-10AS	OM2	STANDARD LOSS	BLACK (PHOS BRONZE)
FQXN-12-10AS	OM3	STANDARD LOSS	AQUA (ZIRCONIA)
FQX0-12-10AS	OM3	OPTIMIZED LOSS	AQUA (ZIRCONIA)
FQZN-12-10AS	OM4	STANDARD LOSS	AQUA (ZIRCONIA)
FQZ0-12-10AS	OM4	OPTIMIZED LOSS	AQUA (ZIRCONIA)
FQSA-12-10AS	OM4+ (SIG CORE)	ULTRA LOW LOSS	AQUA (ZIRCONIA)
FQ9N-12-10AS	OS1/OS2	STANDARD LOSS	BLUE (ZIRCONIA)

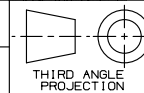
NOTES:

- SEE CURRENT CATALOG FOR PART NUMBER SUFFIXES TO INDICATE COLOR AND/OR PACKAGE QUANTITIES.
- SEE CATALOG FOR A COMPLETE LIST OF PARTS APPLICABLE FOR USE WITH THIS PRODUCT.
- MATERIALS:
A. MODULE MATERIAL: PLASTIC
B. ADAPTER: COMPOSITE PLASTIC
- CASSETTE MODULE WEIGHT: 2.4oz [69.0g]
- DIMENSIONS IN BRACKETS ARE METRIC
- METHOD A CASSETTES COMPLY WITH ANSI/TIA-568-C.O. SEE ANSI/TIA-568-C.O. FOR POLARITY DETAILS AND EXAMPLE OF A BASIC LINK.
- ALL MATERIALS AND COMPONENTS USED MEET THE MATERIAL RESTRICTIONS OF RoHS, (EUROPEAN DIRECTIVE 2011/65/EC ON THE RESTRICTIONS OF HAZARDOUS SUBSTANCES) AS PROPOSED BY THE RoHS TECHNICAL ADAPTATION COMMITTEE.

QUICKNET SFQ SERIES CASSETTE, 12 FIBER
DUPLEX LC TO MPO CASSETTE METHOD A
CUSTOMER DRAWING



PANDUIT™
CORP.
TINLEY PARK, ILL 60477



THIRD ANGLE PROJECTION

ALL DIMENSIONS ARE GIVEN IN INCHES, UNLESS OTHERWISE SPECIFIED,
DIMENSIONAL TOLERANCES ARE:
(.X) (.XXX) ± .010 [0.3]
(.XX) ± .03 [0.8] ANGLES

DRAWING FILENAME
MO2947ZE_DC/02B

SCALE
NONE

DRAWN BY
EFK

REVIEW DRAWING NUMBERS

PART NO.
FQ**-12-10AS

DATE
07-17-09

CHK'D
MTV

DRAWING NO.
02947-39

SIZE
A

REV	DATE	BY	CHK	DESCRIPTION	ECN	R	CUST	SUP	OTH
3	01-10-13	SAT	JESA	RELEASED TO PRODUCTION	02947-39	JESA	CHDE		

X-ON Electronics

Largest Supplier of Electrical and Electronic Components

Click to view similar products for [Fiber Optic Connectors](#) category:

Click to view products by [Panduit](#) manufacturer:

Other Similar products are found below :

[0004700001](#) [6100-R](#) [6313](#) [F709034706](#) [F709722200](#) [F709730000](#) [F718183204](#) [F727403500](#) [F727752800](#) [FCXO-12-3BY](#) [FO-SCREW\(M2X6\)](#) [9440F20-27S-190](#) [944-120-6001](#) [944-125-6003](#) [9441F10SL-3P](#) [953-101-5310-P](#) [954-101-57202B](#) [A0270169](#) [12-9122](#) [12-5702](#) [143025NC](#) [DSAKB](#) [AX101713](#) [AX102420](#) [AX103923](#) [AX104193](#) [AX104230](#) [AX104562](#) [AX104683](#) [AX105203-B25](#) [AX105205-S1](#) [EHSC2M](#) [17-300800](#) [180-044NF06-11-2S](#) [180-044NF06-17-8P](#) [180-044NF07-11-2S](#) [181-011-126](#) [181-011-S](#) [181-057-126](#) [BT34IW](#) [HRFCP-HSCJ-1\(61\)](#) [HRFC-R2\(40\)](#) [NKSOPBUY](#) [20500002116](#) [2064996-1](#) [20800001065](#) [2170](#) [9132](#) [2612](#) [2620](#)