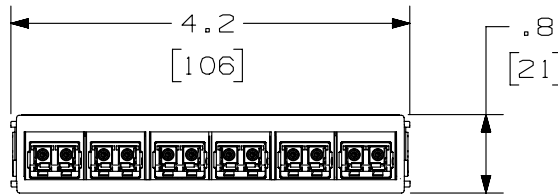
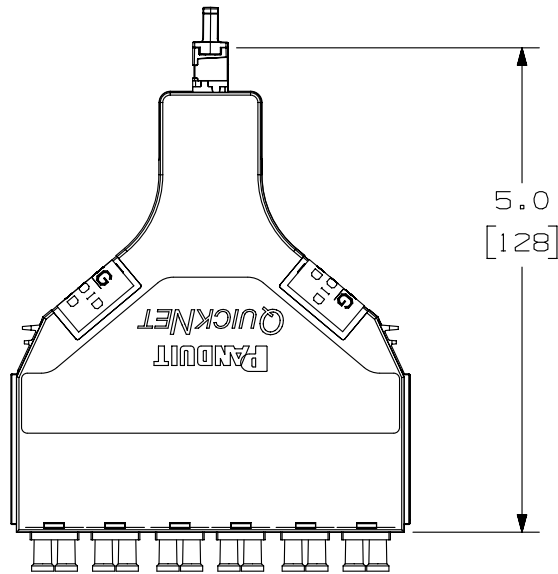
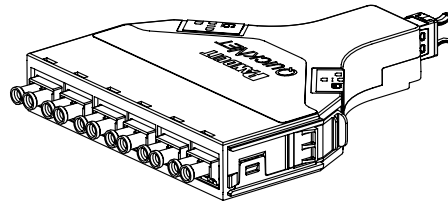


THIS COPY IS PROVIDED ON A RESTRICTED BASIS AND IS NOT TO BE USED IN ANY WAY DETRIMENTAL TO THE INTERESTS OF PANDUIT CORP.



DUPLEX LC PORTS

VIEW SHOWN WITHOUT DUSTCAPS



PANDUIT PART NUMBER	FIBER TYPE	PERFORMANCE LEVEL	ADAPTER COLOR (SPLIT SLEEVE)
FQ6N-12-10AS	OM1	STANDARD LOSS	ELECTRIC IVORY (PHOS BRONZE)
FQ5N-12-10AS	OM2	STANDARD LOSS	BLACK (PHOS BRONZE)
FQXN-12-10AS	OM3	STANDARD LOSS	AQUA (ZIRCONIA)
FQX0-12-10AS	OM3	OPTIMIZED LOSS	AQUA (ZIRCONIA)
FQZN-12-10AS	OM4	STANDARD LOSS	AQUA (ZIRCONIA)
FQZ0-12-10AS	OM4	OPTIMIZED LOSS	AQUA (ZIRCONIA)
FQSA-12-10AS	OM4+ (SIG CORE)	ULTRA LOW LOSS	AQUA (ZIRCONIA)
FQ9N-12-10AS	OS1/OS2	STANDARD LOSS	BLUE (ZIRCONIA)

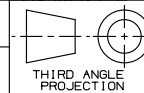
NOTES:

- SEE CURRENT CATALOG FOR PART NUMBER SUFFIXES TO INDICATE COLOR AND/OR PACKAGE QUANTITIES.
- SEE CATALOG FOR A COMPLETE LIST OF PARTS APPLICABLE FOR USE WITH THIS PRODUCT.
- MATERIALS:
 - MODULE MATERIAL: PLASTIC
 - ADAPTER: COMPOSITE PLASTIC
- CASSETTE MODULE WEIGHT: 2.4oz [69.0g]
- DIMENSIONS IN BRACKETS ARE METRIC
- METHOD A CASSETTES COMPLY WITH ANSI/TIA-568-C.O. SEE ANSI/TIA-568-C.O. FOR POLARITY DETAILS AND EXAMPLE OF A BASIC LINK.
- ALL MATERIALS AND COMPONENTS USED MEET THE MATERIAL RESTRICTIONS OF RoHS, (EUROPEAN DIRECTIVE 2011/65/EC ON THE RESTRICTIONS OF HAZARDOUS SUBSTANCES) AS PROPOSED BY THE RoHS TECHNICAL ADAPTATION COMMITTEE.

QUICKNET SFQ SERIES CASSETTE, 12 FIBER
 DUPLEX LC TO MPO CASSETTE METHOD A
 CUSTOMER DRAWING



PANDUIT™
 CORP.
 TINLEY PARK, ILL 60477



ALL DIMENSIONS ARE GIVEN IN INCHES, UNLESS OTHERWISE SPECIFIED,
 DIMENSIONAL TOLERANCES ARE:
 (.X) (.XXX) ± .010 [0.3]
 (.XX) ± .03 [0.8] ANGLES

DRAWING FILENAME
 MO2947ZE_DC/02B

SCALE
 NONE

DRAWN BY
 EFK

REVIEW DRAWING NUMBERS

PART NO.
 FQ**-12-10AS

DATE
 07-17-09

DRAWING NO. SIZE

CHK'D
 MTV

02947-39 A

REV	DATE	BY	CHK	DESCRIPTION	ECN	R	CUST	SUP	OTH
3	01-10-13	SAT	JESA	RELEASED TO PRODUCTION	02947-39	JESA	CHDE		

X-ON Electronics

Largest Supplier of Electrical and Electronic Components

Click to view similar products for [Fiber Optic Connectors](#) category:

Click to view products by [Panduit](#) manufacturer:

Other Similar products are found below :

[0004700001](#) [6100-R](#) [6313](#) [F709034706](#) [F709722200](#) [F709730000](#) [F718183204](#) [F727403500](#) [F727752800](#) [FCXO-12-3BY](#) [FO-SCREW\(M2X6\)](#) [9440F20-27S-190](#) [944-120-6001](#) [944-125-6003](#) [9441F10SL-3P](#) [953-101-5310-P](#) [954-101-57202B](#) [A0270169](#) [12-9122](#) [12-5702](#) [143025NC](#) [DSAKB](#) [AX101713](#) [AX102420](#) [AX103923](#) [AX104193](#) [AX104230](#) [AX104562](#) [AX104683](#) [AX105203-B25](#) [AX105205-S1](#) [EHSC2M](#) [17-300800](#) [180-044NF06-11-2S](#) [180-044NF06-17-8P](#) [180-044NF07-11-2S](#) [181-011-126](#) [181-011-S](#) [181-057-126](#) [BT34IW](#) [HRFCP-HSCJ-1\(61\)](#) [HRFC-R2\(40\)](#) [NKSOPBUY](#) [20500002116](#) [2064996-1](#) [20800001065](#) [2170](#) [9132](#) [2612](#) [2620](#)