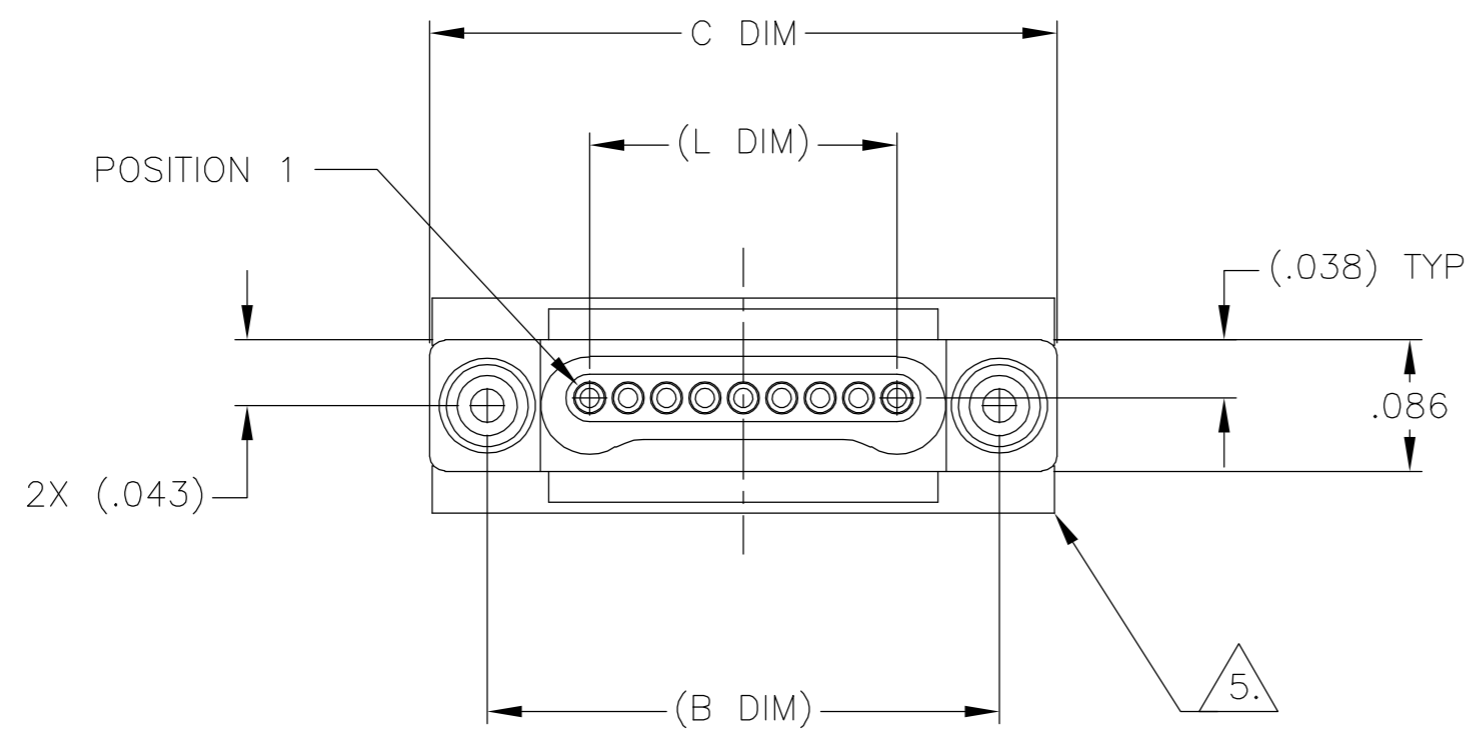
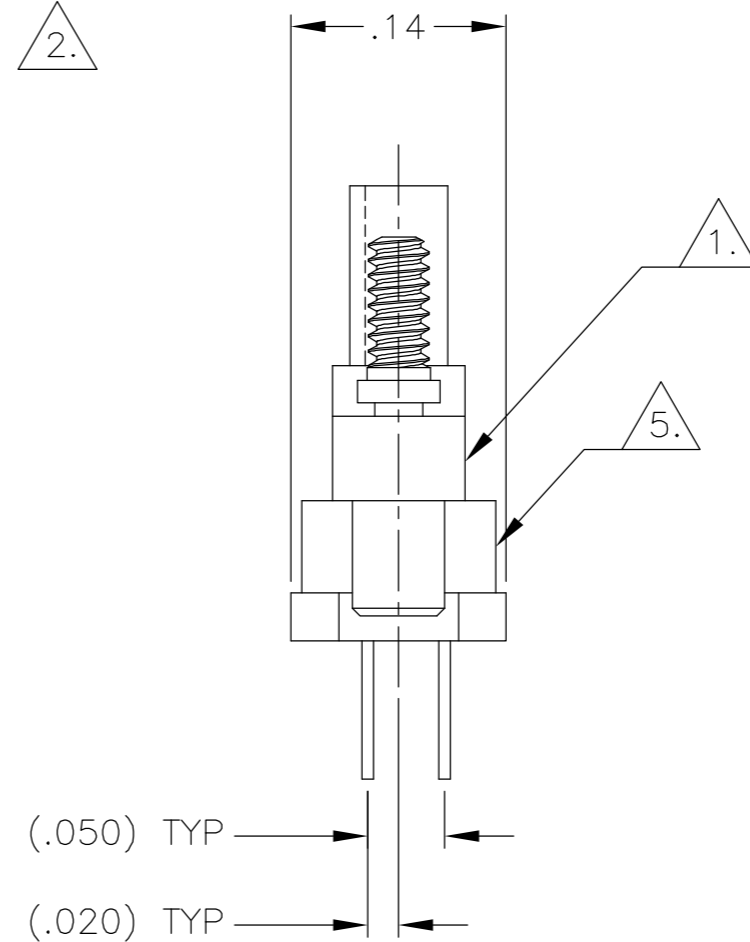
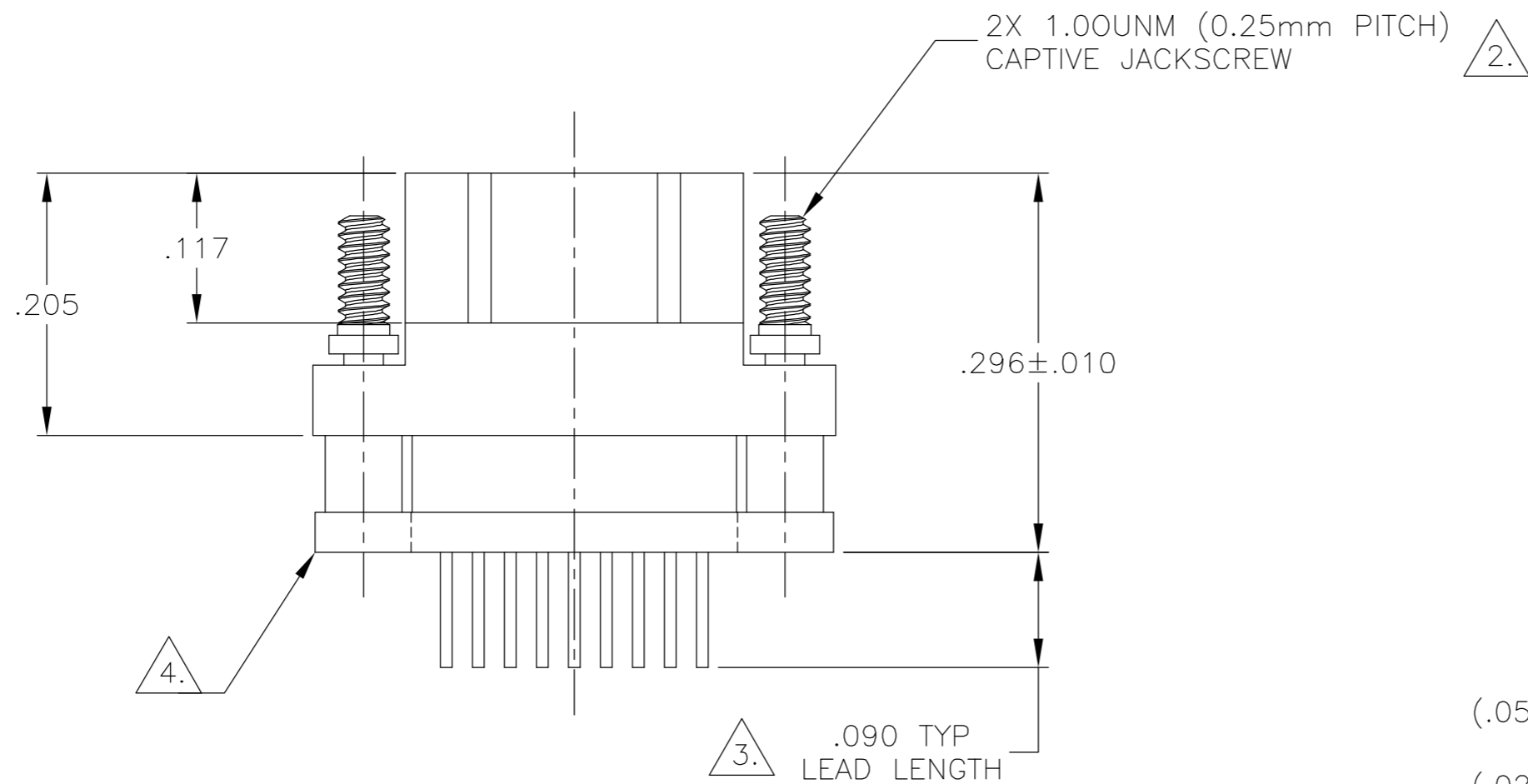


THIS DRAWING IS UNPUBLISHED. RELEASED FOR PUBLICATION
 © COPYRIGHT BY TYCO ELECTRONICS CORPORATION. ALL RIGHTS RESERVED.

| LOC | DIST | REVISIONS | | | | | |
|-----|------|-----------|-----|-------------------------|----------|-----|------|
| DF | DO | P | LTR | DESCRIPTION | DATE | DWN | APVD |
| | | H | | UPDATE PER 0H2Y-0164-04 | 05-12-04 | JDM | MKS |



| SIZE | (B DIM) | C DIM ±.0050 | (L DIM) |
|------|---------|-----------------|---------|
| 05 | (.233) | .3085 | (.100) |
| 09 | (.333) | .4085 | (.200) |
| 15 | (.483) | .5585 | (.350) |
| 25 | (.733) | .8085 | (.600) |
| 37 | (1.033) | 1.1085 | (.900) |
| 51 | (1.383) | 1.4585 | (1.250) |

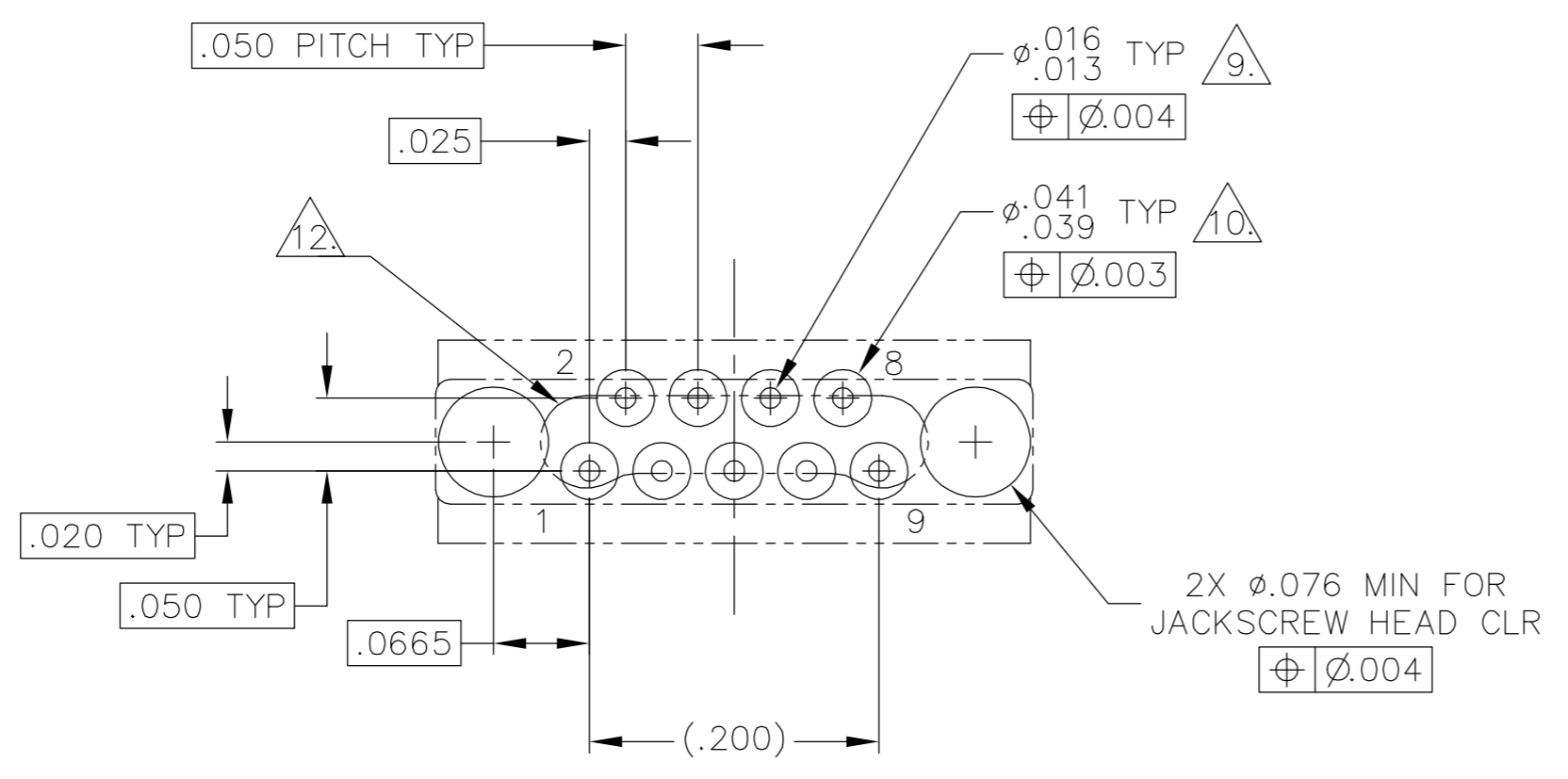
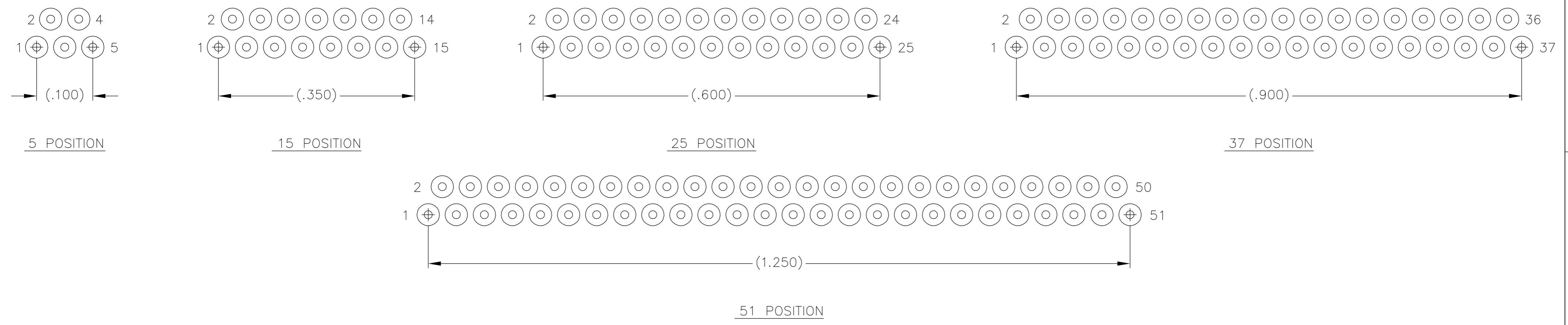


- 1. SHELL OPTIONS (TO BE SPECIFIED IN NANONICS PART NUMBER):
 METAL: 6061-T6 ALUMINUM, ELECTROLESS NICKEL PLATED PER MIL-C-26074 (STANDARD) OR GOLD PLATED PER MIL-G-45204
 303 STAINLESS STEEL, PASSIVATED PER SAE-AMS-QQ-P-35
 INSULATOR MATERIAL FOR ALL METAL SHELLS IS LIQUID CRYSTAL POLYMER (LCP) PER MIL-M-24519 OR PER ASTM D5138
 PLASTIC: LIQUID CRYSTAL POLYMER (LCP) PER MIL-M-24519 OR PER ASTM D5138
- 2. STANDARD 1.00UNM CAPTIVE JACKSCREWS ARE SHOWN FOR REFERENCE ONLY AND MUST BE SPECIFIED IN THE NANONICS PART NUMBER WHEN REQUIRED. JACKSCREW MATERIAL IS 303 STAINLESS STEEL, PASSIVATED PER SAE-AMS-QQ-P-35, AND DRY LUBED PER DOD-L-85645. RETAINING RING IS 17-4 STAINLESS STEEL, PASSIVATED PER SAE-AMS-QQ-P-35. JACKSCREWS HAVE A .9mm HEX SOCKET HEAD. 1.20UNM JACKSCREWS ALSO AVAILABLE.
- 3. LEAD MATERIAL: HH BRASS, TIN LEAD PLATED 60/40 COMPOSITION PER SAE-AMS-P-81728
- 4. INSULATOR BOARD MATERIAL: G10 OR EQUIVALENT
- 5. EPOXY ENCAPSULATION
- 6. NANONICS TERMINATION CODE: C5
- 7. THIS DRAWING PREVIOUSLY IDENTIFIED AS NANONICS N10138/127

| | | | |
|--|--|-------------------------------|---|
| THIS DRAWING IS A CONTROLLED DOCUMENT. | | DWN D. RYAN 06-08-94 | Tyco Electronics Corporation Harrisburg, PA 17105 |
| DIMENSIONS: INCHES | | CHK E. BURGER 06-08-94 | |
| TOLERANCES UNLESS OTHERWISE SPECIFIED: | | APVD M. STORRY 05-16-01 | NAME |
| 0 PLC ± - 1 PLC ± - 2 PLC ± .010 3 PLC ± .005 4 PLC ± - ANGLES ± 1° | | PRODUCT SPEC | PLUG ASSEMBLY, VERTICAL MOUNT, THROUGH HOLE, 1 TO 2 ROW, .050 SPACING, PLASTIC OR METAL |
| MATERIAL SEE NOTES | | FINISH SEE NOTES | SIZE A2 |
| | | WEIGHT - | CAGE CODE 00779 |
| | | CUSTOMER DRAWING | DRAWING NO C=1589461 |
| | | SCALE 8:1 | RESTRICTED TO - |
| | | SHEET 1 | OF 2 |
| | | REV H | |

THIS DRAWING IS UNPUBLISHED. RELEASED FOR PUBLICATION
 © COPYRIGHT BY TYCO ELECTRONICS CORPORATION. ALL RIGHTS RESERVED.

| LOC | DIST | REVISIONS | | | | | |
|-----|------|-----------|-----|-------------------------|----------|-----|------|
| DF | DO | P | LTR | DESCRIPTION | DATE | DWN | APVD |
| | | H | | UPDATE PER 0H2Y-0164-04 | 05-12-04 | JDM | MKS |



TYPICAL PCB LAYOUT $\triangle 8$
 SIZE 09 SHOWN FOR REFERENCE

- $\triangle 8$. POSITIONAL TOLERANCES FOR BASIC DIMENSIONED FEATURES ARE RELATIVE TO FIDUCIALS OR SOME SIMILAR DATUM REFERENCES DEFINED BY PCB DESIGNER.
- $\triangle 9$. PLATED THROUGH HOLES
- $\triangle 10$. SOLDER PADS
- 11. ALL THROUGH HOLE LAYOUTS ARE AS VIEWED FROM TOP OF PCB.
- $\triangle 12$. CONNECTOR ORIENTATION

| | | | | | | | | | | | | | | | | | | | | | |
|--|---|-------------------------------|---|---|-------|---|---|-------|---|------|-------|---|------|-------|---|---|--------|--|------|-------------------|------------|
| THIS DRAWING IS A CONTROLLED DOCUMENT. | | DWN D. RYAN 06-08-94 | Tyco Electronics Corporation Harrisburg, PA 17105 | | | | | | | | | | | | | | | | | | |
| DIMENSIONS: INCHES | | CHK E. BURGER 06-08-94 | | | | | | | | | | | | | | | | | | | |
| TOLERANCES UNLESS OTHERWISE SPECIFIED: | | APVD M. STORRY 05-16-01 | NAME PLUG ASSEMBLY, VERTICAL MOUNT, THROUGH HOLE, 1 TO 2 ROW, .050 SPACING, PLASTIC OR METAL | | | | | | | | | | | | | | | | | | |
| <table border="1"> <tr><td>0 PLC</td><td>±</td><td>-</td></tr> <tr><td>1 PLC</td><td>±</td><td>-</td></tr> <tr><td>2 PLC</td><td>±</td><td>.010</td></tr> <tr><td>3 PLC</td><td>±</td><td>.005</td></tr> <tr><td>4 PLC</td><td>±</td><td>-</td></tr> <tr><td>ANGLES</td><td></td><td>± 1°</td></tr> </table> | | 0 PLC | ± | - | 1 PLC | ± | - | 2 PLC | ± | .010 | 3 PLC | ± | .005 | 4 PLC | ± | - | ANGLES | | ± 1° | PRODUCT SPEC - | SIZE A2 |
| 0 PLC | ± | - | | | | | | | | | | | | | | | | | | | |
| 1 PLC | ± | - | | | | | | | | | | | | | | | | | | | |
| 2 PLC | ± | .010 | | | | | | | | | | | | | | | | | | | |
| 3 PLC | ± | .005 | | | | | | | | | | | | | | | | | | | |
| 4 PLC | ± | - | | | | | | | | | | | | | | | | | | | |
| ANGLES | | ± 1° | | | | | | | | | | | | | | | | | | | |
| MATERIAL - | | FINISH - | CAGE CODE 00779 | | | | | | | | | | | | | | | | | | |
| | | WEIGHT - | DRAWING NO C=1589461 | | | | | | | | | | | | | | | | | | |
| | | CUSTOMER DRAWING | RESTRICTED TO - | | | | | | | | | | | | | | | | | | |
| | | SCALE 8:1 | SHEET 2 OF 2 | | | | | | | | | | | | | | | | | | |
| | | | REV H | | | | | | | | | | | | | | | | | | |

X-ON Electronics

Largest Supplier of Electrical and Electronic Components

Click to view similar products for [Rectangular MIL Spec Connectors](#) category:

Click to view products by [TE Connectivity](#) manufacturer:

Other Similar products are found below :

[006-1169-16](#) [CSR31343-0001-00000](#) [CSR31346-0001-A0001](#) [CSR31899-0001-00000](#) [CSR31900-0001-A0001](#) [CTJ-3D-05](#) [CTS-S16/16](#)
[M55302/57A36X](#) [M55302/58-A70Y](#) [65002-062](#) [65008-D08](#) [CY4602-000](#) [732-8020-01](#) [732-8021-02 B](#) [77058-22-55PN](#) [81542-20](#)
[86.030.0053.0](#) [1241346-1](#) [RM252-020-311-2900](#) [DMC-M 08-16 SNE](#) [1589051-4](#) [BACC65CAMA](#) [BACC65CAMN](#) [BACC65CP1PN](#)
[BACI10BC1220PN](#) [18023-9](#) [HSB-D4S03DM222X](#) [2217548-1](#) [891-009-15SA2-BRT1T](#) [SIM2S100A](#) [1604996-2](#) [SMD25PN90L-4055](#)
[1925036-4](#) [220A012-25225-0](#) [22628-10-6P-791](#) [CSR31343-0001-A0001](#) [CSR31899-0001-A0001](#) [CSR31900-0001-00000](#) [33526M11-08PD](#)
[RE04-212S](#) [CTD160E01F-6148](#) [CTJ112E03B](#) [CTJ122E02D-8000](#) [CTJ-3D-12](#) [CTJ920E06N-513](#) [CTJ920E12N-513](#) [CTL-16-090](#) [CTR06-](#)
[5100SY](#) [M55302/63A20H](#) [M55302/66-30H](#)