

LOC	DIST	REV	DESCRIPTION	DATE	OWN	APVD
B			RELEASED PER ECO-13-004502	12MAR2013	KM	DH
C			REVISED PER ECO-13-008265	15MAY2013	DB	DH

- ① HOUSING: LCP, UL94V0. COLOR: BLACK.
CONTACT: PHOSPHOR BRONZE.
POST: BRASS WIRE
- ② CONTACT: 1.27μm MIN GOLD IN PAD CONTACT AREA
1.27μm MIN TIN-LEAD ON PCB TAIL
OVER 1.27μm MIN NICKEL OVER ALL.
POST 1.27μm MIN NICKEL PLATED.
- ③ PLATED THROUGH HOLE PER 114-13056, FIGURE 4
- ④ SEE TABLE 1 FOR INTERCONNECTIONS TO BACKPLANE CONNECTOR.
- ⑤ CONTACT: 1.27μm MIN GOLD IN PAD CONTACT AREA,
1.27μm MIN TIN ON PCB TAIL OVER 1.27μm MIN.
NICKEL OVER ALL.
POST: 1.27μm MIN NICKEL PLATED.

TABLE 1
INTERCONNECTIONS WITH BACKPLANE CONNECTOR
2102736-1 OR 2102851-1

TYPICAL INTERCONNECTIONS FOR EACH ODD-NUMBERED COLUMN (WAFER): 1, 3, 5, 7		
CONTACT USAGE	DAUGHTERCARD CONNECTOR PIN	BACKPLANE CONNECTOR PIN
SIGNAL PAIR	ax	ax
	bx	bx
SIGNAL PAIR	dx	ex
	ex	fx
SIGNAL	gx	ix
GROUPS	c x, f x (ALL COMMONED)	c x, d x, g x, h x

TYPICAL INTERCONNECTIONS FOR EACH EVEN-NUMBERED COLUMN (WAFER): 2, 4, 6, 8		
CONTACT USAGE	DAUGHTERCARD CONNECTOR PIN	BACKPLANE CONNECTOR PIN
SIGNAL PAIR	bx	cx
	cx	dx
SIGNAL PAIR	ex	gx
	fx	hx
GROUPS	ax, dx, gx, (ALL COMMONED)	ax, bx, ex, fx, ix

TYPICAL INTERCONNECTIONS FOR EACH COLUMN (WAFER): 9, 10, 11, 12, 13, 14, 15, 16		
CONTACT USAGE	DAUGHTERCARD CONNECTOR PIN	BACKPLANE CONNECTOR PIN
SIGNAL	ax	bx
SIGNAL	bx	cx
SIGNAL	dx	ex
SIGNAL	fx	gx
SIGNAL	gx	hx
GROUPS	cx, ex, (ALL COMMONED)	ax, dx, fx, ix

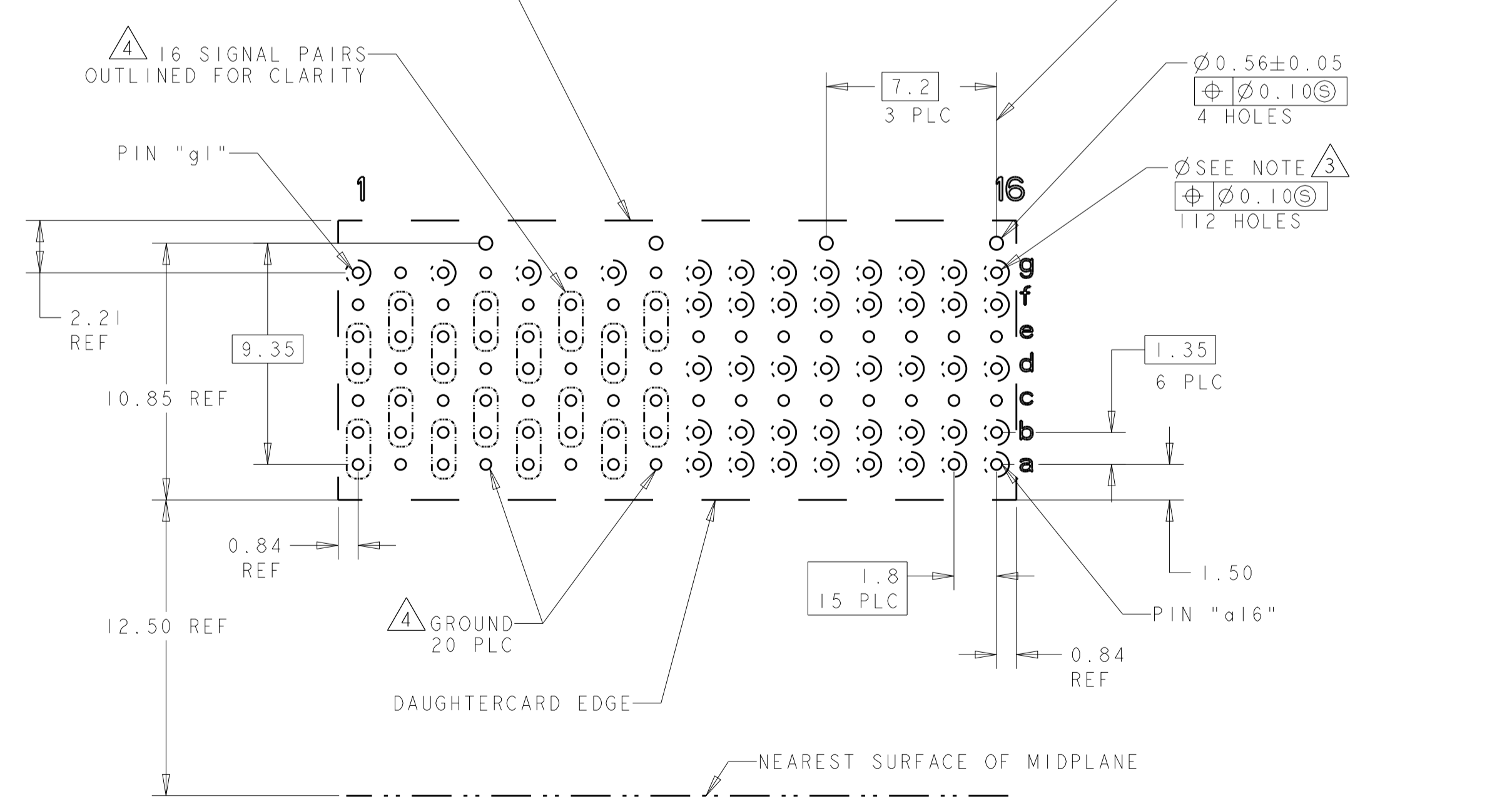
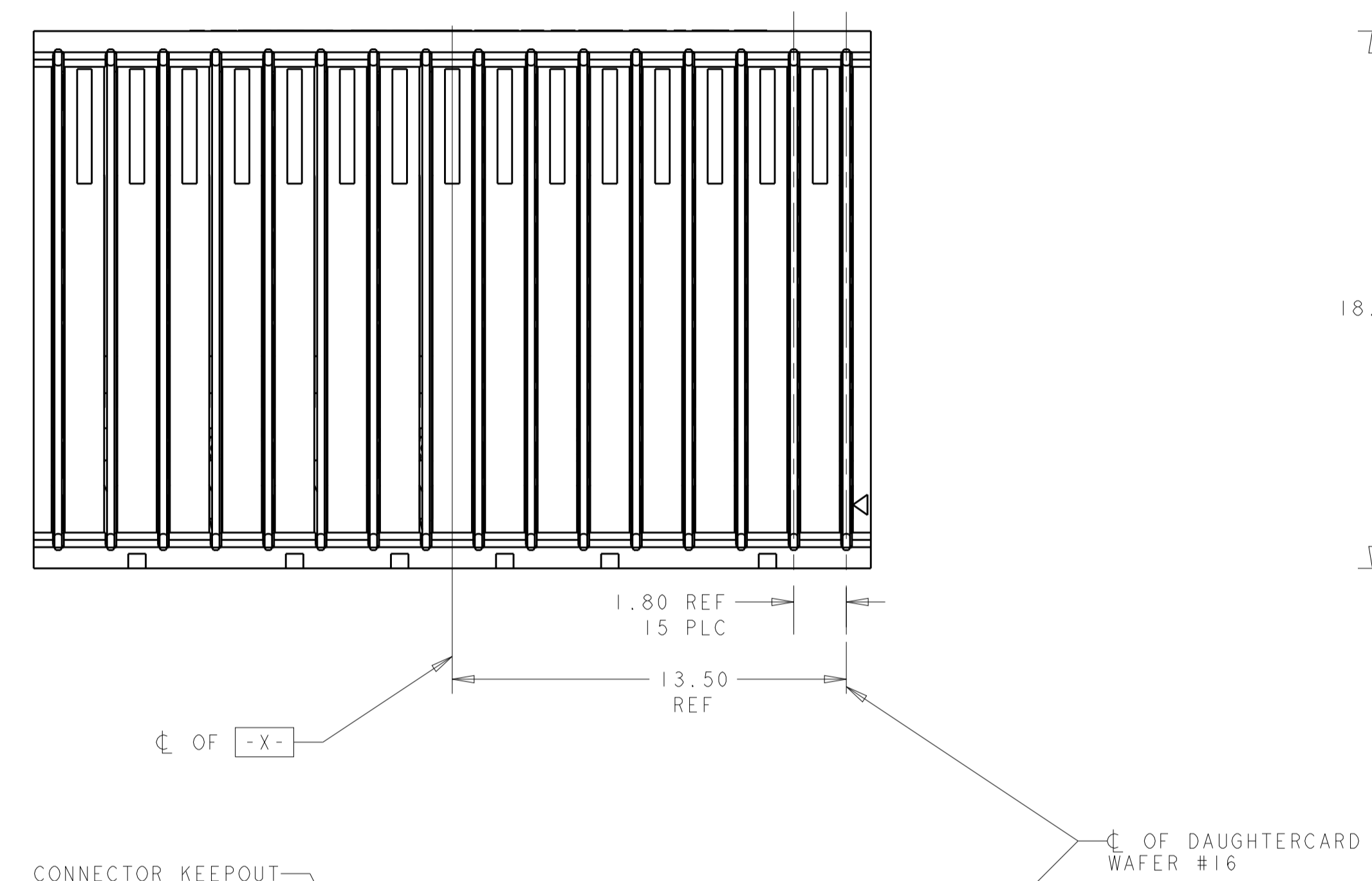
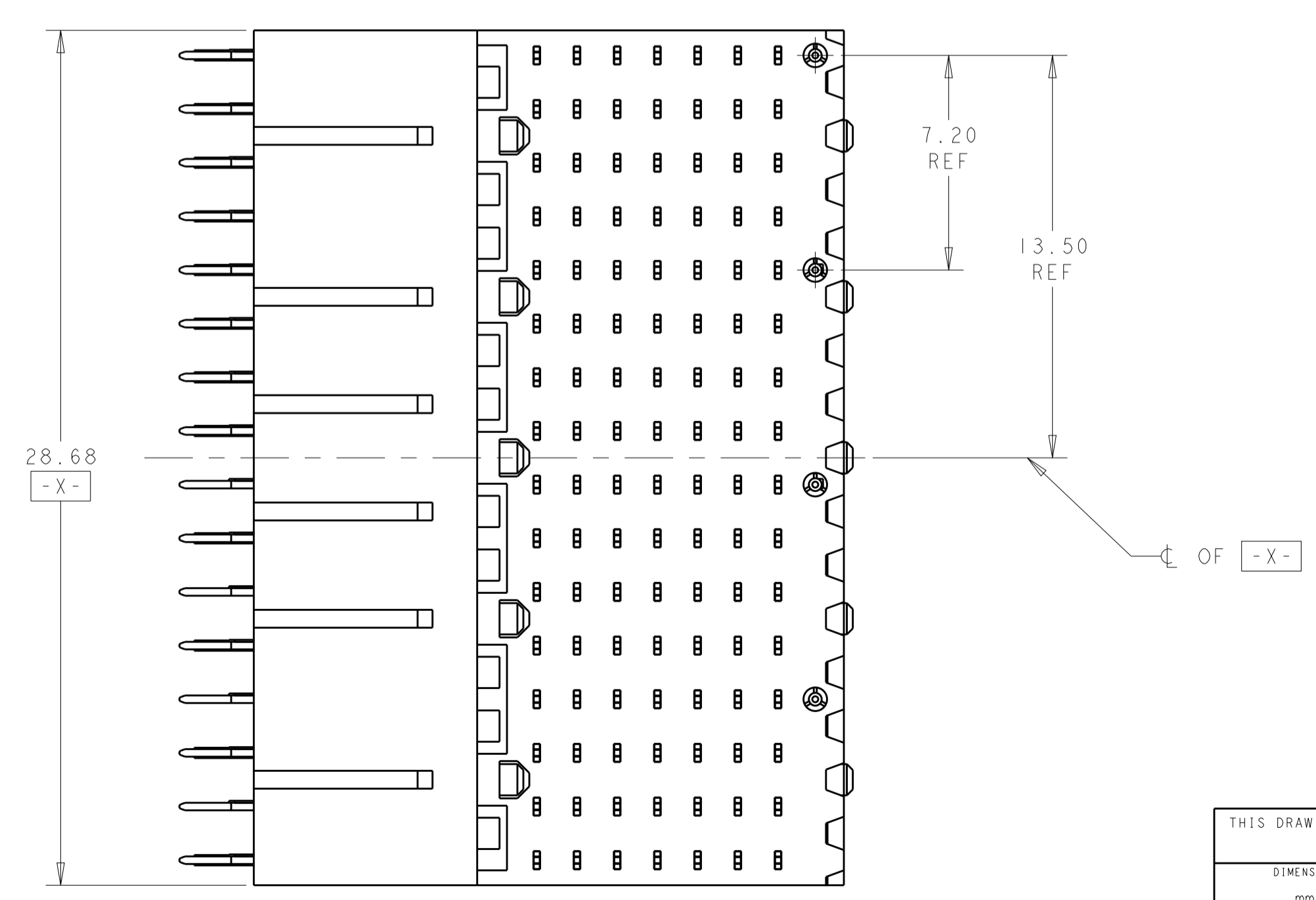
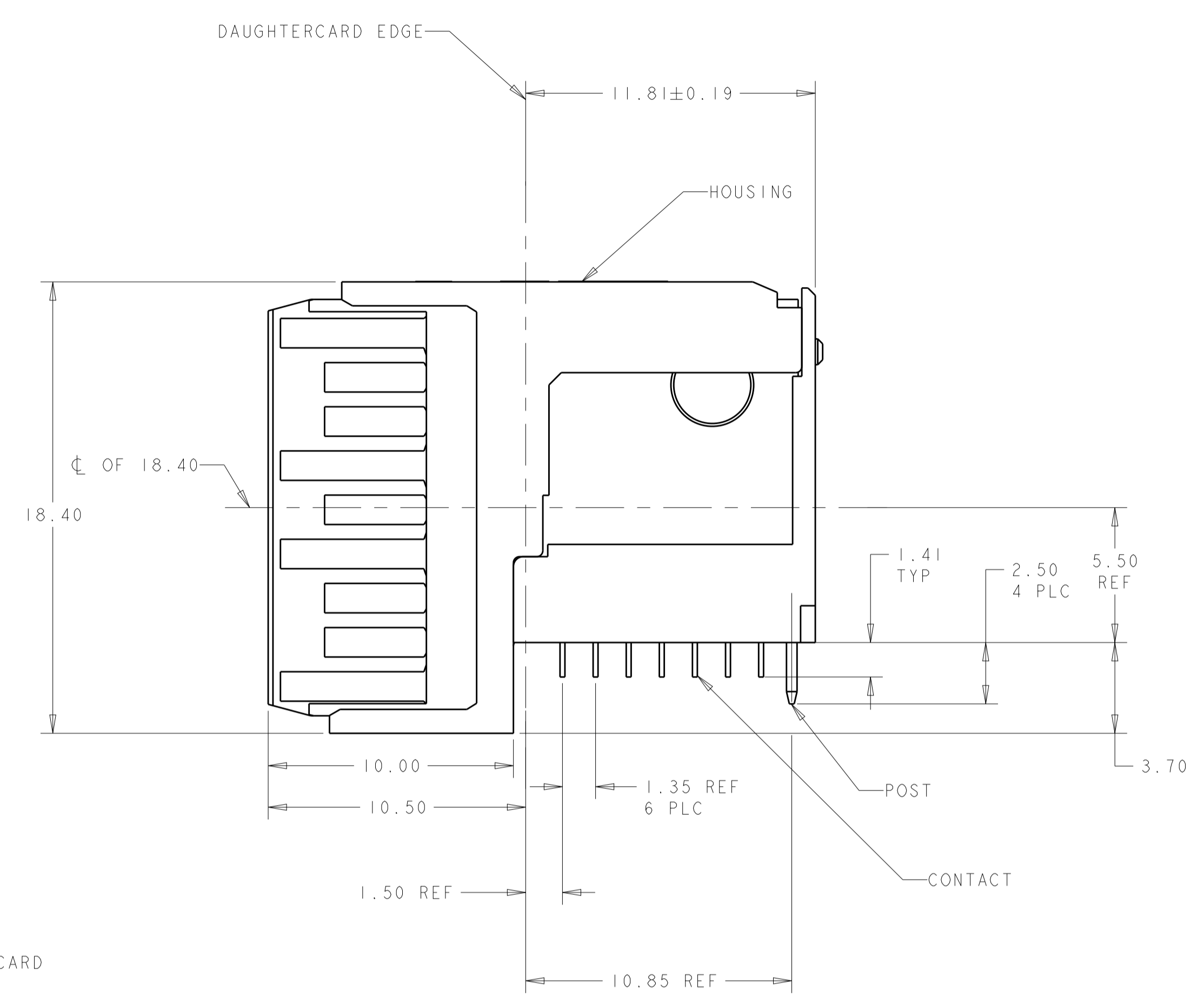
NOTE: "x" DESIGNATES THE COLUMN NUMBER

⑤	2102849-2
④	2102849-1
PLATING	PART NO

THIS DRAWING IS A CONTROLLED DOCUMENT.

OWN: R. MILLER 29NOV2011	CHK: K. THACKSTON 12JAN2012	APVD: M. McALONIS 25SEP2012	NAME: RIGHT-ANGLE PLUG ASSEMBLY, 7 ROW, CENTER, 20.3mm, MULTIGIG RT 2-R DAUGHTERCARD CONNECTOR, DIFF.-SE
DIMENSIONS: mm	TOLERANCES UNLESS OTHERWISE SPECIFIED:	PRODUCT SPEC: 108-2072	APPLICATION SPEC: 114-13056
0 PLC ±0.5	1 PLC ±0.13	SIZE: 114-13056	WEIGHT: 10.33g
2 PLC ±0.13	3 PLC ±0.13	FINISH: SEE TABLE	Customer Drawing
4 PLC ±0.13	5 PLC ±0.13	SCALE: 6:1	SHEET 1 OF 1
ANGLES ±1°			REV C

STE TE Connectivity



PC BOARD REAR TRANSITION MODULE
(CONNECTOR SIDE)
SCALE 5:1

X-ON Electronics

Largest Supplier of Electrical and Electronic Components

Click to view similar products for [High Speed/Modular Connectors](#) category:

Click to view products by [TE Connectivity](#) manufacturer:

Other Similar products are found below :

[2332816-1](#) [89006-1137LF](#) [650827-1](#) [65762-001LF](#) [73474-201LF](#) [74040-1346](#) [74075-0267](#) [1410191-1](#) [1410337-1](#) [1410368-3](#) [1410964-2](#)
[1410367-3](#) [1410971-4](#) [1467833-1](#) [2000877-1](#) [2000878-1](#) [2041314-1](#) [2065387-1](#) [2187307-1](#) [2187462-1](#) [2226278-6](#) [KA81-07](#) [91290-101LF](#)
[163P](#) [1934290-1](#) [2000875-1](#) [2065917-1](#) [2102736-2](#) [FSR-40](#) [2169868-2](#) [2226279-2](#) [22354-8](#) [437-5040-000](#) [5-1393565-0](#) [532449-3](#) [532803-](#)
[2](#) [34745-0001](#) [0736440217](#) [1-1393708-5](#) [72388-0021LF](#) [73774-1000](#) [532939-1](#) [5-531355-3](#) [5532901-3](#) [85838-180LF](#)
[HM1S43TRR460H6PLF](#) [0760205010](#) [1-966831-4](#) [3-1469268-7](#) [77427-121LF](#)