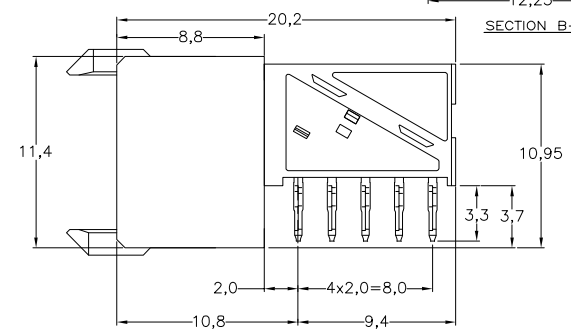
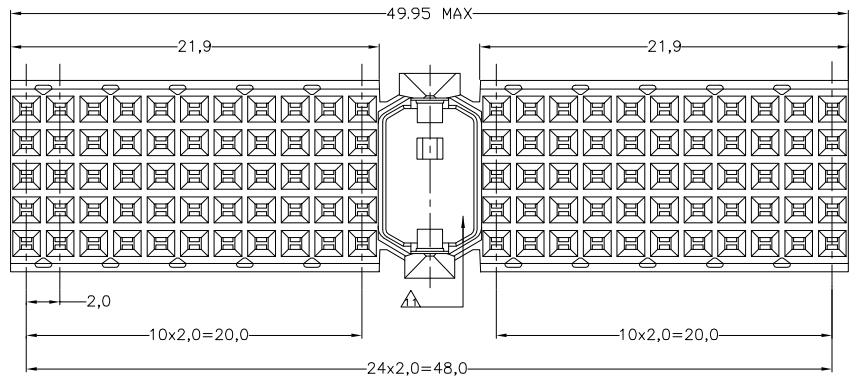
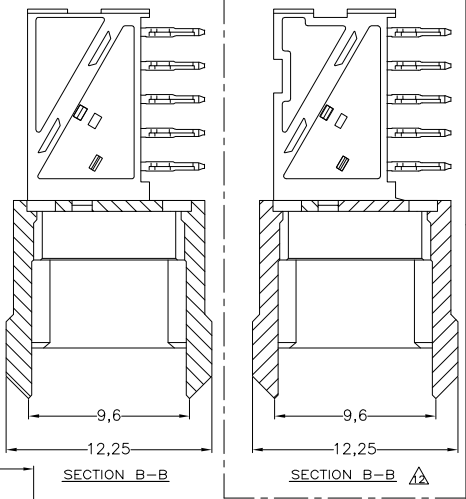
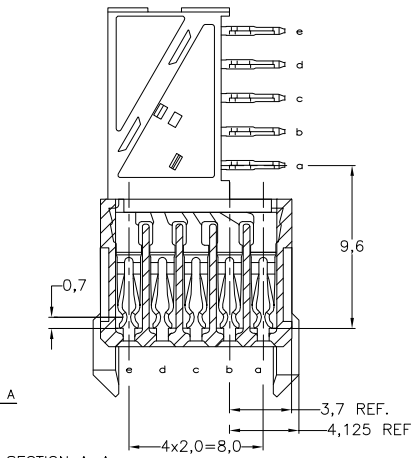
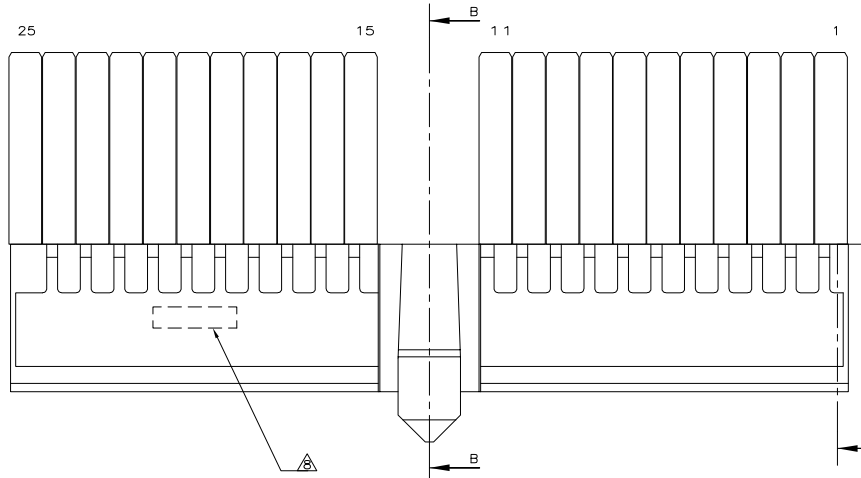
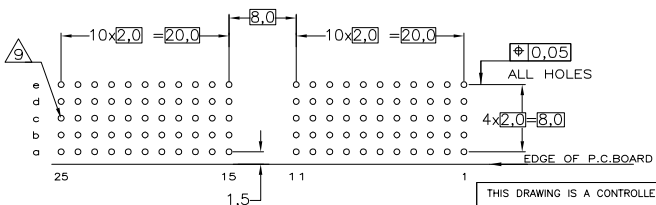


THIS DRAWING IS UNPUBLISHED.
 RELEASED FOR PUBLICATION
 © COPYRIGHT - By - ALL RIGHTS RESERVED.

LOC		DISP		REVISIONS			
P	LTR	DESCRIPTION	DATE	DN	APVD		
A		INITIAL RELEASE	14AUG2012	SY	AC		



- NOTES:**
- △ MATERIAL CONTACT; PHOSPHORBRONZE
 - △ MATERIAL HOUSING; GLASSFILLED POLYESTER (GRAY) UL-RATING 49VO
 - △ GENERAL PLATING SPECIFICATION: UNDERPLATING (ENTIRE CONTACT): 1,27μm NICKEL MIN. AND ACTION PIN: 0,5μm TIN-LEAD MIN.
 - △ FOR PLATING OF MATING SURFACES SEE APPLICABLE SPECIFICATION REFERENCE FOR EACH DASH NUMBER.
 - △ CONFORMS TO ALL TESTING ACCORDING IEC 61076-4-101 PERFORMANCE LEVEL 2.
 - △ CONFORMS TO ALL TESTING ACCORDING IEC 61076-4-101 PERFORMANCE LEVEL 1.
 - △ CONNECTOR TESTED AND QUALIFIED AGAINST TELCORDIA GR-1217-CORE QUALITY LEVEL III, CENTRAL OFFICE APPLICATIONS.
 - △ CONNECTOR TESTED AND QUALIFIED AGAINST TELCORDIA GR-1217-CORE QUALITY LEVEL III, UNCONTROLLED ENVIRONMENT APPLICATIONS.
 - △ CONNECTOR LUBRICATED WITH TELCORDIA GR-1217-CORE APPROVED LUBRICANT.
 - △ CONNECTOR MARKED WITH PARTNUMBER AND DATECODE.
 - △ THE MARKING CAN APPEAR ON THE FRONT SIDE OR ON THE BACK SIDE.
 - △ PLATED-THROUGH HOLES AT 2x2mm SQUARE GRID; 110 HOLES.
 - △ FITS WITH INTEGRATED GROUND RETURN UPSHIELD, BASIC P.N. 338107 AND INTEGRATED GROUND RETURN LOWERSHIELD, BASIC P.N. 338108
 - △ AREA RESERVED FOR CODING KEY, BASIC P.N. 100526
 - △ CONNECTOR ASSEMBLED WITH ALTERNATE FEMALE CONTACTS.
 - △ 1,27μm MIN GOLD PLATING AT MATING SURFACES, NO LUBRICANT.



SCALE 2,5:1
 COMPONENT SIDE AS SHOWN
 RECOMMENDED PCB-HOLE LAY-OUT

P.C.B. HOLE DIM. ACTION PIN
 FOR DETAILS SEE
 APPLICATION SPECIFICATION

THIS DRAWING IS A CONTROLLED DOCUMENT.

DIMENSIONS:	TOLERANCES UNLESS OTHERWISE SPECIFIED:
mm	
Ø-PLG	±
1-PLG	± ±0,2
2-PLG	±
3-PLG	±
4-PLG	±
ANGLES	±
MATERIAL:	FINISH:
-	-

FINISH	MATERIAL	PARTNUMBER	2170348-5
		TE Connectivity	
PRODUCT SPEC 108-19082		Z-PACK 2mm HM TYPE A 110 POS. FEMALE CONNECTOR	
APPLICATION SPEC 114-19029	SIZE A2	CAGE CODE 00779	DRAWING NO 2170348
CUSTOMER DRAWING		SCALE	NTS
SHEET		1	OF 1
REV		A	

X-ON Electronics

Largest Supplier of Electrical and Electronic Components

Click to view similar products for [Hard Metric Connectors](#) category:

Click to view products by [TE Connectivity](#) manufacturer:

Other Similar products are found below :

[10146110-VR5C](#) [6345127-1](#) [646916-9](#) [6469658-1](#) [853016](#) [973108](#) [1-2000713-0](#) [1-2000713-2](#) [1-2000713-3](#) [120646-1](#) [134187](#) [1645343-1](#)
[1645456-1](#) [1645564-3](#) [1645594-1](#) [1645601-1](#) [1934822-1](#) [2000829-2](#) [2000985-2](#) [223085-1](#) [278071110010833](#) [1645179-1](#) [1645245-1](#)
[1645457-1](#) [1645525-1](#) [1645570-1](#) [1645596-1](#) [17-8072-125-000-863+](#) [1857470-1](#) [1934275-1](#) [1934289-1](#) [1934759-1](#) [2000670-2](#) [2000673-1](#)
[2000843-2](#) [2000984-2](#) [204975](#) [2170292-2](#) [2-536642-6](#) [3-100668-0](#) [3-106015-1](#) [352188-1](#) [352629-1](#) [3-646346-0](#) [3-646356-0](#) [3-646457-0](#) [3-646529-0](#) [3-646530-0](#) [5120823-1](#) [5120899-1](#)