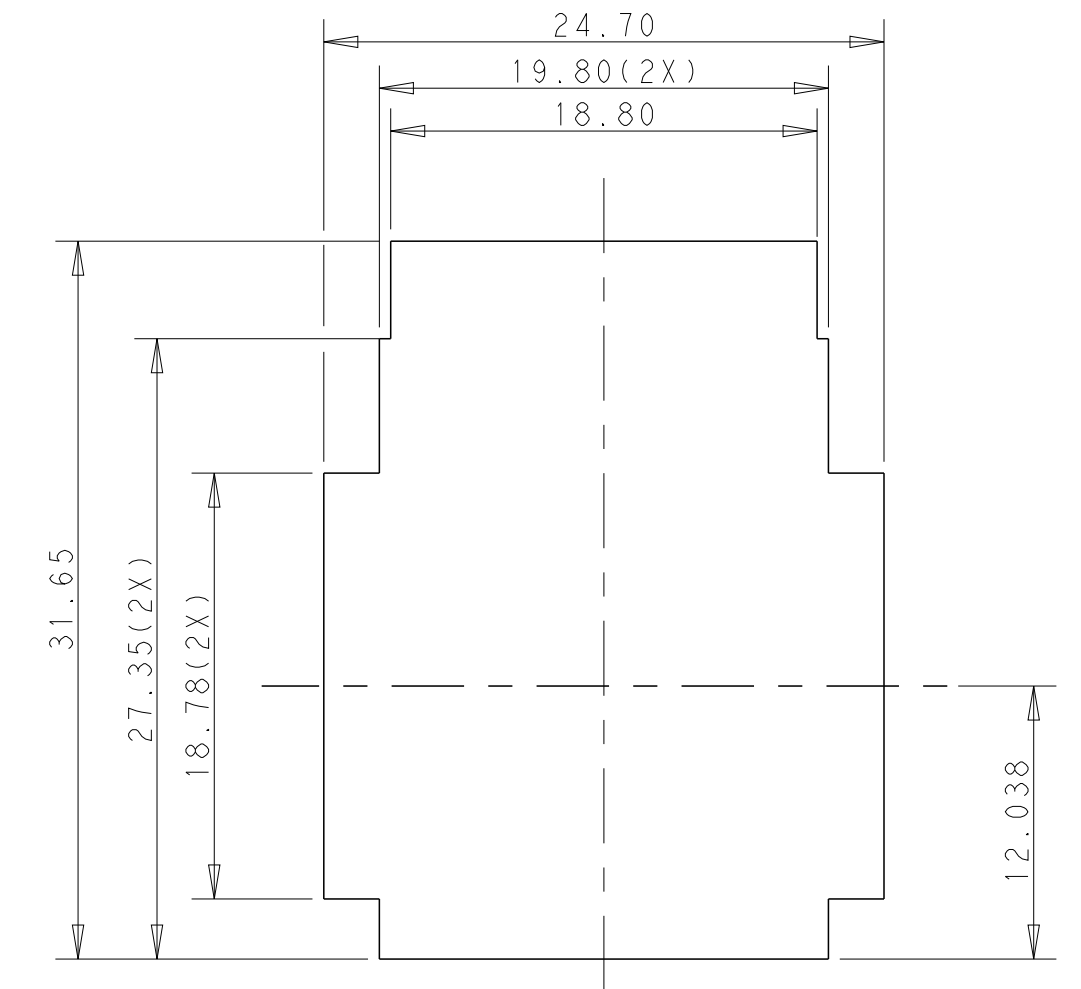
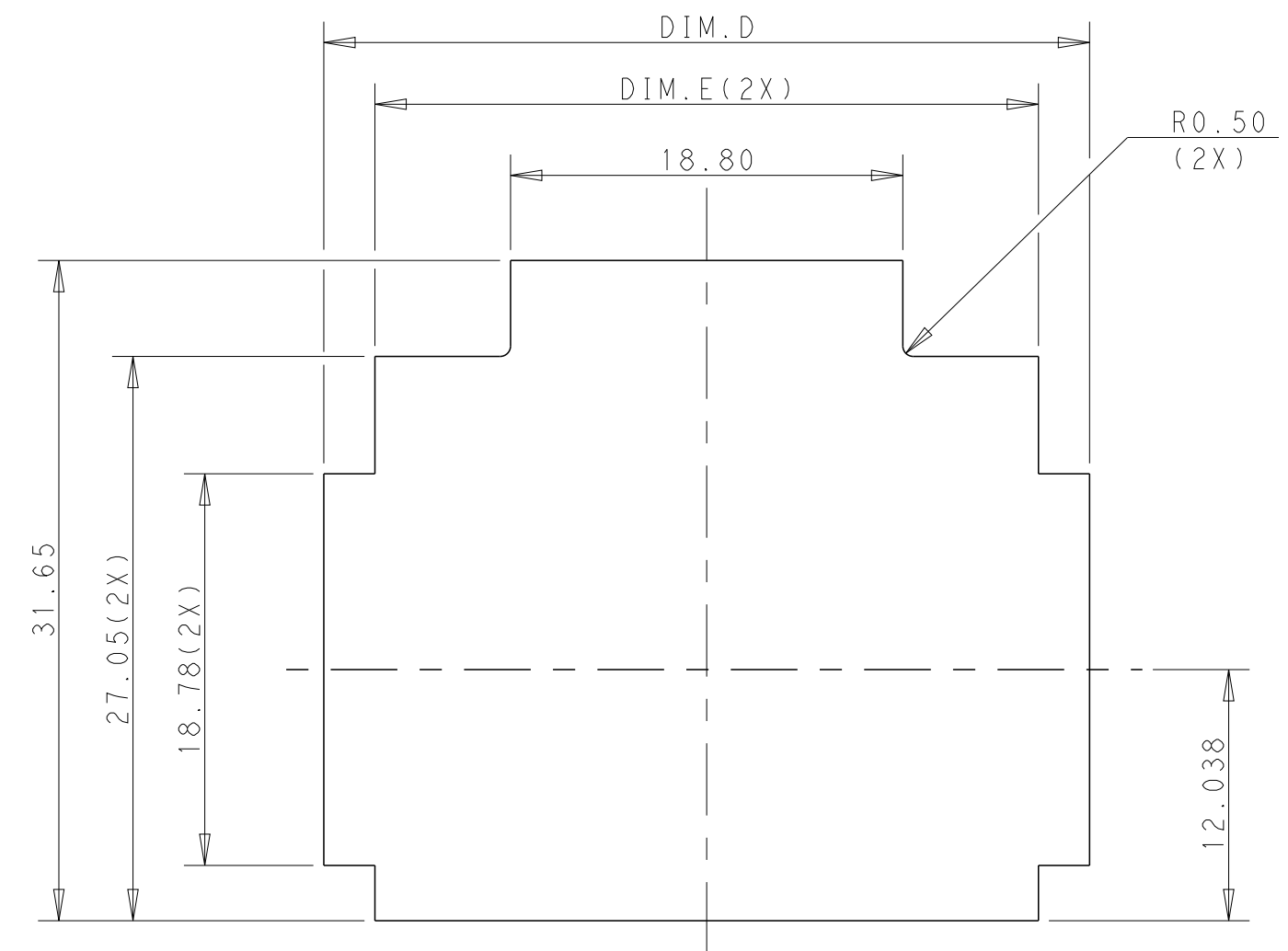
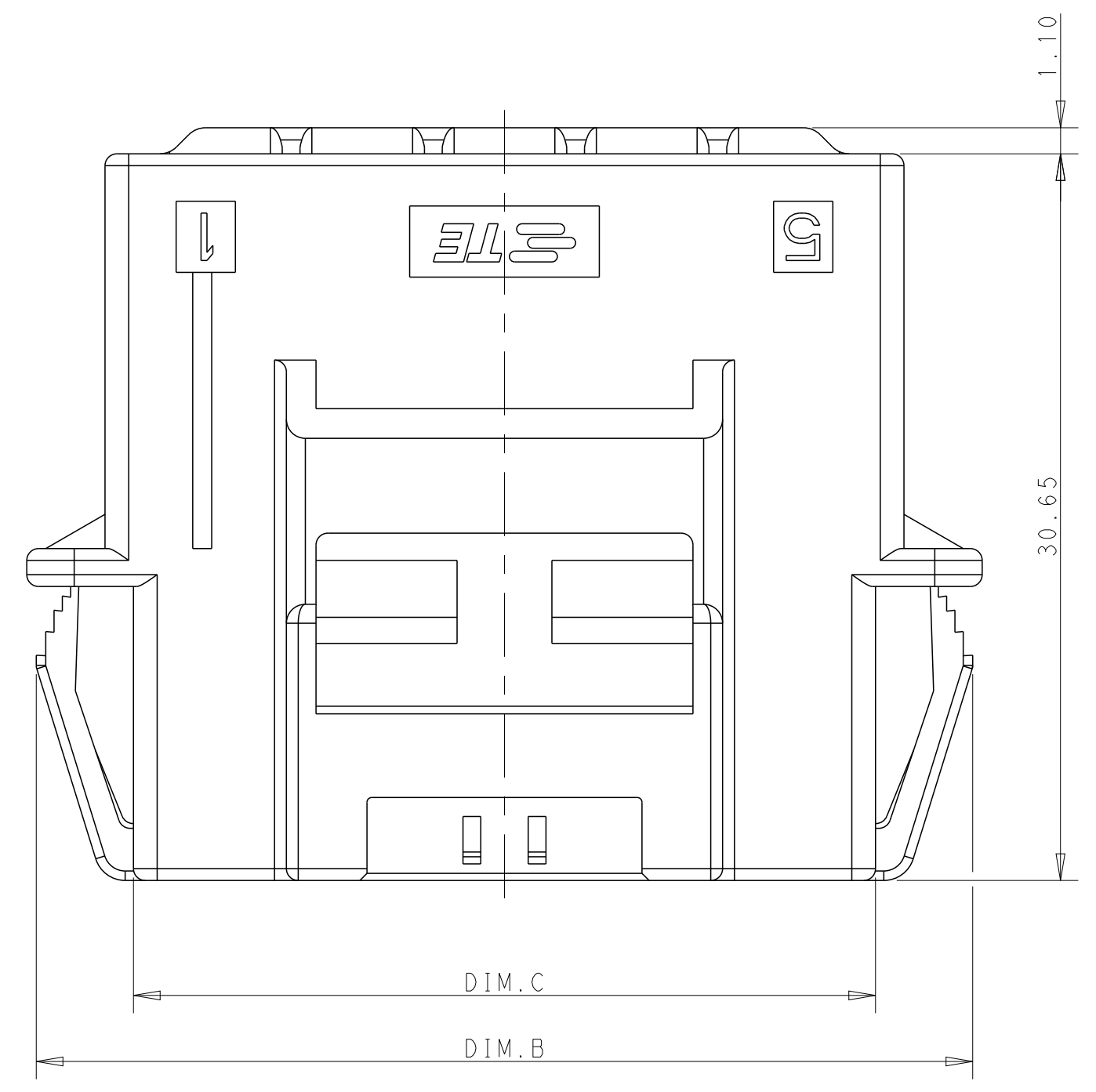
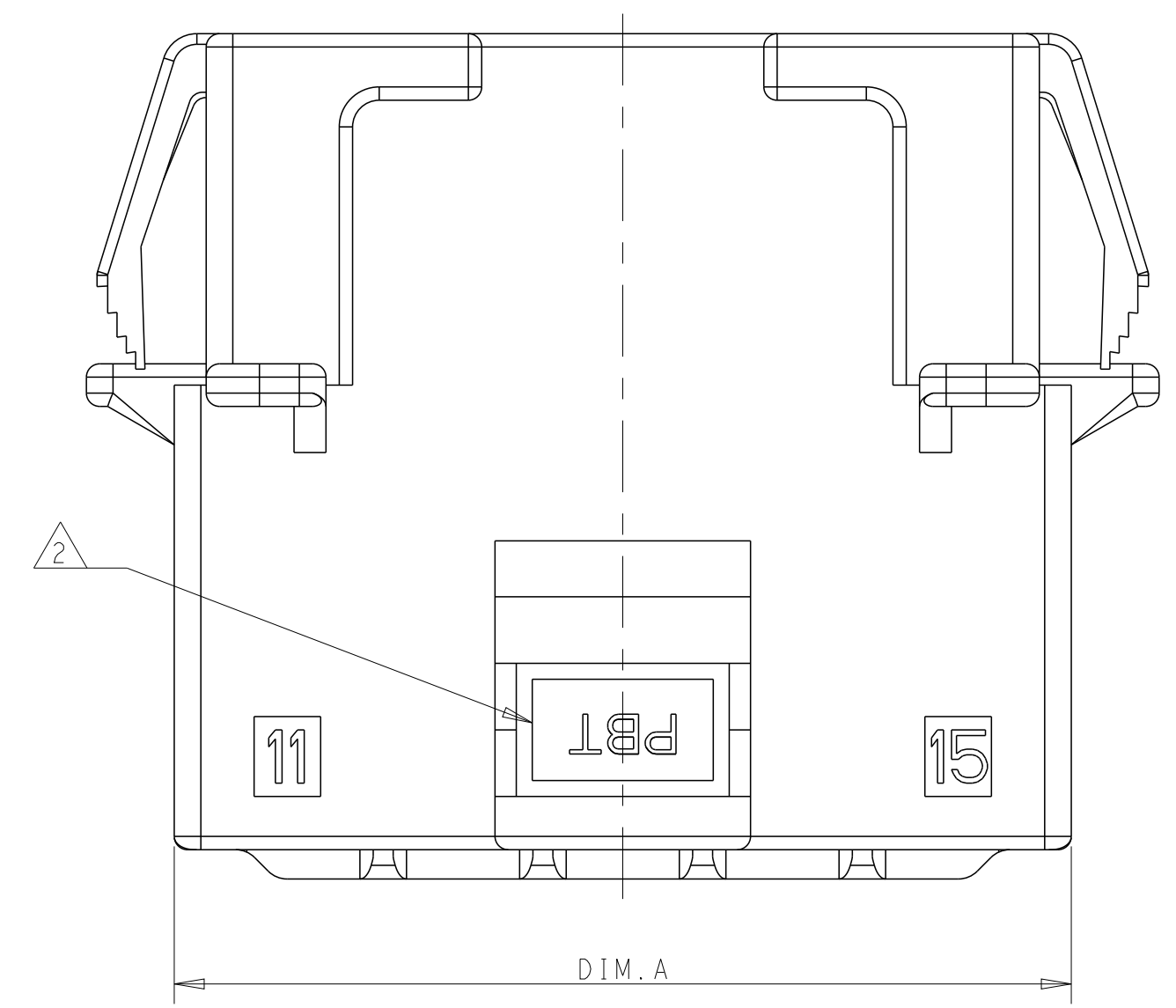
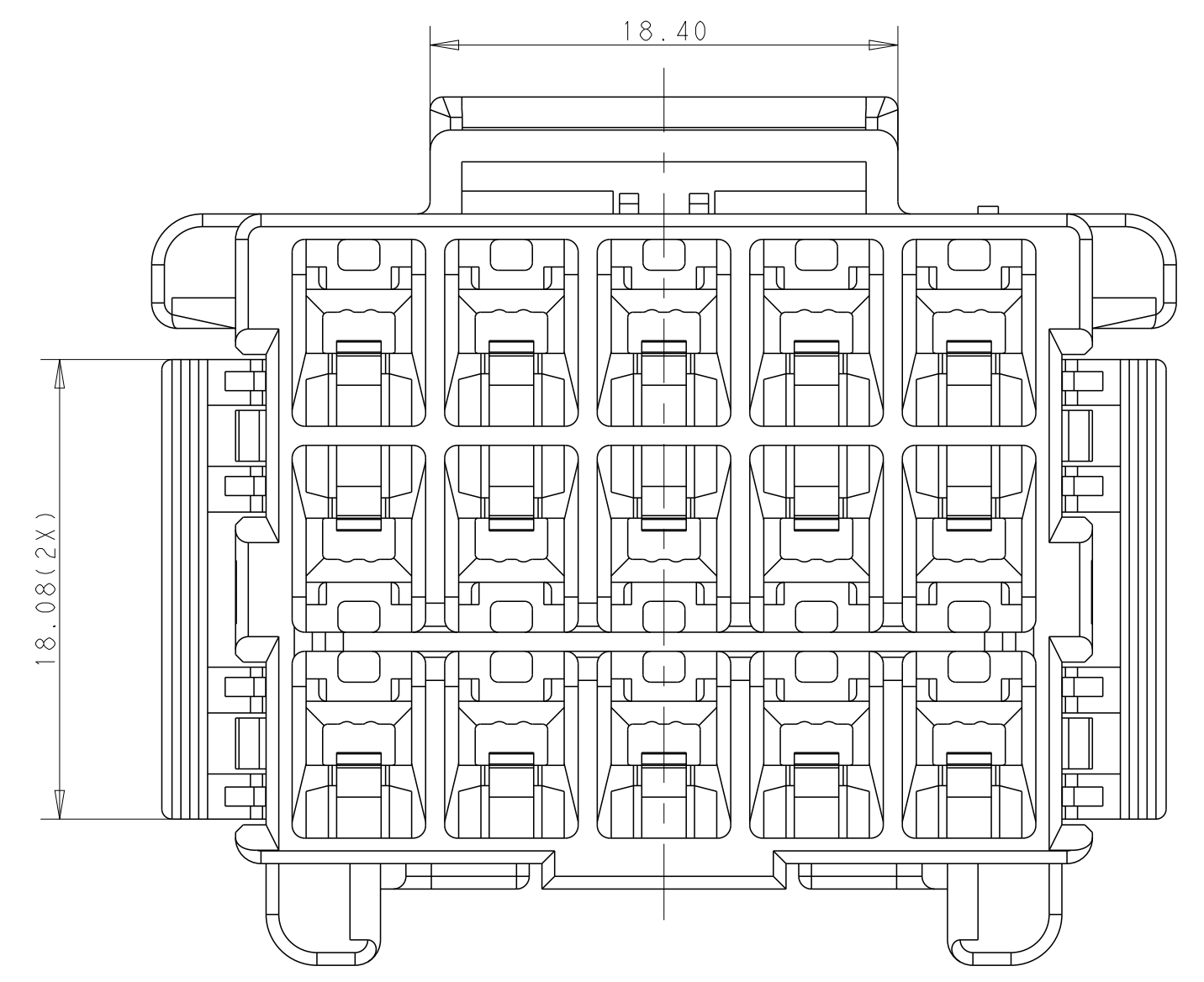
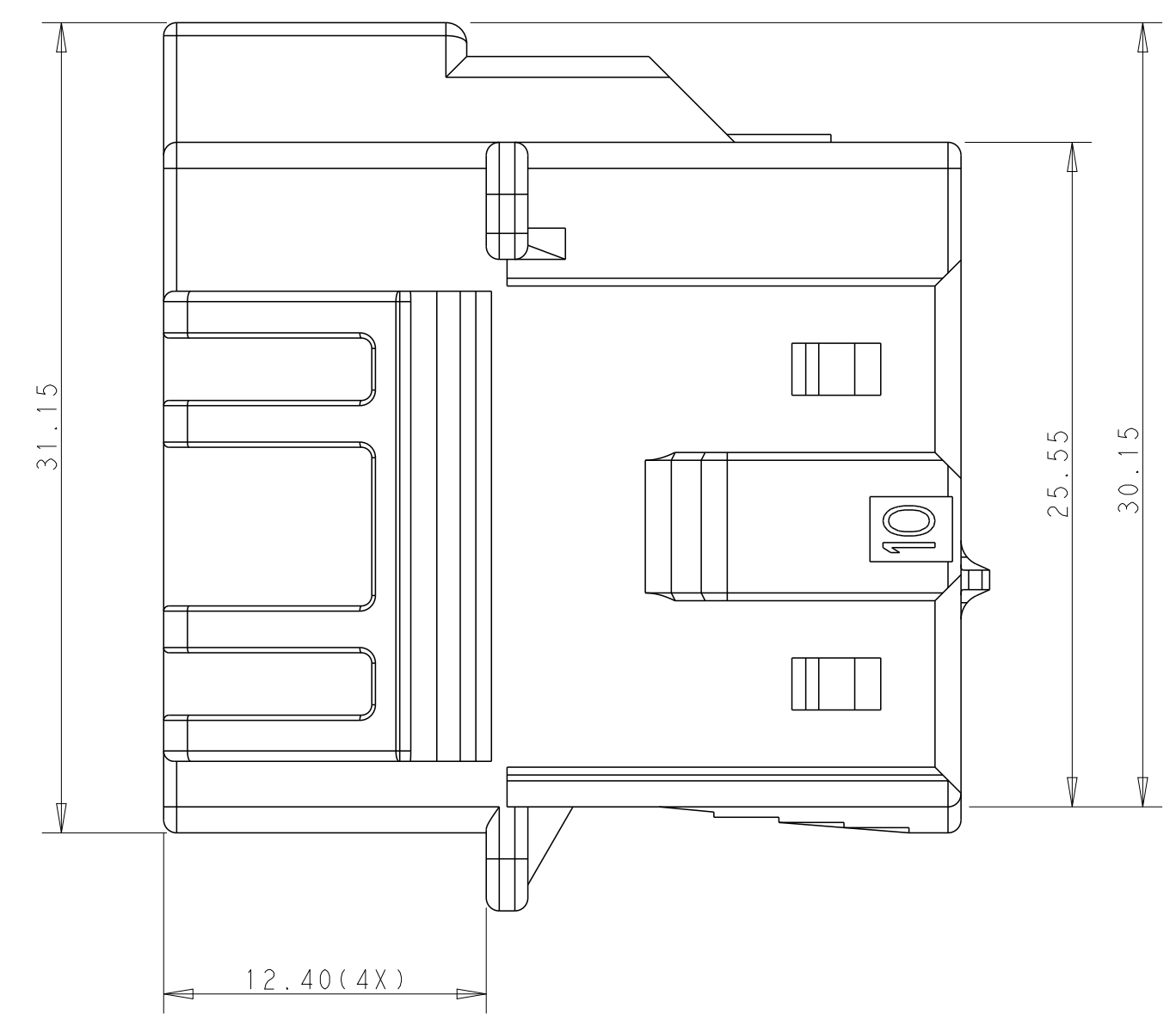
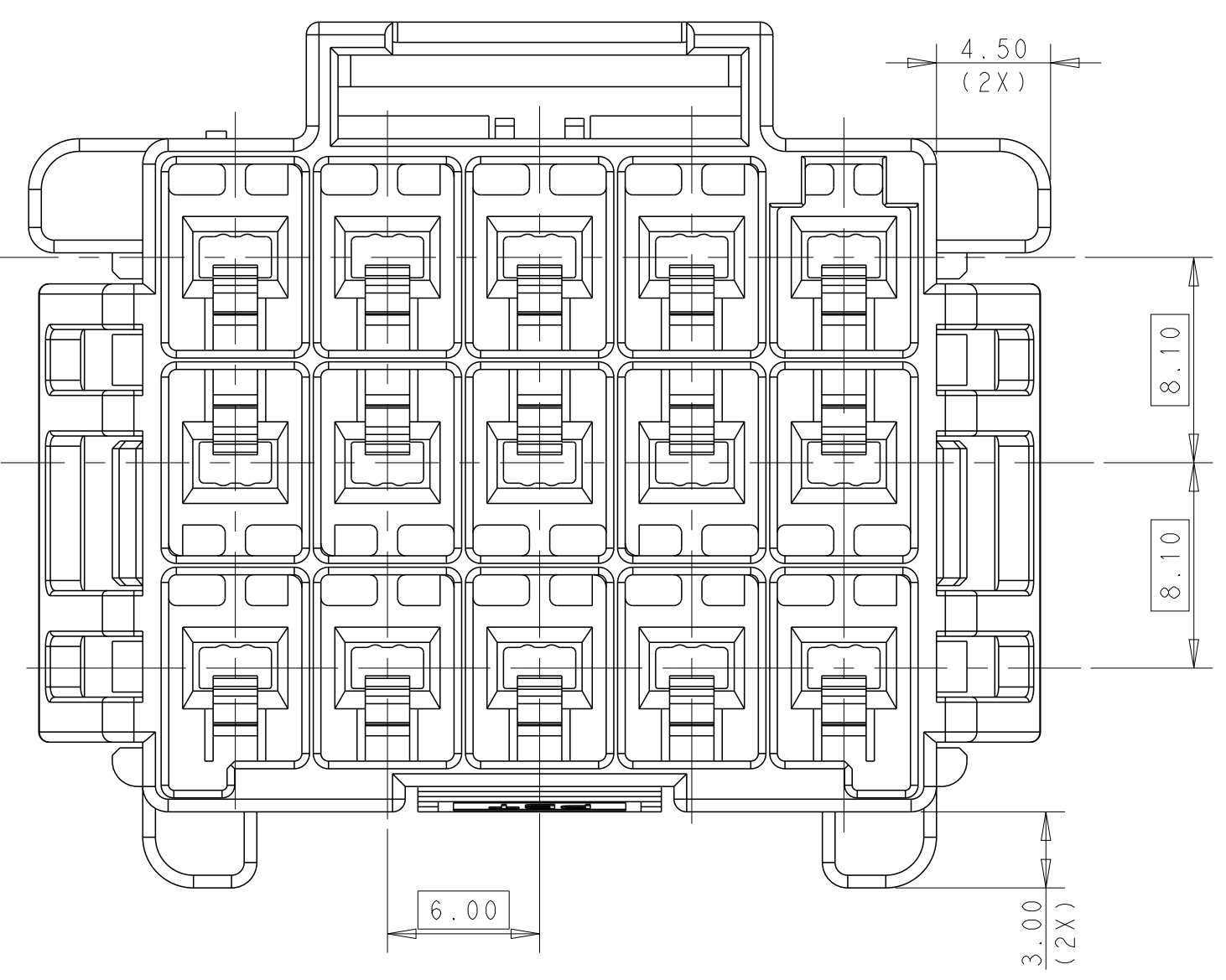


REVISIONS				
P	LTN	DESCRIPTION	DATE	APVD
C		REVISED PER ECR-16-003314	16JUL2016	BW GJ



RECOMMENDED PANEL OPENING DIMENSIONS
 FOR CAP HOUSING 3*5 AND 3*4 POSITIONS
 (TOLERANCE: ±0.15mm)

RECOMMENDED PANEL OPENING DIMENSIONS
 FOR CAP HOUSING 3*3 POSITION
 (TOLERANCE: ±0.15mm)



- 1 MATERIAL:
 LEVEL 1:PBT, STANDARD TEMPERATURE 105°C
 KEY A:NATURAL; KEY B:PURPLE; KEY C:BLUE; KEY D:YELLOW

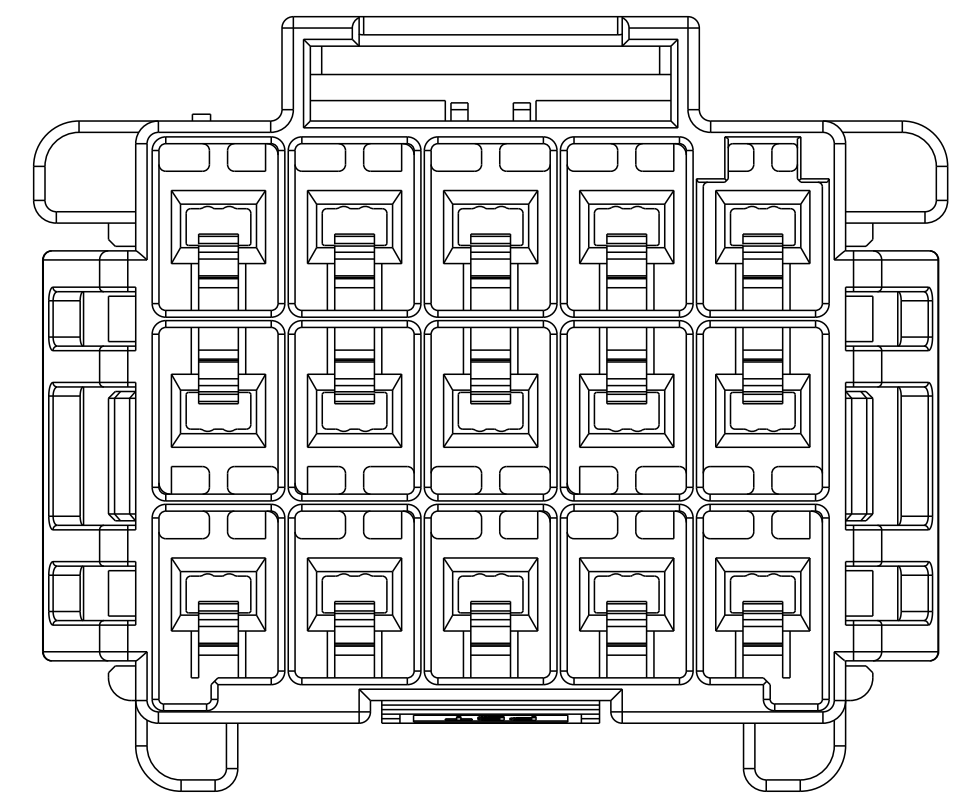
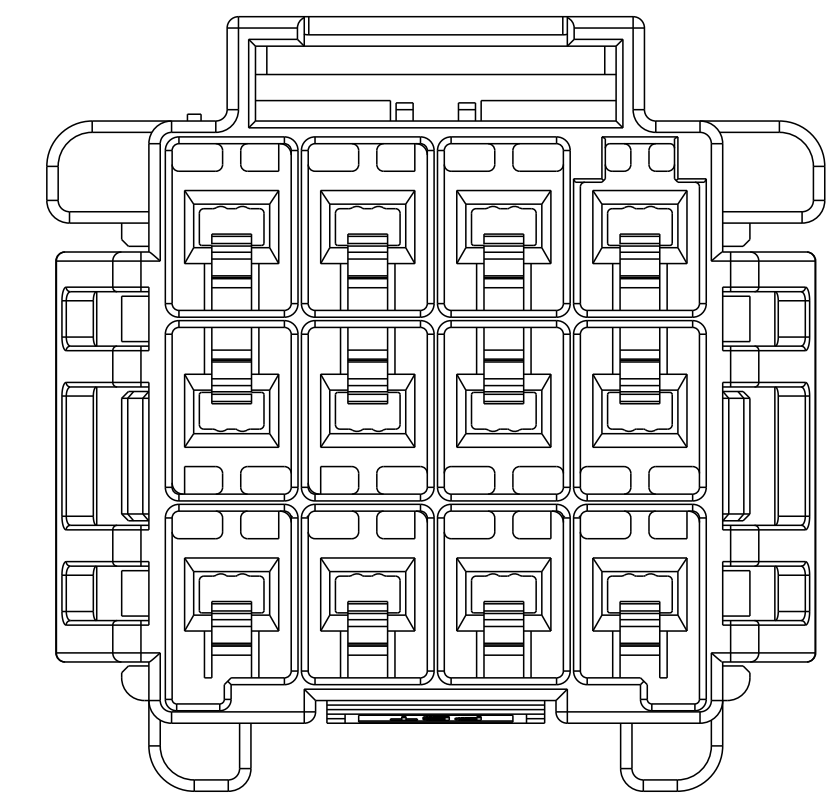
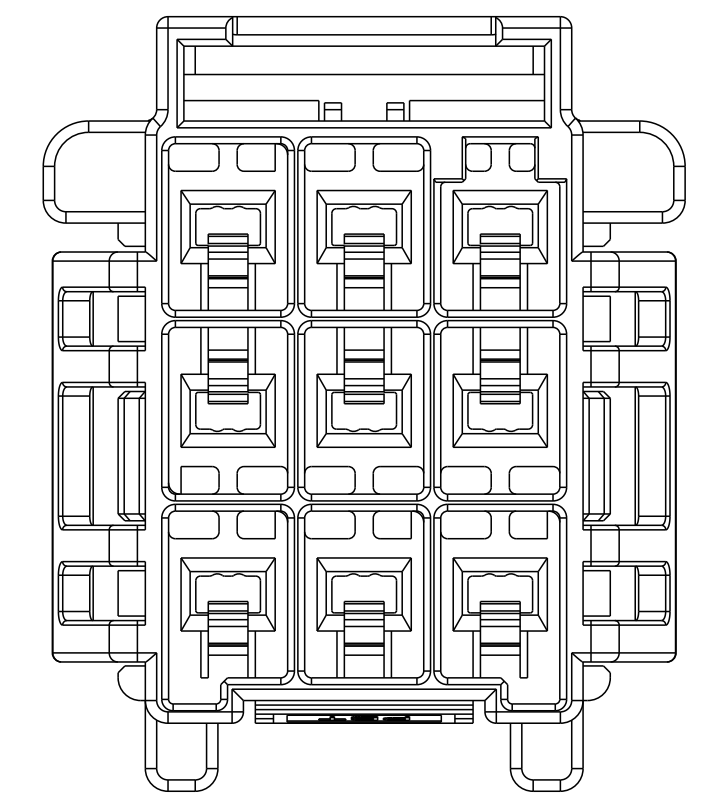
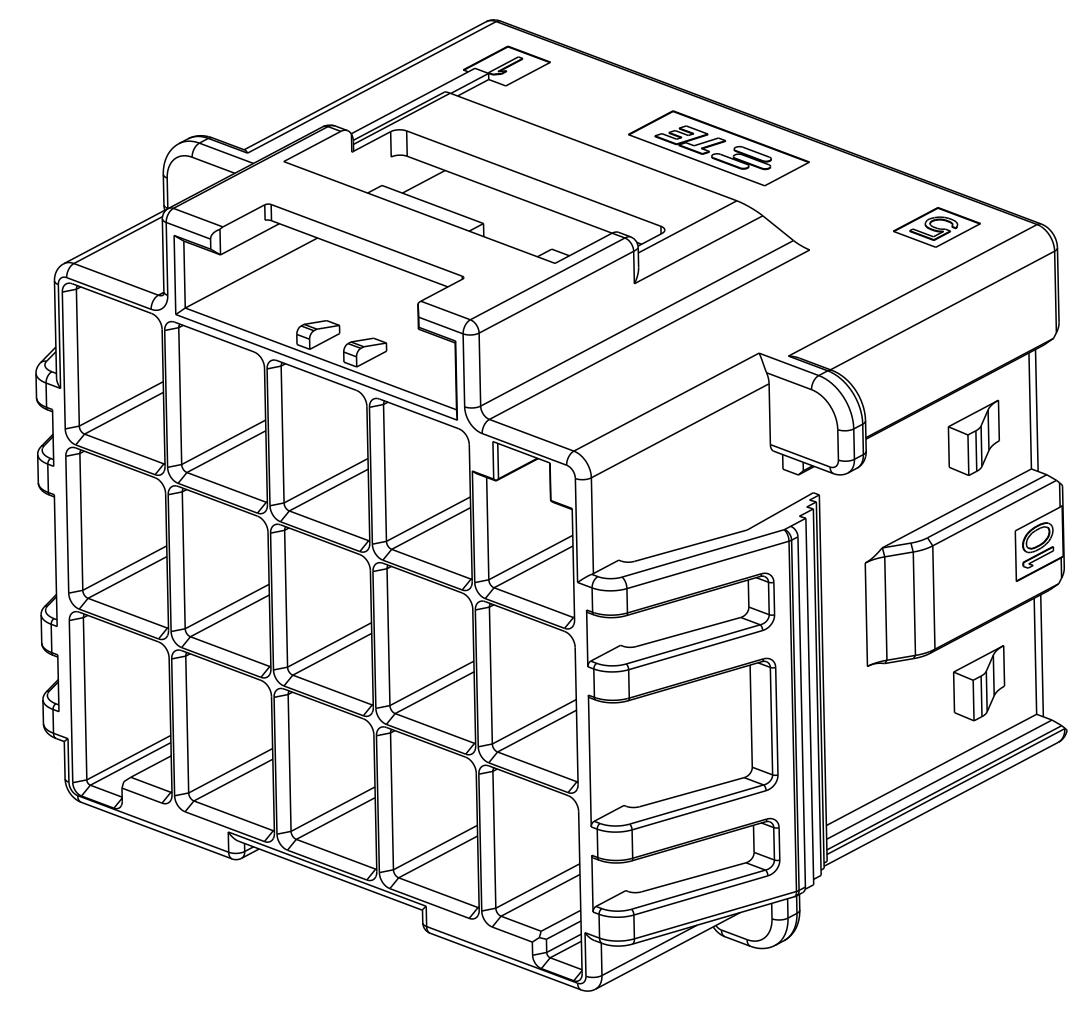
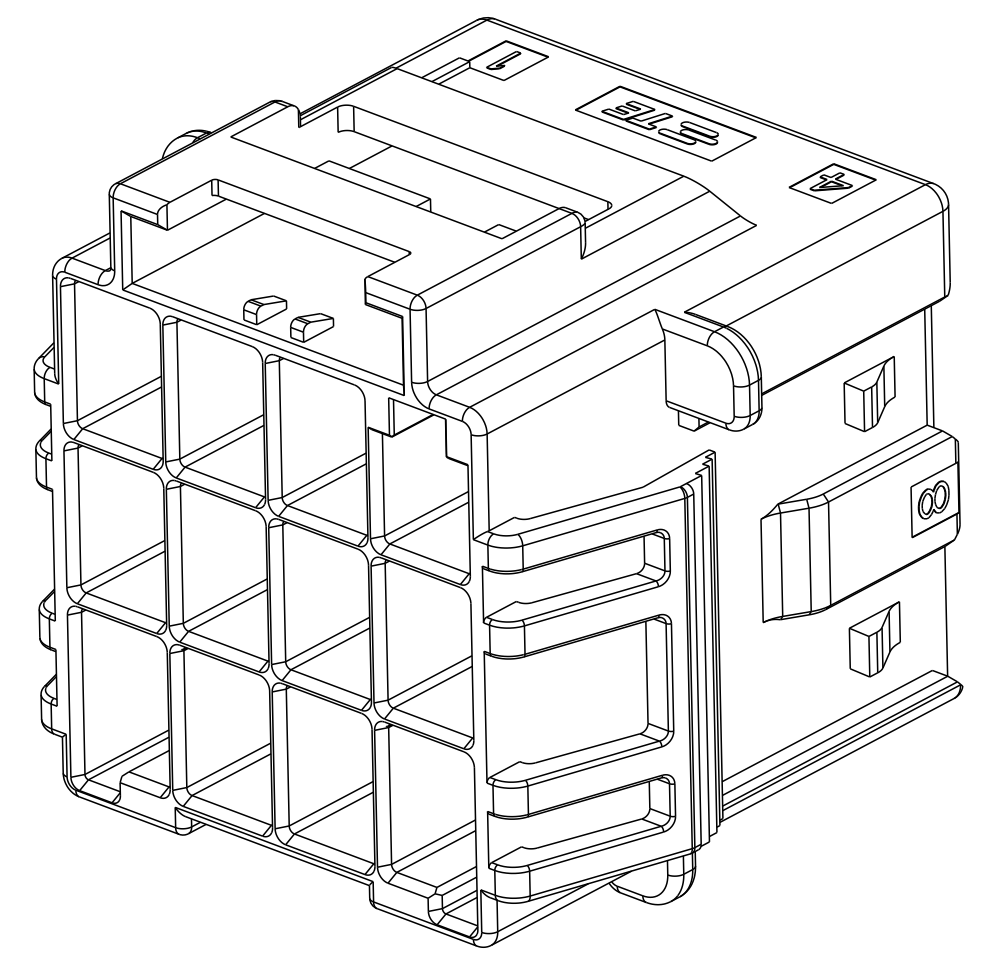
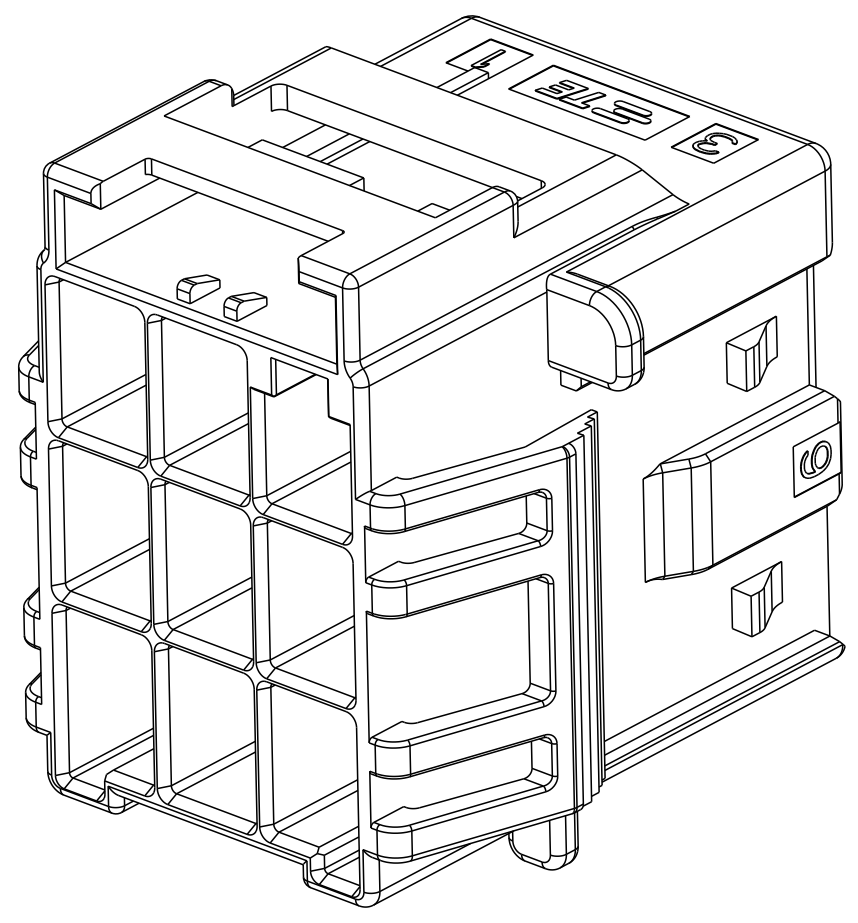
 LEVEL 2:NYLON, HIGH TEMPERATURE 150°C
 KEY A:LIGHT GREY; KEY B:RED; KEY C:BLACK; KEY D:NATURAL
- 2 MATERIAL MARK:
 LEVEL 1:PBT, LEVEL 2:HDT
- 3 APPLICABLE CONTACT P/N
 TAB CONTACT:1971238/1971780/82/84/86/88-*,2238067-*
- 4 MATING CONN, P/N
 PLUG HSG:*-1971876-*,
 TPA DOUBLE ROW:*-1971778-*,SINGLE ROW:*-1971777-*
- 5 RECOMMENDED PANEL THICKNESS:1.0-2.0mm
- 6 THIS PRODUCT HAS NOT COMPLETED VALIDATION TESTING

POS	A	B	C	D	E
3*5	33.70	39.5	31.30	36.70	31.80
3*4	27.70	33.5	25.30	30.70	25.80
3*3	21.70	27.5	19.30		

THIS DRAWING IS A CONTROLLED DOCUMENT.

DIMENSIONS:	TOLERANCES UNLESS OTHERWISE SPECIFIED:	OWN TOMMY WU 06JUL2012	TE Connectivity NAME: CAP HOUSING, PANEL MOUNT, TRIPLE ROW POWER TRIPLE LOCK
mm	0 PLC ±0.35	CHK HAPYE WU 06JUL2012	
	1 PLC ±0.25	APVD YUHONG MAO 06JUL2012	
	2 PLC ±0.25	PRODUCT SPEC	
	3 PLC ±0.25	APPLICATION SPEC	SIZE CAGE CODE DRAWING NO
	4 PLC ±0.25	114-106118	A100779C=1971875
	ANGLES ±0.5	WEIGHT	RESTRICTED TO
	FINISH	Customer Drawing	SCALE SHEET 1 OF 2 REV C

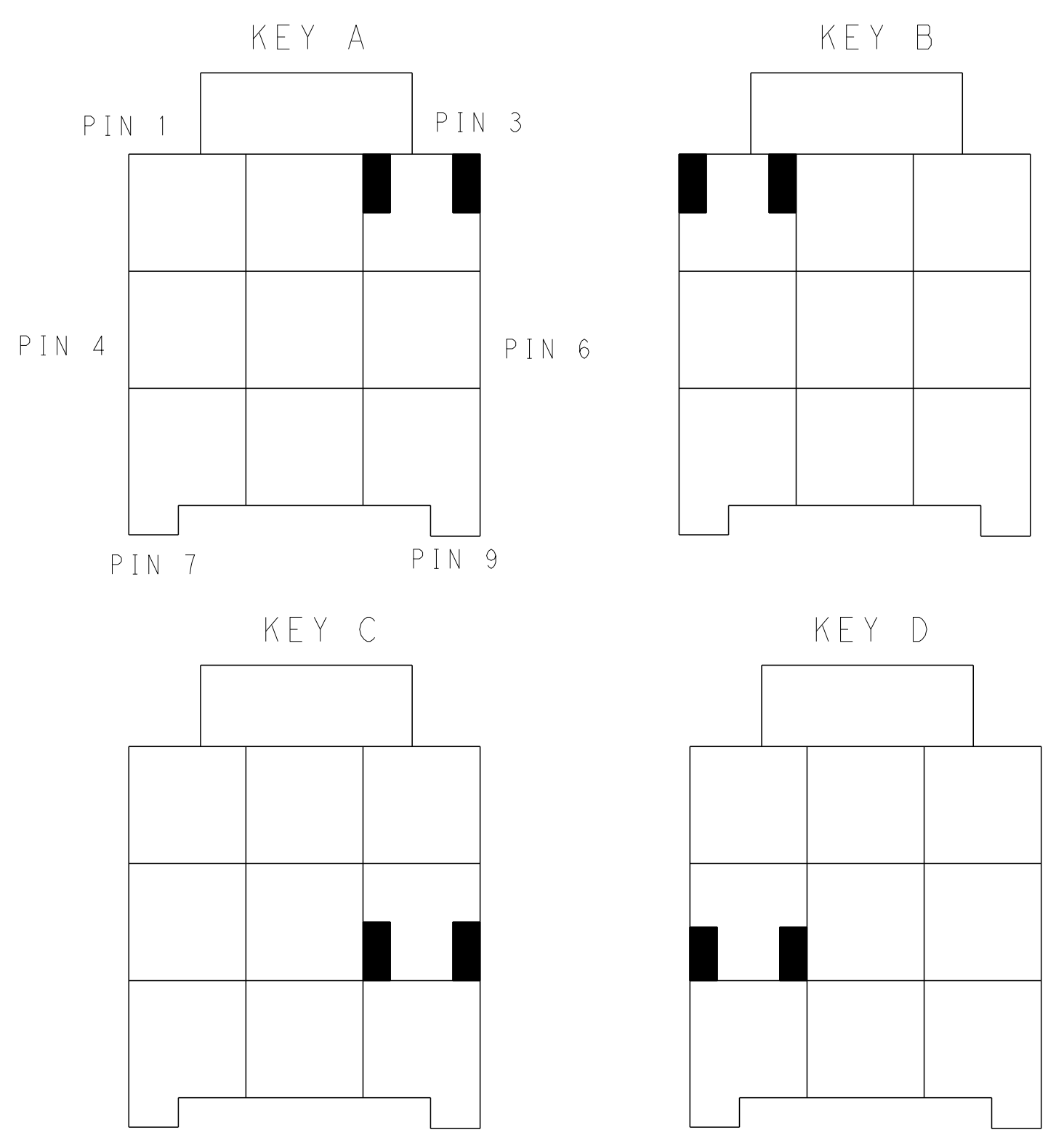
REVISIONS				
P.	LTN.	DESCRIPTION	DATE	APVD.
-	-	SEE SHEET 1	-	-



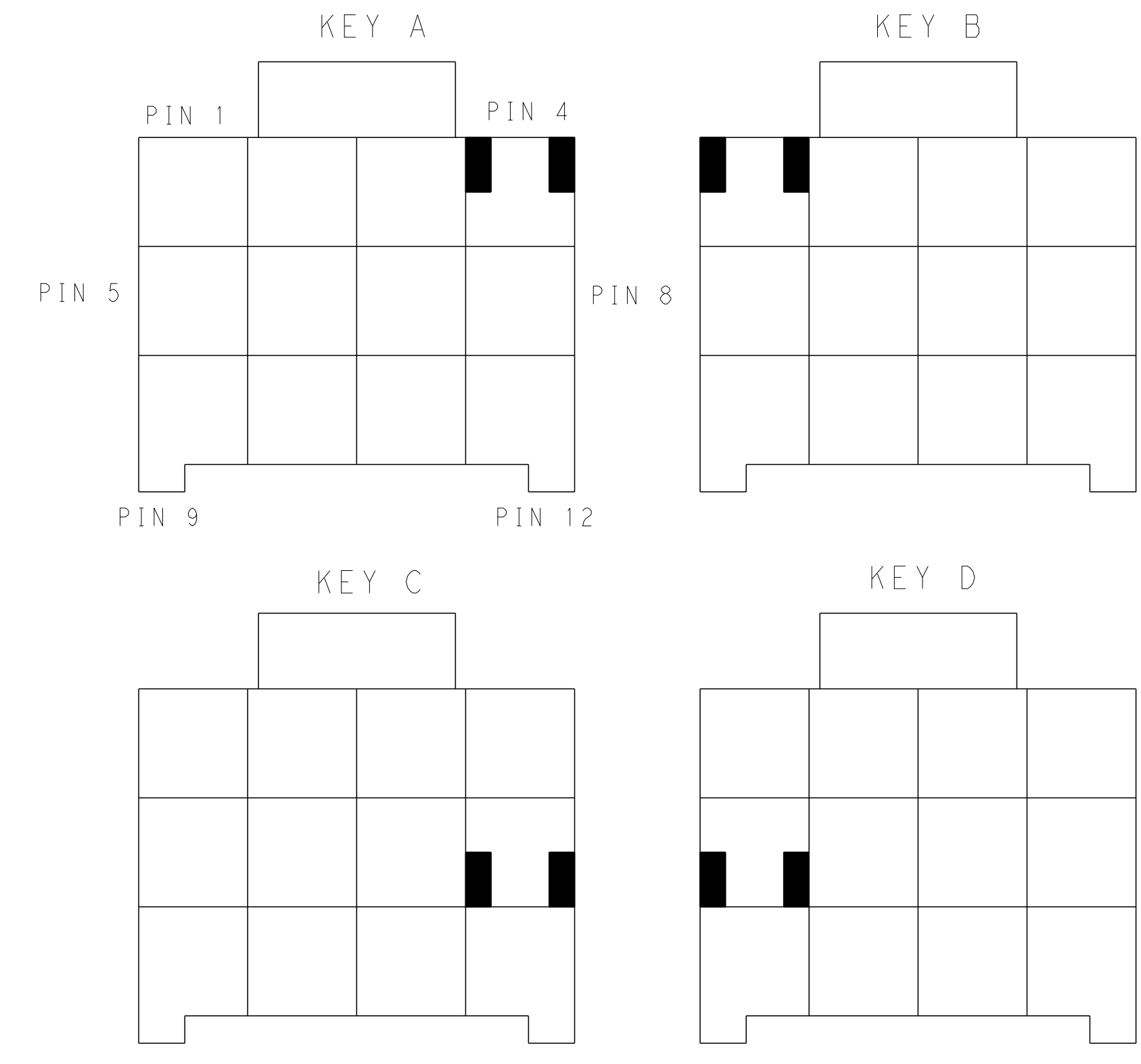
3*3 POSITIONS

3*4 POSITIONS

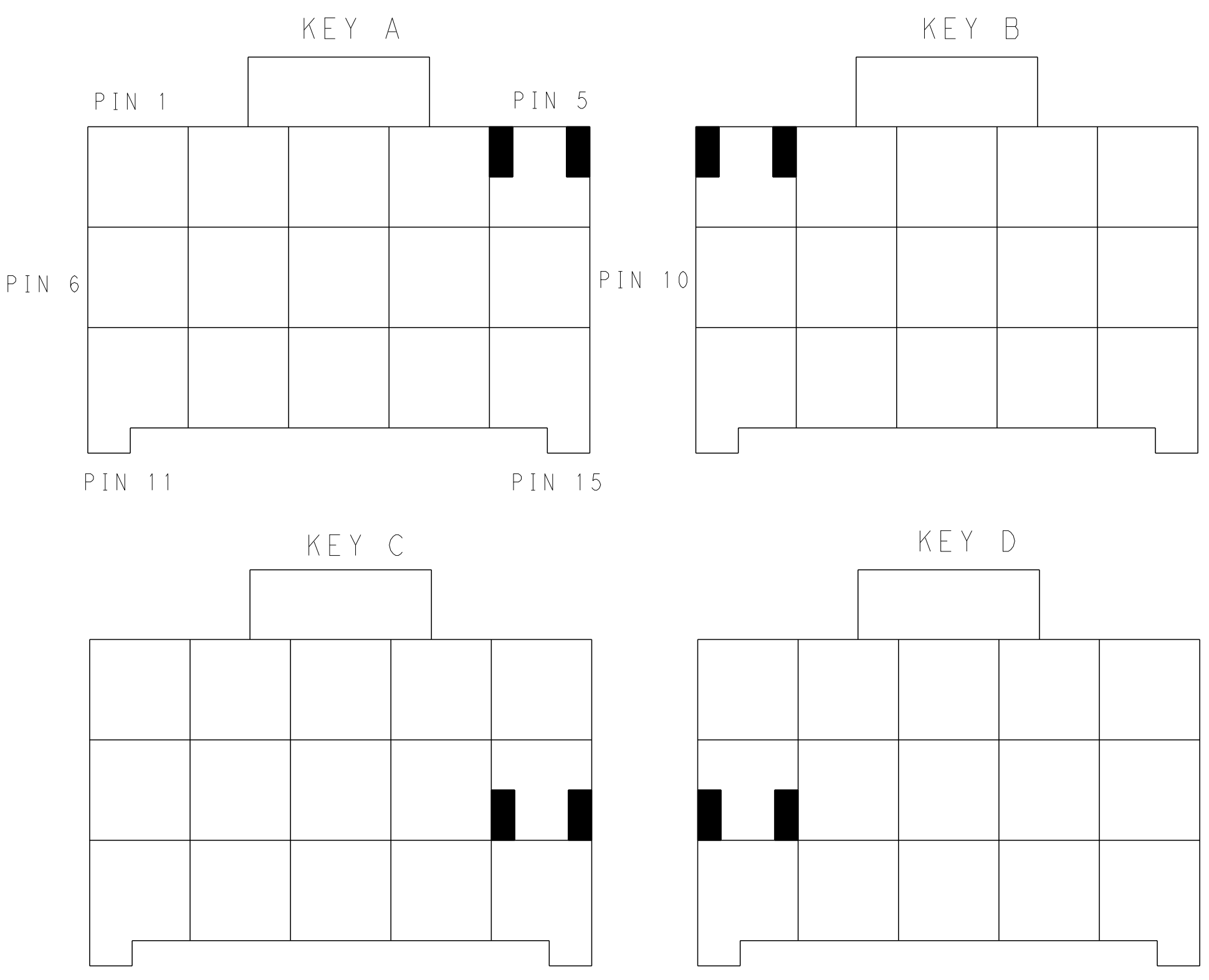
3*5 POSITIONS



KEYING FOR 3*3 POS.



KEYING FOR 3*4 POS.



KEYING FOR 3*5 POS.

POS.	MATERIAL	KEY	P/N
3*5	LEVEL 1	KEY A	1-1971875-7
		KEY B	2-1971875-7
		KEY C	3-1971875-7
		KEY D	4-1971875-7
3*5	LEVEL 2	KEY A	5-1971875-7
		KEY B	6-1971875-7
		KEY C	7-1971875-7
		KEY D	8-1971875-7
3*4	LEVEL 1	KEY A	1-1971875-4
		KEY B	2-1971875-4
		KEY C	3-1971875-4
		KEY D	4-1971875-4
3*4	LEVEL 2	KEY A	5-1971875-4
		KEY B	6-1971875-4
		KEY C	7-1971875-4
		KEY D	8-1971875-4
3*3	LEVEL 1	KEY A	1-1971875-3
		KEY B	2-1971875-3
		KEY C	3-1971875-3
		KEY D	4-1971875-3
3*3	LEVEL 2	KEY A	5-1971875-3
		KEY B	6-1971875-3
		KEY C	7-1971875-3
		KEY D	8-1971875-3

THIS DRAWING IS A CONTROLLED DOCUMENT.

OWNER: TOMMY WU 06JUL2012
 CHG: HAPYE WU 06JUL2012
 APVD: YUHONG MAO 06JUL2012

TE Connectivity

NAME: CAP HOUSING, PANEL MOUNT, TRIPLE ROW POWER TRIPLE LOCK

SIZE: A1 CAGE CODE: 100779 DRAWING NO: 1971875

RESTRICTED TO: Customer Drawing

SCALE: SHEET 2 OF 2 REV C

4805 (3/13)

X-ON Electronics

Largest Supplier of Electrical and Electronic Components

Click to view similar products for [Heavy Duty Power Connectors](#) category:

Click to view products by [TE Connectivity](#) manufacturer:

Other Similar products are found below :

[1424439](#) [1424438](#) [09330062652](#) [2-8675P1](#) [605601-1](#) [6340G1](#) [6341G1](#) [6360G1](#) [6373G1](#) [6374g2](#) [6396G1](#) [647757-1](#) [66394-4](#) [6643411-1](#)
[6646058-2](#) [6646137-1](#) [6646138-1](#) [6646348-1](#) [6646479-1](#) [6646608-1](#) [6646786-1](#) [6646940-1](#) [6651091-1](#) [6651525-1](#) [6651529-1](#) [6651778-1](#)
[6651788-1](#) [696465-1](#) [696475-1](#) [73000005059](#) [73000005349](#) [73000005642](#) [73080255059](#) [73080965046](#) [765-15-0080A](#) [765-16-0080B](#)
[789.700-44](#) [789.700-54](#) [80-1010](#) [80-9](#) [827381-1](#) [829992-1](#) [902-77-02113](#) [PL00U-301-10D10](#) [PM103MOOLOO](#) [PM16S1620S32-50](#)
[PM212MOOLOO](#) [PM309FOOLOO](#) [PM324FOOLCH](#) [PMHPAF11S03](#)