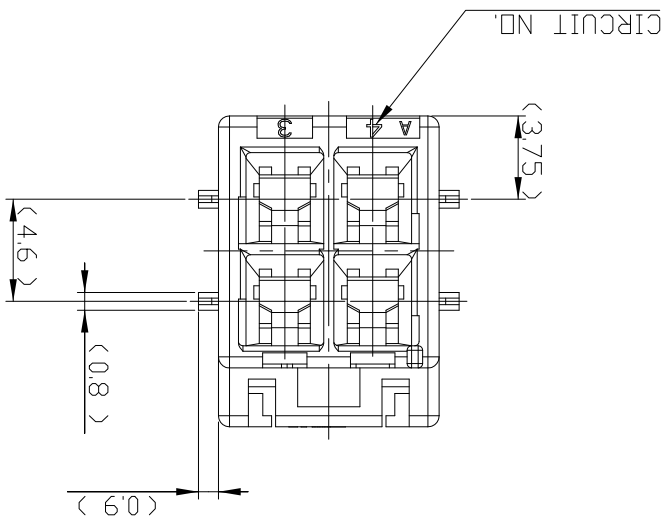
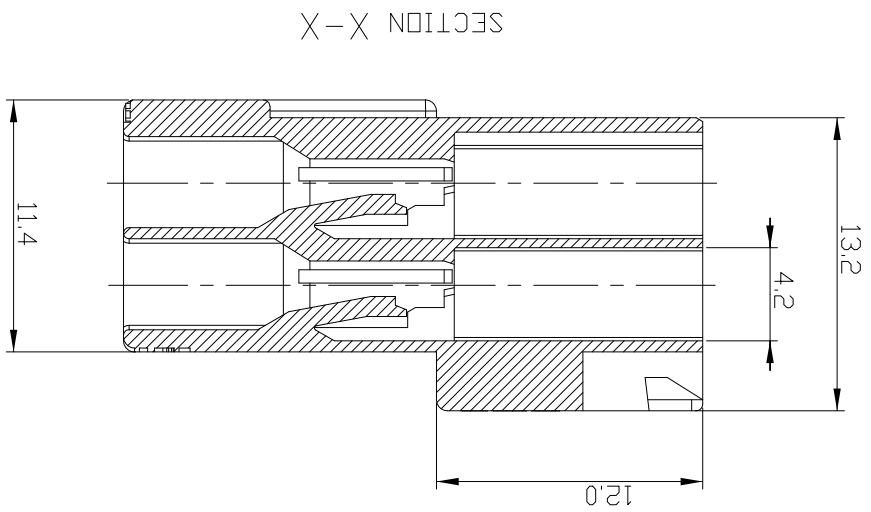
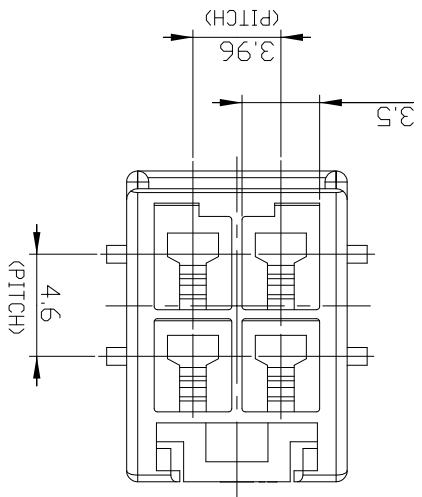
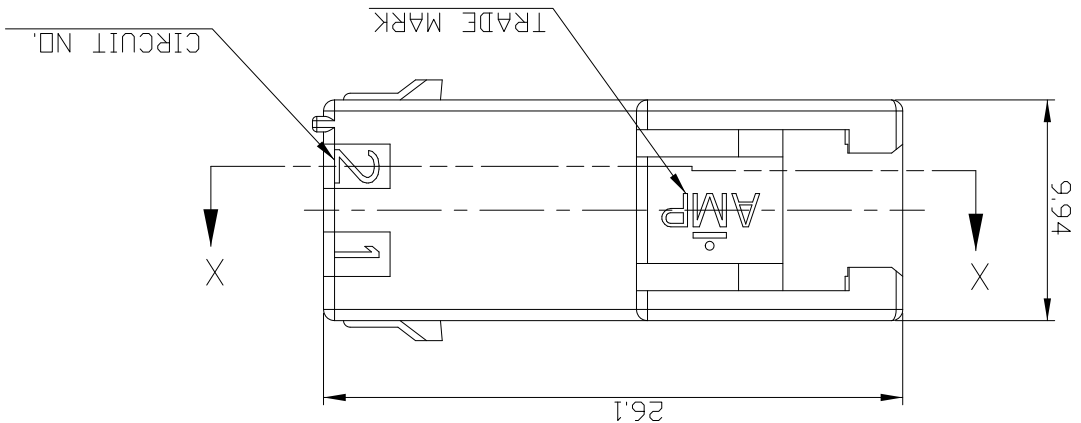


P/N	368587-1	MATERIAL	PA66 UL94V-2	COLOR	NATURAL
	368587-2				RED
368587-4	YELLOW	PA66 UL94V-0	NATURAL	BLUE	NATURAL
368587-6	RED				
1-368587-1	YELLOW	DIMENSIONS:	MM	TOLERANCES UNLESS OTHERWISE SPECIFIED	0 PLC ±
1-368587-2	BLUE				1 PLC ±
1-368587-4	RED	FINISH	-	MATERIAL	2 PLC ±
1-368587-6	NATURAL				3 PLC ±
THIS DRAWING IS A CONTROLLED DOCUMENT FOR TYCO ELECTRONICS CORPORATION IT IS SUBJECT TO CHANGE AND THE CONTROLLING ENGINEERING ORGANIZATION SHOULD BE CONTACTED FOR THE LATEST REVISION.					
DWN SC KIM					
CHK BW KANG					
APVD JK SONG					
PRODUCT SPEC					
APPLICATION SPEC					
108-61106					
WEIGHT					
-					
CUSTOMER DRAWING					
SCALE N/A					
SHEET 1 OF 1					
REV A					



NOTE:  
 1. APPLICABLE CONTACT P/N  
 -TAB CONTACT: 177917-□(AWG#16-#20)  
 177916-□(AWG#22-#26)  
 2. MATING CONN. P/N  
 -PLUG HSG: □-368575-□  
 -REC CONTACT: 177915-□(AWG#16-#20)  
 177914-□(AWG#22-#26)  
 3. APPLICABLE DOUBLE LOCK PLATE: □-368590-1  
 4. GENERAL TOLERANCES: ±0.3  
 5. ACCORDING TO IEC 60335-1 4.2 EDITION  
 -PART MEETS GWI 750° & 850°C.  
 -MATERIAL MEETS BALL PRESSURE TESTING AT 125°C.  
 -MATERIAL HAS CTI VALUE OF 250V.  
 6. MIN. THICKNESS OF INSULATING MATERIAL  
 BETWEEN ADJACENT POLES: 0.35mm



REV	DESCRIPTION	DATE	DWN	APVD
A	RELEASED	02 MAR 09	SC	JK

## X-ON Electronics

Largest Supplier of Electrical and Electronic Components

*Click to view similar products for [Headers & Wire Housings](#) category:*

*Click to view products by [TE Connectivity](#) manufacturer:*

Other Similar products are found below :

[95000-104TRLF](#) [10135584-644402LF](#) [DF62W-EP2022PCA](#) [95000-106TRLF](#) [DF62W-2022SCA](#) [DF62W-EP2022PC](#) [2203348](#) [DF62W-2022SC](#) [1084018](#) [1029039](#) [1084017](#) [802-10-012-10-002000](#) [1112640](#) [1112639](#) [000-34000](#) [0009482033](#) [0009507031](#) [57102-S06-03LF](#) [57202-S52-04LF](#) [PCN6-15S-2.5E](#) [0039019024](#) [58102-G61-06LF](#) [582553-1](#) [0009485154](#) [0009508121](#) [0022285053](#) [0050291907](#) [018731A](#) [LY20-4P-DT1-P1E-BR](#) [02.125.8002.8](#) [60101931](#) [60598-1 \(Cut Strip\)](#) [M1625-3R/100](#) [61062-3](#) [61082-181009](#) [636-1427](#) [638009-1](#) [641938-9](#) [641991-4](#) [644168-1](#) [647662-1](#) [65039-019ELF](#) [65817-002LF](#) [65817-015LF](#) [65863-015LF](#) [66207-023LF](#) [67016-026LF](#) [67046-001LF](#) [67095-007LF](#) [67230-005LF](#)