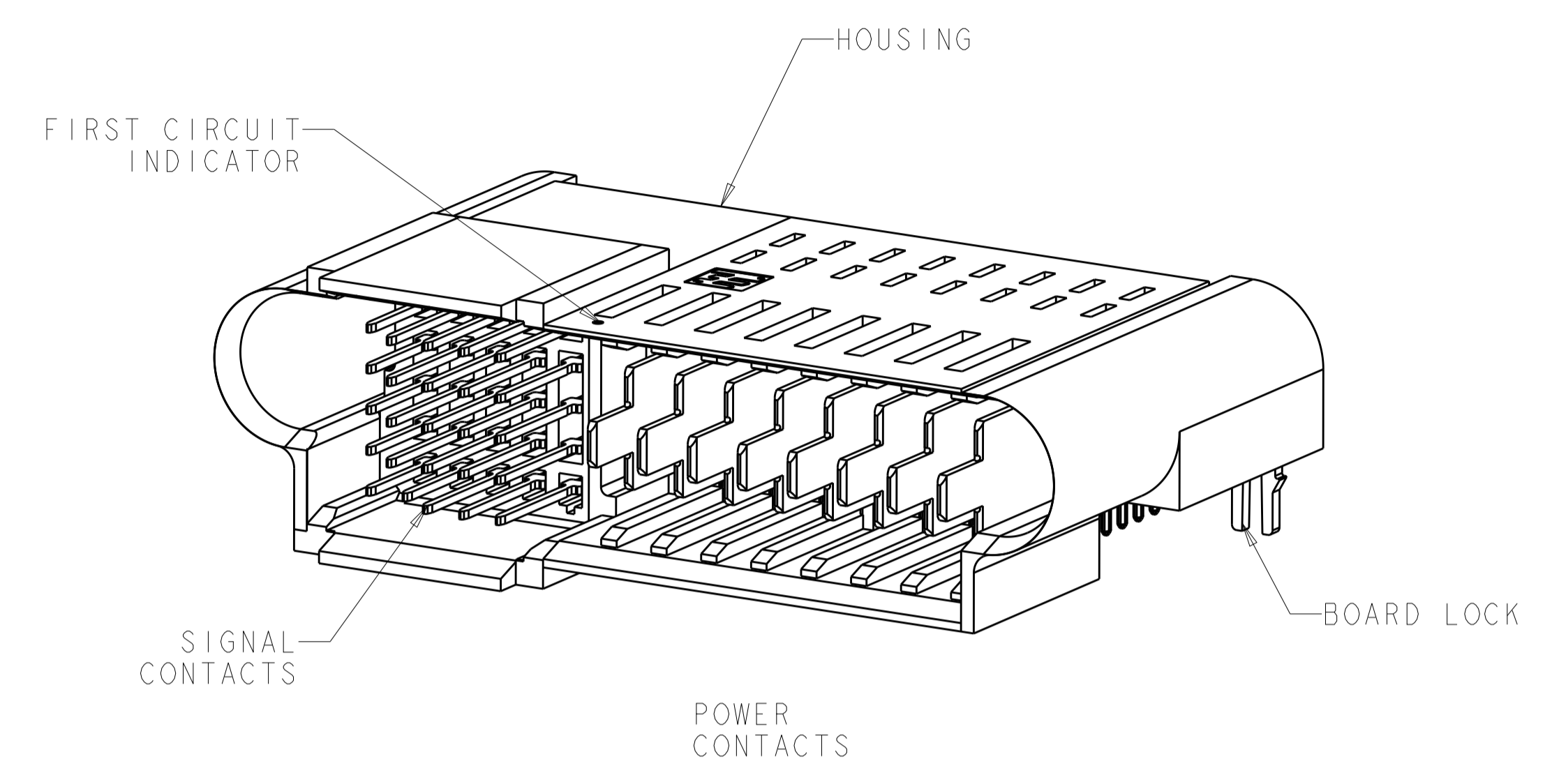
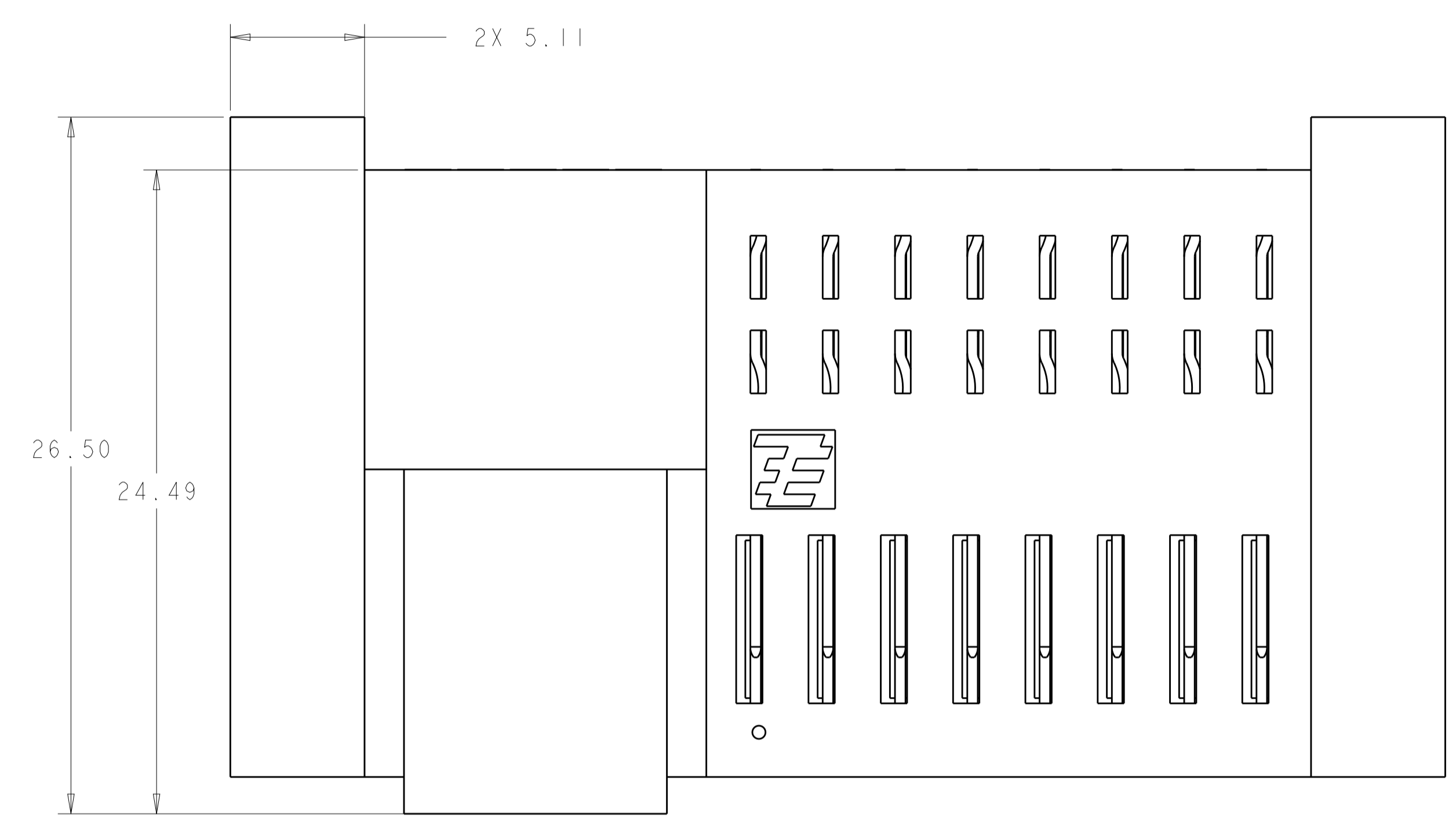
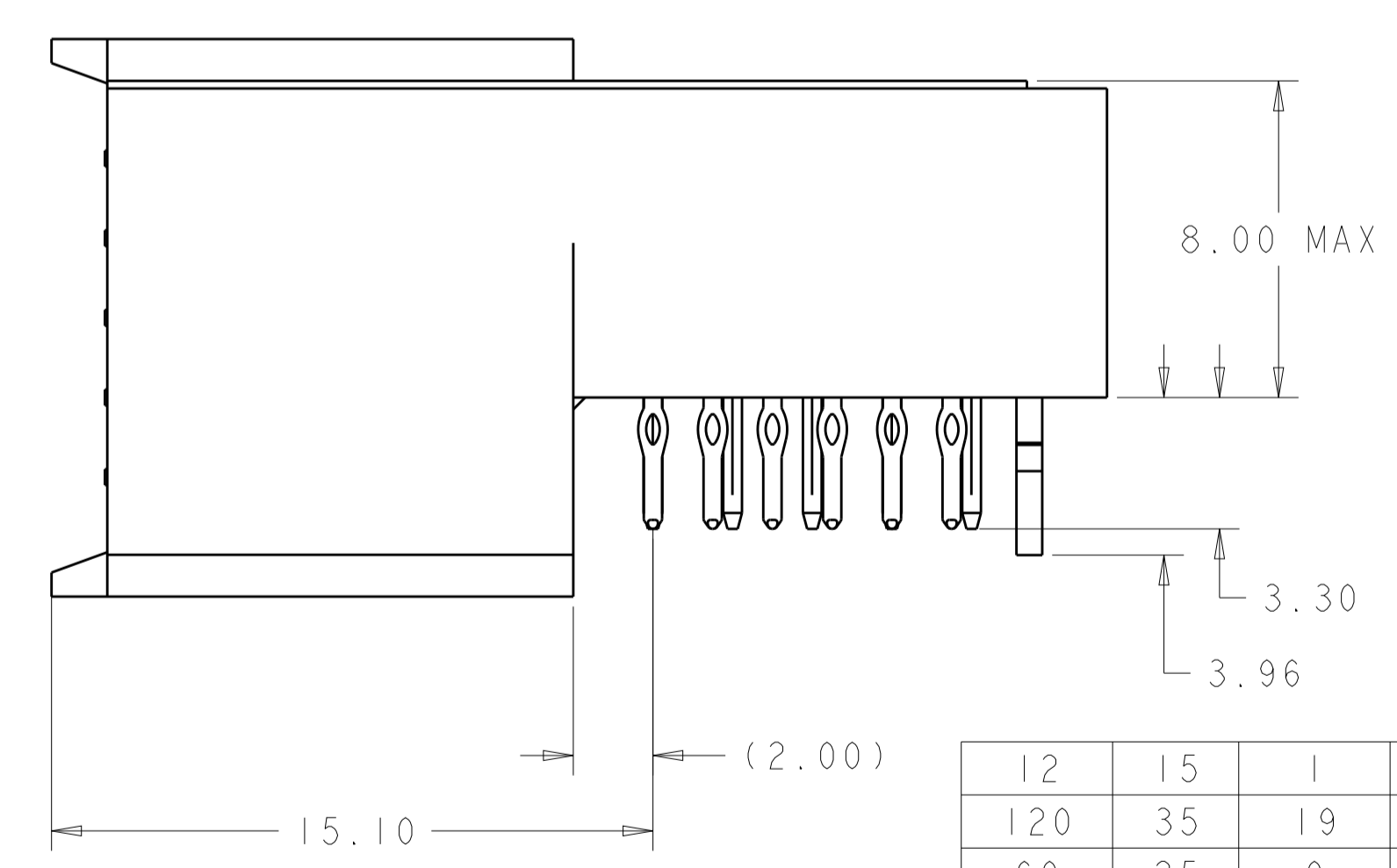
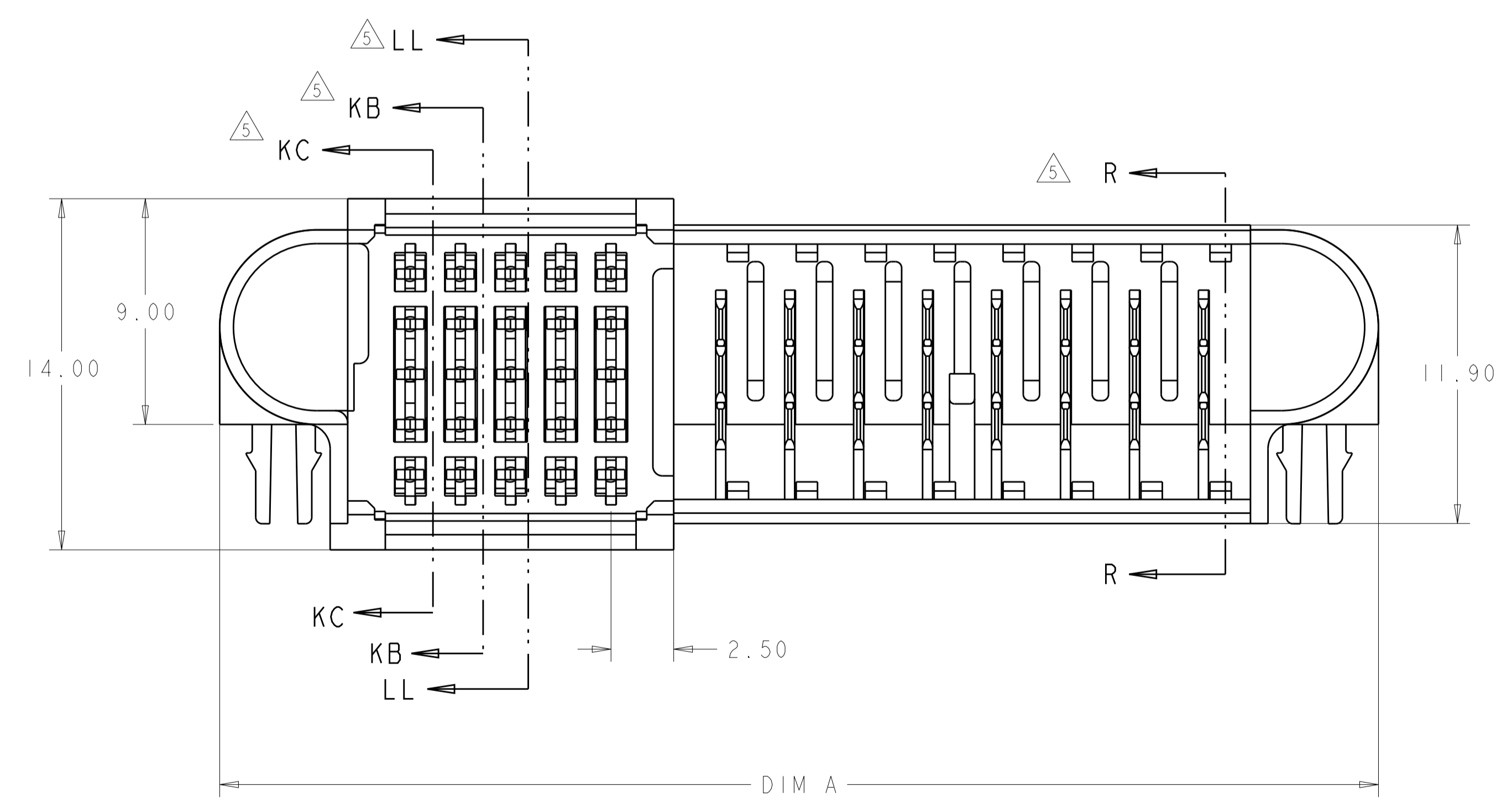


LOC	DIST	REVISIONS			
P	LTH	DESCRIPTION	DATE	DWN	APVD
GP	00				
F7		ADD NEW PART -5	18NOV2013	OL	SZ
F8		ECR-15-001425	26JAN2015	SZ	SZ



ISOMETRIC FRONT VIEW



SIZE	QTY.	"E" QTY.	"D" SPACES	"C" SPACES	DIM "B"	DIM "A"	NO. OF POSITIONS	PART NUMBER
12	15	1	2	20.60	25.71	15S X 2P	1926734-6	
120	35	19	6	78.10	83.21	35S X 20P	1926734-5	
60	25	9	4	46.60	51.71	25S X 10P	1926734-4	
108	35	17	6	72.60	77.71	35S X 18P	1926734-3	
60	25	9	4	46.60	51.71	25S X 10P	1926734-2	
48	25	7	4	41.10	46.21	25S X 8P	1926734-1	

THIS DRAWING IS A CONTROLLED DOCUMENT. DWN: G. PETERS 03JUN2008  
 CHK: N. REESER 06JUN2008  
 APVD: N. REESER 06JUN2008

**STE** TE Connectivity

NAME: ASSEMBLY, RIGHT ANGLE, PLUG, SIGNAL/POWER, PASSIVE GUIDE

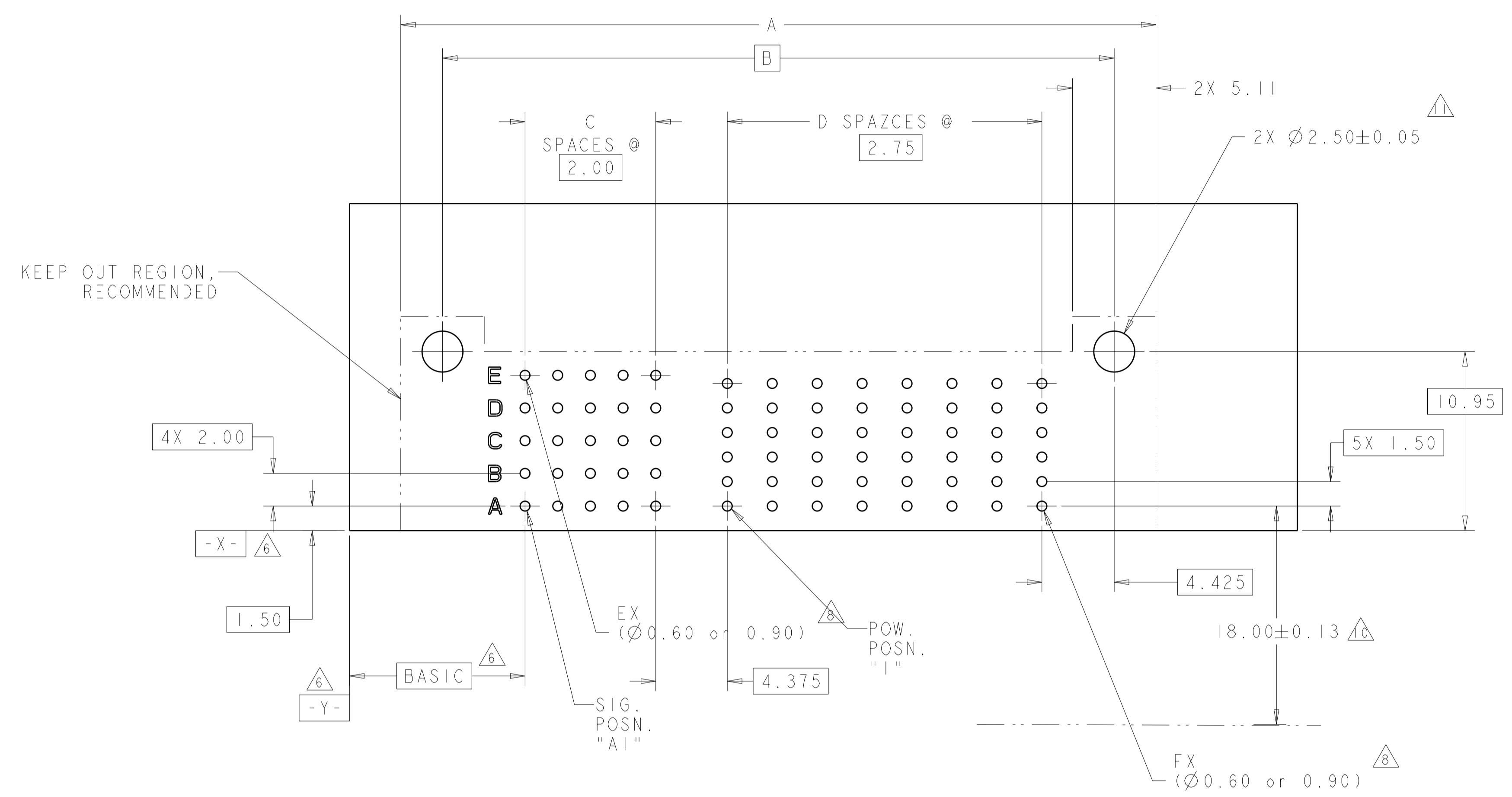
SIZE: A1 CAGE CODE: 1926734 DRAWING NO: 100779

MATERIAL: FINISH: WEIGHT: SCALE: 1:1 SHEET 1 OF 5 REV: F8

LOC	DIST	REV	DATE	BY	APPV
GP	00				

REVISIONS			
NO.	DESCRIPTION	DATE	BY
-	SEE SHEET 1	-	-



RECOMMENDED PRINTED CIRCUIT BOARD LAYOUT <sup>7</sup>  
 (AS VIEWED FROM COMPONENT SIDE)

- <sup>1</sup> HOUSING: GLASS FILLED LIQUID CRYSTAL POLYMER, COLOR: BLACK, UL 94V-0 RATED.  
 SIGNAL CONTACT: PHOSPHOR BRONZE.  
 SIGNAL OVERMOLD: GLASS FILLED POLYESTER.  
 POWER CONTACT: COPPER ALLOY.  
 BOARDLOCK: PHOSPHOR BRONZE.
- <sup>2</sup> SIGNAL CONTACT: 0.00127mm MIN NICKEL ALL OVER,  
 MATING AREA: 0.00076mm MIN GOLD OR 0.00008mm MIN GOLD OVER  
 0.00076mm MIN PALLADIUM-NICKEL  
 TAIL AREA: 0.0005mm MIN MATTE TIN.  
 POWER CONTACT: 0.00127mm MIN NICKEL ALL OVER,  
 MATING AREA: 0.00076mm MIN GOLD OR  
 0.00008mm MIN GOLD OVER 0.00076mm MIN PALLADIUM-NICKEL,  
 TAIL AREA: 0.0005mm MIN MATTE TIN.  
 BOARDLOCK: 0.00076mm MIN MATTE TIN OVER  
 0.00127mm MIN NICKEL.
- 3 CONTACT MATING AREA LUBRICATED WITH BELLCORE APPROVED LUBRICANT,  
 TECHNICAL REFERENCE: GR-1217-CORE, ISSUE 1, NOVEMBER 1995.
- 4 CONNECTOR ASSEMBLY MARKED WITH PART NUMBER AND DATE CODE.
- <sup>5</sup> CUSTOMER TO SPECIFY LOAD PATTERN, USE WORKSHEET ON SHEET 3,  
 FOR EXISTING PART NUMBERS ALREADY LOADED SEE SHEET 4.  
 LOAD PATTERNS SHOWN ON SHEETS 1 & 3 ILLUSTRATES CHOICES,  
 DOES NOT MATCH ANY DASH PART NUMBERS.
- <sup>6</sup> DATUMS AND BASIC DIMENSIONS TO BE ESTABLISHED BY CUSTOMER.
- <sup>7</sup> PC BOARD THICKNESS 1.4mm MIN.  
 FOR WAVE SOLDER PC BOARD THICKNESS 2.62mm MAX.
- <sup>8</sup> FOR WAVE SOLDER: FINISHED HOLE DIAMETER: 0.90 +/- 0.05mm  
 FOR PRESS FIT: DRILL HOLE DIAMETER: 0.70 +/- 0.02mm  
 FINISHED HOLE DIAMETER: 0.61mm REF  
 PAD DIAMETER: 0.90 +/- 0.05mm  
 Cu PLATING THICKNESS: 0.025-0.050mm  
 WITH A SURFACE FINISH AND THICKNESS OF EITHER:  
 HASL SnPb: 0.004-0.015mm  
 IMMERSION Sn: 0.0005mm MIN.  
 OSP: 0.0002-0.0005mm  
 IMMERSION Ag: 0.0001mm MIN.  
 IMMERSION Au/Ni: 0.0001-0.0005mm Au, 0.004-0.0076mm Ni
- 9 SEE CUSTOMER DRAWING 1926733 FOR MATING RECEPTACLE CONNECTOR.
- <sup>10</sup> DIMENSION IS TO FIRST ROW OF PLATED THRU HOLES ON RECEPTACLE PCB.
- <sup>11</sup> UNPLATED HOLES
- 12. THIS CONNECTOR EMPLOYS UL RECOGNIZED Z-PACK 2mm HM CONNECTOR AT SIGNALS

THIS DRAWING IS A CONTROLLED DOCUMENT.		OWN G. PETERS 03JUN2008	TE Connectivity
DIMENSIONS: mm		CHK N. BEESER 06JUN2008	
TOLERANCES UNLESS OTHERWISE SPECIFIED: 0 PLC ±.1 1 PLC ±.2 2 PLC ±.25 3 PLC ±.3 4 PLC ±.4 ANGLES ±.2		APPV N. BEESER 06JUN2008	NAME ASSEMBLY, RIGHT ANGLE, PLUG, SIGNAL/POWER, PASSIVE GUIDE,
MATERIAL		PRODUCT SPEC	SIZE A100779C=1926734
FINISH		APPLICATION SPEC	RESTRICTED TO
Customer Drawing		WEIGHT	SCALE 1:1 SHEET 2 OF 5 REV F8

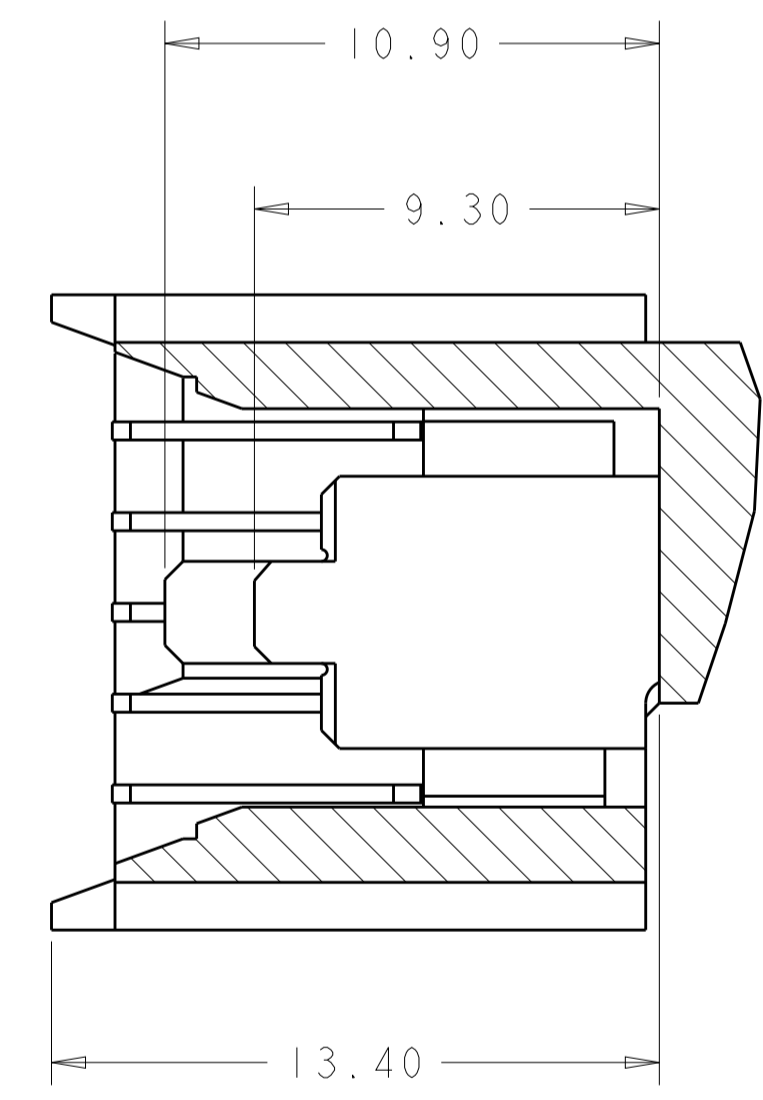
LOC	DIST	REVISIONS					
		P	LTN	DESCRIPTION	DATE	DMN	APVD
GP	00	-	-	SEE SHEET 1	-	-	-

CUSTOM LOADING WORKSHEET FOR SIGNAL & POWER SEQUENCING LEVELS																																
MINIPAK HDL - MATING FACE OF PLUG CONNECTOR***																																
	COLUMNS																															
ROWS	1	2	3	4	5	6	7	8	1	2	3	4	5	6	7	8	9	10	11	12	13	14	15	16	17	18	19	20	21	22	23	24
	SIGNAL CHICKLETS*								POWER CONTACTS**																							

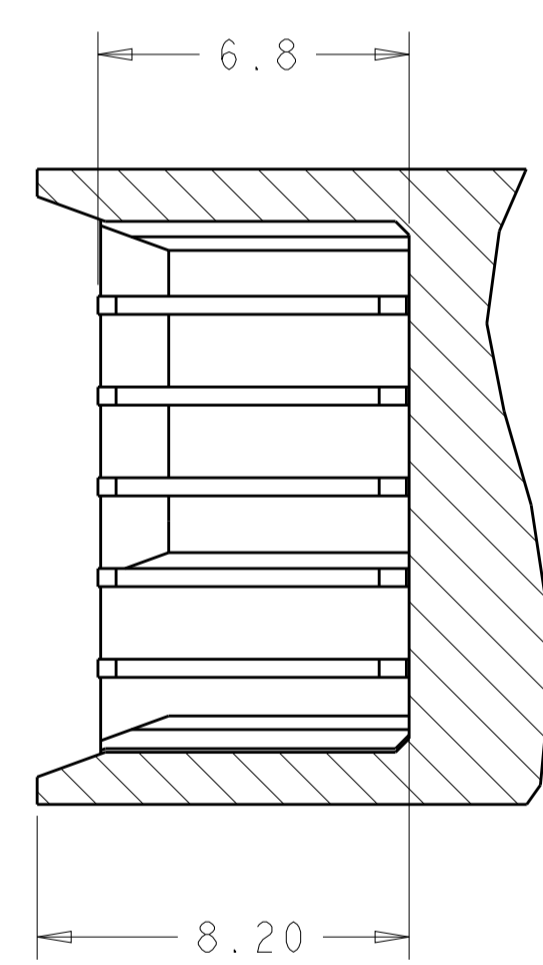
\*LOAD WITH CHOICE OF 3 CHICKLETS  
 SEE SECTIONS KA, KB, & KC FOR  
 AVAILABLE LENGTH OPTIONS.

\*\* LOAD WITH CHOICE OF 2 POWER  
 CONTACT MATING LENGTHS, SEE SEC.  
 MM FOR AVAILABLE LENGTH OPTIONS.

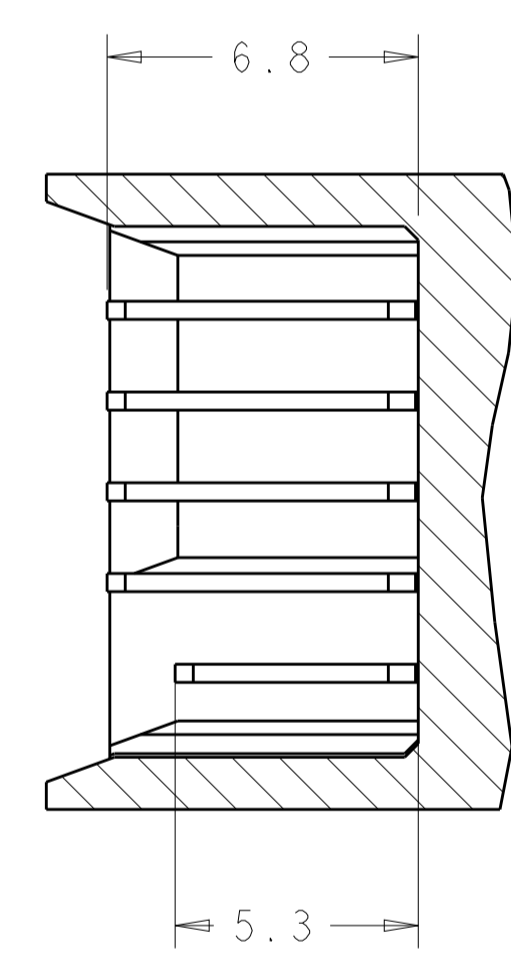
\*\*\*CUSTOM LOADING WORKSHEET SHOWN AT MAXIMUM SIZE CONFIGURABLE (40S X 24P),  
 SIGNALS AVAILABLE IN 2,3,4 THRU 8 POSITIONS, POWERS AVAILABLE IN 4,6,8,  
 10, THRU 24 POSITIONS IN EVEN QUANTITIES ONLY.



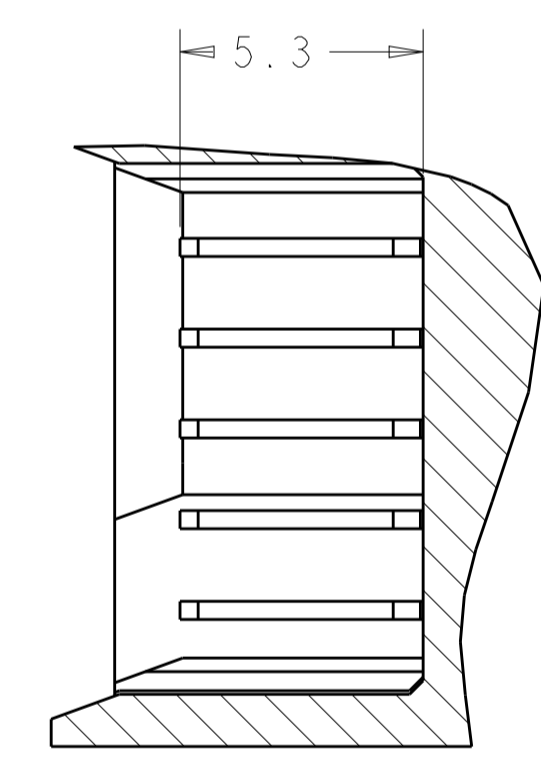
SECTION R-R (LEVEL 2, SHORTEST, & LEVEL 3 LONGEST, MATING CONTACTS)



SECTION LL-LL (LEVEL 2: ALL LONGEST CONTACT)



SECTION KB-KB (LEVEL 12222: LEVEL 1 ROW "A" ONLY, LEVEL 2 ROWS "B" THRU "E")



SECTION KC-KC (LEVEL 1: SHORTEST CONTACT)

THIS DRAWING IS A CONTROLLED DOCUMENT.		DMN: G. PETERS 03JUN2008	 TE Connectivity
DIMENSIONS: mm		CHK: N. REESER 06JUN2008	
 TOLERANCES UNLESS OTHERWISE SPECIFIED: 0 PLC ±.1 1 PLC ±.2 2 PLC ±.25 3 PLC ±. 4 PLC ±. ANGLES ±.2 FINISH -		APVD: N. REESER 06JUN2008	
MATERIAL: -	FINISH: -	WEIGHT: -	NAME: ASSEMBLY, RIGHT ANGLE, PLUG, SIGNAL/POWER, PASSIVE GUIDE, SIZE: A100779 CAGE CODE: 1926734 DRAWING NO: 1926734 RESTRICTED TO: - Customer Drawing
SCALE: 1:1		SHEET: 3 OF 5	REV: F8

LOC	DIST	REVISIONS			
P	LTN	DESCRIPTION	DATE	DMN	APVD
GP	00	SEE SHEET 1			

PART NUMBER	ROWS	SIGNALS					POWERS											
		1	2	3	4	5	1	2	3	4	5	6	7	8				
1926734-1	A																	
	B	2																
	C	2																
	D	12222																
	E	2						3	3	3	3	2	2	2	2			
25S X 8P																		

PART NUMBER	ROWS	SIGNALS					POWERS											
		1	2	3	4	5	1	2	3	4	5	6	7	8	9	10		
1926734-2	A																	
	B	2																
	C	2																
	D	2					1	2	2	2	2	2	2	2	2	2	2	2
	E	2																
25S X 10P																		

PART NUMBER	ROWS	SIGNALS							POWERS																		
		1	2	3	4	5	6	7	1	2	3	4	5	6	7	8	9	10	11	12	13	14	15	16	17	18	
1926734-3	A																										
	B	1																									
	C	1																									
	D	1																									
	E	1								2	2	2	3	3	3	3	3	3	3	2	2	2	2	2	2	2	2
35S X 18P																											

PART NUMBER	ROWS	SIGNALS					POWERS										
		1	2	3	4	5	1	2	3	4	5	6	7	8	9	10	
1926734-4	A																
	B	2															
	C	2															
	D	1															
	E	2						2	2	2	2	2	2	2	2	2	
25S X 10P																	


VIEWED FROM MATING FACE

THIS DRAWING IS A CONTROLLED DOCUMENT.		DMN: G. PETERS 03JUN2008	TE Connectivity
DIMENSIONS: mm		CHK: N. REESER 06JUN2008	
TOLERANCES UNLESS OTHERWISE SPECIFIED:		APVD: N. REESER 06JUN2008	NAME: ASSEMBLY, RIGHT ANGLE, PLUG, SIGNAL/POWER, PASSIVE GUIDE,
0 PLC ±.1		PRODUCT SPEC	SIZE: A100779
1 PLC ±.2		APPLICATION SPEC	CAGE CODE: C=1926734
2 PLC ±.25		WEIGHT	RESTRICTED TO
3 PLC ±.3		Customer Drawing	SCALE: 1:1
4 PLC ±.4			SHEET 4 OF 5
ANGLES ±.2			REV: F8
FINISH			

LOC	DIST	REVISIONS			
P	LTN	DESCRIPTION	DATE	DMN	APVD
GP	00	SEE SHEET 1			

PART NUMBER	ROWS	SIGNAL							POWER																				
		1	2	3	4	5	6	7	1	2	3	4	5	6	7	8	9	10	11	12	13	14	15	16	17	18	19	20	
1926734-5	A B C D E	1	1	1	1	1	1	1	2	2	2	3	3	3	3	3	3	3	3	3	2	2	2	2	2	2	2	2	
35S X 20P																													

PART NUMBER	ROWS	SIGNAL			POWER	
		1	2	3	1	2
1926734-6	A B C D E	2	1	1	2	2
15S X 2P						

THIS DRAWING IS A CONTROLLED DOCUMENT.		DMN: G. PETERS 03JUN2008	 TE Connectivity NAME: ASSEMBLY, RIGHT ANGLE, PLUG, SIGNAL/POWER, PASSIVE GUIDE. PRODUCT SPEC: - APPLICATION SPEC: - SIZE: A1 CAGE CODE: 00779 DRAWING NO: C=1926734 RESTRICTED TO: -
DIMENSIONS:		CHK: N. REESER 06JUN2008	
mm		APVD: N. REESER 06JUN2008	
0 PLC ±. 1 PLC ±.2 2 PLC ±.25 3 PLC ±. 4 PLC ±. ANGLES ±.2		FINISH: -	
MATERIAL: -		WEIGHT: -	Customer Drawing
SCALE: 1:1		SHEET: 5 OF 5	REV: F8

## X-ON Electronics

Largest Supplier of Electrical and Electronic Components

*Click to view similar products for [Heavy Duty Power Connectors](#) category:*

*Click to view products by [TE Connectivity](#) manufacturer:*

Other Similar products are found below :

[1424439](#) [1424438](#) [09330062652](#) [2-8675P1](#) [605601-1](#) [6340G1](#) [6341G1](#) [6360G1](#) [6373G1](#) [6374g2](#) [6396G1](#) [647757-1](#) [66394-4](#) [6643411-1](#)  
[6646058-2](#) [6646137-1](#) [6646138-1](#) [6646348-1](#) [6646479-1](#) [6646608-1](#) [6646786-1](#) [6646940-1](#) [6651091-1](#) [6651525-1](#) [6651529-1](#) [6651778-1](#)  
[6651788-1](#) [696465-1](#) [696475-1](#) [73000005059](#) [73000005349](#) [73000005642](#) [73080255059](#) [73080965046](#) [765-15-0080A](#) [765-16-0080B](#)  
[789.700-44](#) [789.700-54](#) [80-1010](#) [80-9](#) [827381-1](#) [829992-1](#) [902-77-02113](#) [PL00U-301-10D10](#) [PM103MOOLOO](#) [PM16S1620S32-50](#)  
[PM212MOOLOO](#) [PM309FOOLOO](#) [PM324FOOLCH](#) [PMHPAF11S03](#)