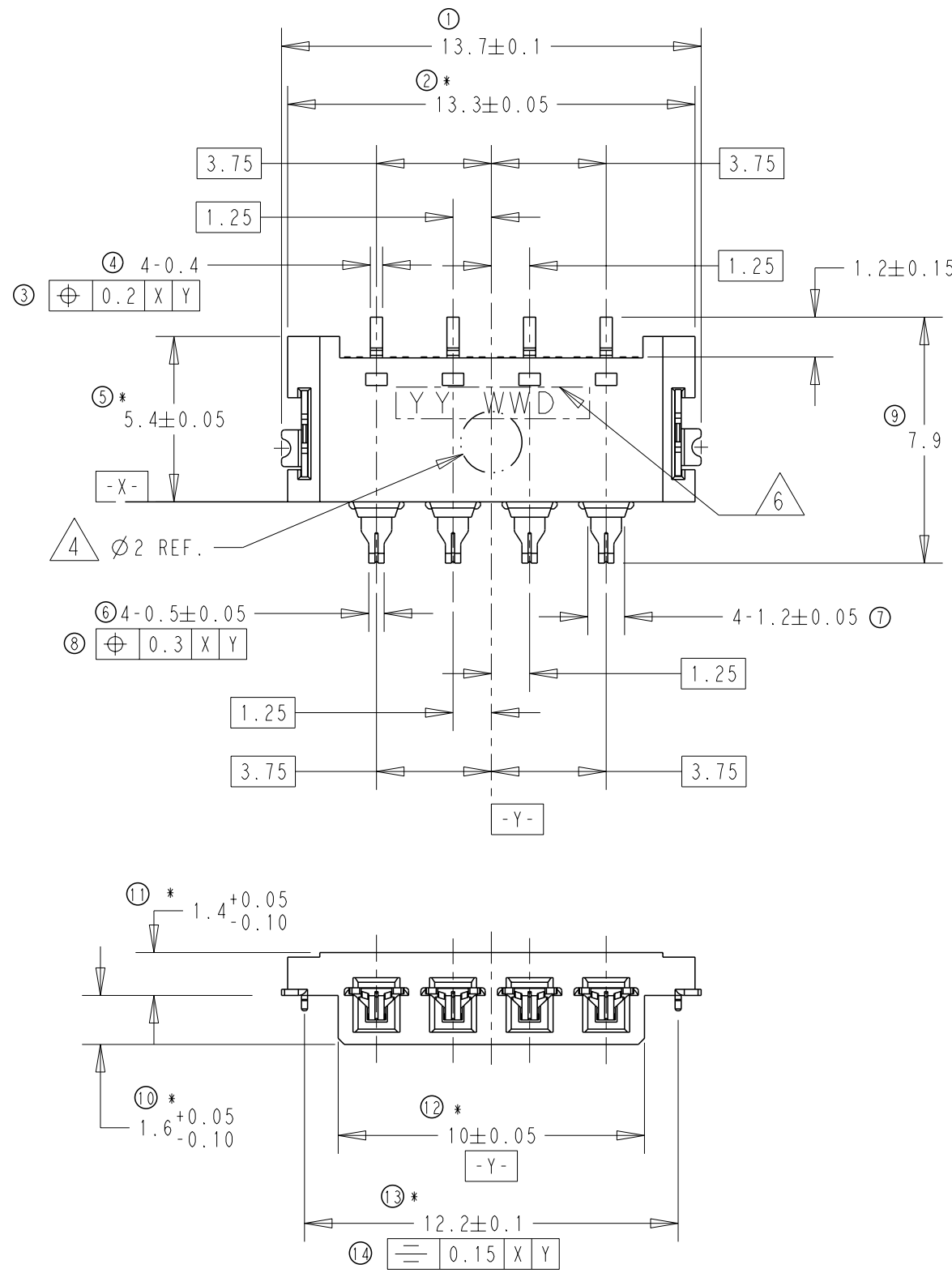
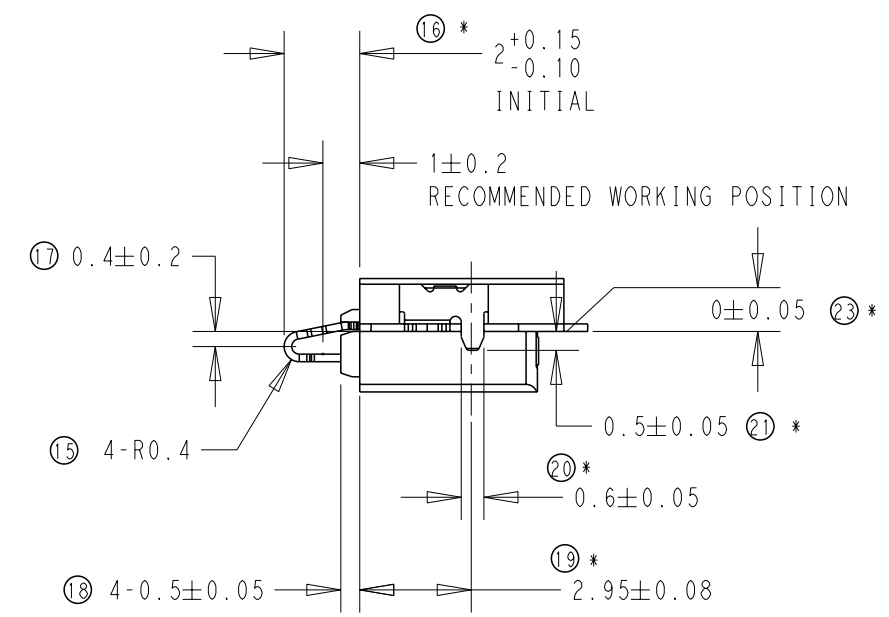


LOC	DIST	REVISIONS			
P	LTR	DESCRIPTION	DATE	DWN	APVD
-	-	A4	REVISED ON KEY DIMENSION MARK	16DEC2014	I.T W.H



- ① MATERIAL  
 CONTACT: COPPER ALLOY, C7035 TM06.  
 HOUSING: PA-4T, UL94V-0, BLACK.  
 SOLDER PEG: BRASS OR STAINLESS STEEL.
- ② FINISH  
 CONTACT: 1.0 um MIN. NICKEL UNDER PLATING.  
 0.2 um MIN. GOLD PLATING AT CONTACT AREA.  
 0.025 um MIN. GOLD PLATING AT SOLDERING AREA.  
 SOLDER PEG: 1.0 um MIN. NICKEL UNDER PLATING.  
 1.5 um MIN. TIN PLATING.
- ② \* 3. COPLANARITY 0.08MM MAX, 0.1MM MAX AFTER REFLOW.
- ④ PICK UP AREA
- ⑤ EMBOSS AND COVER TAPE: ESD PROTECTION MATERIAL
- ⑥ MARK WITH DATE CODE, YYWWD: YY-YEAR, WW-WEEK, D-DAY
- ⑦ STORAGE LIFE: AT LEAST 12 MONTHS.
- ⑧ DIMENSIONS BE MARKED '\* ' ARE KEY DIMENSIONS.



2199206-1 AS SHOWN

THIS DRAWING IS A CONTROLLED DOCUMENT.		DWN 18SEP2012 ZHANG WEI	 TE Connectivity	NAME					
DIMENSIONS: mm		CHK 18SEP2012 XU XIANG		RIGHT ANGLE, 4 POS MID-MOUNT BATTERY CONNECTOR					
 TOLERANCES UNLESS OTHERWISE SPECIFIED: 0 PLC ±0.3 1 PLC ±0.2 2 PLC ±0.2 3 PLC ±0.2 4 PLC ±0.1 ANGLES ±3		APVD 18SEP2012 STEVNE YAO		PRODUCT SPEC 108-115054	SIZE	RESTRICTED TO			
		APPLICATION SPEC		CAGE CODE	DRAWING NO				
MATERIAL	FINISH	WEIGHT	0.294g	A3	00779	C-2199206	SCALE 5:1	SHEET 1 OF 3	REV A4
①		②		CUSTOMER DRAWING					

THIS DRAWING IS UNPUBLISHED.

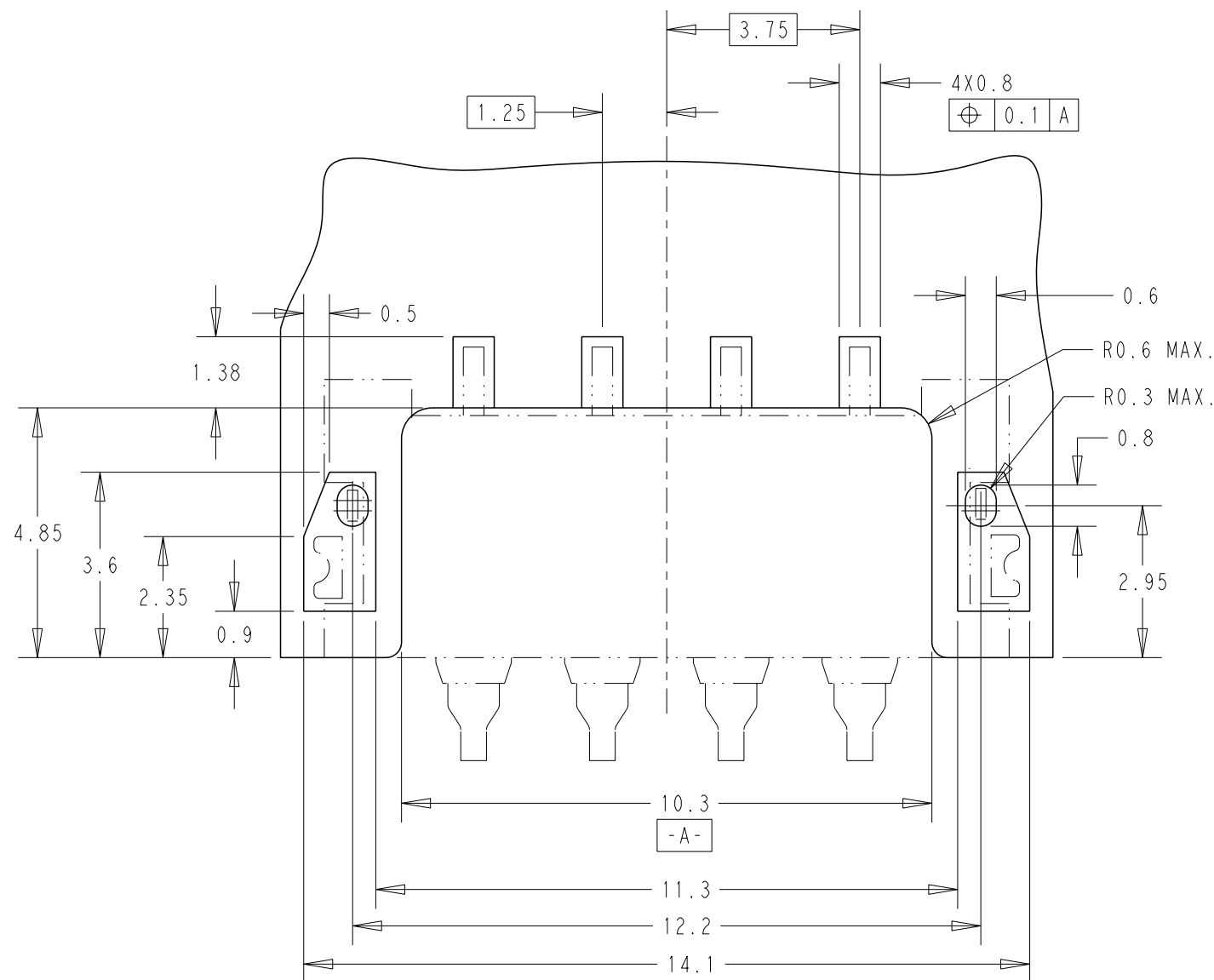
RELEASED FOR PUBLICATION

20

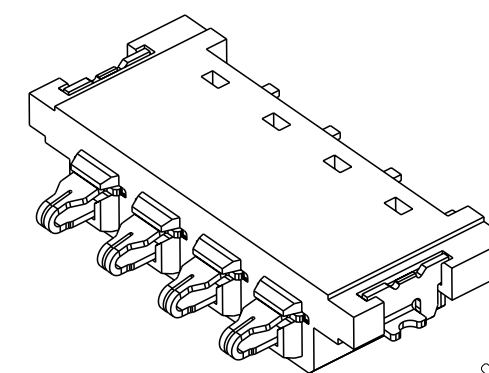
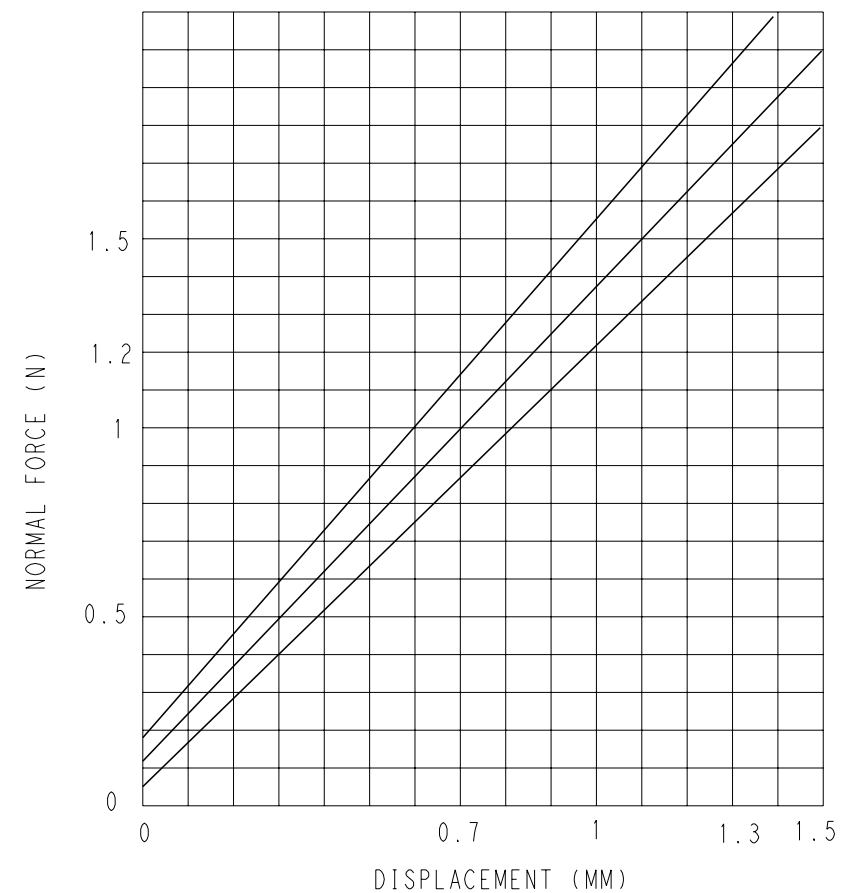
© COPYRIGHT 20 BY -

ALL RIGHTS RESERVED.

LOC	DIST	REVISIONS			
P	LTR	DESCRIPTION	DATE	DWN	APVD
-	-	SEE SHEET 1			



RECOMMENDED PCB LAYOUT  
GENERAL TOLERANCE: ±0.05



SCALE 5:1  
3D VIEW FOR REFERENCE

THIS DRAWING IS A CONTROLLED DOCUMENT.		DWN ZHANG WEI 18SEP2012		
DIMENSIONS: mm		CHK XU XIANG 18SEP2012		
TOLERANCES UNLESS OTHERWISE SPECIFIED:		APVD STEVNE YAO 18SEP2012	NAME RIGHT ANGLE, 4 POS MID-MOUNT BATTERY CONNECTOR	
0 PLC ± 0.3 1 PLC ± 0.2 2 PLC ± 0.2 3 PLC ± 0.2 4 PLC ± 0.1 ANGLES ± 3		PRODUCT SPEC 108-115054	RESTRICTED TO	
MATERIAL 1		FINISH 2	SIZE A3	CAGE CODE 00779
		WEIGHT 0.294g	DRAWING NO C-2199206	
		CUSTOMER DRAWING	SCALE 5:1	SHEET 2 OF 3
				REV A4

THIS DRAWING IS UNPUBLISHED.

RELEASED FOR PUBLICATION

20

© COPYRIGHT 20 BY -

ALL RIGHTS RESERVED.

LOC -

DIST -

REVISIONS

P LTR

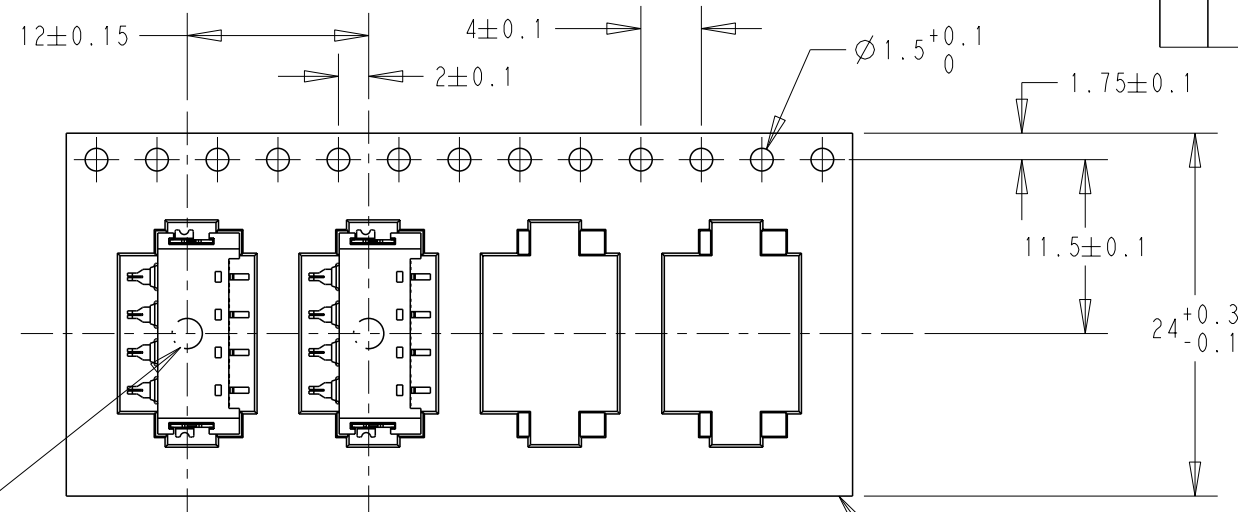
DESCRIPTION

DATE

DWN

APVD

SEE SHEET 1



CENTER OF THE PICKING PLACE

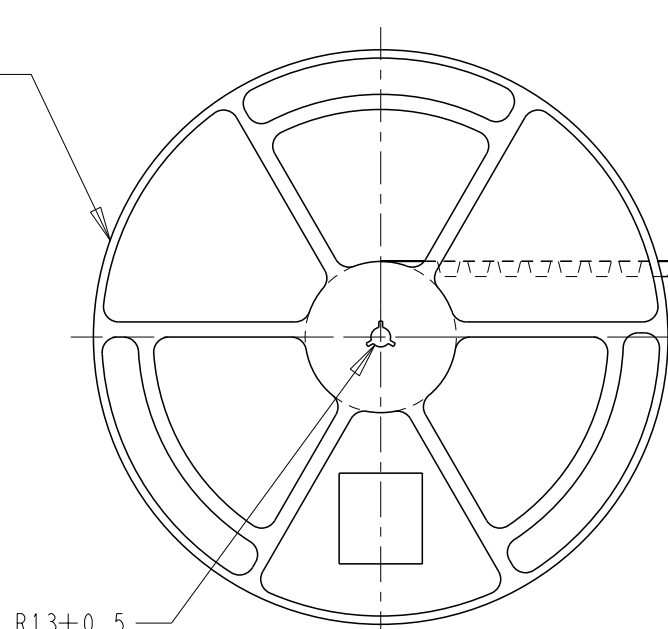
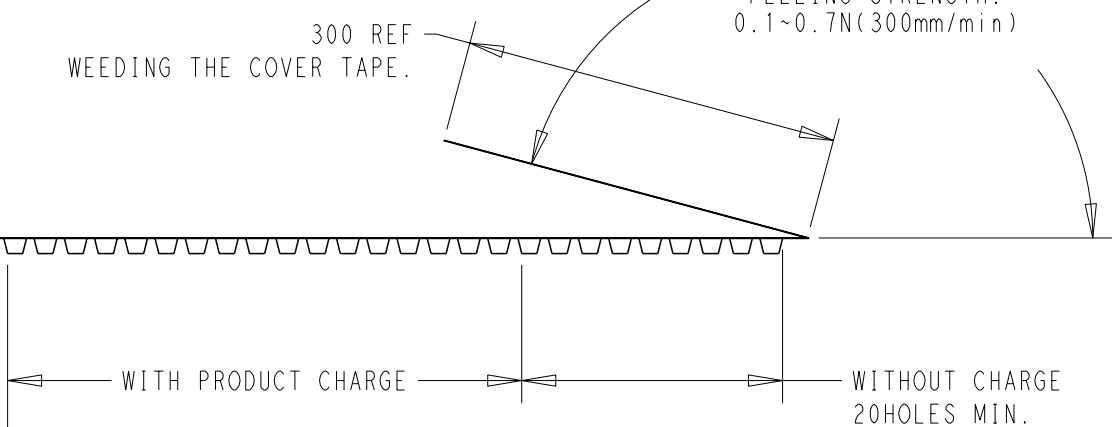
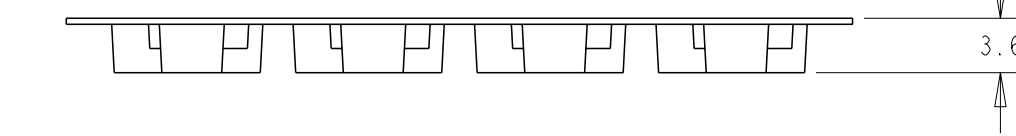
URER DIRECTION OF UNREELING

30.4 REF REEL WIDTH

FLANGE CORE DIA Ø100REF

Ø330REF REEL DIA.

24.4REF



1500	TBD	1533494-1
QTY/REEL	② COVER TAPE	① EMBOSS TAPE

THIS DRAWING IS A CONTROLLED DOCUMENT.

DIMENSIONS: mm	TOLERANCES UNLESS OTHERWISE SPECIFIED:
	0 PLC ±0.3
	1 PLC ±0.3
	2 PLC ±0.3
	3 PLC ±0.3
	4 PLC ±0.3
	ANGLES ±3
MATERIAL	FINISH

DWN	ZHANG WEI	18SEP2012
CHK	XU XIANG	18SEP2012
APVD	STEVNE YAO	18SEP2012
PRODUCT SPEC	108-115054	
APPLICATION SPEC	-	
WEIGHT	0.294g	
CUSTOMER DRAWING		

TE Connectivity		NAME	
		RIGHT ANGLE, 4 POS MID-MOUNT BATTERY CONNECTOR	
SIZE	CAGE CODE	DRAWING NO	RESTRICTED TO
A3	00779	©-2199206	-
SCALE 5:1		SHEET 3 OF 3	REV A4

## X-ON Electronics

Largest Supplier of Electrical and Electronic Components

*Click to view similar products for [Battery Contacts](#) category:*

*Click to view products by [TE Connectivity](#) manufacturer:*

Other Similar products are found below :

[H-843](#) [3.5MM-UNIVERSAL-CONTACT](#) [4030](#) [120220-0310](#) [120220-0311](#) [101267-209](#) [009155003001013](#) [98285-1000](#) [0475070010](#) [72](#)  
[1189](#) [120](#) [120220-0202](#) [120220-0206](#) [1241](#) [113](#) [118](#) [2199206-1](#) [2472](#) [118TR](#) [009155003101008](#) [120220-0204](#) [120TR](#) [2983](#) [117](#) [122TR](#)  
[111](#) [120220-0312](#) [5330TR](#) [009155003741006](#) [122](#) [5331TR](#) [009155002741006](#) [498TR](#) [009155004741006](#) [556TR](#) [009155005741006](#)  
[009155006741006](#) [70ADJ-2-FL1G](#) [70ADJ-3-FL1G](#) [1902937-1](#) [497](#) [5203](#) [5219](#) [5225](#) [550](#) [553](#) [555](#) [556](#) [202-02970-00518](#)