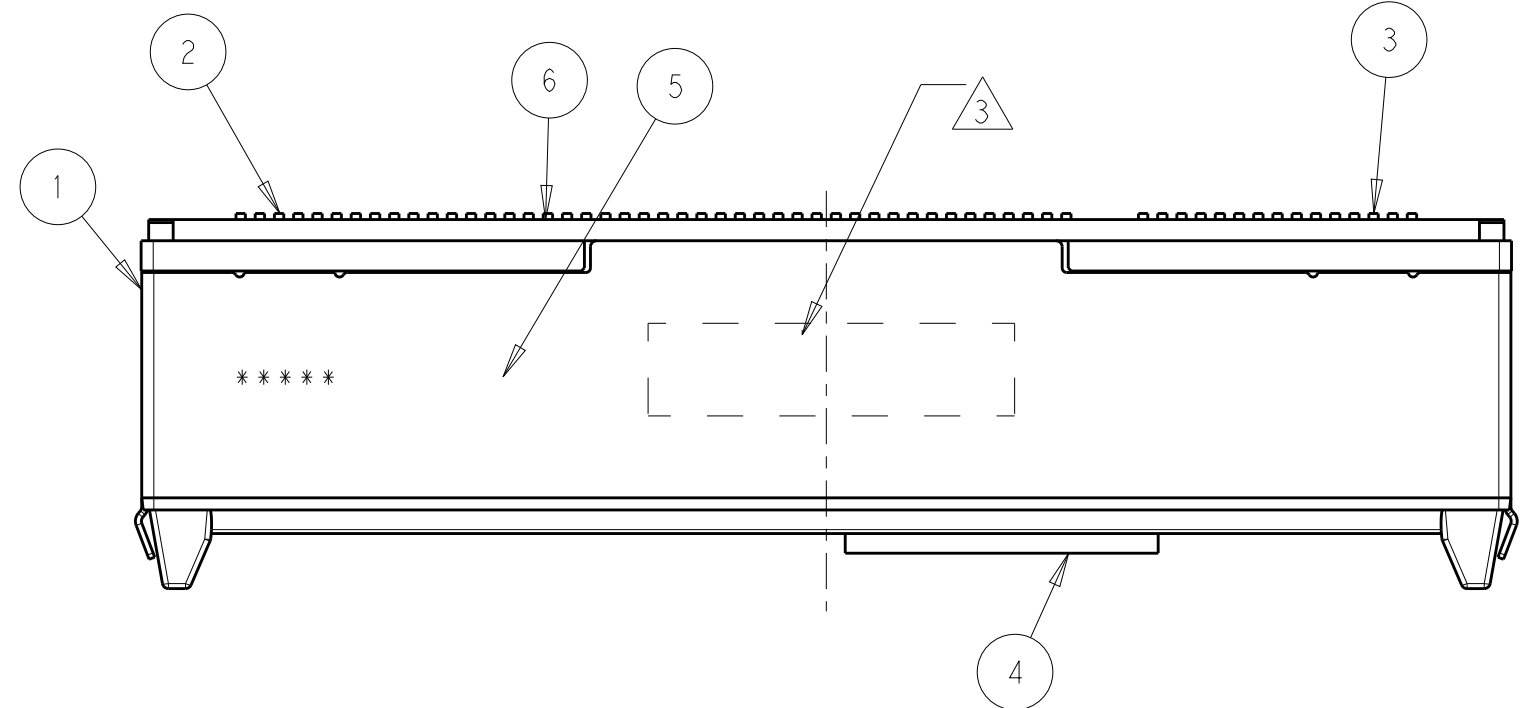


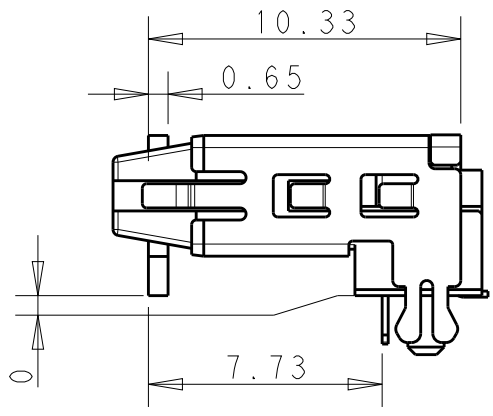
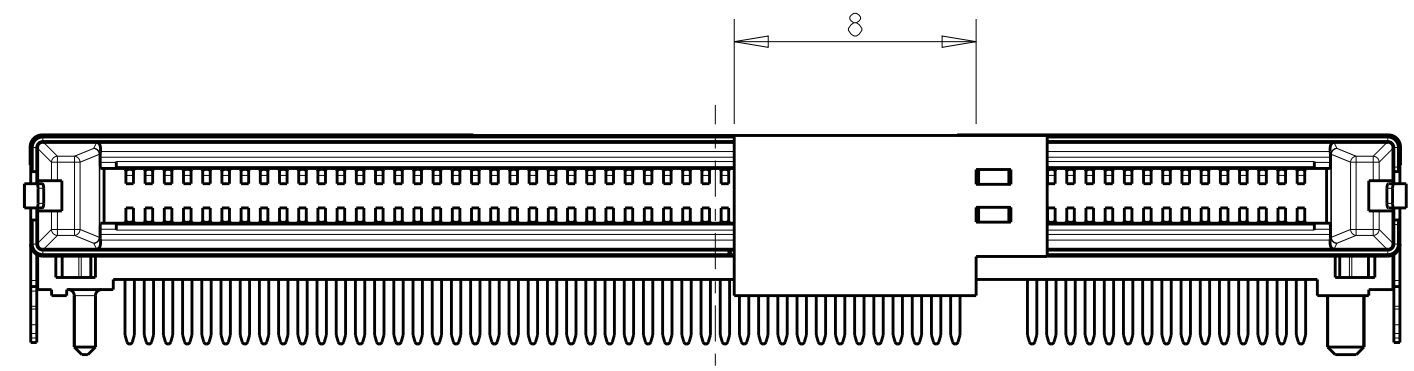
LOC	DIST	REVISIONS			
P	LTR	DESCRIPTION	DATE	DWN	APVD
-	-	A	REVISED	30OCT2012	E.L X.X

WITH CAP CONDITION




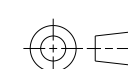
NOTE

- ① MATERIAL: ① HOUSING: THERMO-PLASTIC (UL94V-0, BLACK)  
 ② POWER CONTACT: COPPER ALLOY  
 ③ SIGNAL CONTACT: COPPER ALLOY  
 ④ CAP: THERMO-PLASTIC (UL94V-0, BLACK)  
 ⑤ SHELL: STAINLESS STEEL  
 ⑥ SPACER: THERMO-PLASTIC (UL94V-0, BLACK)
- ② FINISH: CONTACT: ALL OVER Ni UNDER PLATING  
 Au PLATING ON CONTACT AREA  
 Tin PLATING ON TINE AREA
- ③ SHELL: NICKEL PLATING  
 PICK & PLACE VACUUM AREA



1	SPACER	6
1	SHELL	5
1	CAP	4
88	SIGNAL CONT	3
30	POWER CONT	2
1	HOUSING	1
Q'TY	NAME	ITEM

AS SHOWN: 2199015-1

THIS DRAWING IS A CONTROLLED DOCUMENT.		DWN SIMON LI 5AGU2011	 TE Connectivity	
DIMENSIONS: mm		CHK SIMON LI 5AGU2011		
		APVD COREI WANG 5AGU2011		
TOLERANCES UNLESS OTHERWISE SPECIFIED: 0 PLC ± 1 PLC ±0.25 2 PLC ±0.3 3 PLC ± 4 PLC ± ANGLES ± FINISH ②		PRODUCT SPEC -		
MATERIAL ①		APVD COREI WANG 5AGU2011	NAME PLUG ASSEMBLY 0.635mm PITCH 118 PIN BAY CONNECTOR	
FINISH ②		PRODUCT SPEC -	APPLICATION SPEC -	
WEIGHT		PRODUCT SPEC -	APPLICATION SPEC -	
CUSTOMER DRAWING		WEIGHT	SIZE A3	CAGE CODE 00779
		WEIGHT	DRAWING NO 2199015	
		WEIGHT	RESTRICTED TO -	
		WEIGHT	SCALE 1:1	SHEET 1 OF 4
		WEIGHT	REV A	

4

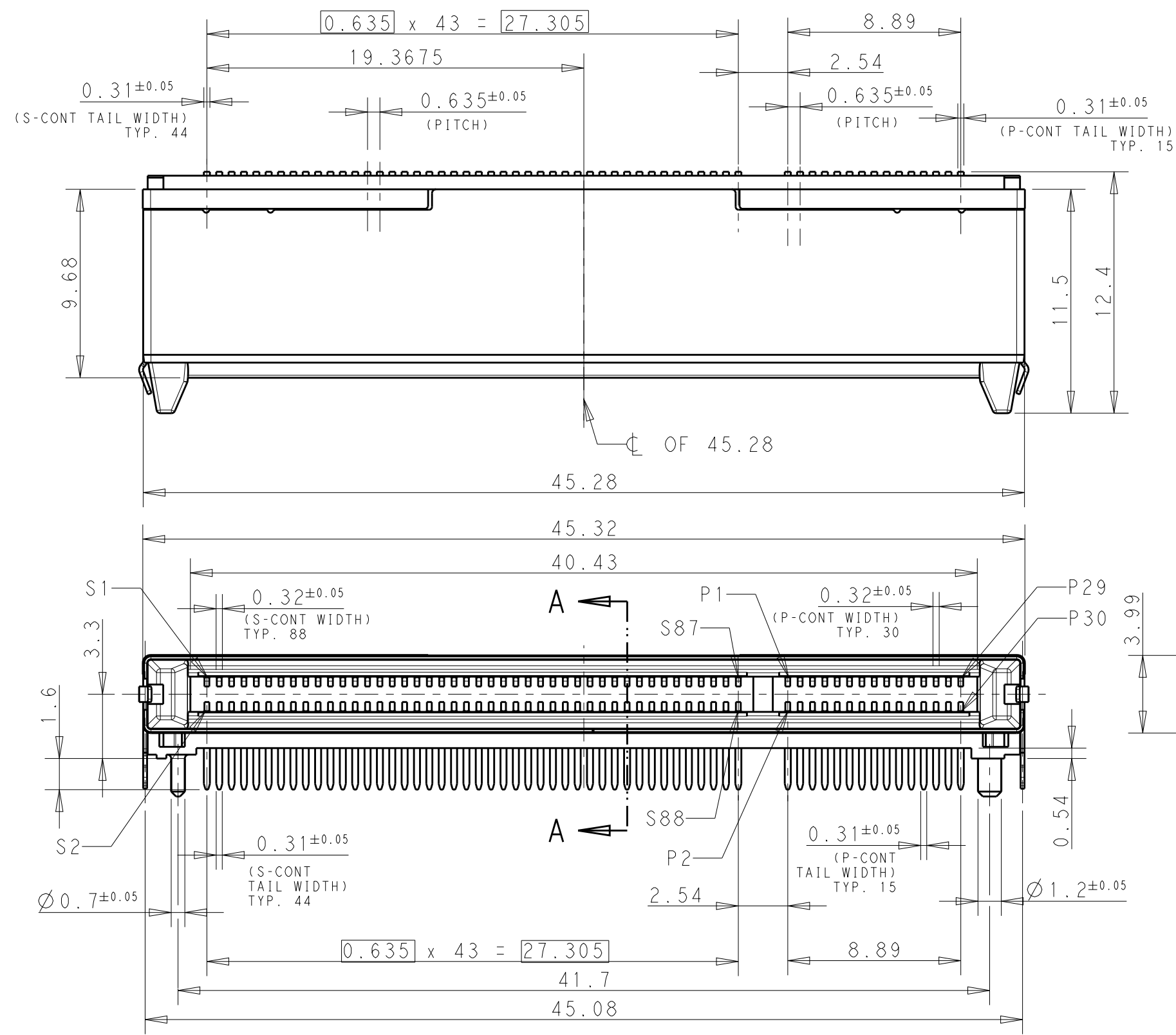
3

2

1

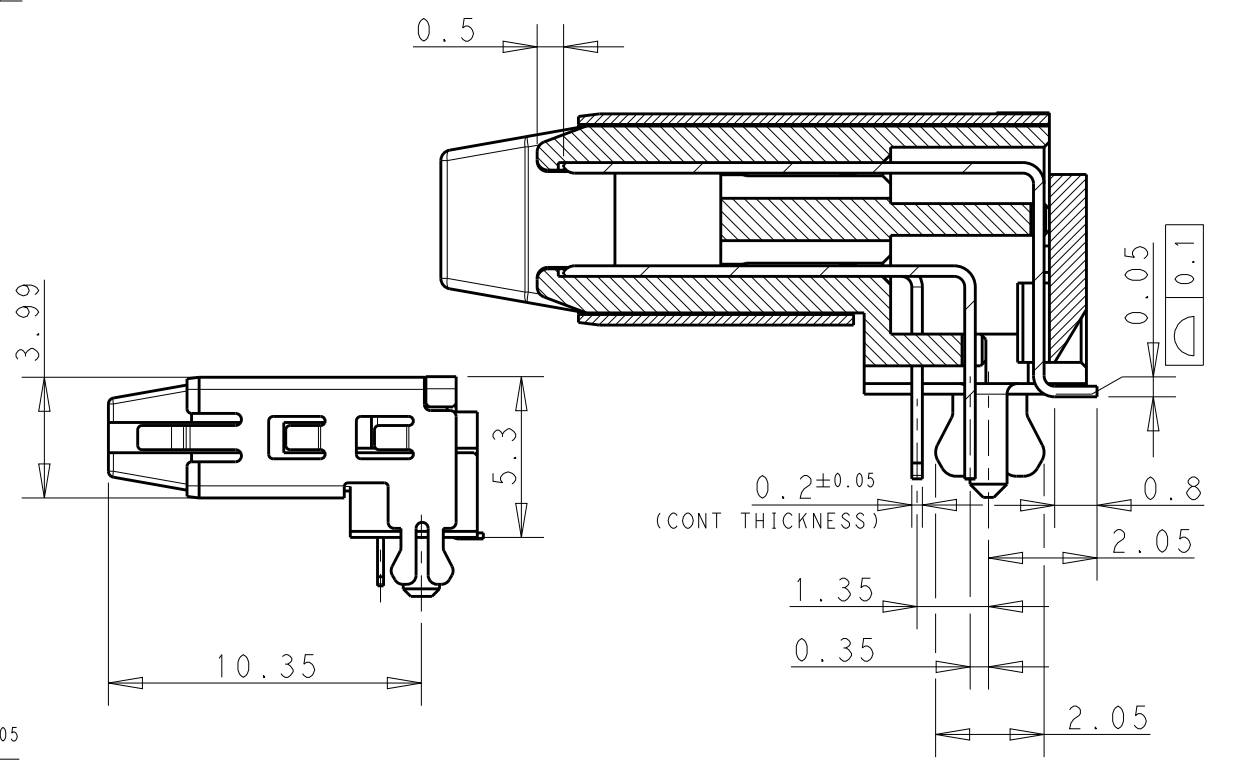
THIS DRAWING IS UNPUBLISHED. RELEASED FOR PUBLICATION 20  
 © COPYRIGHT 20 BY - ALL RIGHTS RESERVED.

LOC		DIST		REVISIONS		
P	LTR	DESCRIPTION	DATE	DWN	APVD	
-	-					




WITHOUT CAP CONDITION

MATING CONDITION

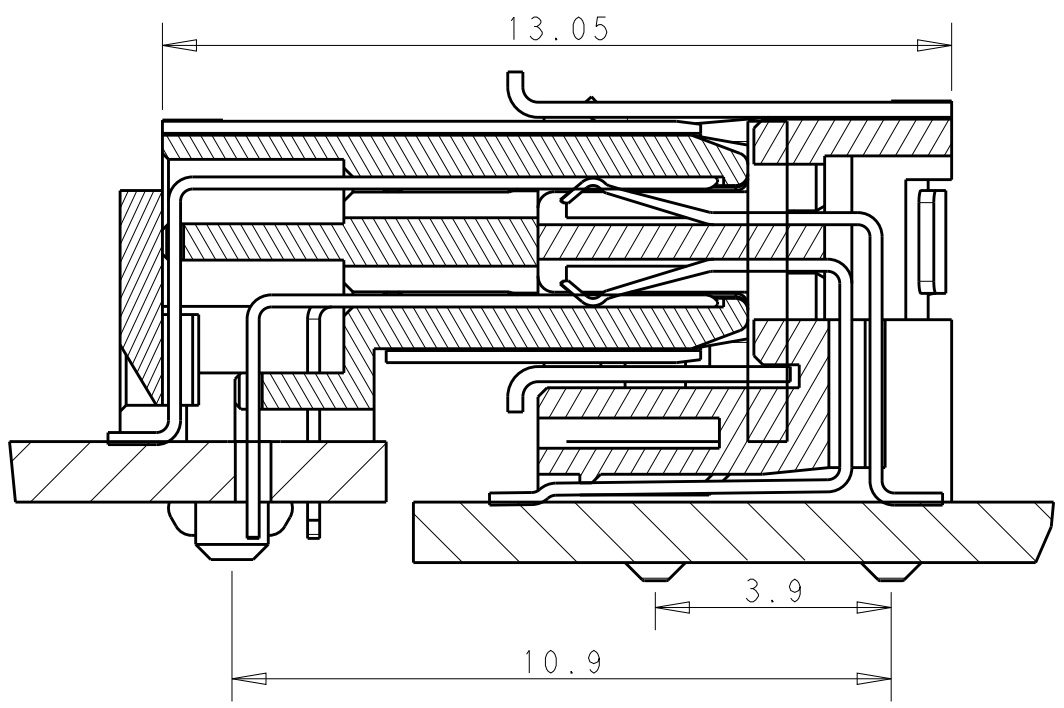
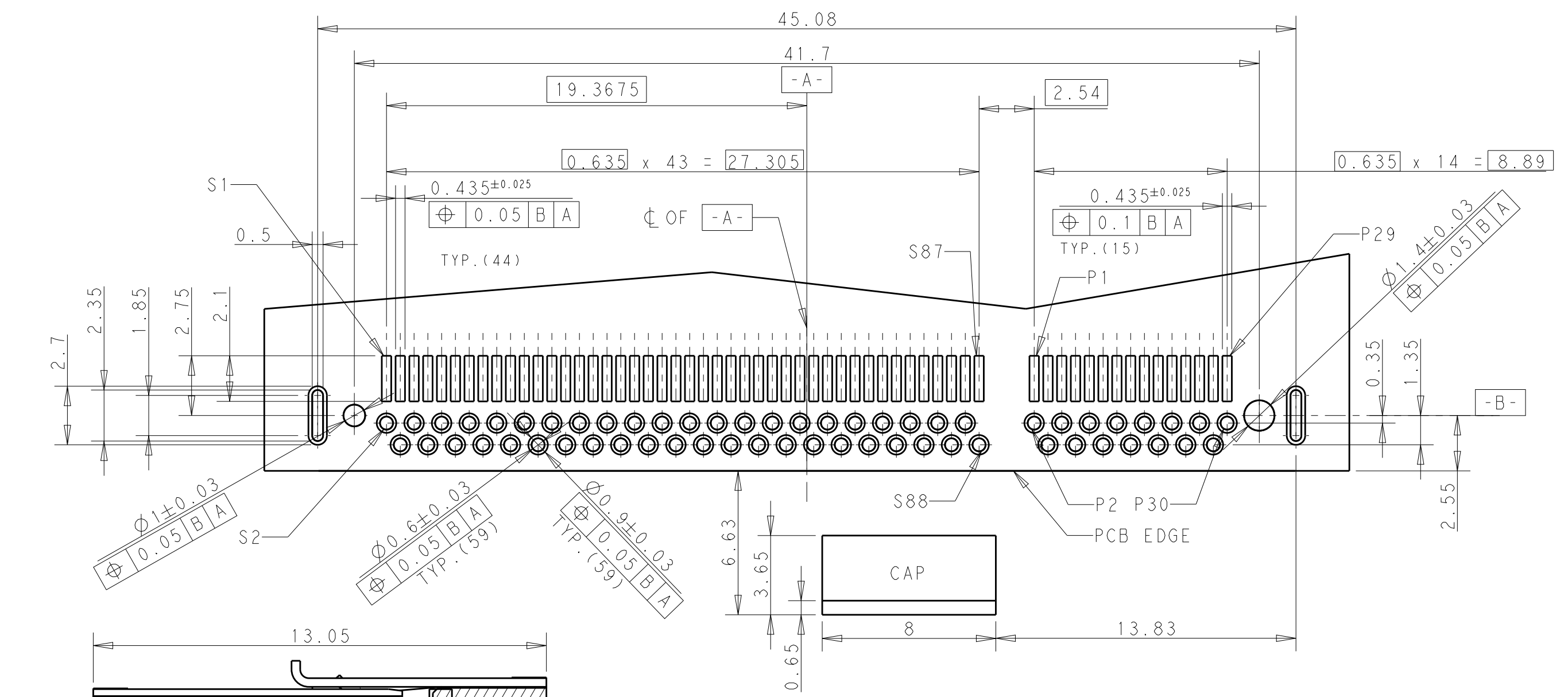


SECTION A-A  
SCALE 7:1

THIS DRAWING IS A CONTROLLED DOCUMENT.		DWN SIMON LI	5AGU2011	 TE Connectivity	
DIMENSIONS: mm		CHK SIMON LI	5AGU2011		
TOLERANCES UNLESS OTHERWISE SPECIFIED:		APVD COREI WANG	5AGU2011	NAME PLUG ASSEMBLY 0.635mm PITCH 118 PIN BAY CONNECTOR	
0 PLC ±		PRODUCT SPEC		SIZE	
1 PLC ±		APPLICATION SPEC		CAGE CODE	
2 PLC ± ±0.25		WEIGHT		DRAWING NO	
3 PLC ± ±3°		CUSTOMER DRAWING		A300779	
4 PLC ±		SCALE 1:1		SHEET 2 OF 4	
ANGLES ±		REV A		RESTRICTED TO	
FINISH		SCALE 1:1		REV A	

THIS DRAWING IS UNPUBLISHED. RELEASED FOR PUBLICATION 20  
 © COPYRIGHT 20 BY - ALL RIGHTS RESERVED.

LOC		DIST		REVISIONS		
P	LTR	DESCRIPTION	DATE	DWN	APVD	
-	-					



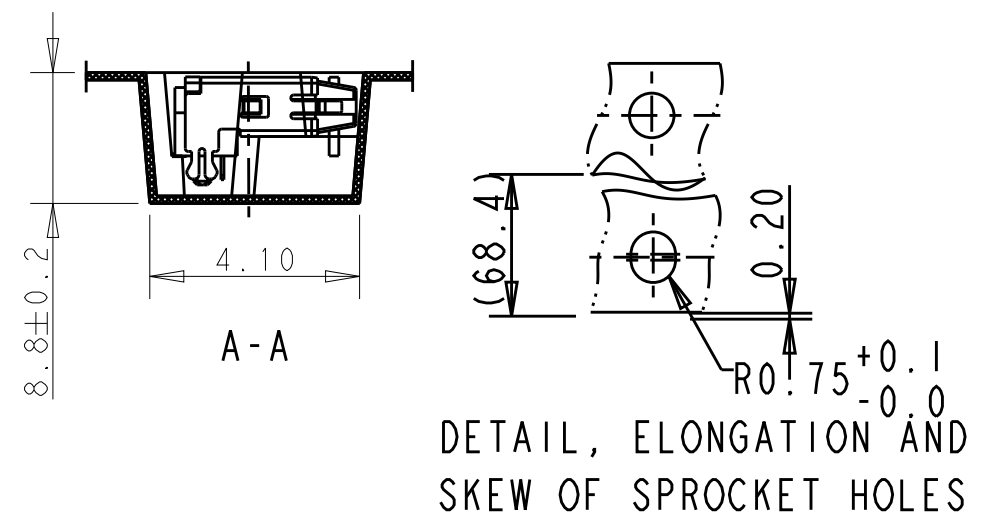
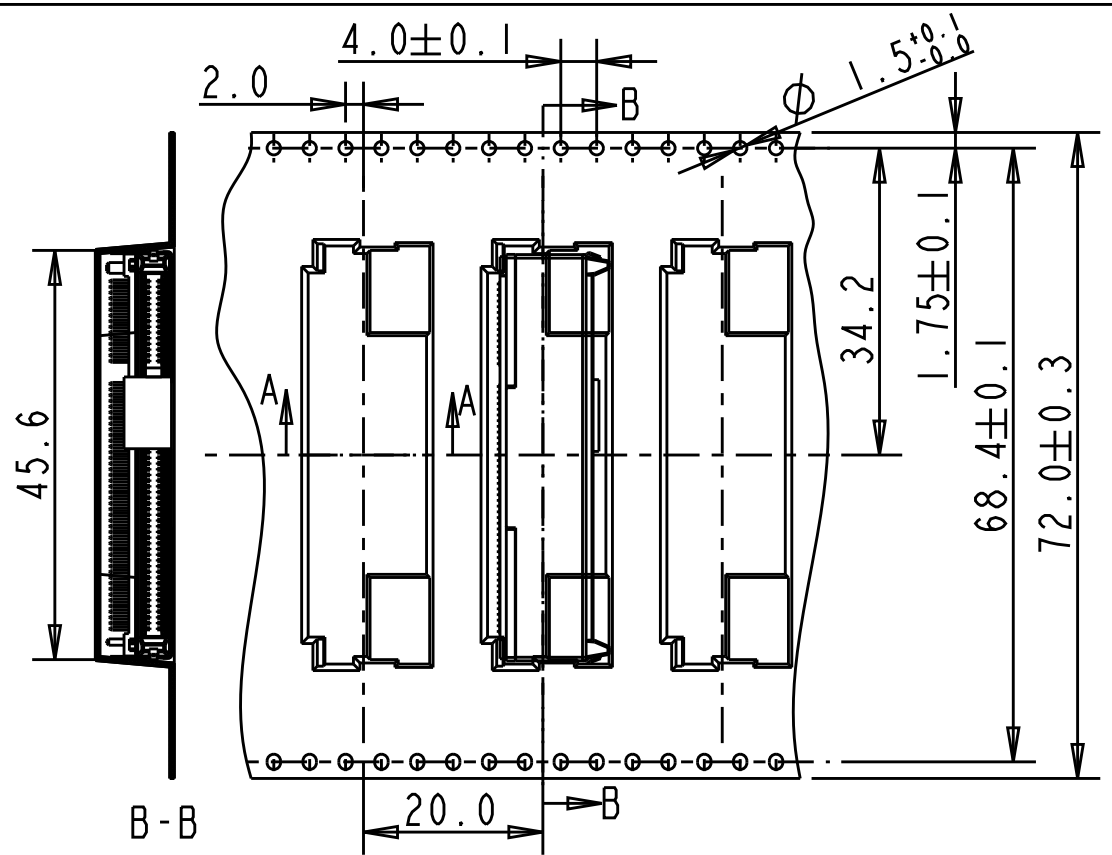
SECTION A-A  
SCALE 8:1

SCALE 5:1

THIS DRAWING IS A CONTROLLED DOCUMENT.		DWN SIMON LI 5AGU2011	TE Connectivity	
		CHK SIMON LI 5AGU2011		
		APVD COREI WANG 5AGU2011	NAME	
		PRODUCT SPEC	PLUG ASSEMBLY	
		APPLICATION SPEC	0.635mm PITCH 118 PIN BAY CONNECTOR	
		WEIGHT	SIZE A3	RESTRICTED TO
		CUSTOMER DRAWING	CAGE CODE 00779	
			DRAWING NO. C-2199015	
			SCALE 1:1	
			SHEET 3 OF 4	
			REV A	

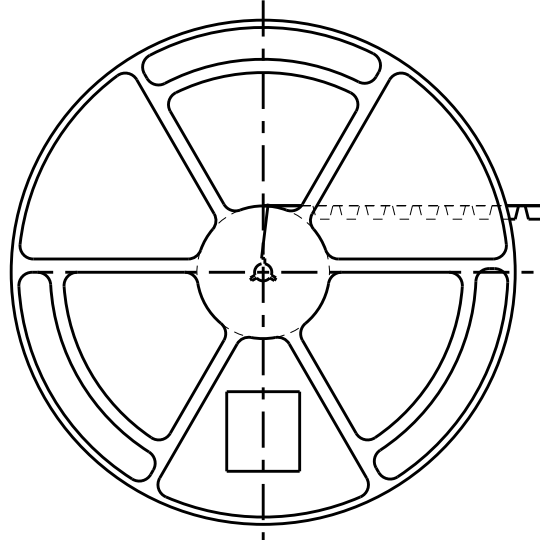
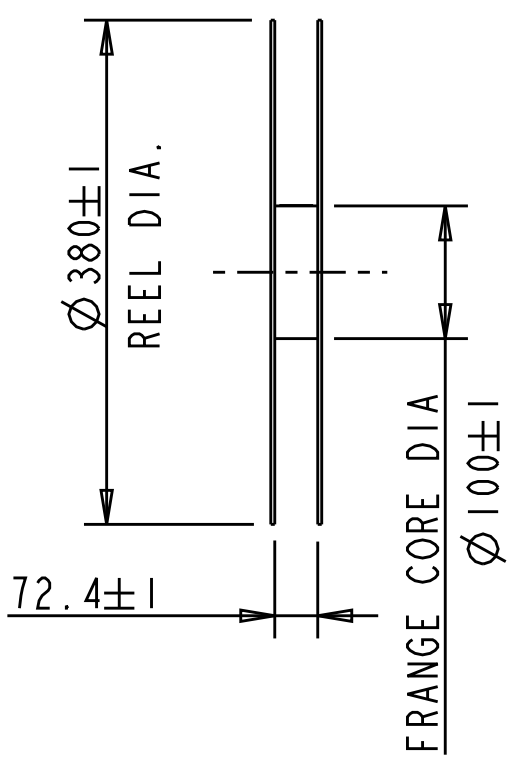
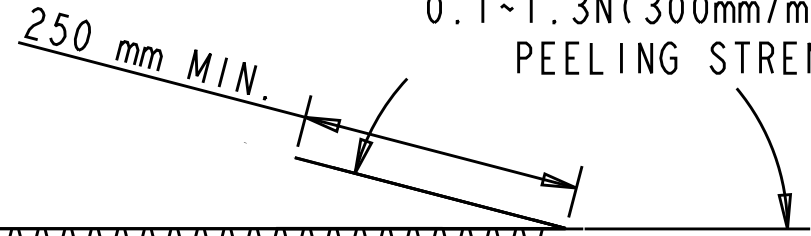
THIS DRAWING IS UNPUBLISHED. RELEASED FOR PUBLICATION 20  
 © COPYRIGHT 20 BY - ALL RIGHTS RESERVED.

LOC		DIST		REVISIONS			
P	LTR	DESCRIPTION	DATE	DWN	APVD		
-	-						



USER DIRECTION OF UNREELING →

165°~180°  
PEELING ANGLE  
0.1~1.3N(300mm/min±10%)  
PEELING STRENGTH



300mm MIN. WITHOUT CHARGE SEALED WITH COVER TAPE  
 WITH PRODUCT CHARGE 650 PCS/IREEL  
 300mm MIN. WITHOUT CHARGE SEALED WITH COVER TAPE

THIS DRAWING IS A CONTROLLED DOCUMENT.		DWN SIMON LI 5AGU2011	TE Connectivity	
DIMENSIONS: mm		CHK SIMON LI 5AGU2011		
TOLERANCES UNLESS OTHERWISE SPECIFIED:		APVD COREI WANG 5AGU2011	NAME PLUG ASSEMBLY	
0 PLC ±-		PRODUCT SPEC -	0.635mm PITCH 118 PIN BAY CONNECTOR	
1 PLC ±-		APPLICATION SPEC -	SIZE A3	CAGE CODE 00779
2 PLC ±-		WEIGHT -	DRAWING NO. C-2199015	
3 PLC ±-		CUSTOMER DRAWING	SCALE 1:1	SHEET 4 OF 4
4 PLC ±-				REV A
ANGLES ±-				
FINISH -				
MATERIAL -				

## X-ON Electronics

Largest Supplier of Electrical and Electronic Components

*Click to view similar products for [I/O Connectors](#) category:*

*Click to view products by [TE Connectivity](#) manufacturer:*

Other Similar products are found below :

[571763P](#) [58098-0628](#) [61-168618-12P](#) [D38999/20FJ24PA L/C](#) [D38999/20FJ29SB L/C](#) [D38999/24FG11SN L/C](#) [72.250.1628.2](#) [72.250.2428.2](#)  
[74720-0505](#) [76.350.0729.0](#) [76871-1403](#) [FCN-244F080-G/1](#) [FCN-260A9920](#) [FCN-268D024-G/2F#10X-R10](#) [PCS-E50FA](#) [PCS-XE26LKA](#)  
[PCS-XE26MA+](#) [PCS-XES68MS+](#) [G38A71314B](#) [91-569719-35R](#) [9776-18-6](#) [DX40-50P\(55\)](#) [1571250010](#) [157-22500-3](#) [MS3476W12-10S](#)  
[L/C](#) [1888020-8](#) [91-569786-35H](#) [91-569786-35M](#) [91-644626-35P](#) [172501-4002](#) [172501-6002](#) [FCN-260C008-A/L0](#) [FCN-260C024-AL0](#)  
[FCN-261Z008](#) [FCN-268D008-G/1K](#) [2000314-1](#) [200331-1](#) [2007498-2](#) [PCR-E28LMDAG1+](#) [PCR-E36FC+](#) [PCS-E28FS+](#) [PCS-XE26SLFD+](#)  
[PCS-XE26SLFDT+](#) [G38A71214B](#) [HDRA-E68W1LFDTC-SL+](#) [HDR-E14MSG1+](#) [R88A-CNK81S](#) [CRT1-ATT02](#) [54182-0605](#)  
[U90B2054081210](#)