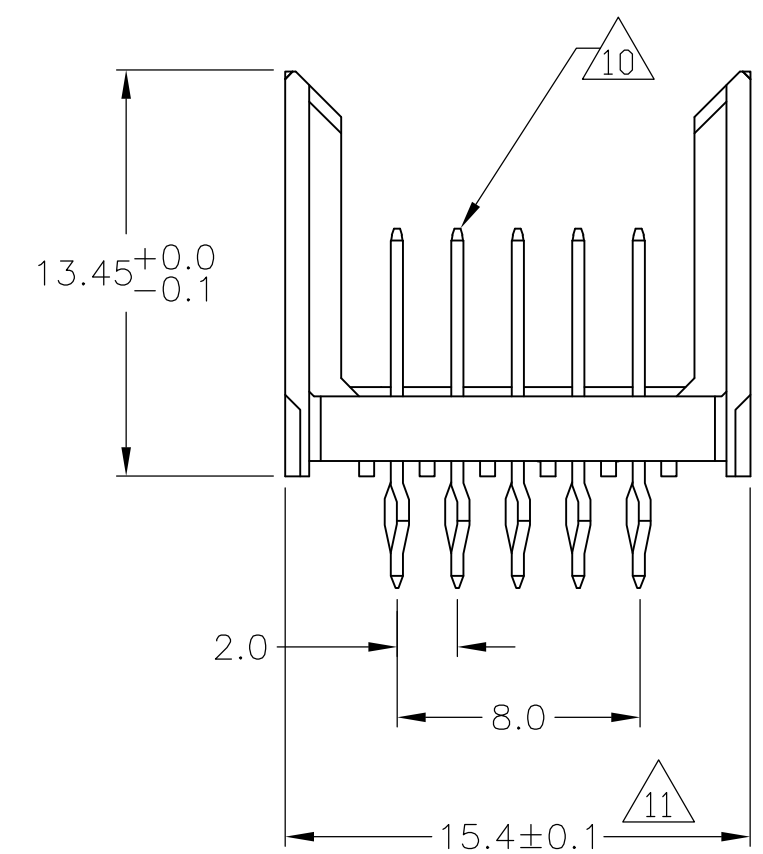
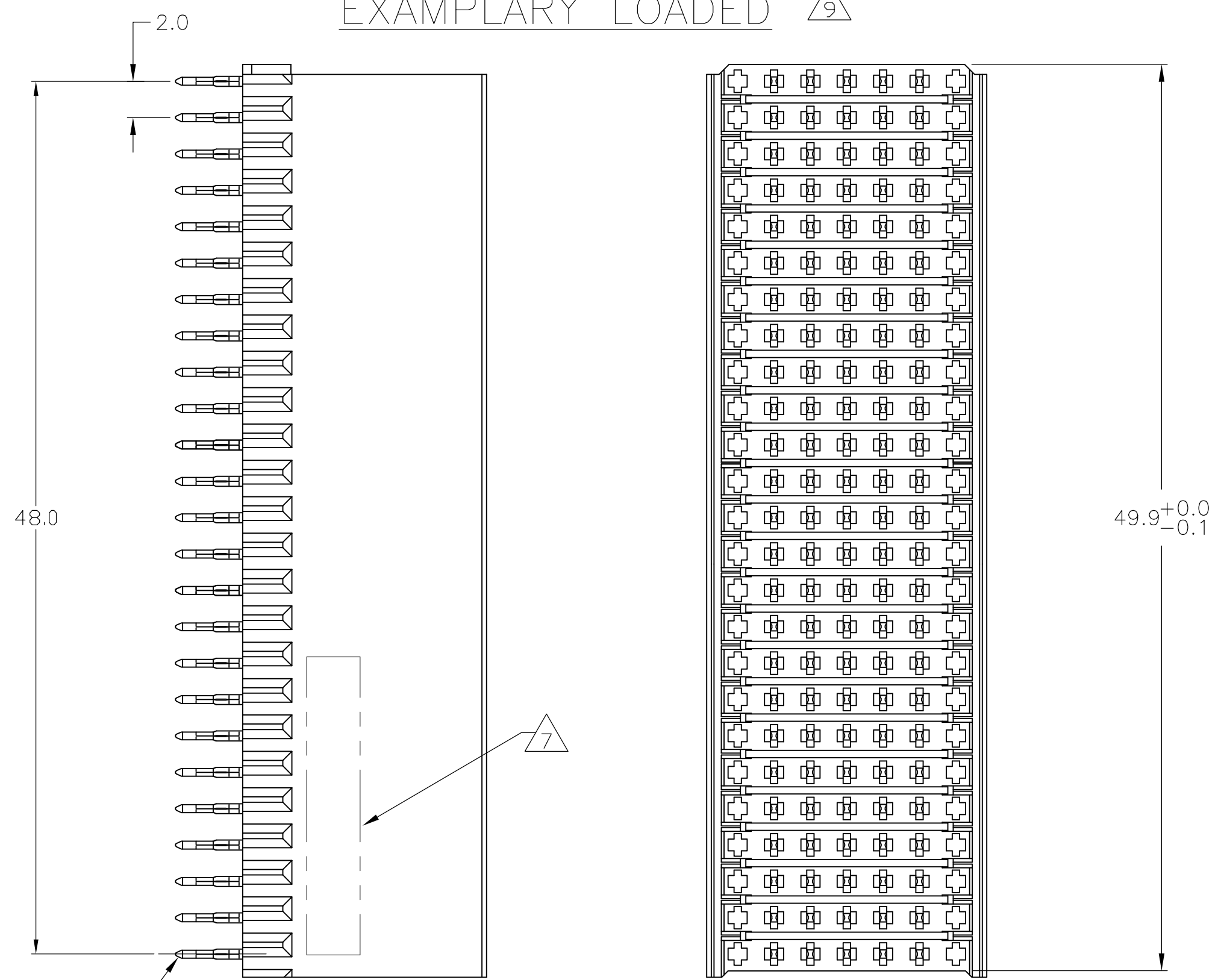
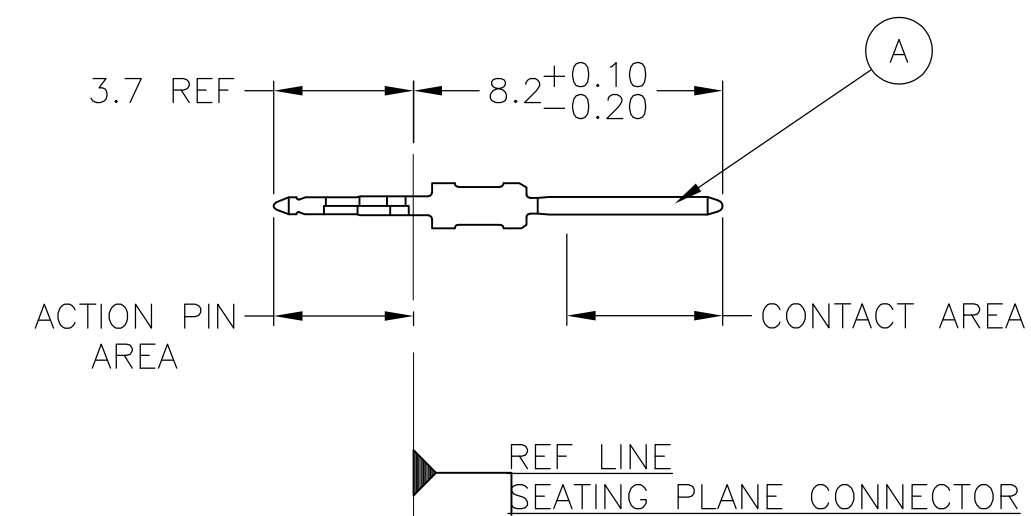


CONNECTOR ASSEMBLY EXAMPLARY LOADED



CONTACT DIMENSIONS

SCALE 5:1



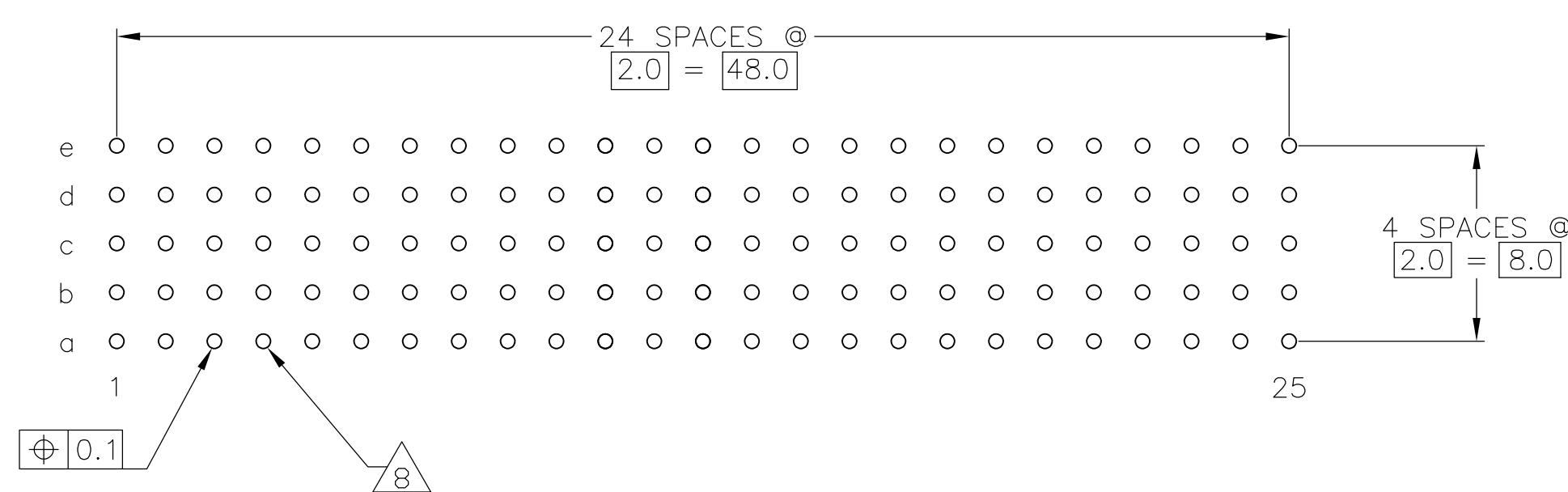
CONTACT LAYOUT

| | z | a | b | c | d | e | f |
|----|---|---|---|---|---|---|---|
| 1 | | A | A | A | A | A | |
| 2 | | A | A | A | A | A | |
| 3 | | A | A | A | A | A | |
| 4 | | A | A | A | A | A | |
| 5 | | A | A | A | A | A | |
| 6 | | A | A | A | A | A | |
| 7 | | A | A | A | A | A | |
| 8 | | A | A | A | A | A | |
| 9 | | A | A | A | A | A | |
| 10 | | A | A | A | A | A | |
| 11 | | A | A | A | A | A | |
| 12 | | A | A | A | A | A | |
| 13 | | A | A | A | A | A | |
| 14 | | A | A | A | A | A | |
| 15 | | A | A | A | A | A | |
| 16 | | A | A | A | A | A | |
| 17 | | A | A | A | A | A | |
| 18 | | A | A | A | A | A | |
| 19 | | A | A | A | A | A | |
| 20 | | A | A | A | A | A | |
| 21 | | A | A | A | A | A | |
| 22 | | A | A | A | A | A | |
| 23 | | A | A | A | A | A | |
| 24 | | A | A | A | A | A | |
| 25 | | A | A | A | A | A | |

RECOMMENDED PCB-HOLE LAYOUT COMPONENT SIDE SHOWN

PLATED THRU HOLES PARAMETERS

REFERENCE APPLICATION SPECIFICATION




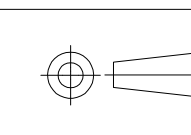
| | | |
|----------|--------|-------------|
| OBSOLETE | 2 3 14 | 3-5100141-0 |
| | 2 6 12 | +-5100141-9 |
| | 2 5 12 | 5100141-9 |
| | 2 4 | 5100141-4 |
| | 2 3 | 5100141-1 |
| FINISH | | PART NUMBER |

| DIMENSIONS: | | TOLERANCES UNLESS OTHERWISE SPECIFIED: | | NAME | |
|-------------|--|--|-----------|--------------------------------------|--|
| mm | | 0-PLC | ±0.2 | TE Connectivity | |
| | | 1-PLC | ±0.1 | MALE ASSEMBLY, Z-PACK 2mm HM, TYPE B | |
| | | 2-PLC | ±0.1 | 108-19082 | |
| | | 3-PLC | ±0.1 | 114-19029 | |
| | | 4-PLC | ±0.1 | A1 00779 ©=5100141 | |
| | | ANGLES | ± | CUSTOMER DRAWING | |
| | | FINISH | SEE TABLE | SCALE 4:1 SHEET 1 OF 2 REV C1 | |

THIS DRAWING IS UNPUBLISHED. RELEASED FOR PUBLICATION
 © COPYRIGHT - By - ALL RIGHTS RESERVED.

| LOC | | DIST | | REVISIONS | | | |
|-----|-----|-------------|------|-----------|------|--|--|
| P | LTR | DESCRIPTION | DATE | DWN | APVD | | |
| AD | 00 | | | | | | |
| | | SEE SHEET 1 | | | | | |

- 1 MATERIAL:
CONTACT: PHOSPHOR BRONZE.
HOUSING: GLASS-FILLED POLYESTER.
- 2 GENERAL PLATING SPECIFICATION: UNDERPLATING
(ENTIRE CONTACT): 1.27µm MIN NICKEL AND ACTION
PIN: 0.5µm MIN TIN.
FOR PLATING OF MATING SURFACES SEE APPLICABLE
SPECIFICATION REFERENCE FOR EACH DASH NUMBER.
- 3 CONFORMS TO ALL TESTING ACCORDING TO IEC 61076-4-101
PERFORMANCE LEVEL 2.
- 4 CONFORMS TO ALL TESTING ACCORDING TO IEC 61076-4-101
PERFORMANCE LEVEL 1.
- 5 CONNECTOR TESTED AND QUALIFIED AGAINST TELCORDIA GR-1217-CORE QUALITY LEVEL 3,
CENTRAL OFFICE APPLICATIONS.
- 6 CONNECTOR TESTED AND QUALIFIED AGAINST TELCORDIA GR-1217-CORE QUALITY LEVEL 3,
UNCONTROLLED ENVIROMENT APPLICATIONS.
- 7 CONNECTOR MARKED WITH PART NUMBER AND DATE CODE.
ADDITIONAL CHARACTERS OR MARKINGS, AS WELL AS THE LOCATION OF THE MARKINGS,
MAY BE ADDED FOR TRACEABILITY BASED UPON MANUFACTURERS DISCRETION.
- 8 PLATED-THROUGH HOLES AT 2x2mm SQUARE GRID
PATTERN DEFINED BY CONTACT LAYOUT.
- 9 FOR ACTUAL PIN LOADING SEE "CONTACT LAYOUT".
- 10 FOR ACTUAL PIN DIMENSIONS SEE "CONTACT DIMENSIONS".
- 11 TO BE MEASURED AT BOTTOM OF SHROUD.
- 12 CONNECTOR LUBRICATED WITH BELCORE APPROVED LUBRICANT,
TECHNICAL REFERENCE: TR-NWT-001217 ISSUE 1, SEP 1992.
- 13 OBSOLETE PARTS: OBSOLETE CIS STREAMLINING PER D.RENAUD/D.SINISI
- 14 0.76µm MIN. GOLD PLATING AT MATING SURFACES.

| | | | | | | |
|---|-----------------------|------------------------------|---|--------------------|-----------------------|--------------------|
| THIS DRAWING IS A CONTROLLED DOCUMENT. | | OWN B CARDO 24JAN05 |  TE Connectivity | | | |
| DIMENSIONS: mm | | CHK G SKIPPER 24JAN05 | | | | |
|  | | APVD G SKIPPER 24JAN05 | NAME MALE ASSEMBLY, Z-PACK 2mm HM, TYPE B | | | |
| TOLERANCES UNLESS OTHERWISE SPECIFIED: 0-PLG ± 0.1 1-PLG ± 0.1 2-PLG ± 0.1 3-PLG ± 0.1 4-PLG ± 0.1 ANGLES ± 0.2 | | PRODUCT SPEC 108-19082 | APPLICATION SPEC 114-19029 | | | |
| MATERIAL SEE SHEET 1 | FINISH SEE SHEET 1 | WEIGHT - | SIZE A1 | CAGE CODE 00779 | DRAWING NO 5100141 | RESTRICTED TO - |
| CUSTOMER DRAWING | | | SCALE 4:1 | SHEET 2 | OF 2 | REV C1 |

X-ON Electronics

Largest Supplier of Electrical and Electronic Components

Click to view similar products for [Headers & Wire Housings](#) category:

Click to view products by [TE Connectivity](#) manufacturer:

Other Similar products are found below :

[95000-104TRLF](#) [10135584-644402LF](#) [DF62W-EP2022PCA](#) [95000-106TRLF](#) [DF62W-2022SCA](#) [DF62W-EP2022PC](#) [2203348](#) [DF62W-2022SC](#) [1084018](#) [1029039](#) [1084017](#) [802-10-012-10-002000](#) [1112640](#) [1112639](#) [891-007-9SS-BST1T](#) [000-34000](#) [0008550134](#) [0009482033](#) [0009507031](#) [57102-F02-18ULF](#) [57102-S06-03LF](#) [57202-S52-04LF](#) [PCN6-15S-2.5E](#) [0039019024](#) [58102-G61-06LF](#) [582553-1](#) [0009485154](#) [0009508121](#) [009176003701906](#) [0022285053](#) [0050291907](#) [018731A](#) [LY20-4P-DT1-P1E-BR](#) [02.125.8002.8](#) [60101931](#) [60598-1 \(Cut Strip\)](#) [M1625-3R/100](#) [61062-3](#) [61082-181009](#) [CSU011177004](#) [636-1427](#) [638009-1](#) [641938-9](#) [641991-4](#) [644168-1](#) [644827-2](#) [647662-1](#) [65039-019ELF](#) [65692-001LF](#) [65781-018](#)