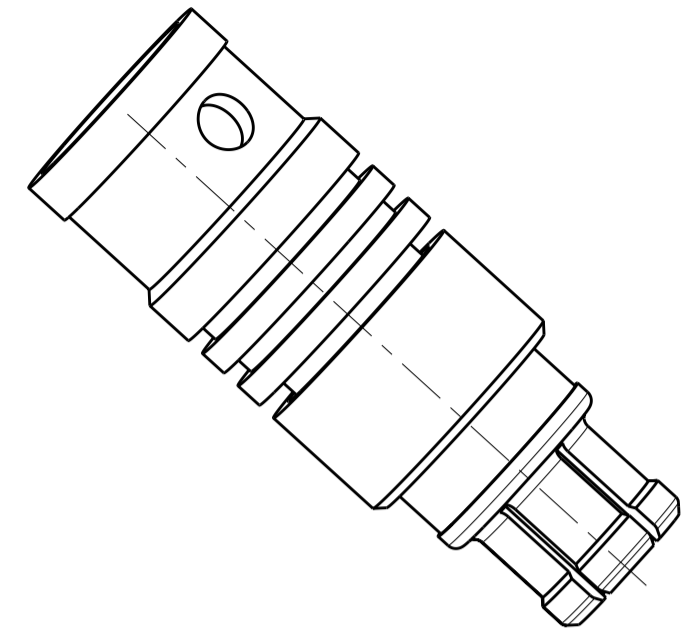


THIS DRAWING IS UNPUBLISHED. RELEASED FOR PUBLICATION
 © COPYRIGHT BY ALL RIGHTS RESERVED.

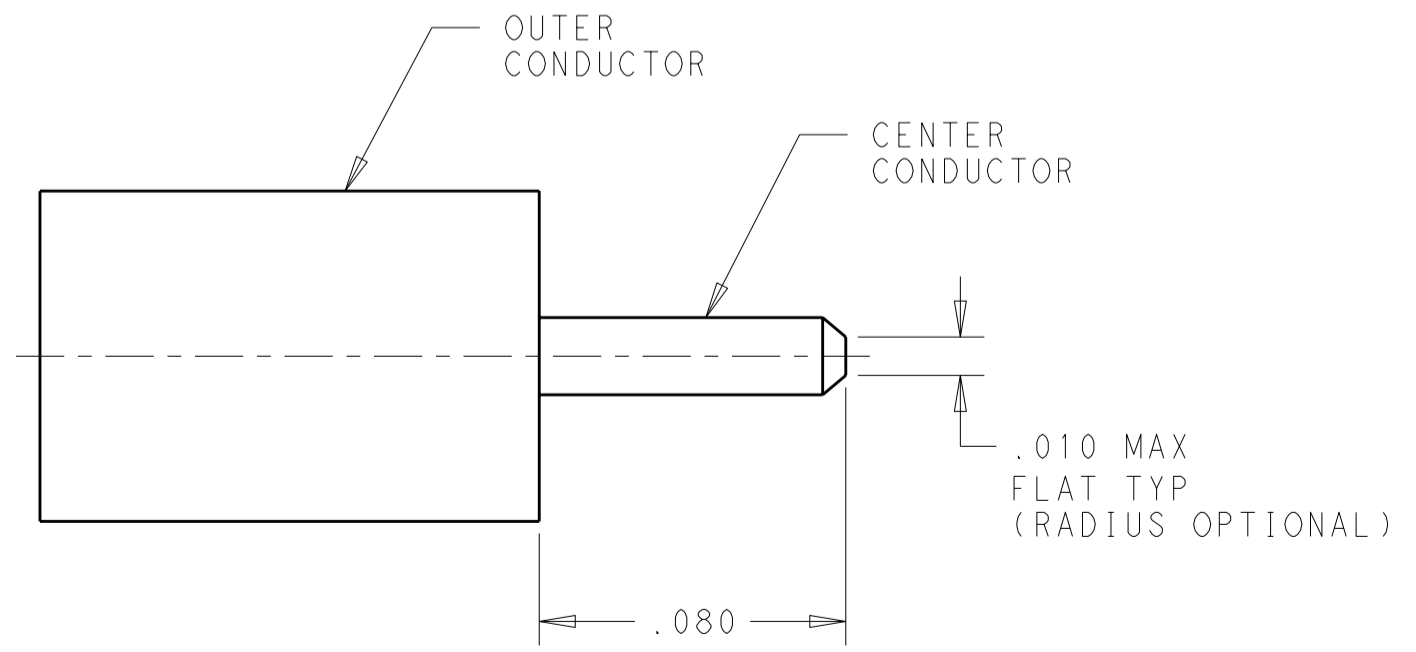
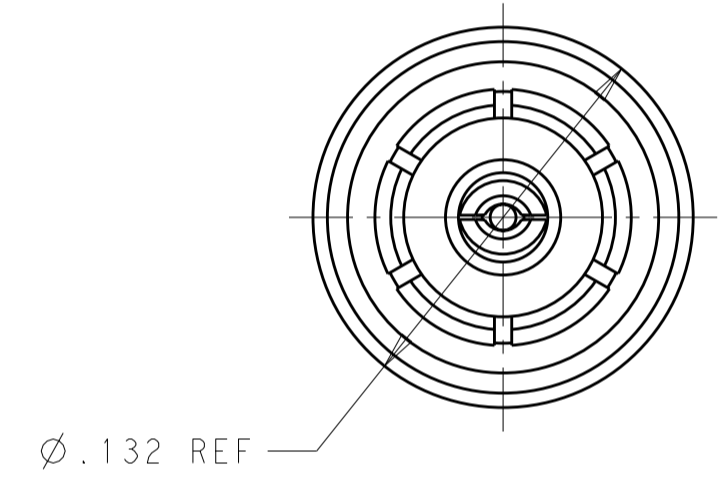
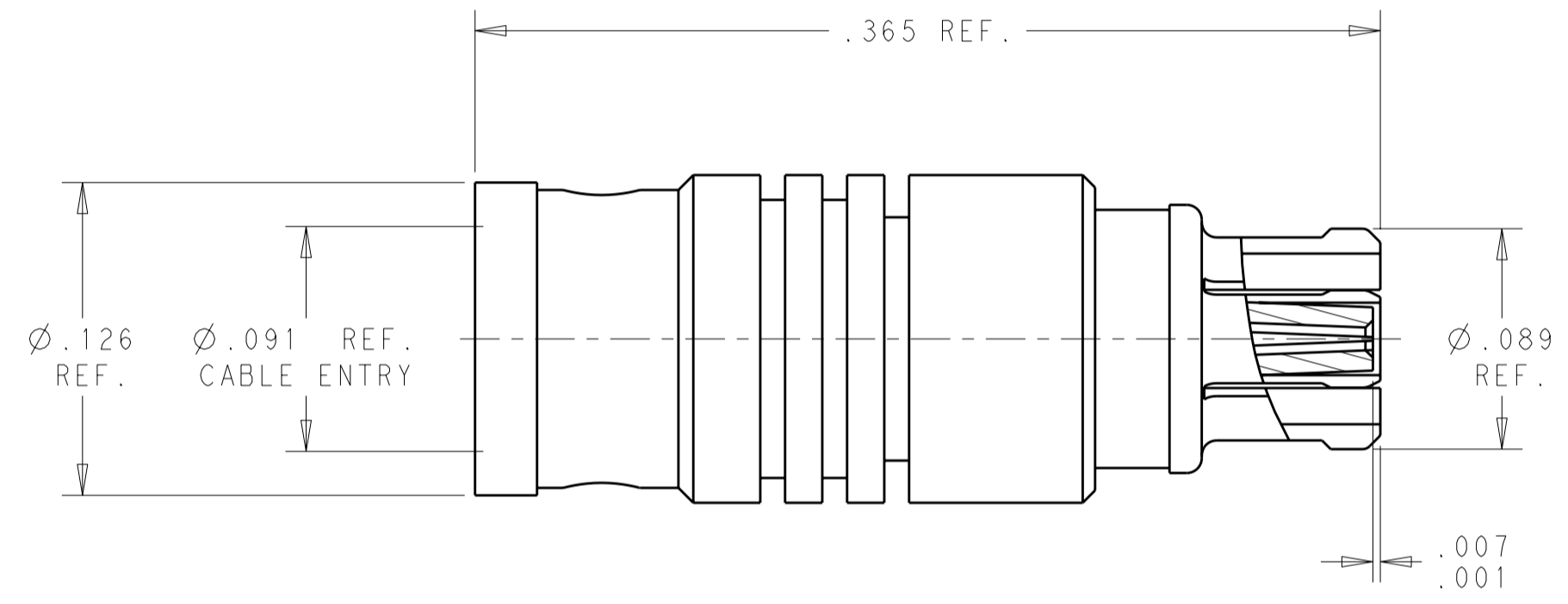
REVISIONS							
LOC	DIST	P	LTR	DESCRIPTION	DATE	DWN	APVD
-	-	C		REV PER ECO 12-008848	5-10-12	CT	WM

1 MATERIAL:
 BODY, OUTER CONTACT & CENTER CONTACT - BERYLLIUM
 COPPER ALLOY UNS C17300, CONDITION TD04, PER
 ASTM B196
 INSULATOR - TEFLON (PTFE) ROD, PER ASTM D1710

2 FINISH:
 BODY & CENTER CONTACT - GOLD PLATE PER ASTM B488,
 OVER NICKEL PLATE, PER SAE-AMS-QQ-N-290



SCALE 10:1



CABLE PREPARATION
 FOR Ø.086 SEMI-RIGID & CONFORMABLE CABLES

1996328-1
 PART
 NUMBER

THIS DRAWING IS A CONTROLLED DOCUMENT.		DWN 12SEPT2007 S. T. Morley	TE Connectivity	
DIMENSIONS: INCHES		CHK 03SEP2010 S. T. Morley		
TOLERANCES UNLESS OTHERWISE SPECIFIED:		APVD 03SEP2010 S. T. Morley	NAME SMPM STRAIGHT CABLE JACK (F) DIRECT SOLDER ATTACHMENT FOR .086 DIA, CABLES	
0 PLC ±.1		PRODUCT SPEC	SIZE	CAGE CODE
1 PLC ±.01		APPLICATION SPEC	A200779	C-1996328
2 PLC ±.005		WEIGHT	RESTRICTED TO	
3 PLC ±.0005			-	
4 PLC ±.0005			-	
ANGLES ±1.0		CUSTOMER DRAWING	SCALE 15:1	SHEET 1 OF 1
FINISH			REV C	

X-ON Electronics

Largest Supplier of Electrical and Electronic Components

Click to view similar products for [RF Connectors / Coaxial Connectors](#) category:

Click to view products by [TE Connectivity](#) manufacturer:

Other Similar products are found below :

[R125315120](#) [8915-1511-000](#) [89674-0827](#) [5916-1103-603](#) [0106-001-000](#) [6-0001-3](#) [6001-7071-019](#) [6002-7051-003](#) [6002-7551-202](#) [6059674-1](#) [619550-1](#) [630059-000](#) [M39012/25-0021](#) [M39012/79-3008](#) [M39030/3-01N](#) [M39030/3-03N](#) [M3933/25-36N](#) [6500-7071-046](#) [6501-1071-002](#) [M83723/72W2457N](#) [6769](#) [CX050L2AQ](#) [7002-1541-010](#) [7002-1572-002](#) [7003-1572-002](#) [7004-1512-000](#) [7009-1511-004](#) [7010-1511-000](#) [7029-1511-060](#) [7101-1541-010](#) [7101-1571-002](#) [7105-1521-002](#) [7145-1521-002](#) [7209-1511-011](#) [7210-1511-012](#) [7210-1511-015](#) [7210-1511-019](#) [7210-1511-040](#) [7225-1512-050](#) [7242-1511-000](#) [73137-5015](#) [73251-0111](#) [73251-0672](#) [73276-1501](#) [73366-0013](#) [73404-2300](#) [73413-6080](#) [73415-5721](#) [7405-1521-005](#) [7405-1521-802](#)