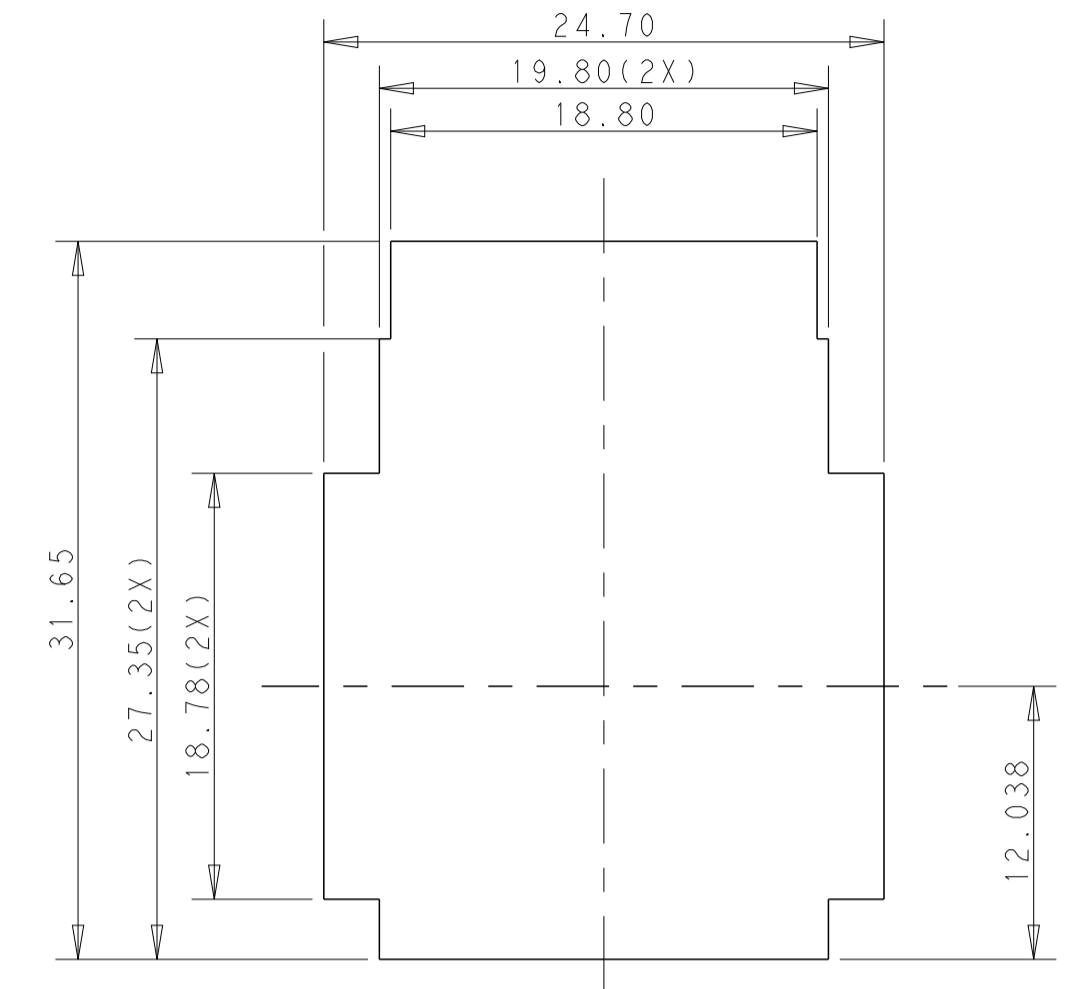
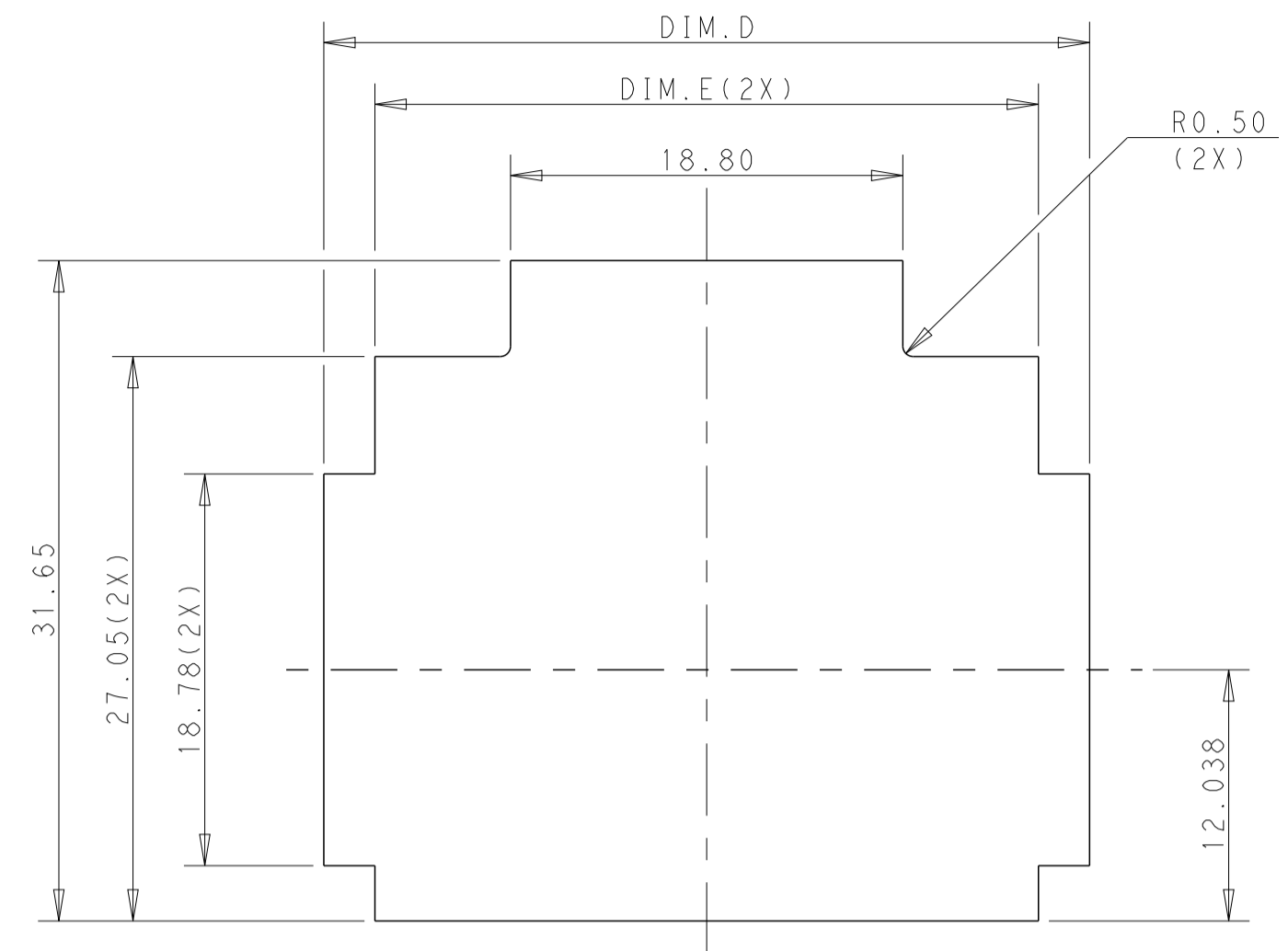
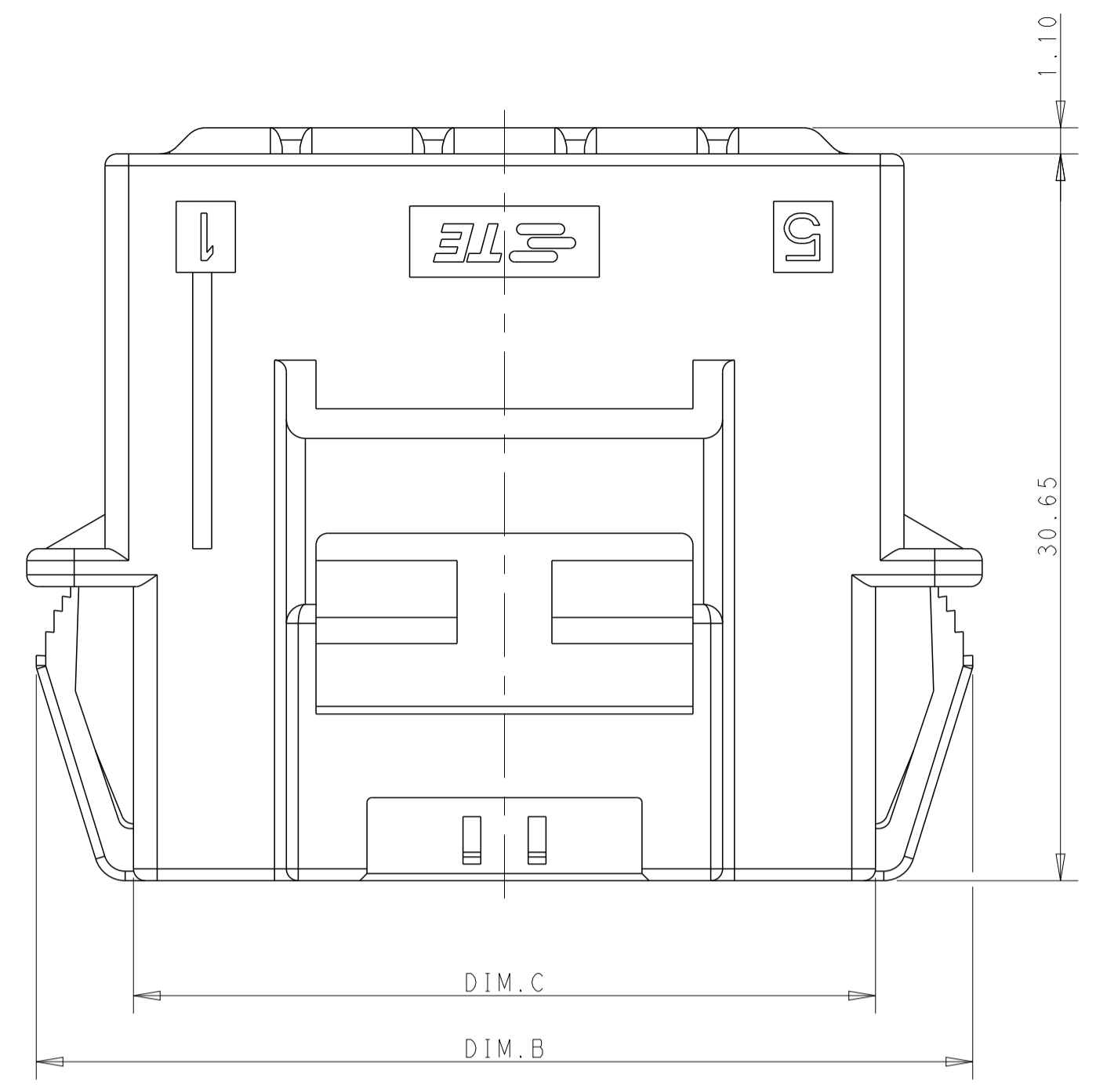
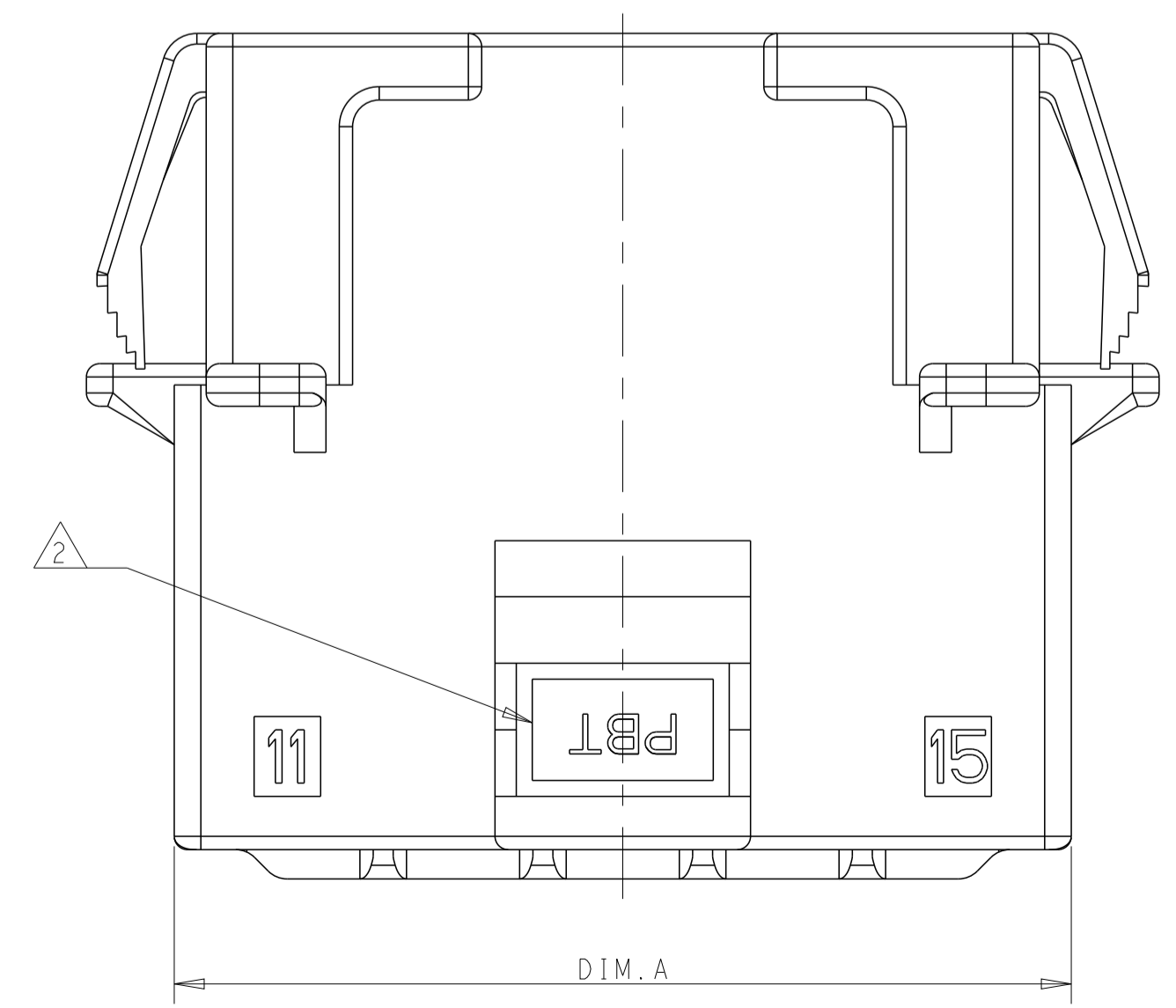
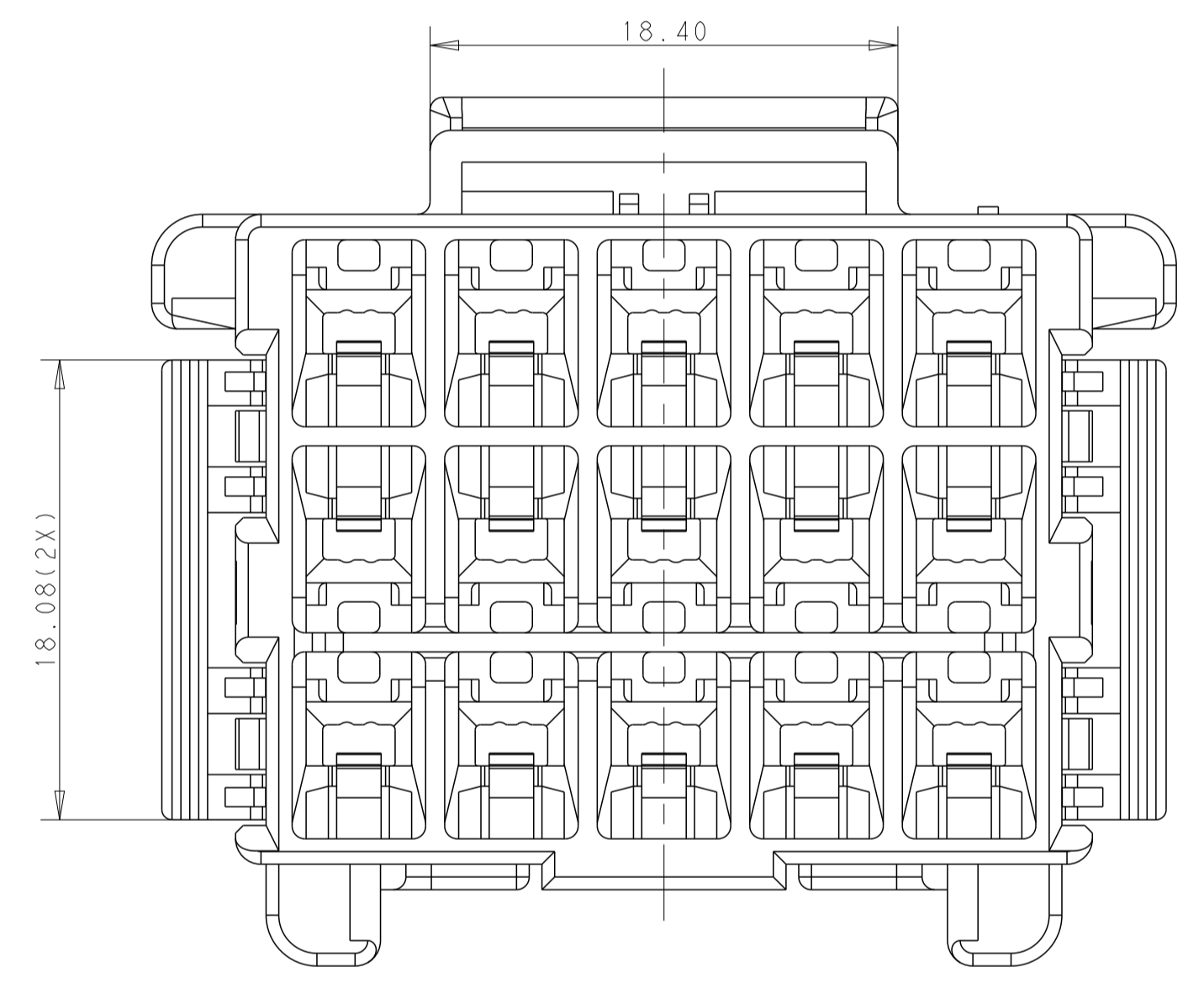
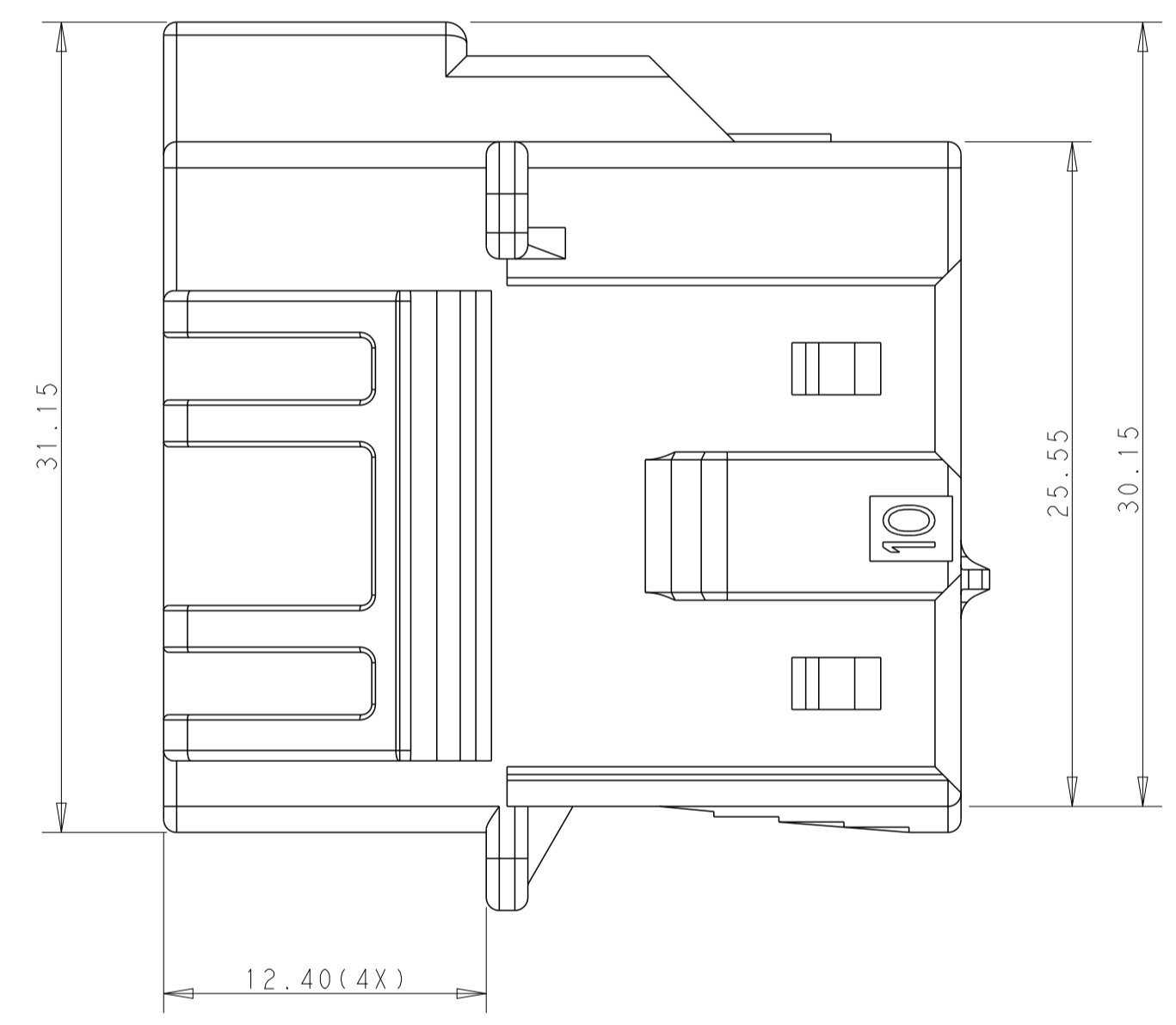
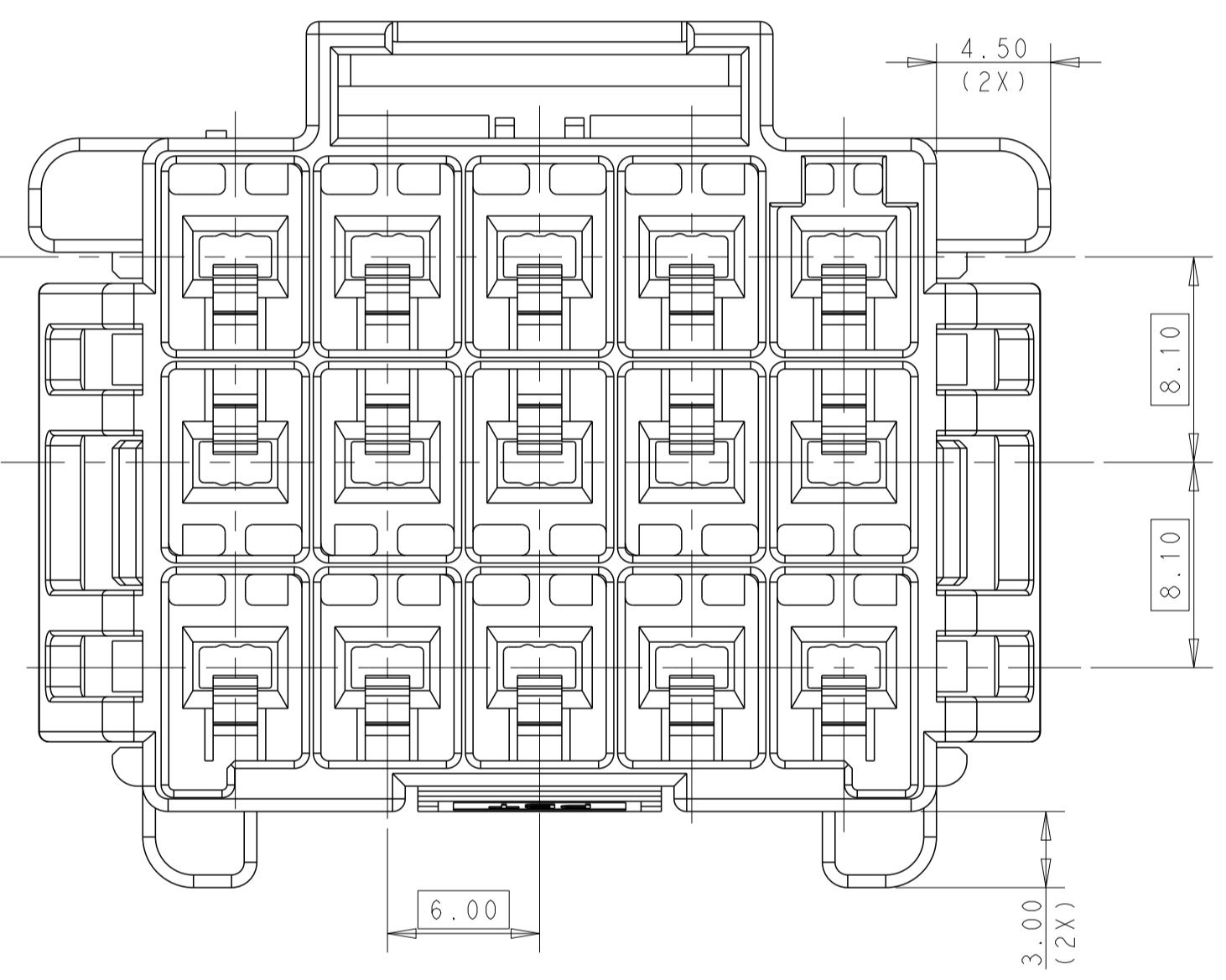


| REVISIONS | | | | |
|-----------|-----|---------------------------|-----------|-------|
| P | LTN | DESCRIPTION | DATE | APVD |
| C | | REVISED PER ECR-16-003314 | 16JUL2016 | BW GJ |



RECOMMENDED PANEL OPENING DIMENSIONS FOR CAP HOUSING 3*5 AND 3*4 POSITIONS (TOLERANCE: ±0.15mm)

RECOMMENDED PANEL OPENING DIMENSIONS FOR CAP HOUSING 3*3 POSITION (TOLERANCE: ±0.15mm)



- 1 MATERIAL:
 LEVEL 1:PBT, STANDARD TEMPERATURE 105°C
 KEY A:NATURAL; KEY B:PURPLE; KEY C:BLUE; KEY D:YELLOW

 LEVEL 2:NYLON, HIGH TEMPERATURE 150°C
 KEY A:LIGHT GREY; KEY B:RED; KEY C:BLACK; KEY D:NATURAL
- 2 MATERIAL MARK:
 LEVEL 1:PBT, LEVEL 2:HDT
- 3 APPLICABLE CONTACT P/N
 TAB CONTACT:1971238/1971780/82/84/86/88-*,2238067-*
- 4 MATING CONN, P/N
 PLUG HSG:*-1971876-*,
 TPA DOUBLE ROW:*-1971778-*,SINGLE ROW:*-1971777-*
- 5 RECOMMENDED PANEL THICKNESS:1.0-2.0mm
- 6 THIS PRODUCT HAS NOT COMPLETED VALIDATION TESTING

| POS | A | B | C | D | E |
|-----|-------|------|-------|-------|-------|
| 3*5 | 33.70 | 39.5 | 31.30 | 36.70 | 31.80 |
| 3*4 | 27.70 | 33.5 | 25.30 | 30.70 | 25.80 |
| 3*3 | 21.70 | 27.5 | 19.30 | | |

THIS DRAWING IS A CONTROLLED DOCUMENT. DWN TOMMY WU 06JUL2012
 CHK HAPYE WU 06JUL2012
 APVD YUHONG MAO 06JUL2012

TE Connectivity

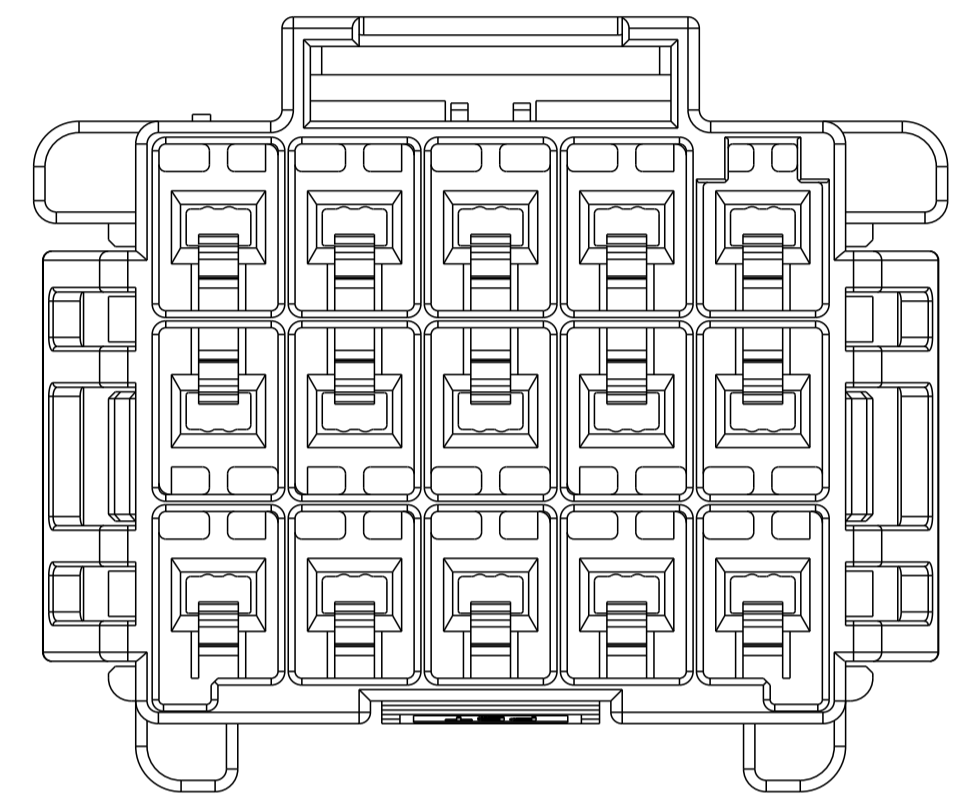
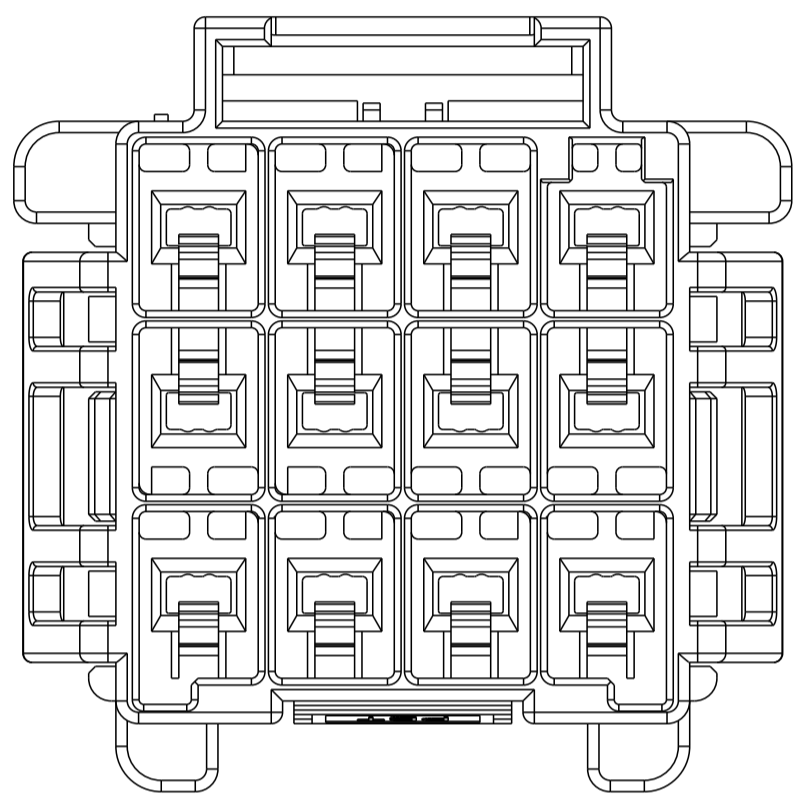
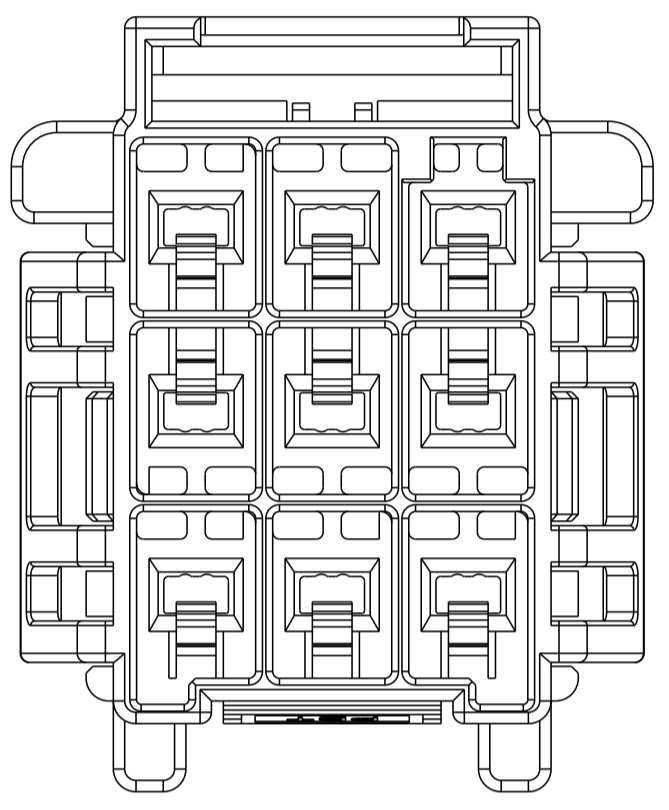
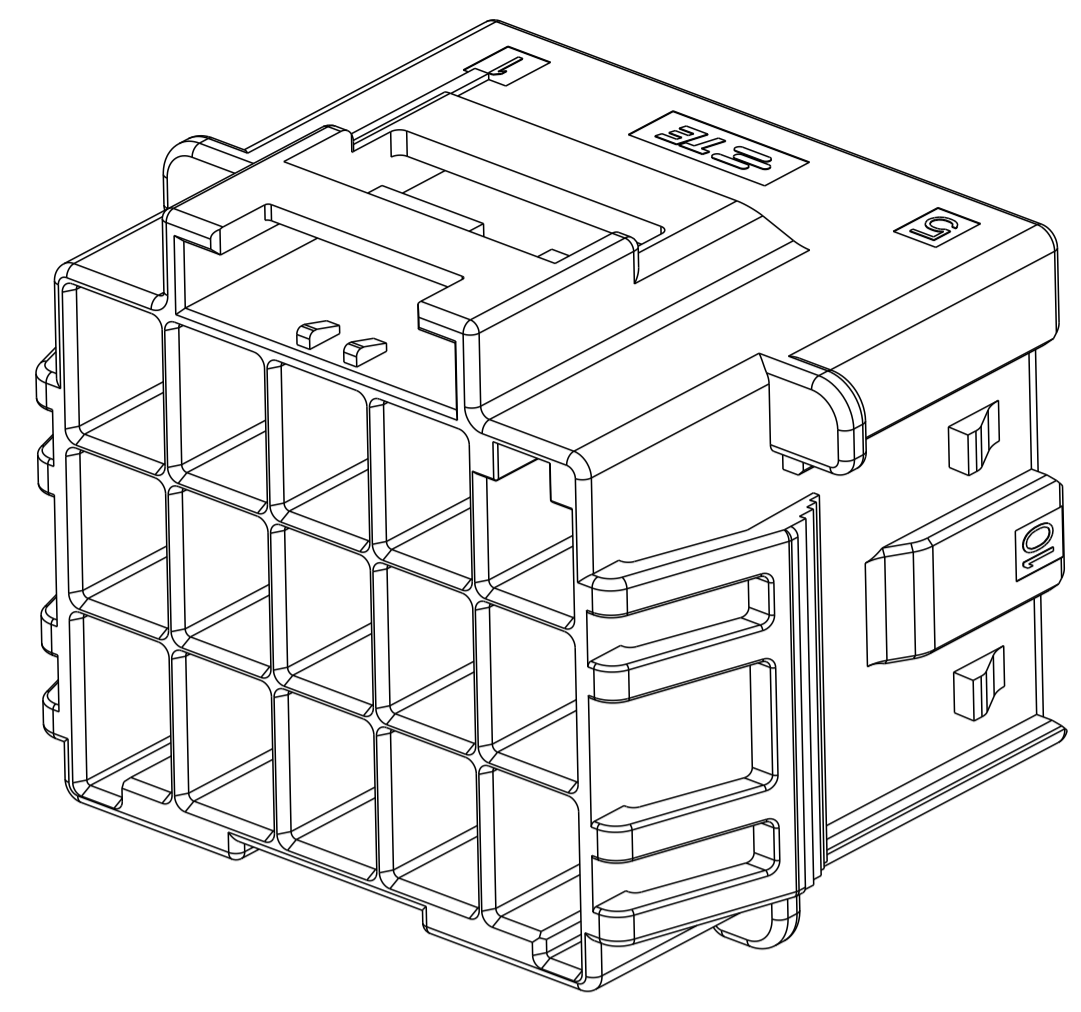
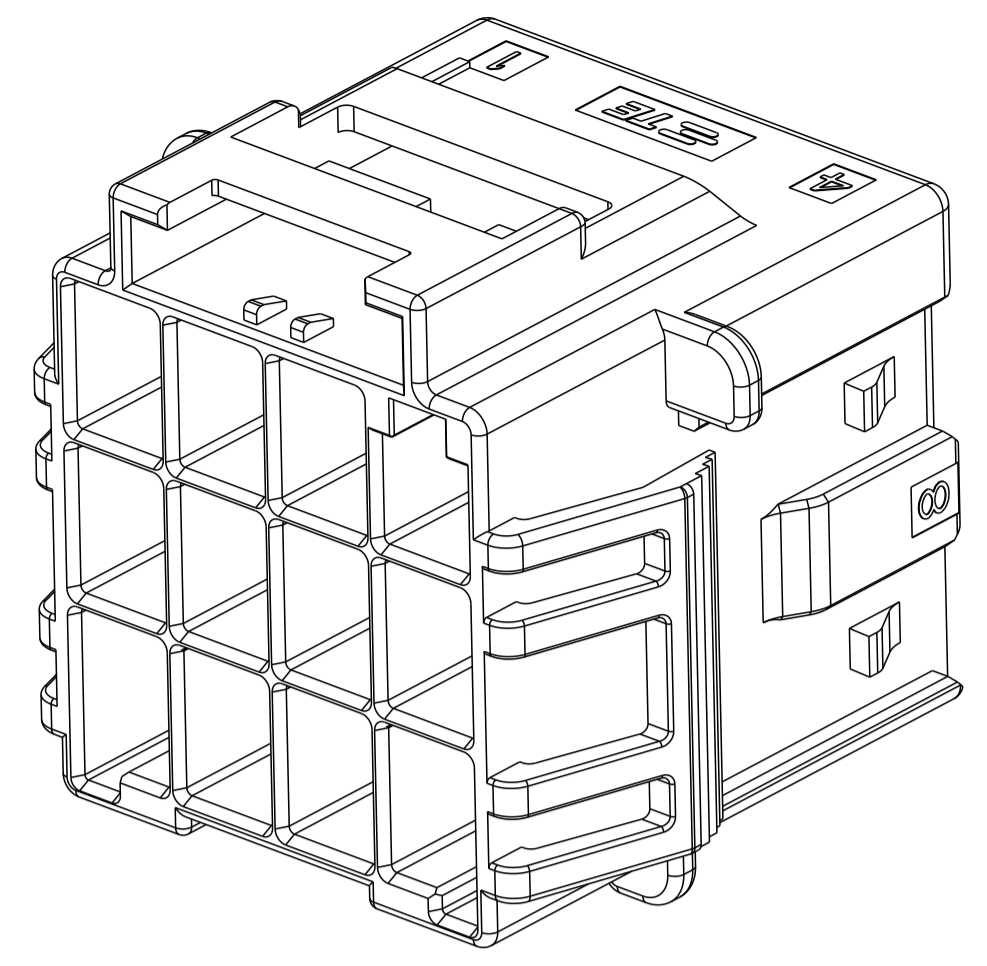
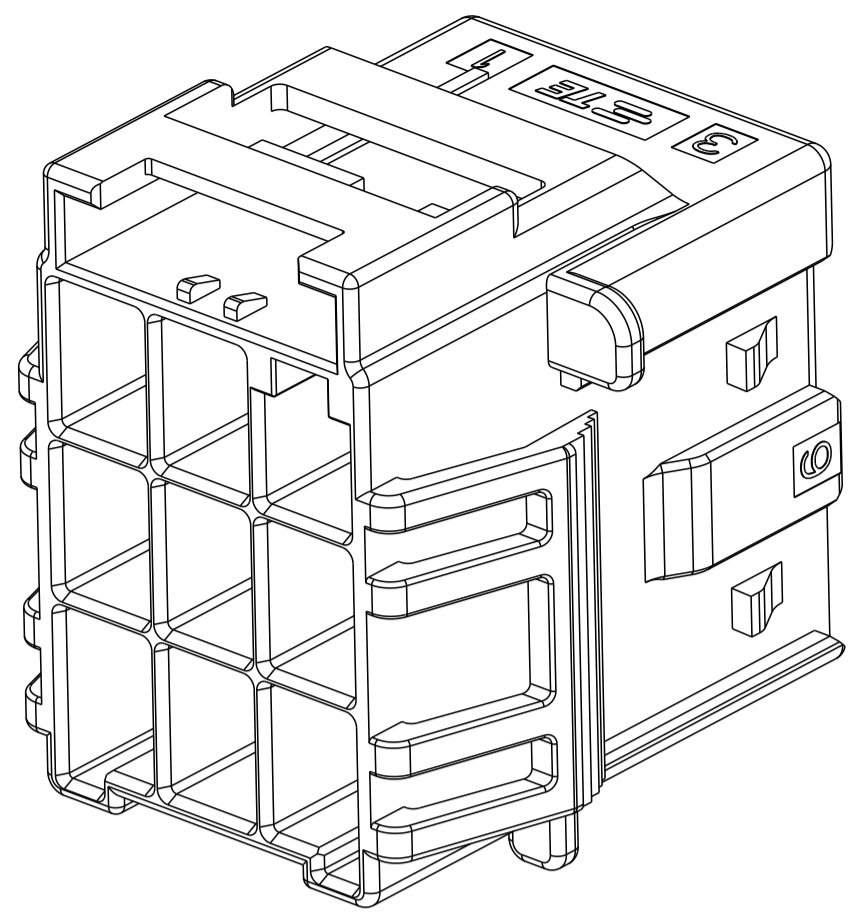
NAME: CAP HOUSING, PANEL MOUNT, TRIPLE ROW POWER TRIPLE LOCK

SIZE: A100779 C=1971875

Customer Drawing SCALE: SHEET 1 OF 2 REV C

| | |
|-------------|--|
| DIMENSIONS: | TOLERANCES UNLESS OTHERWISE SPECIFIED: |
| mm | 0 PLC ±0.35 |
| | 1 PLC ±0.25 |
| | 2 PLC ±0.25 |
| | 3 PLC ±0.25 |
| | 4 PLC ±0.25 |
| | ANGLES ±0.5 |
| MATERIAL: | FINISH: |

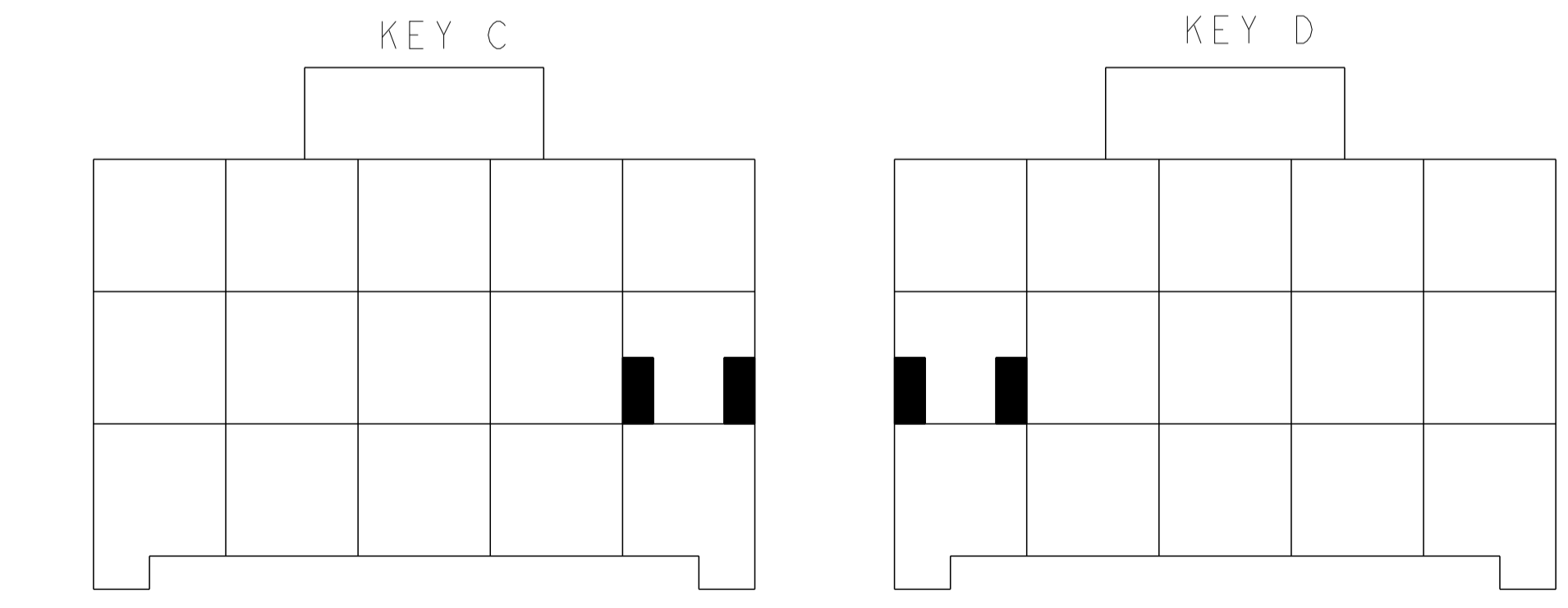
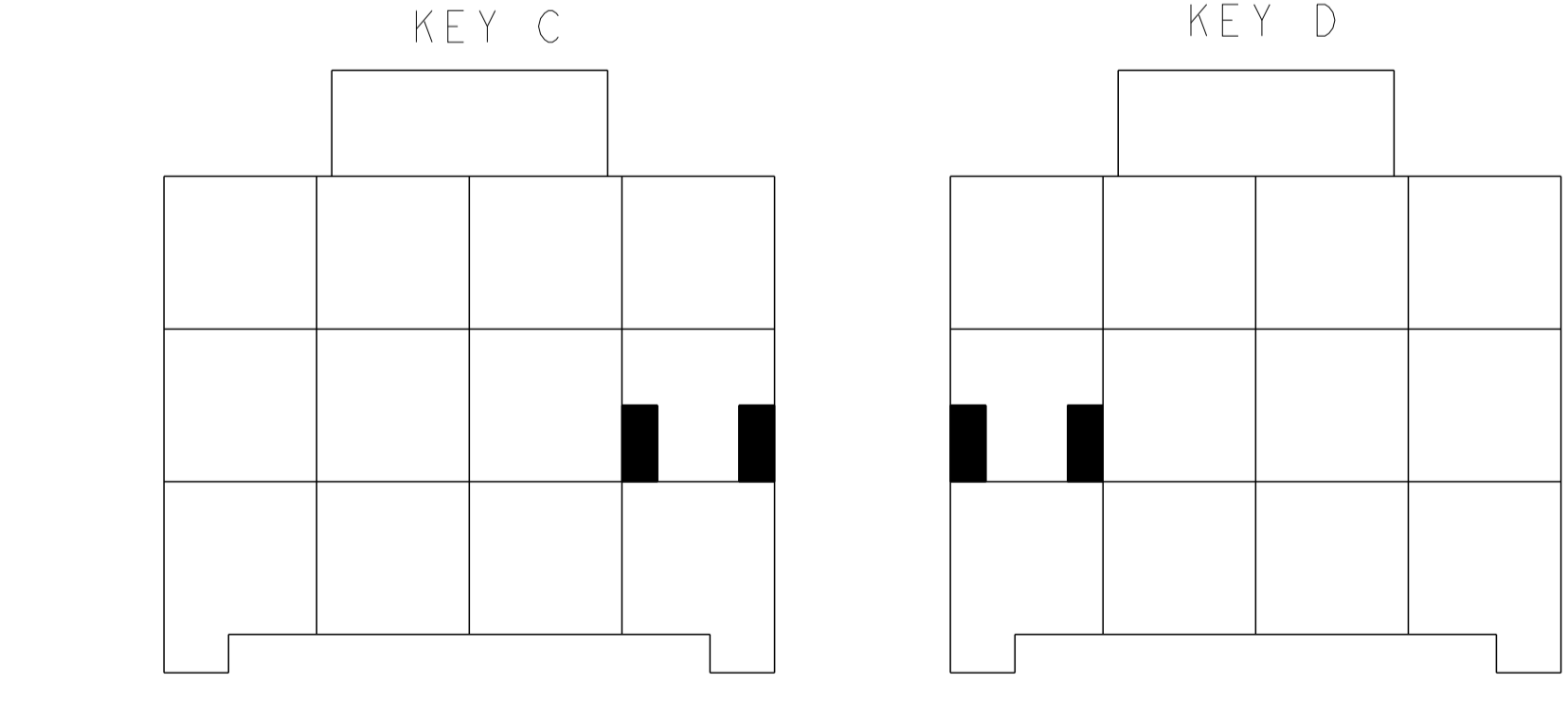
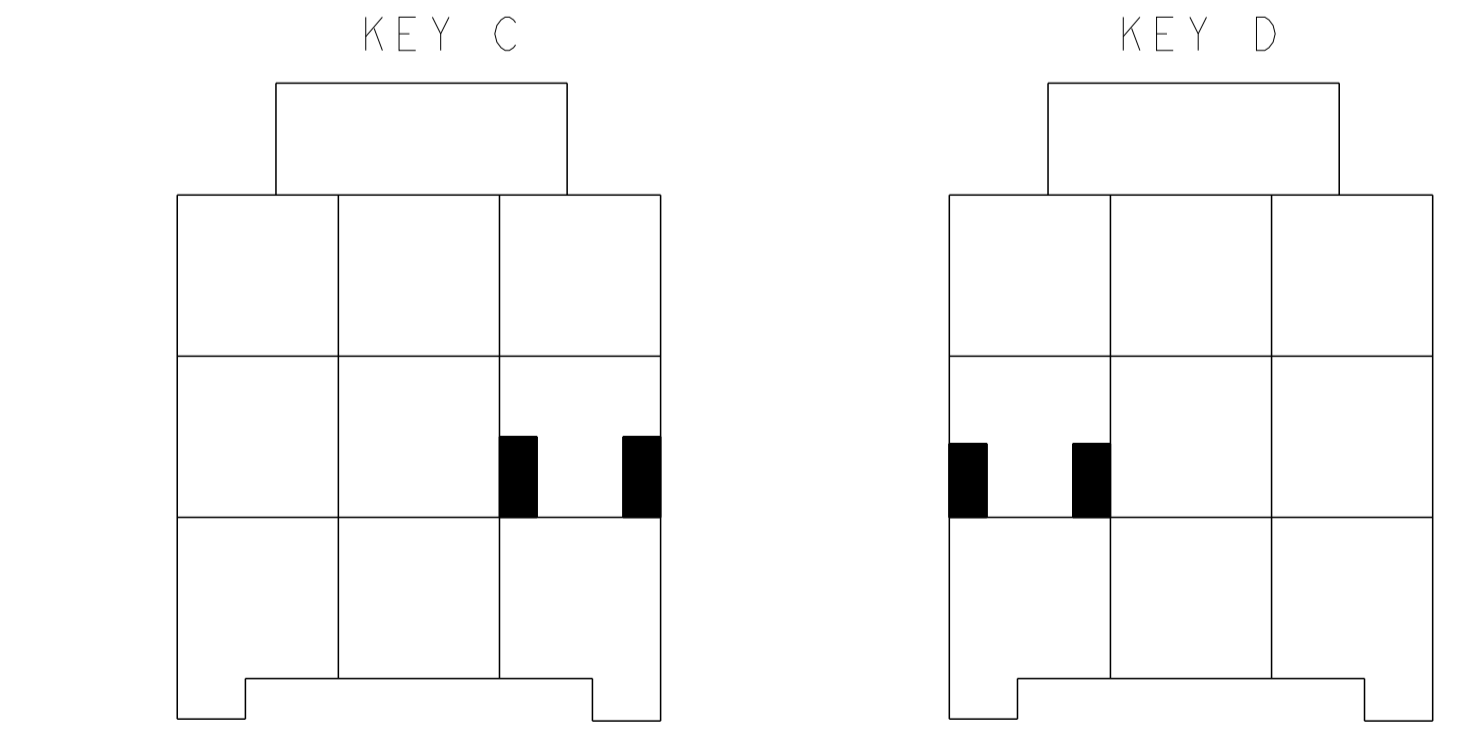
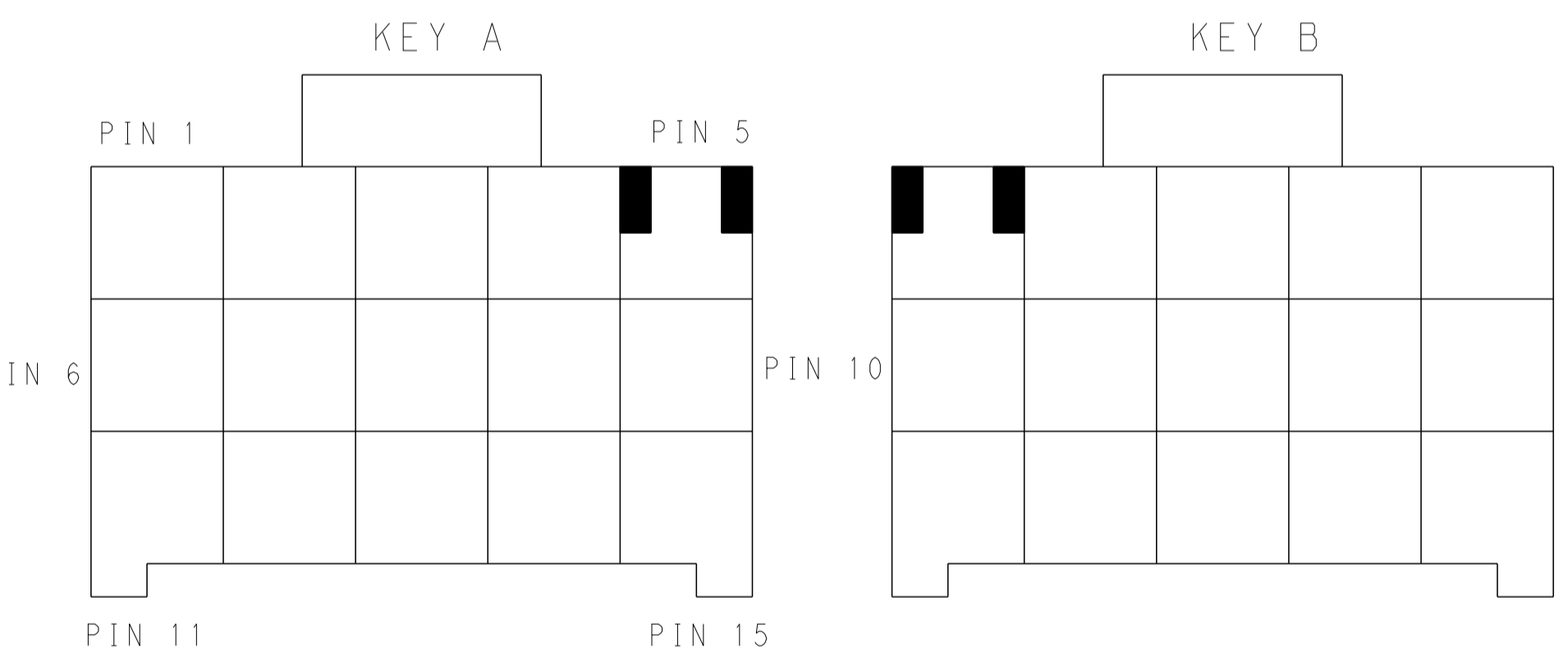
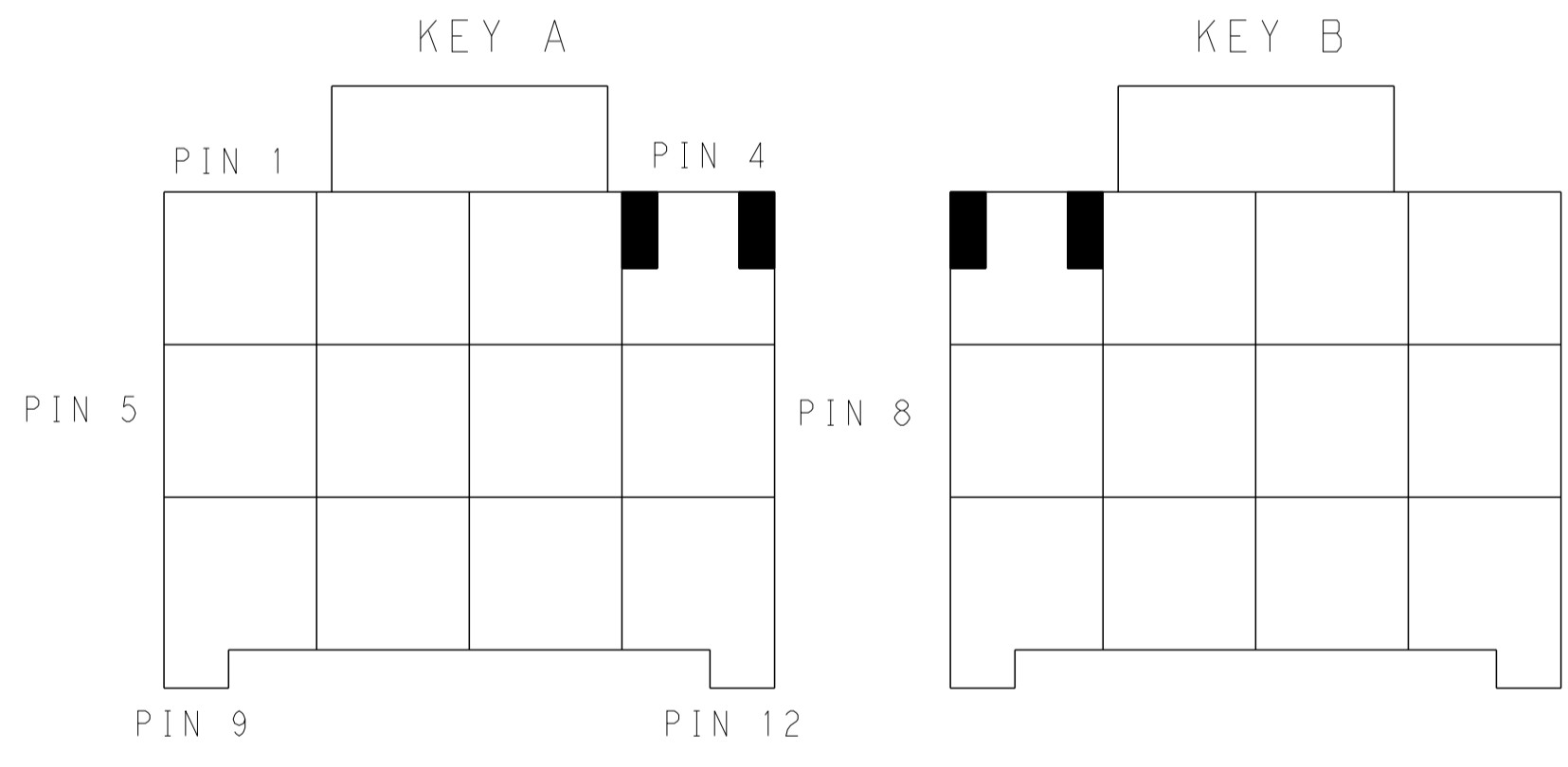
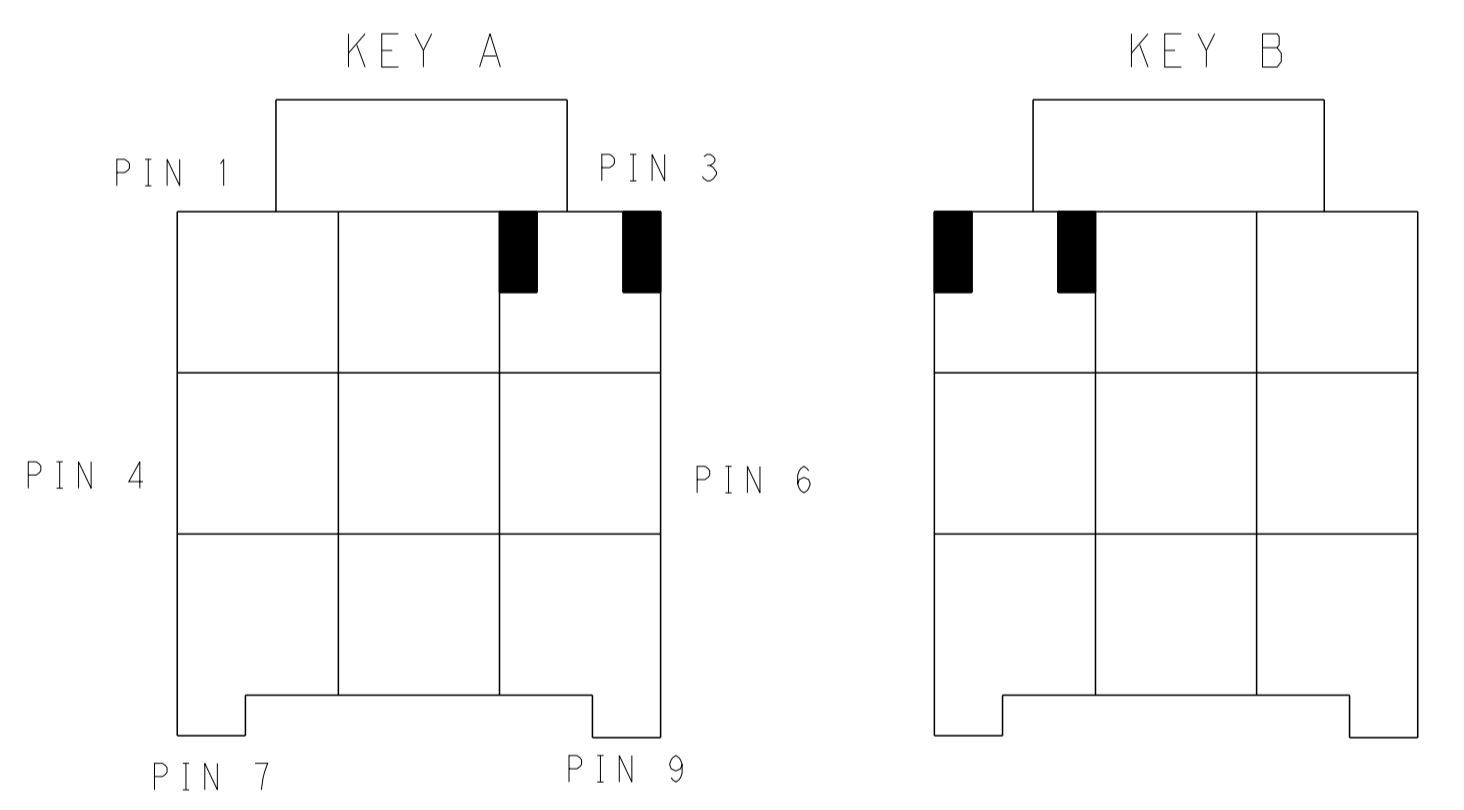
| REVISIONS | | | | |
|-----------|------|-------------|------|-------|
| P. | LTN. | DESCRIPTION | DATE | APVD. |
| - | - | SEE SHEET 1 | - | - |
| | | | | |
| | | | | |



3*3 POSITIONS

3*4 POSITIONS

3*5 POSITIONS



KEYING FOR 3*3 POS.

KEYING FOR 3*4 POS.

KEYING FOR 3*5 POS.

| POS. | MATERIAL | KEY | P/N |
|------|----------|-------|-------------|
| 3*5 | LEVEL 1 | KEY A | 1-1971875-7 |
| | | KEY B | 2-1971875-7 |
| | | KEY C | 3-1971875-7 |
| | | KEY D | 4-1971875-7 |
| 3*5 | LEVEL 2 | KEY A | 5-1971875-7 |
| | | KEY B | 6-1971875-7 |
| | | KEY C | 7-1971875-7 |
| | | KEY D | 8-1971875-7 |
| 3*4 | LEVEL 1 | KEY A | 1-1971875-4 |
| | | KEY B | 2-1971875-4 |
| | | KEY C | 3-1971875-4 |
| | | KEY D | 4-1971875-4 |
| 3*4 | LEVEL 2 | KEY A | 5-1971875-4 |
| | | KEY B | 6-1971875-4 |
| | | KEY C | 7-1971875-4 |
| | | KEY D | 8-1971875-4 |
| 3*3 | LEVEL 1 | KEY A | 1-1971875-3 |
| | | KEY B | 2-1971875-3 |
| | | KEY C | 3-1971875-3 |
| | | KEY D | 4-1971875-3 |
| 3*3 | LEVEL 2 | KEY A | 5-1971875-3 |
| | | KEY B | 6-1971875-3 |
| | | KEY C | 7-1971875-3 |
| | | KEY D | 8-1971875-3 |

THIS DRAWING IS A CONTROLLED DOCUMENT.

OWNER: TOMMY WU 06JUL2012
 CHG: HAPYE WU 06JUL2012
 APVD: YUHONG MAO 06JUL2012

TE Connectivity

NAME: CAP HOUSING, PANEL MOUNT, TRIPLE ROW POWER TRIPLE LOCK

PRODUCT SPEC: 108-106118
 APPLICATION SPEC: 114-106118

SIZE: A1 CAGE CODE: 100779 DRAWING NO: 1971875
 WEIGHT: -

Customer Drawing

SCALE: - SHEET 2 OF 2 REV C

RESTRICTED TO

X-ON Electronics

Largest Supplier of Electrical and Electronic Components

Click to view similar products for [Heavy Duty Power Connectors](#) category:

Click to view products by [TE Connectivity](#) manufacturer:

Other Similar products are found below :

[1424439](#) [1424438](#) [09330062652](#) [2-8675P1](#) [605601-1](#) [6340G1](#) [6341G1](#) [6360G1](#) [6373G1](#) [6374g2](#) [6396G1](#) [647757-1](#) [66394-4](#) [6643411-1](#)
[6646058-2](#) [6646137-1](#) [6646138-1](#) [6646348-1](#) [6646479-1](#) [6646608-1](#) [6646786-1](#) [6646940-1](#) [6651091-1](#) [6651525-1](#) [6651529-1](#) [6651778-1](#)
[6651788-1](#) [696465-1](#) [696475-1](#) [73000005059](#) [73000005349](#) [73000005642](#) [73080255059](#) [73080965046](#) [765-15-0080A](#) [765-16-0080B](#)
[789.700-44](#) [789.700-54](#) [80-1010](#) [80-9](#) [827381-1](#) [829992-1](#) [902-77-02113](#) [PL00U-301-10D10](#) [PM103MOOLOO](#) [PM16S1620S32-50](#)
[PM212MOOLOO](#) [PM309FOOLOO](#) [PM324FOOLCH](#) [PMHPAF11S03](#)