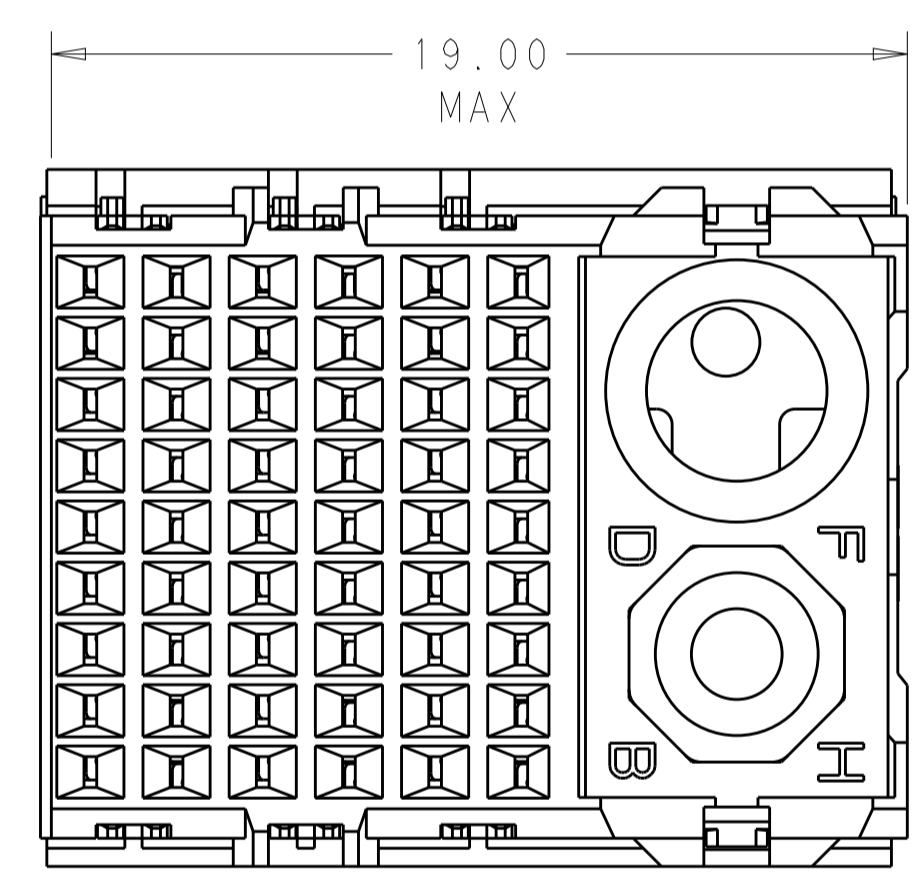
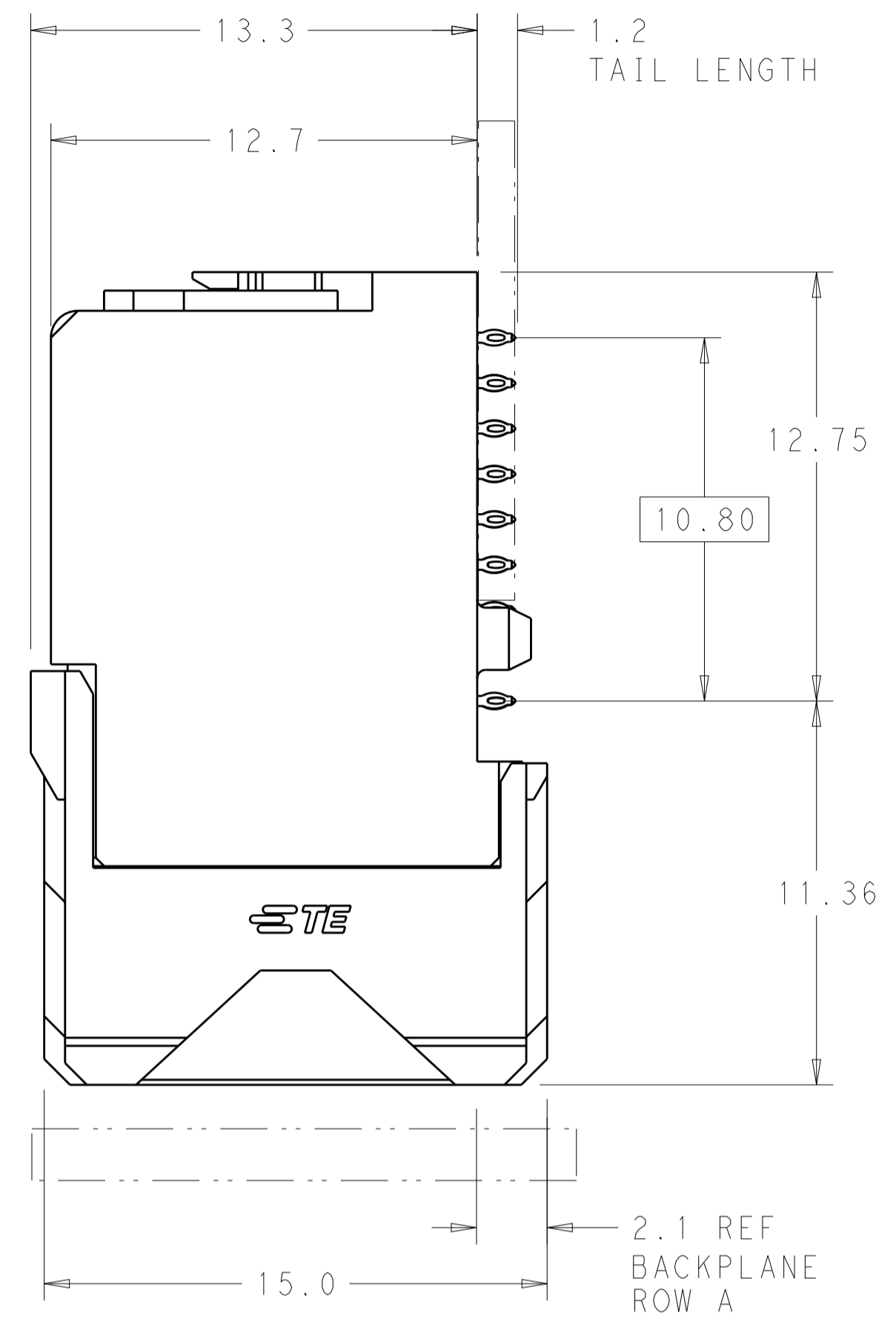
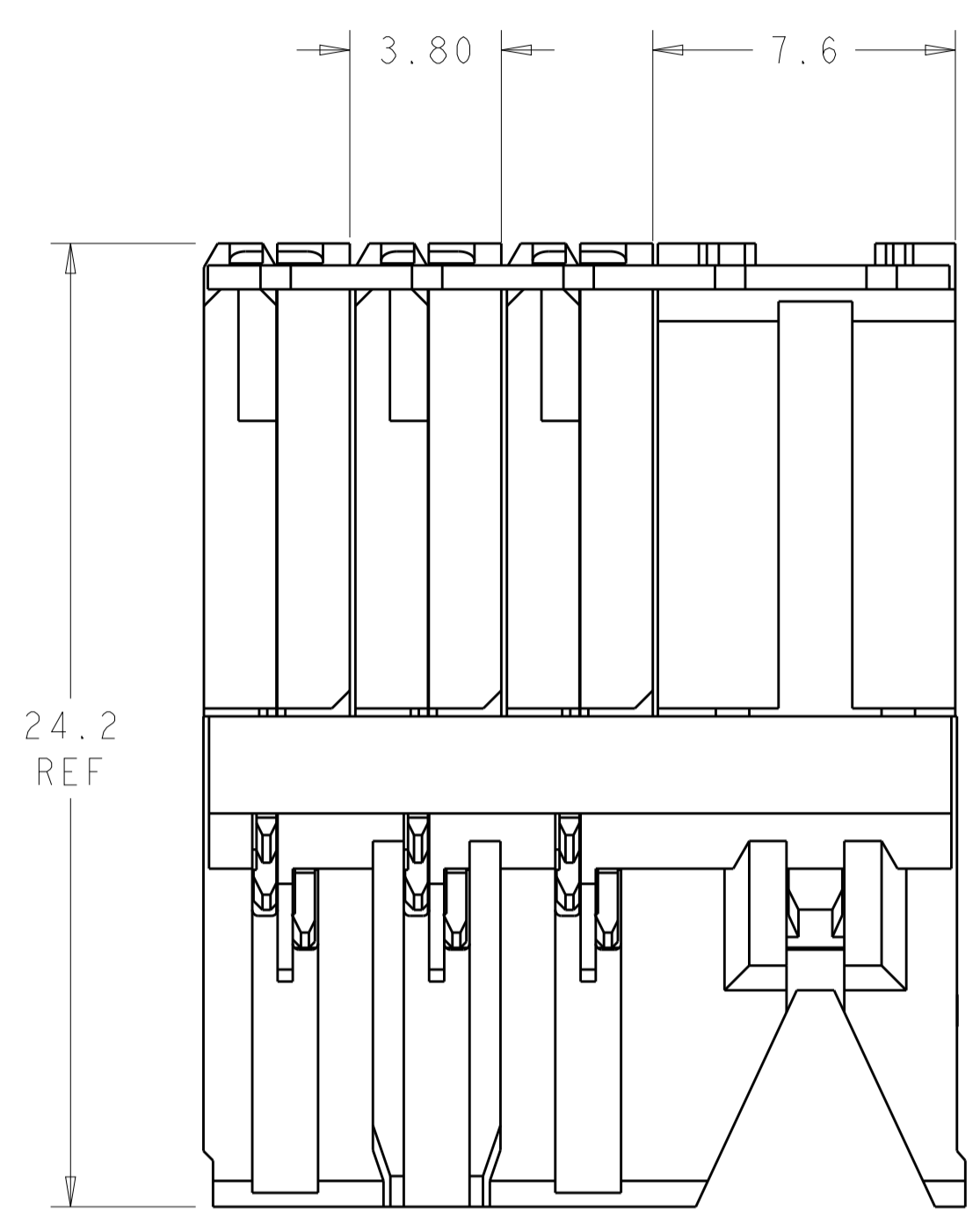
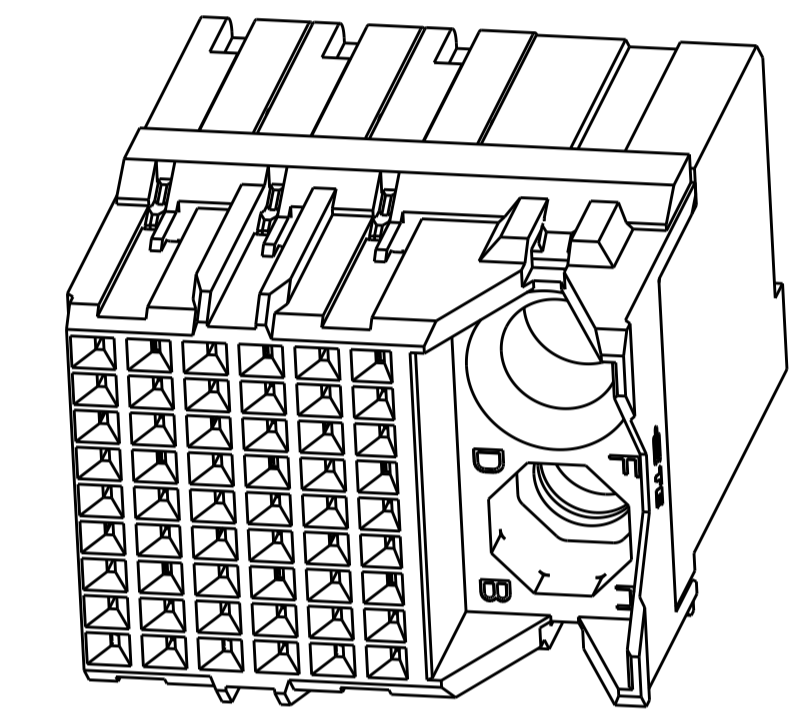


LOC		DIST		REVISIONS			
AD	00	P	LTH	DESCRIPTION	DATE	DWN	APVD
		B1		REVISED PER ECO-14-018035	11MAR2015	AP	DD



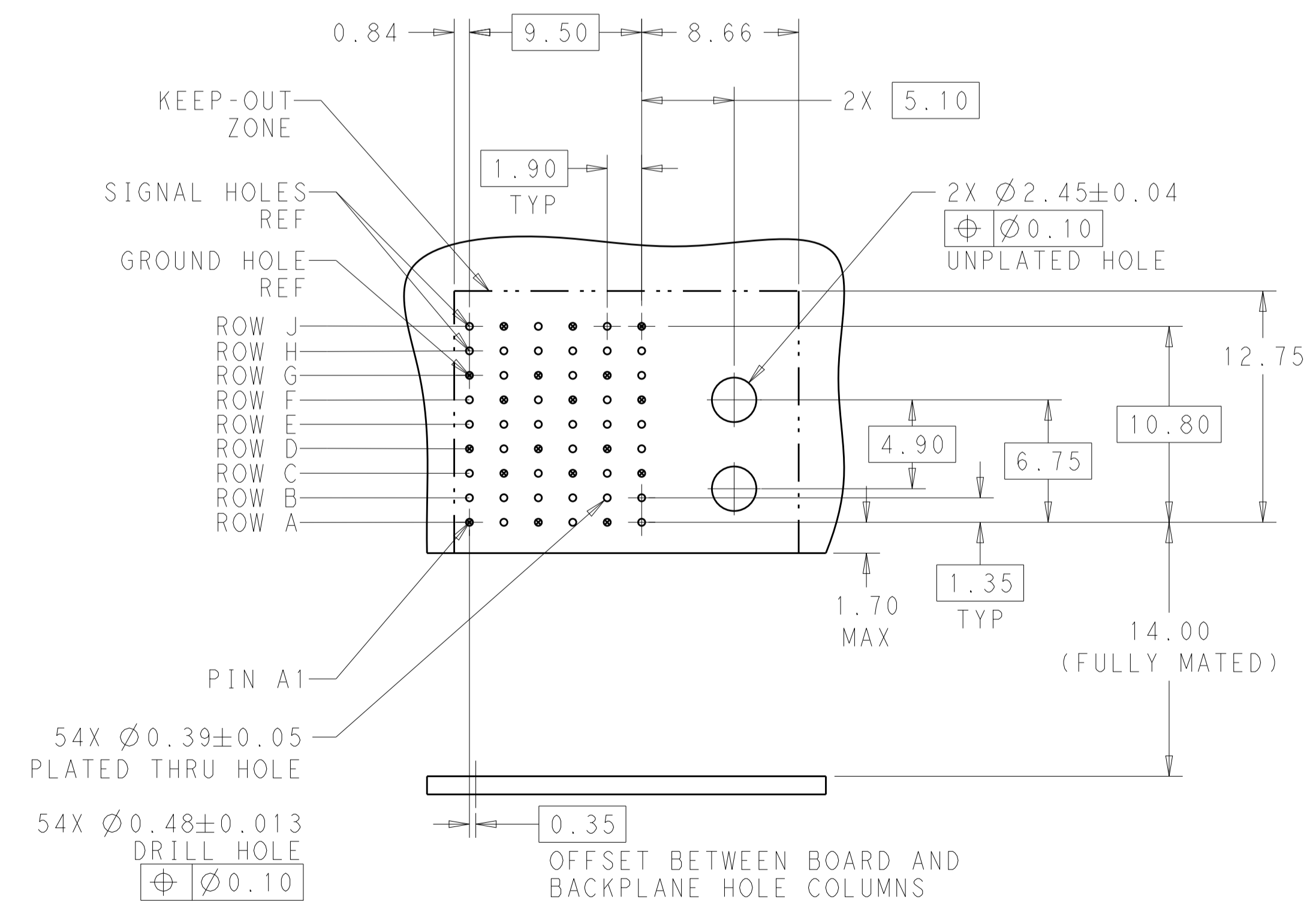
- ⚠ MATERIAL:
HOUSING: LCP, GLASS FILLED, UL94V-0.
TERMINALS: HIGH PERFORMANCE COPPER ALLOY.
- ⚠ FINISH:
30µ" SELECTIVE GOLD IN CONTACT AREA. SELECTIVE TIN ON PCB TAILS, NICKEL OVERALL.
- 3. CONNECTORS SUPPLIED WITH MOUNTING SCREW.



SCALE 4:1

REFER TO WWW.TE.COM FOR PRODUCT AVAILABILITY

KEY POSITION CHART	
	NONE



RECOMMENDED PCB LAYOUT
 MIN BOARD THICKNESS 1.0

KEY POSITION	FINISH	PART NUMBER
H	⚠	8-2132499-1
G	⚠	7-2132499-1
F	⚠	6-2132499-1
E	⚠	5-2132499-1
D	⚠	4-2132499-1
C	⚠	3-2132499-1
B	⚠	2-2132499-1
A	⚠	1-2132499-1
NONE	⚠	2132499-1

THIS DRAWING IS A CONTROLLED DOCUMENT. DWN J.K. SHOBER 04FEB2011
 CHK D. DIXON 04FEB2011
 APVD D. DIXON 04FEB2011

STE TE Connectivity

NAME: IMPACT, 3 PAIR, DAUGHTERCARD
 6 COLUMN, RIGHT GUIDED, SIGNAL
 MODULE, 0.39 EYELET

SIZE: A1 CAGE CODE: 2132499 DRAWING NO: 100779 ©=2132499

MATERIAL: SEE TABLE FINISH: SEE TABLE WEIGHT: -

Customer Drawing SCALE: 6:1 SHEET: 1 OF 1 REV: B1

X-ON Electronics

Largest Supplier of Electrical and Electronic Components

Click to view similar products for [Headers & Wire Housings](#) category:

Click to view products by [TE Connectivity](#) manufacturer:

Other Similar products are found below :

[95000-104TRLF](#) [10135584-644402LF](#) [DF62W-EP2022PCA](#) [95000-106TRLF](#) [DF62W-2022SCA](#) [DF62W-EP2022PC](#) [2203348](#) [DF62W-2022SC](#) [1084018](#) [1029039](#) [1084017](#) [802-10-012-10-002000](#) [1112640](#) [1112639](#) [000-34000](#) [0009482033](#) [0009507031](#) [57102-S06-03LF](#) [57202-S52-04LF](#) [PCN6-15S-2.5E](#) [0039019024](#) [58102-G61-06LF](#) [582553-1](#) [0009485154](#) [0009508121](#) [0022285053](#) [0050291907](#) [018731A](#) [LY20-4P-DT1-P1E-BR](#) [02.125.8002.8](#) [60101931](#) [60598-1 \(Cut Strip\)](#) [M1625-3R/100](#) [61062-3](#) [61082-181009](#) [636-1427](#) [638009-1](#) [641938-9](#) [641991-4](#) [644168-1](#) [647662-1](#) [65039-019ELF](#) [65817-002LF](#) [65817-015LF](#) [65863-015LF](#) [66207-023LF](#) [67016-026LF](#) [67046-001LF](#) [67095-007LF](#) [67230-005LF](#)