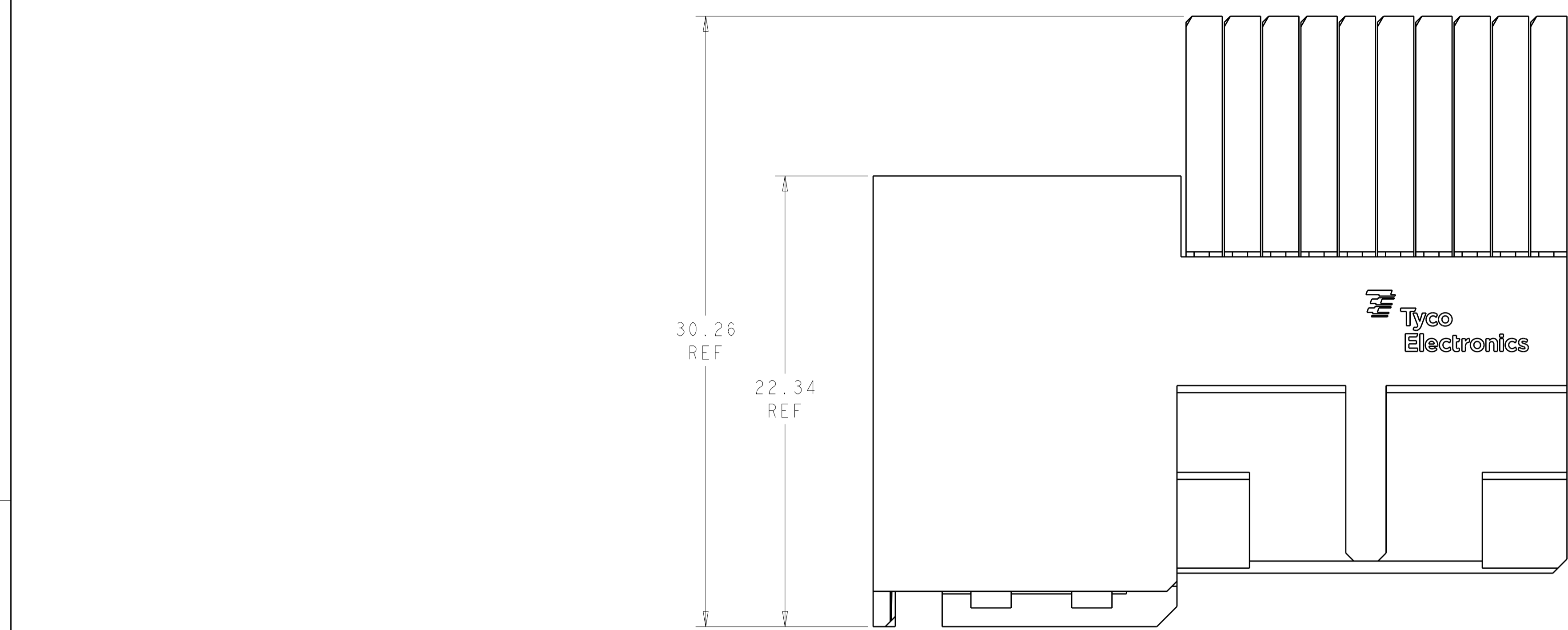
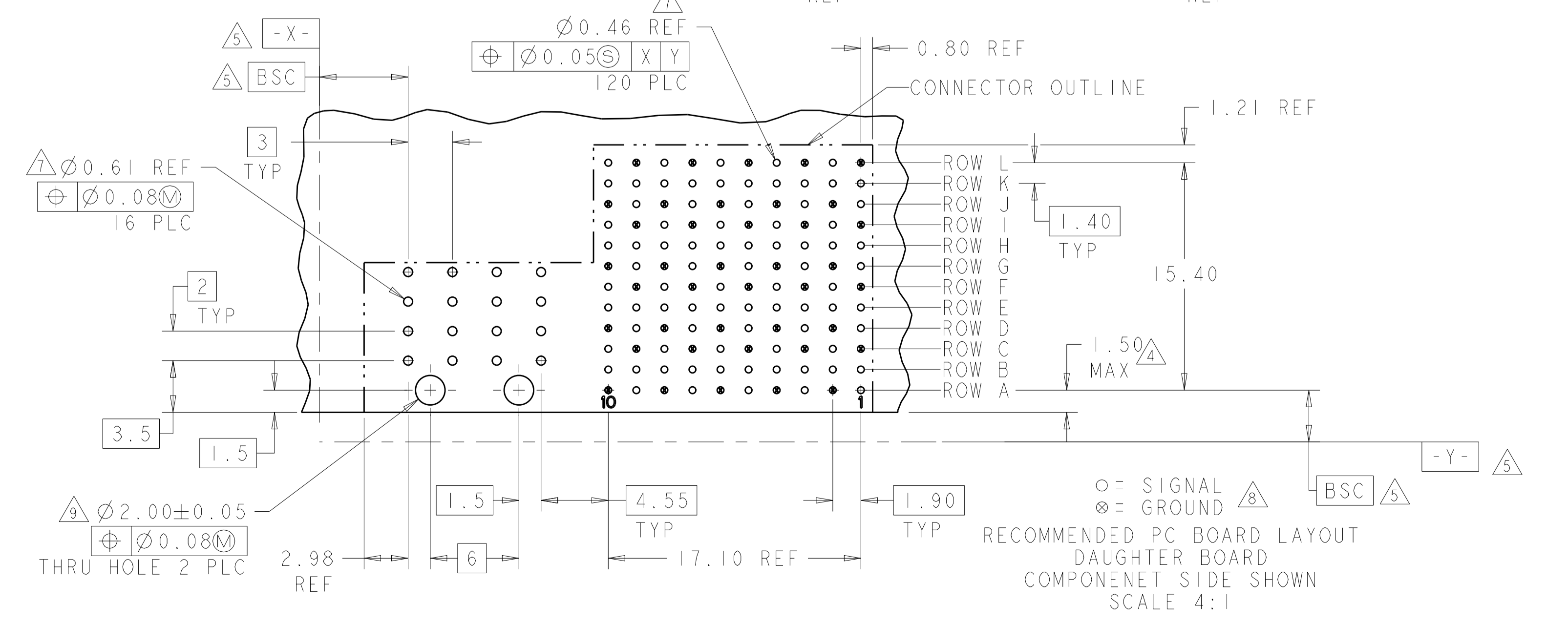
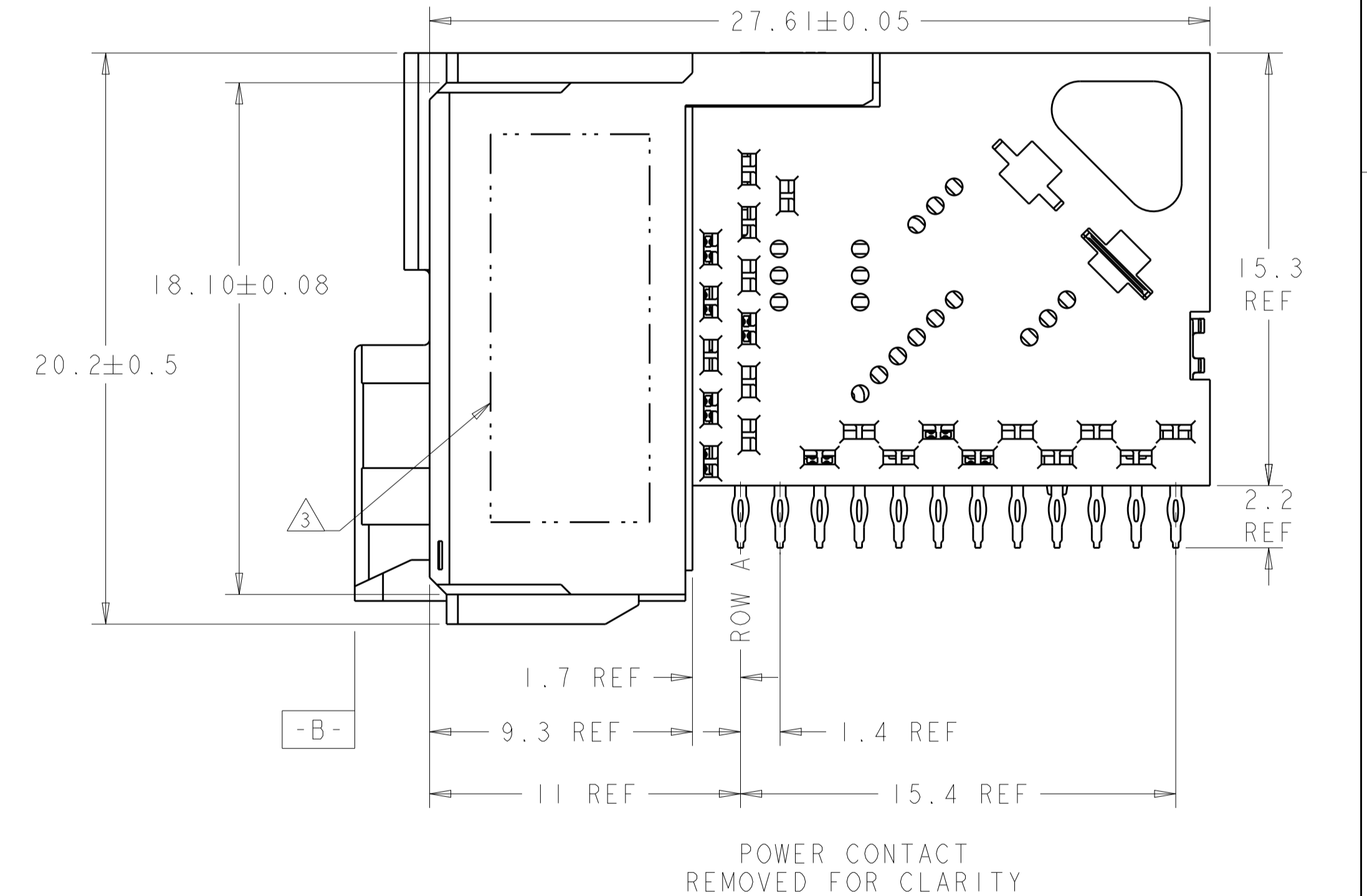
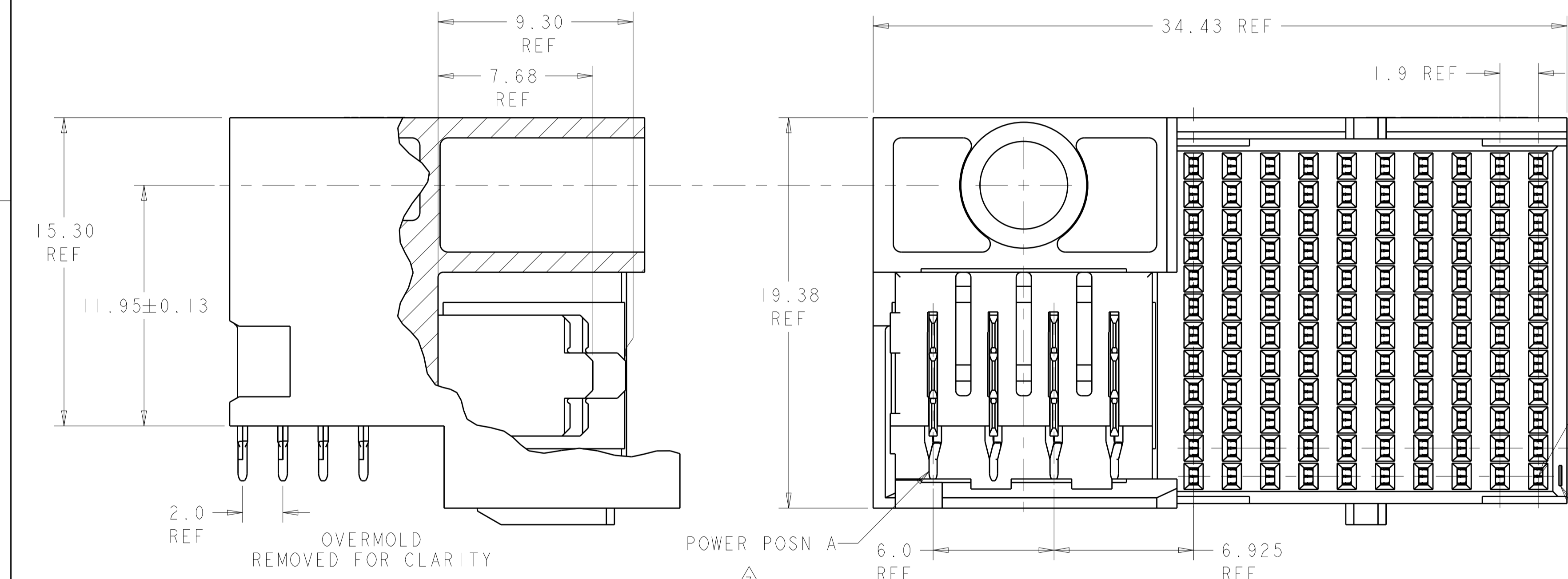


LOC		DIST		REVISIONS			
P	LTN	DESCRIPTION	DATE	DWN	APVD		
D		REV PER ECO-12-002769	13FEB2012	WS	RP		
E		REV PER ECO-12-018914	21NOV2012	WS	RP		
F		REV PER ECO-12-020324	15JAN2013	WS	RP		



- 1 MATERIAL:
CONTACT AND SHIELD - PHOS BRONZE
HOUSING AND CHICKLET - LCP, UL 94V-0,
COLOR - BLACK
- 2 FINISH:
SIGNAL CONTACT: MATING AREA - 0.76µm MIN GOLD OVER 1.27µm MIN NICKEL
COMPLIANT PIN AREA - 0.5µm BRIGHT TIN-LEAD OVER 1.27µm MIN NICKEL
POWER CONTACT: MATING AREA - 0.08µm MIN GOLD OVER 0.7µm PALADIUM NICKEL
COMPLIANT PIN AREA: 0.5µm MIN TIN LEAD, ALL OVER 1.27µm MIN NICKEL
SHIELD: 1.27µm MIN NICKEL
- 3 CONNECTOR MARKED ON EITHER SIDE OF HOUSING WITH PART NUMBER,
DATE CODE AND STANDARD IN APPROXIMATE AREA SHOWN.
- 4 DIMENSION APPLIES TO CENTERLINE OF THRU HOLE.
- 5 DATUMS AND BASIC DIMENSIONS ESTABLISHED BY CUSTOMER.
- 6. CONTACT AREA LUBRICATED WITH BELLCORE APPROVED LUBRICANT.
TECHNICAL REFERENCE: GR-1217-CORE, ISSUE 1, NOVEMBER 1995.
- 7 REFERENCE APPLICATION SPEC 114-13202 AND 114-1103 FOR RECOMMENDED PLATED
THRU HOLE DIAMETER AND PLATING THICKNESSES.
- 8 THE GROUNDS IN EACH COLUMN ARE COMMONED.
- 9 HOLES ARE FOR USE IN SPECIAL APPLICATIONS USING DESCRETE COMPONENTS.
- 10 FINISH:
SIGNAL CONTACT: MATING AREA - 0.76µm MIN GOLD OVER 1.27µm MIN NICKEL
COMPLIANT PIN AREA - 0.5µm MATTE TIN OVER 1.27µm MIN NICKEL
POWER CONTACT: MATING AREA - 0.08µm MIN GOLD OVER 0.7µm MIN PALLADIUM-NICKEL
COMPLIANT PIN AREA: 0.5µm MIN MATTE TIN, ALL OVER 1.27µm MIN NICKEL
SHIELD: 1.27µm MIN NICKEL
- 11 FINISH:
SIGNAL CONTACT: MATING AREA - 0.076µm MIN GOLD OVER 0.68 MIN PALADIUM - NICKEL
COMPLIANT PIN AREA - 0.5µm MATTE TIN OVER 1.27µm MIN NICKEL
POWER CONTACT: MATING AREA - 0.08µm MIN GOLD OVER 0.7µm MIN PALLADIUM-NICKEL
COMPLIANT PIN AREA: 0.5µm MIN MATTE TIN, ALL OVER 1.27µm MIN NICKEL
SHIELD: 1.27µm MIN NICKEL



11	B & D	A & C	2065698-3
10	B & D	A & C	2065698-2
2	B & D	A & C	2065698-1
FINISH	POSITIONS LOADED WITH 9.3 REF CONTACTS	POSITIONS LOADED WITH 7.68 REF CONTACTS	PART NUMBER

THIS DRAWING IS A CONTROLLED DOCUMENT.

DIMENSIONS: mm

TOLERANCES UNLESS OTHERWISE SPECIFIED:

MATERIAL

FINISH

DWN: B. CARBO 27APR2009
CHK: R. PATTERSON 27APR2009
APVD: R. PATTERSON 27APR2009

NAME: RECEPTACLE ASSEMBLY, 4 PAIR, 10 COLUMN, WITH POWER

SIZE: A1
CAGE CODE: 2065698
DRAWING NO: 2065698

SCALE: 6:1
SHEET: 1 OF 1
REV: F

X-ON Electronics

Largest Supplier of Electrical and Electronic Components

Click to view similar products for [High Speed/Modular Connectors](#) category:

Click to view products by [TE Connectivity](#) manufacturer:

Other Similar products are found below :

[2332816-1](#) [89006-1137LF](#) [650827-1](#) [65762-001LF](#) [73474-201LF](#) [74040-1346](#) [74075-0267](#) [1410191-1](#) [1410337-1](#) [1410368-3](#) [1410964-2](#)
[1410367-3](#) [1410971-4](#) [1467833-1](#) [2000877-1](#) [2000878-1](#) [2041314-1](#) [2065387-1](#) [2187307-1](#) [2187462-1](#) [2226278-6](#) [KA81-07](#) [91290-101LF](#)
[163P](#) [1934290-1](#) [2000875-1](#) [2065917-1](#) [2102736-2](#) [FSR-40](#) [2169868-2](#) [2226279-2](#) [22354-8](#) [437-5040-000](#) [5-1393565-0](#) [532449-3](#) [532803-](#)
[2](#) [34745-0001](#) [0736440217](#) [1-1393708-5](#) [72388-0021LF](#) [73774-1000](#) [532939-1](#) [5-531355-3](#) [5532901-3](#) [85838-180LF](#)
[HM1S43TRR460H6PLF](#) [0760205010](#) [1-966831-4](#) [3-1469268-7](#) [77427-121LF](#)