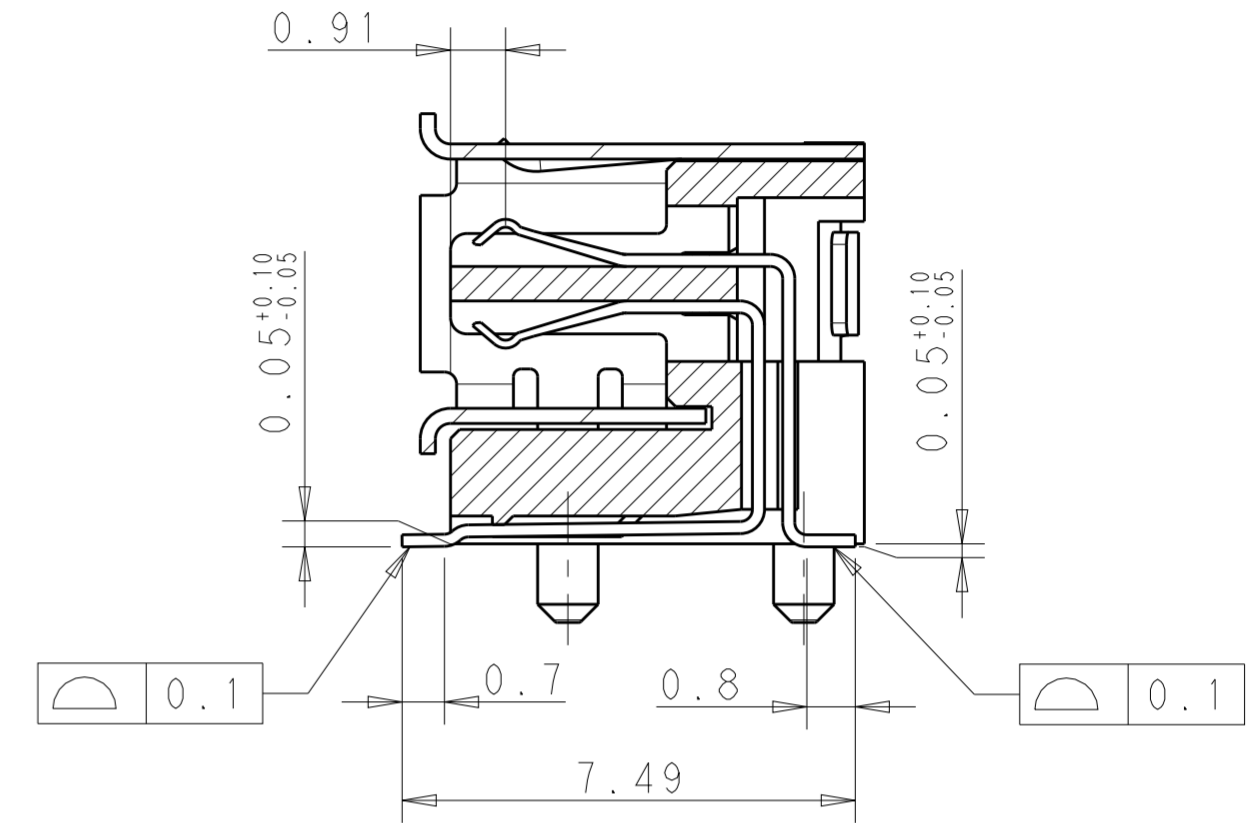
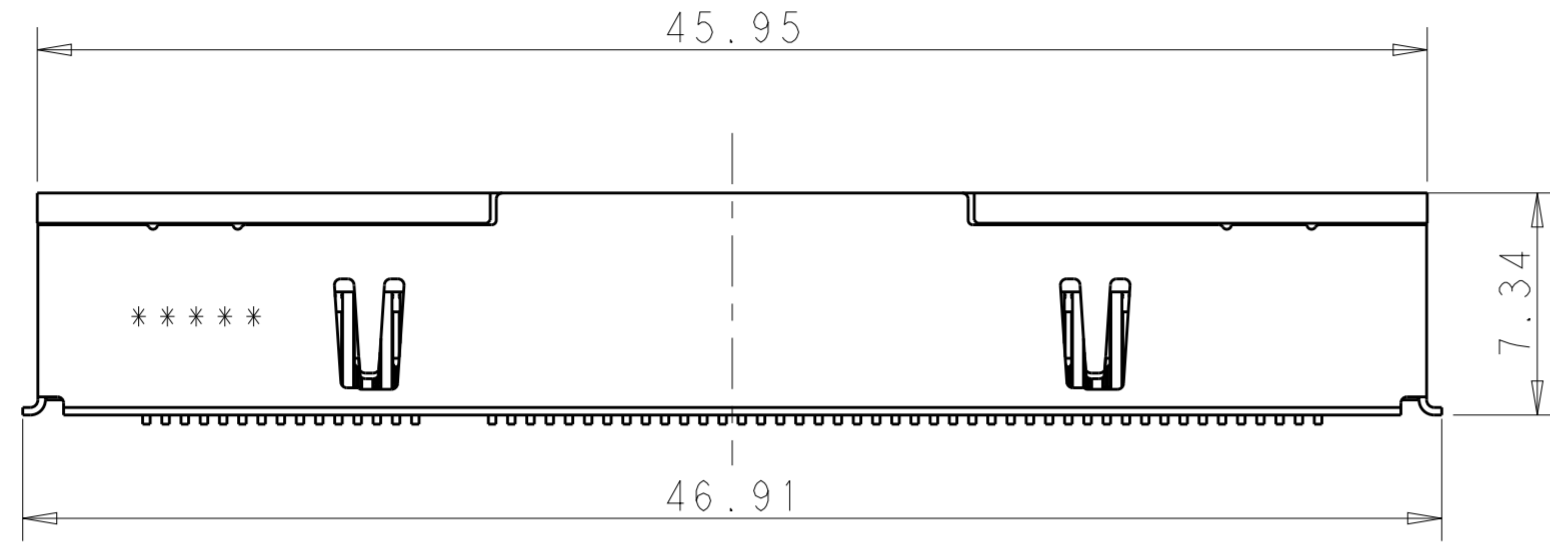


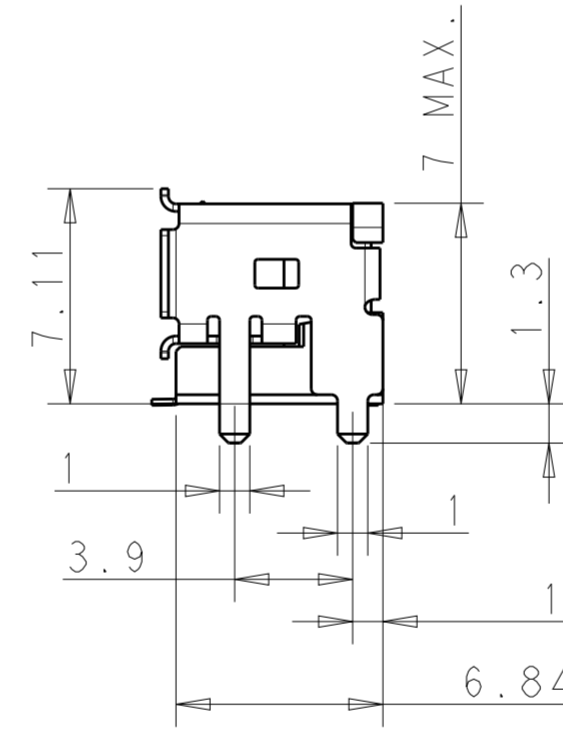
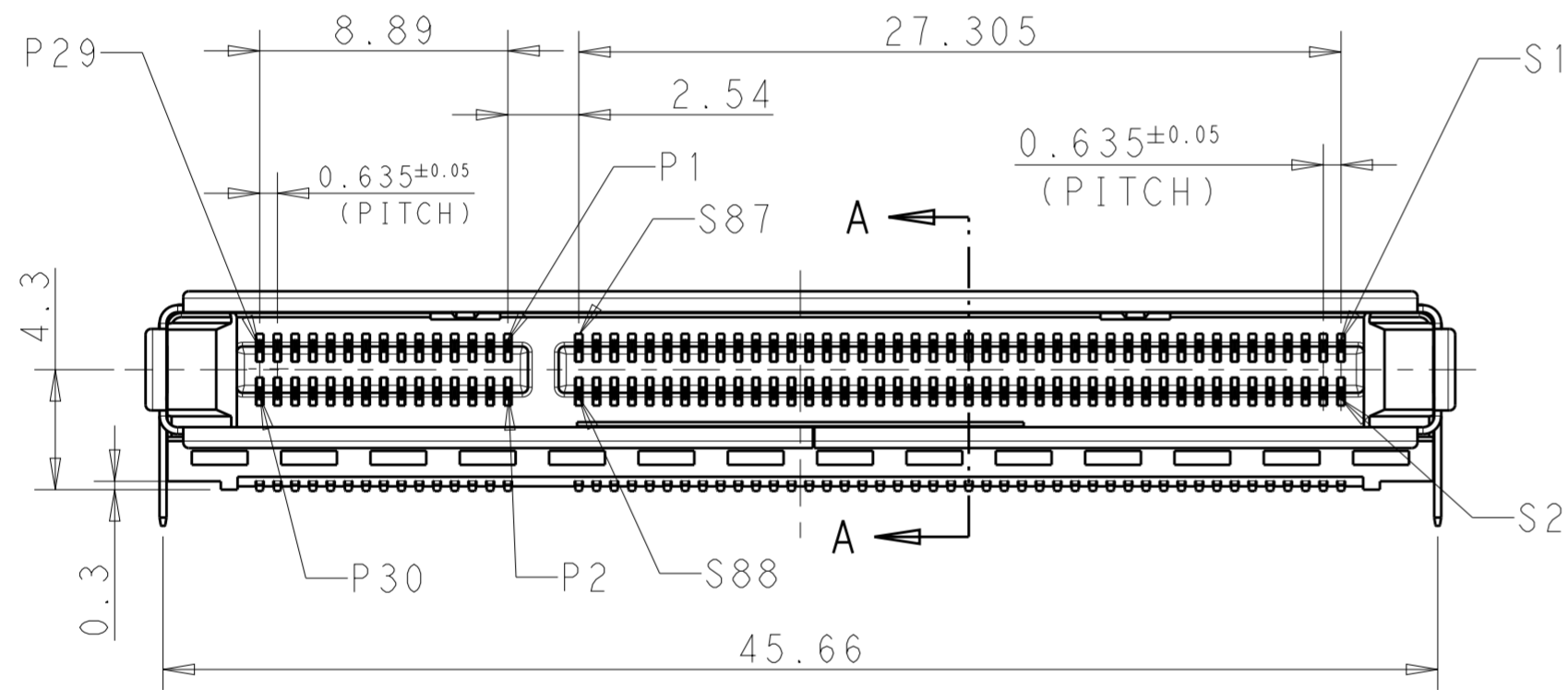
THIS DRAWING IS UNPUBLISHED. RELEASED FOR PUBLICATION 20  
 © COPYRIGHT 20 BY - ALL RIGHTS RESERVED.

LOC		DIST		REVISIONS			
P	LTR	DESCRIPTION	DATE	DWN	APVD		
	A	REVISED	30OCT2012	E.L	X.X		

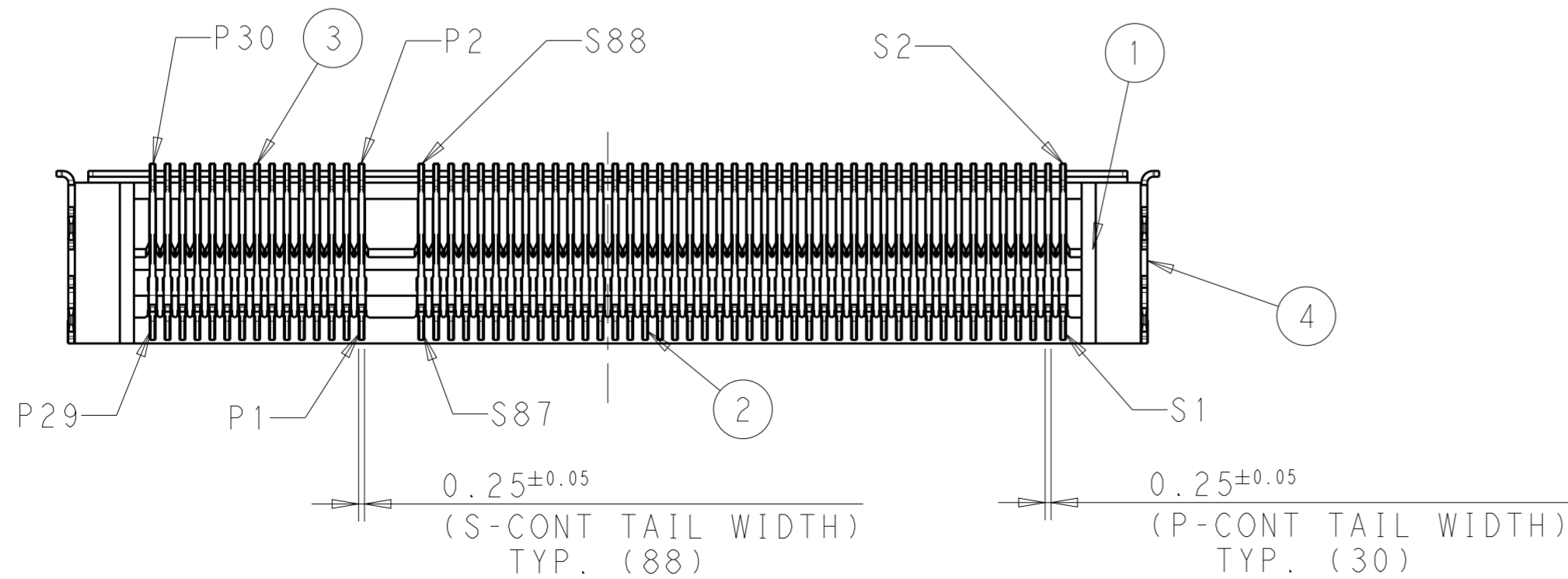
AS SHOWN: 2199022-1



SECTION A-A  
SCALE 8:1



- ① MATERIAL:
- ① HOUSING: THERMO-PLASTIC (UL94V-0, BLACK)
- ② SIGNAL CONTACT: COOPER ALLOY.
- ③ POWER CONTACT: COPPER ALLOY.
- ④ SHELL: STAINLESS STEEL.
- ② FINISH:
- CONTACT: ALL OVER Ni UNDER PLATING. Au PLATING ON CONATCT AREA. Tin PLATING ON TINE AREA.
- SHELL: NICKEL PLATING.

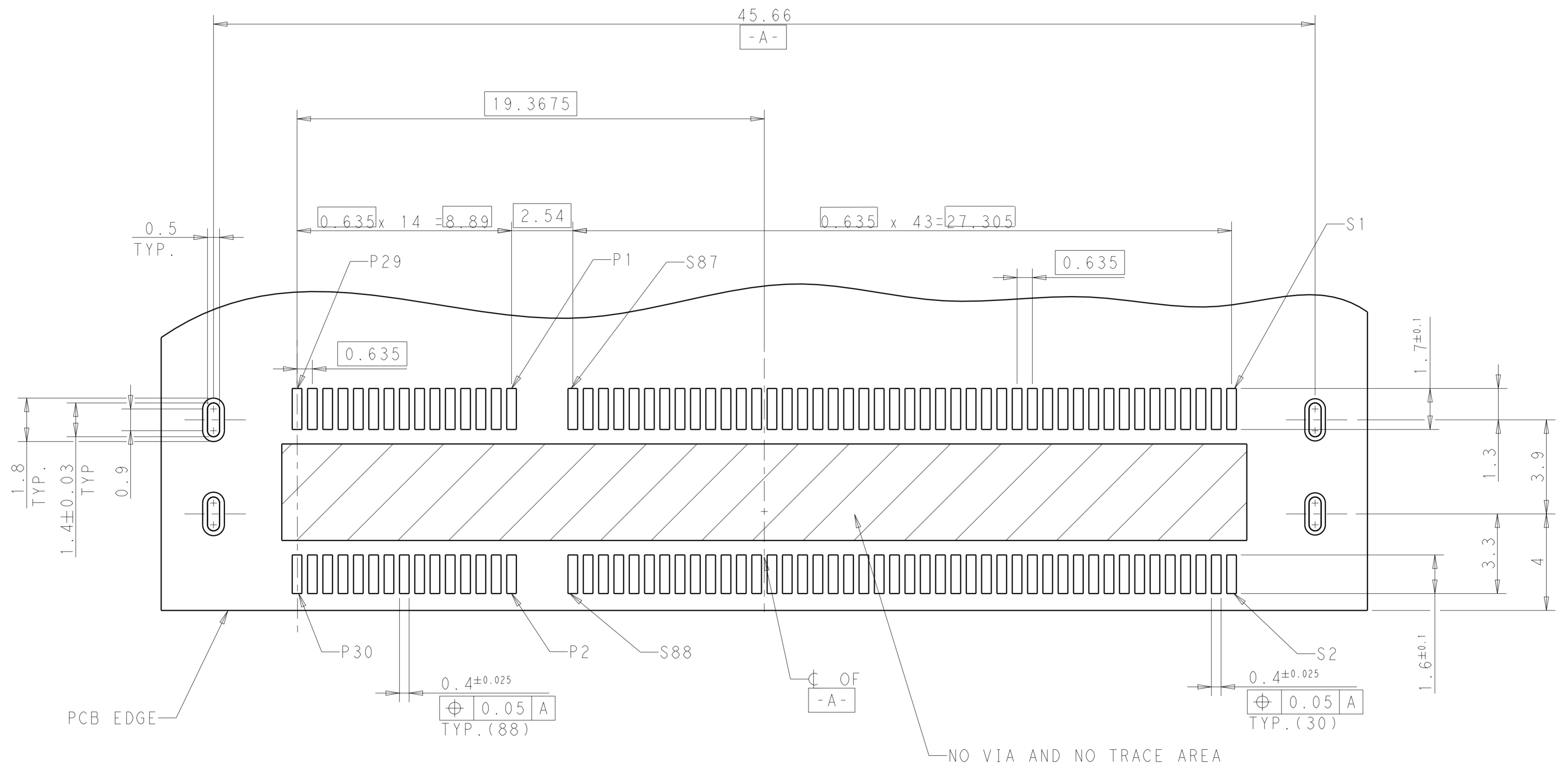


Q'TY	NAME	ITEM NO.
1	SHELL	④
30	POWER CONT	③
88	SIGNAL CONT	②
1	HSG	①

THIS DRAWING IS A CONTROLLED DOCUMENT.		DWN: SIMON LI 5AUG2011	 TE Connectivity
DIMENSIONS: mm		CHK: SIMON LI 5AUG2011	
TOLERANCES UNLESS OTHERWISE SPECIFIED:		APVD: COREI WANG 5AUG2011	
0 PLC ± 1 PLC ± 2 PLC ± ±0.25 3 PLC ± ±3° 4 PLC ± ANGLES ± FINISH ±		NAME: RECEPTACLE ASSY 0.635mm PITCH 118 PIN BAY CONNECTOR	
MATERIAL: ①	FINISH: ②	PRODUCT SPEC	RESTRICTED TO
CUSTOMER DRAWING		APPLICATION SPEC	SIZE: A200779
SCALE: 4:1		WEIGHT	DRAWING NO: C-2199022
SHEET 1 OF 3		REV A	

THIS DRAWING IS UNPUBLISHED. RELEASED FOR PUBLICATION 20  
 © COPYRIGHT 20 BY - ALL RIGHTS RESERVED.

LOC		DIST		REVISIONS			
P	LTR	DESCRIPTION	DATE	DWN	APVD		
-	-	SEE SHEET 1	-	-	-		

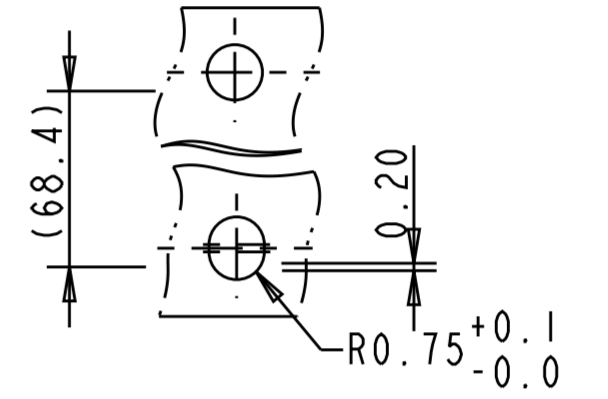
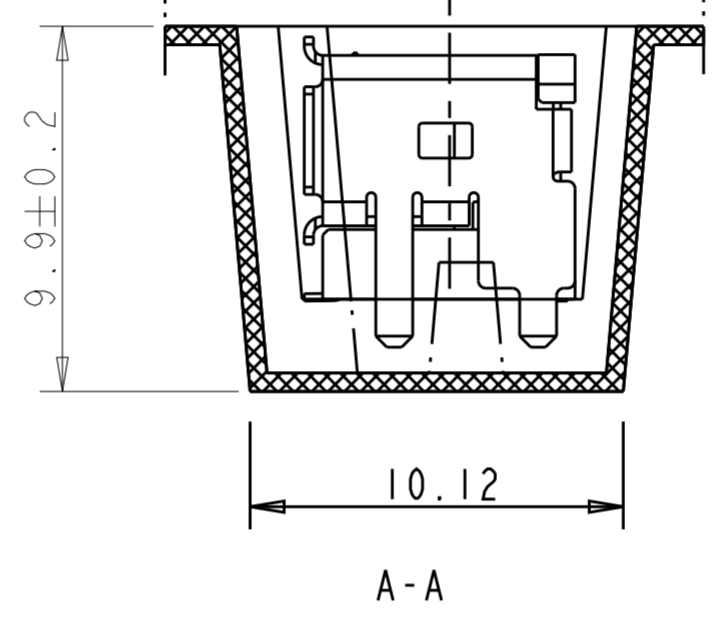
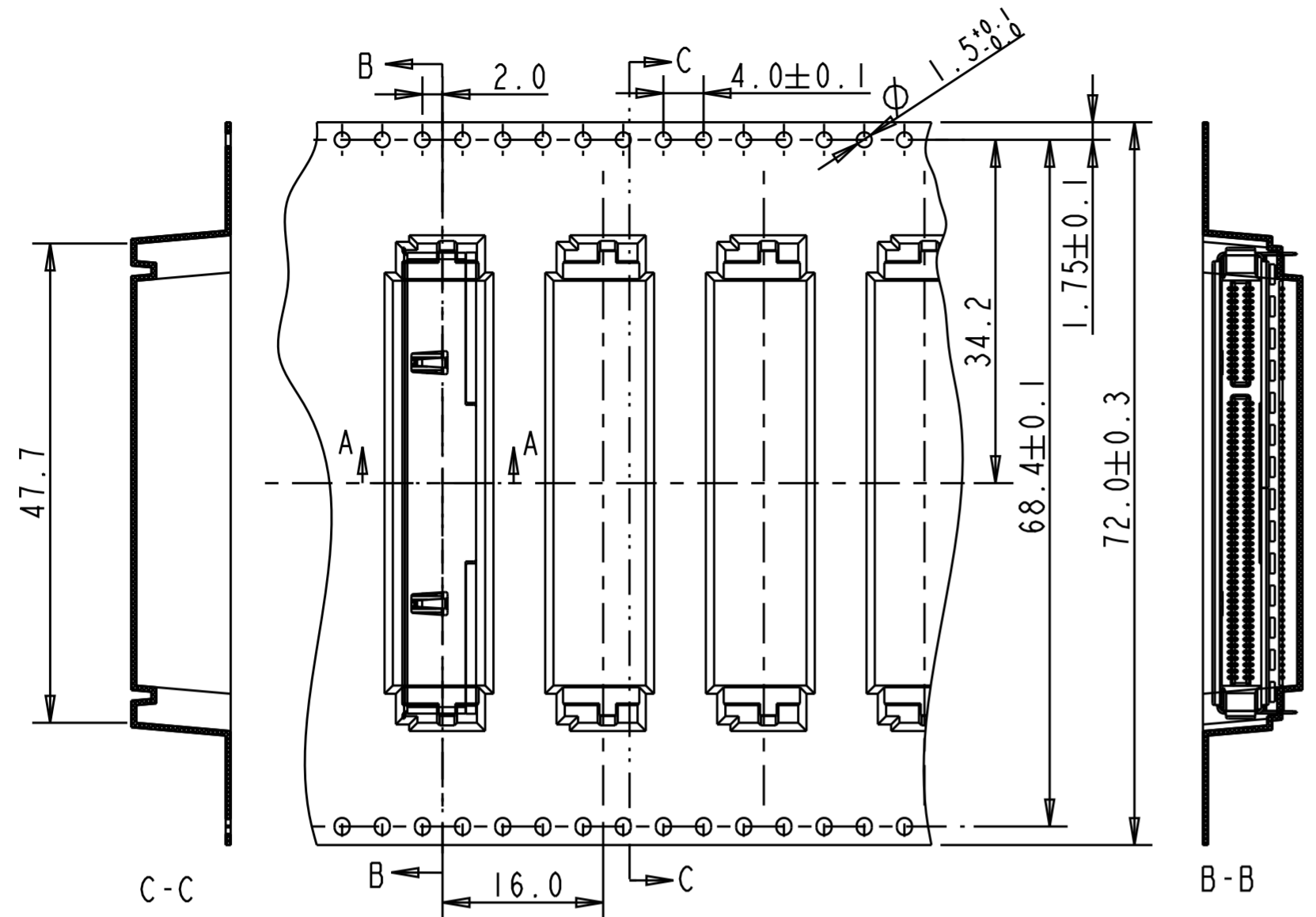


# RECOMMENDED P.C. BOARD LAYOUT (REFERENCE)

THIS DRAWING IS A CONTROLLED DOCUMENT.		DWN SIMON LI 5AUG2011	 TE Connectivity
DIMENSIONS: mm		CHK SIMON LI 5AUG2011	
TOLERANCES UNLESS OTHERWISE SPECIFIED:		APVD COREI WANG 5AUG2011	
0 PLC ± 1 PLC ± 2 PLC ± ±0.25 3 PLC ± ±3° 4 PLC ± ANGLES ± FINISH ±		NAME RECEPTACLE ASSY 0.635mm PITCH 118 PIN BAY CONNECTOR	
MATERIAL		PRODUCT SPEC	SIZE A200779
		APPLICATION SPEC	CAGE CODE C-2199022
		WEIGHT	DRAWING NO -
		CUSTOMER DRAWING	RESTRICTED TO -
		SCALE 2:1	SHEET 2 OF 3
			REV A

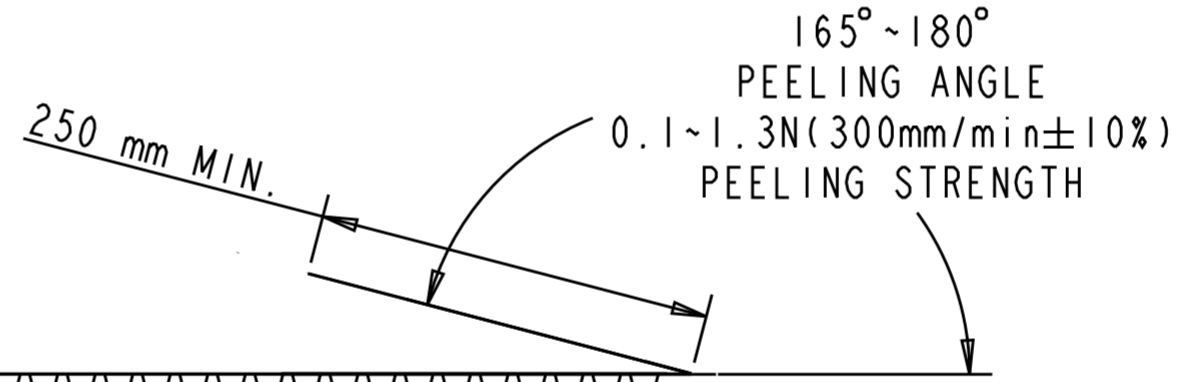
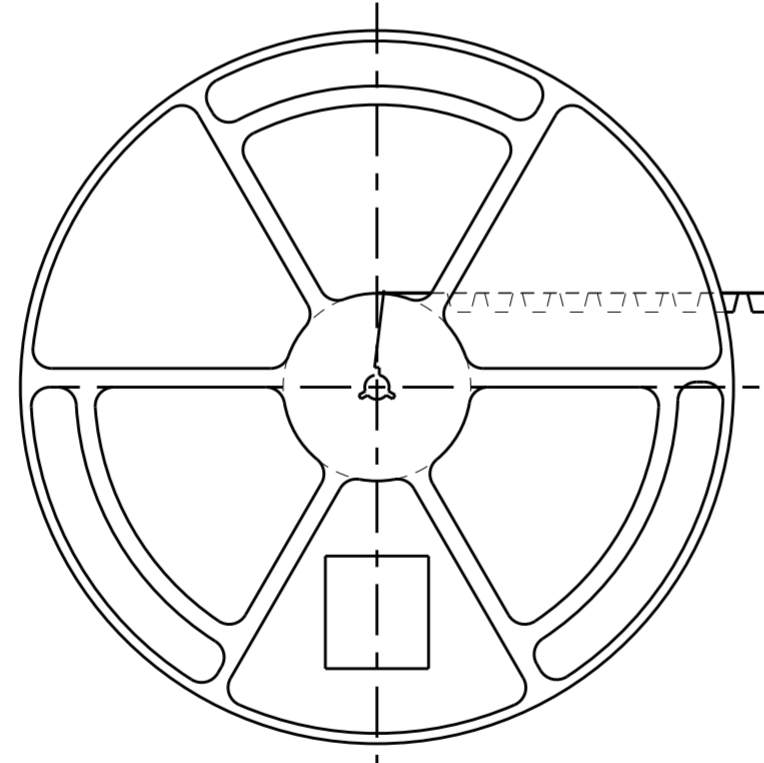
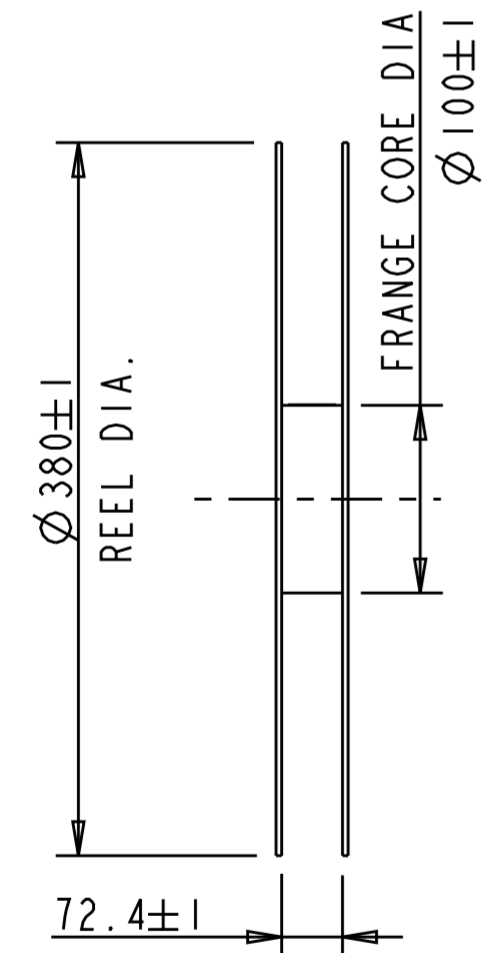
THIS DRAWING IS UNPUBLISHED. RELEASED FOR PUBLICATION 20  
 © COPYRIGHT 20 BY - ALL RIGHTS RESERVED.

LOC		DIST		REVISIONS			
P	LTR	DESCRIPTION	DATE	DWN	APVD		
-	-	SEE SHEET 1	-	-	-		



DETAIL, ELONGATION AND SKEW OF SPROCKET HOLES

USER DIRECTION OF UNREELING →



300mm MIN. WITHOUT CHARGE    WITH PRODUCT CHARGE 550 PCS/IREEL    300mm MIN. WITHOUT CHARGE  
 SEALED WITH COVER TAPE    SEALED WITH COVER TAPE

THIS DRAWING IS A CONTROLLED DOCUMENT.		DWN SIMON LI 5AUG2011	 TE Connectivity	NAME RECEPTACLE ASSY 0.635mm PITCH 118 PIN BAY CONNECTOR		
DIMENSIONS: mm		CHK SIMON LI 5AUG2011		SIZE	CAGE CODE	DRAWING NO.
TOLERANCES UNLESS OTHERWISE SPECIFIED: 0 PLC ± 1 PLC ± 2 PLC ± 3 PLC ± 4 PLC ± ANGLES ± FINISH ±		APVD COREI WANG 5AUG2011		A200779		C-2199022
MATERIAL		PRODUCT SPEC		RESTRICTED TO		
		APPLICATION SPEC	SCALE 4:1		SHEET 3 OF 3	
		WEIGHT	REV A			
		CUSTOMER DRAWING				

## X-ON Electronics

Largest Supplier of Electrical and Electronic Components

*Click to view similar products for [I/O Connectors](#) category:*

*Click to view products by [TE Connectivity](#) manufacturer:*

Other Similar products are found below :

[571763P](#) [58098-0628](#) [61-168618-12P](#) [D38999/20FJ24PA L/C](#) [D38999/20FJ29SB L/C](#) [D38999/24FG11SN L/C](#) [72.250.1628.2](#) [72.250.2428.2](#)  
[74720-0505](#) [76.350.0729.0](#) [76871-1403](#) [FCN-244F080-G/1](#) [FCN-260A9920](#) [FCN-268D024-G/2F#10X-R10](#) [PCS-E50FA](#) [PCS-XE26LKA](#)  
[PCS-XE26MA+](#) [PCS-XES68MS+](#) [G38A71314B](#) [91-569719-35R](#) [9776-18-6](#) [DX40-50P\(55\)](#) [1571250010](#) [157-22500-3](#) [MS3476W12-10S](#)  
[L/C](#) [1888020-8](#) [91-569786-35H](#) [91-569786-35M](#) [91-644626-35P](#) [172501-4002](#) [172501-6002](#) [FCN-260C008-A/L0](#) [FCN-260C024-AL0](#)  
[FCN-261Z008](#) [FCN-268D008-G/1K](#) [2000314-1](#) [200331-1](#) [2007498-2](#) [PCR-E28LMDAG1+](#) [PCR-E36FC+](#) [PCS-E28FS+](#) [PCS-XE26SLFD+](#)  
[PCS-XE26SLFDT+](#) [G38A71214B](#) [HDRA-E68W1LFDTC-SL+](#) [HDR-E14MSG1+](#) [R88A-CNK81S](#) [CRT1-ATT02](#) [54182-0605](#)  
[U90B2054081210](#)