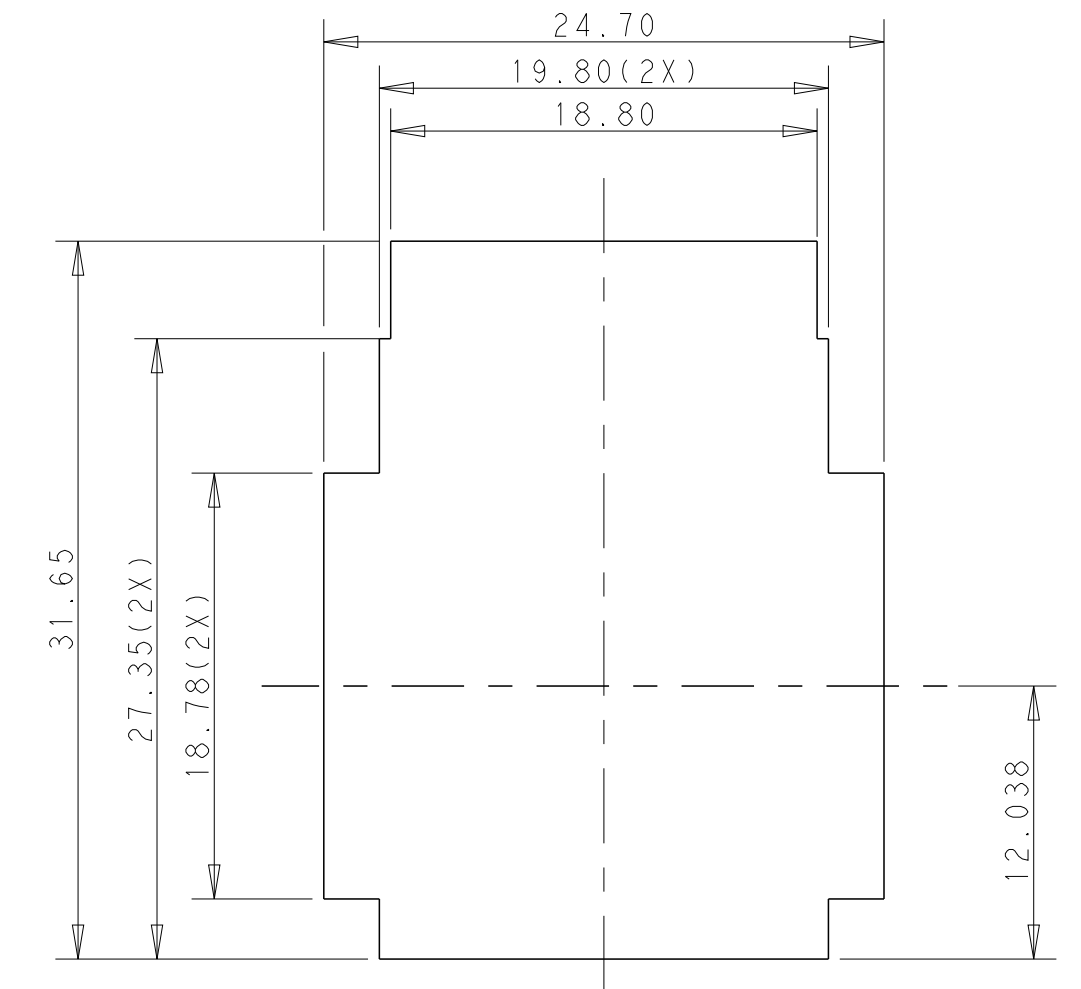
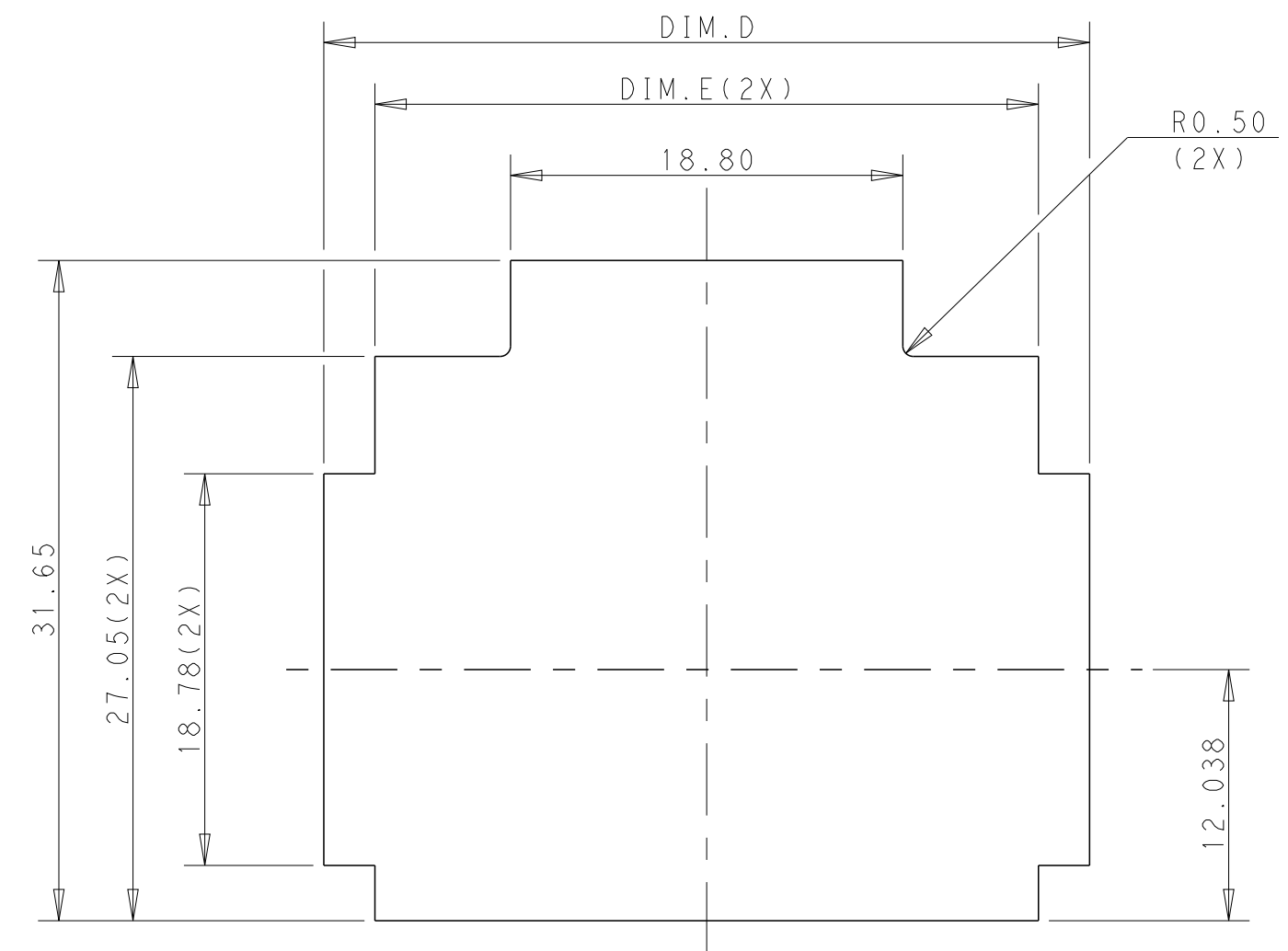
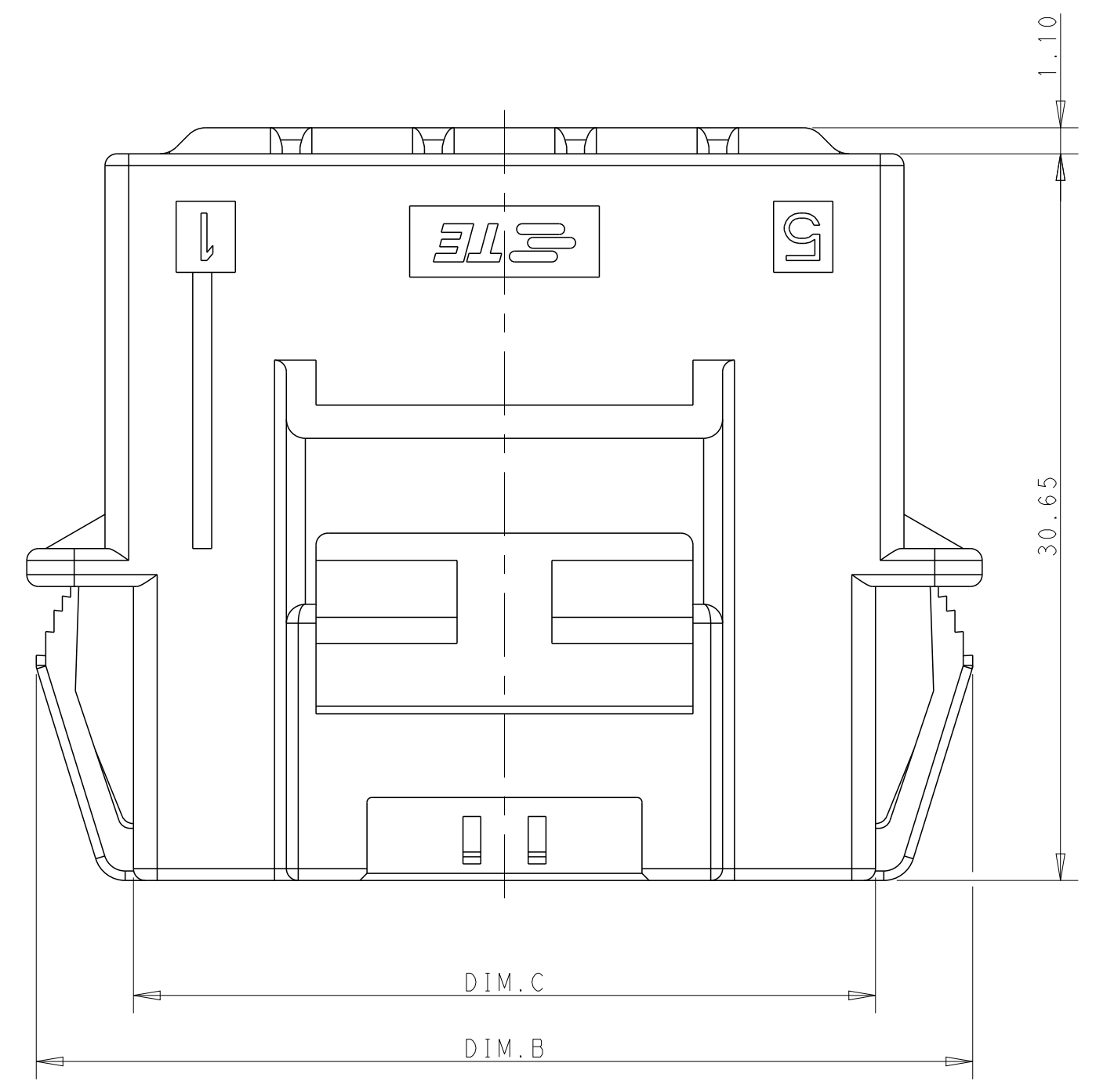
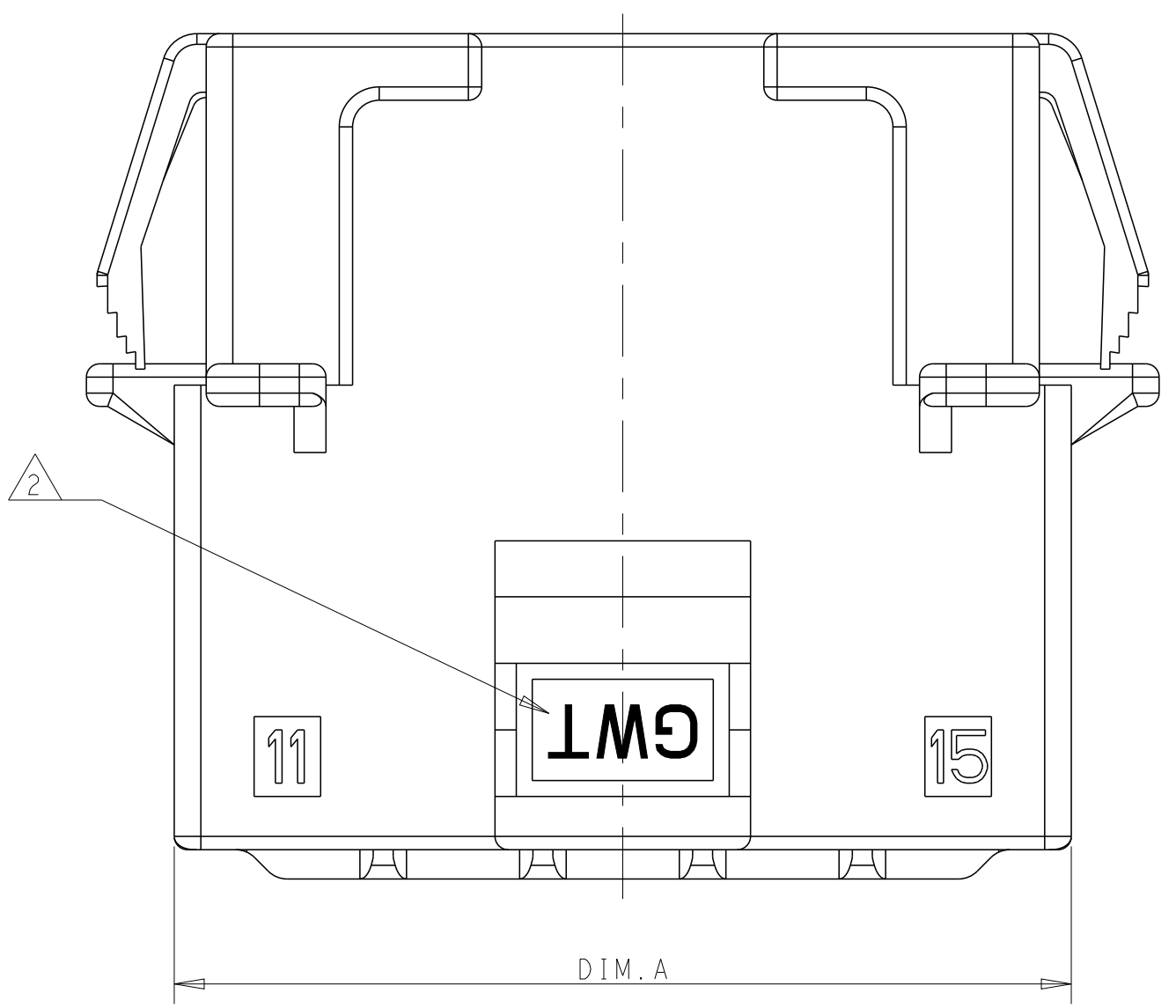
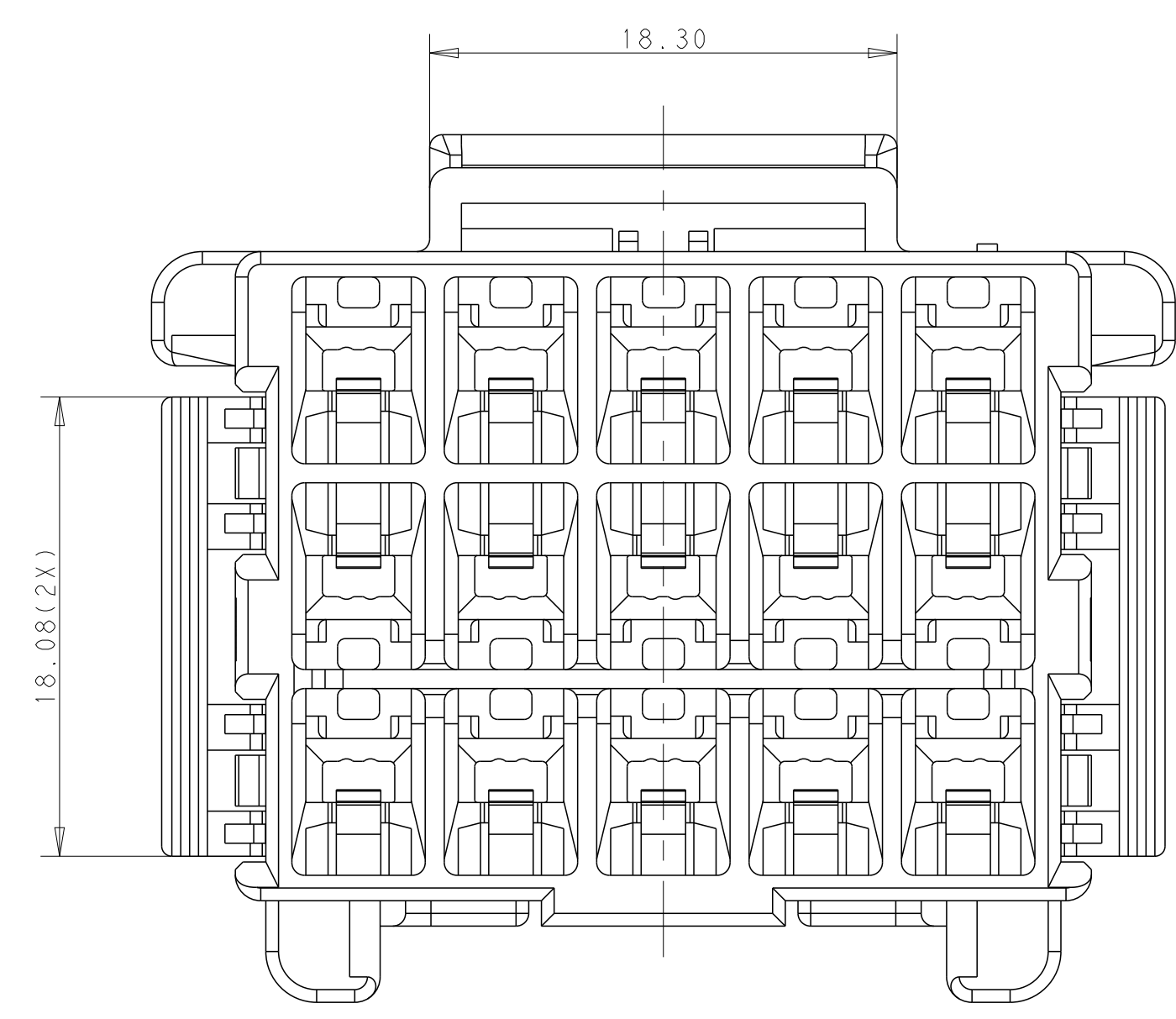
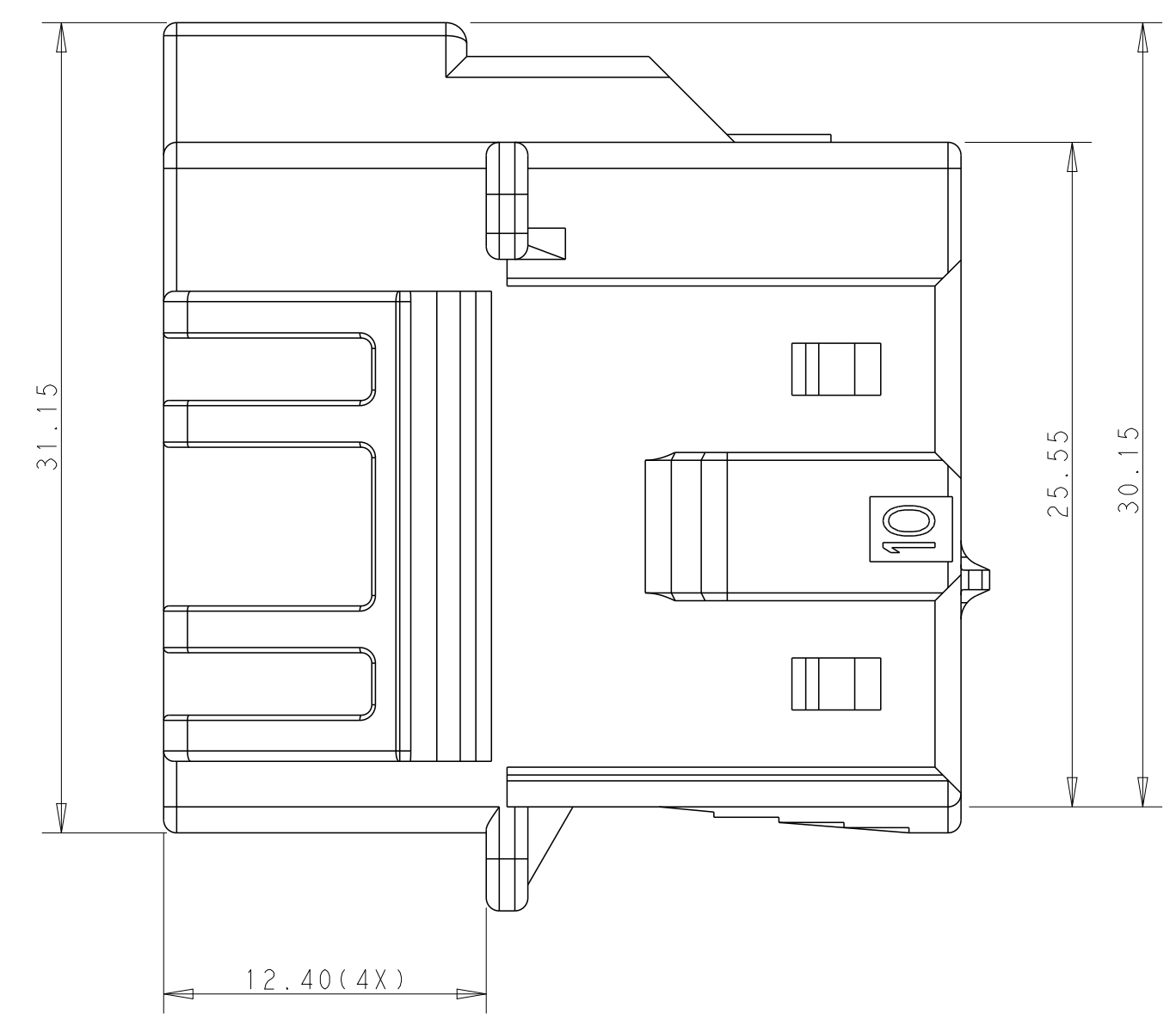
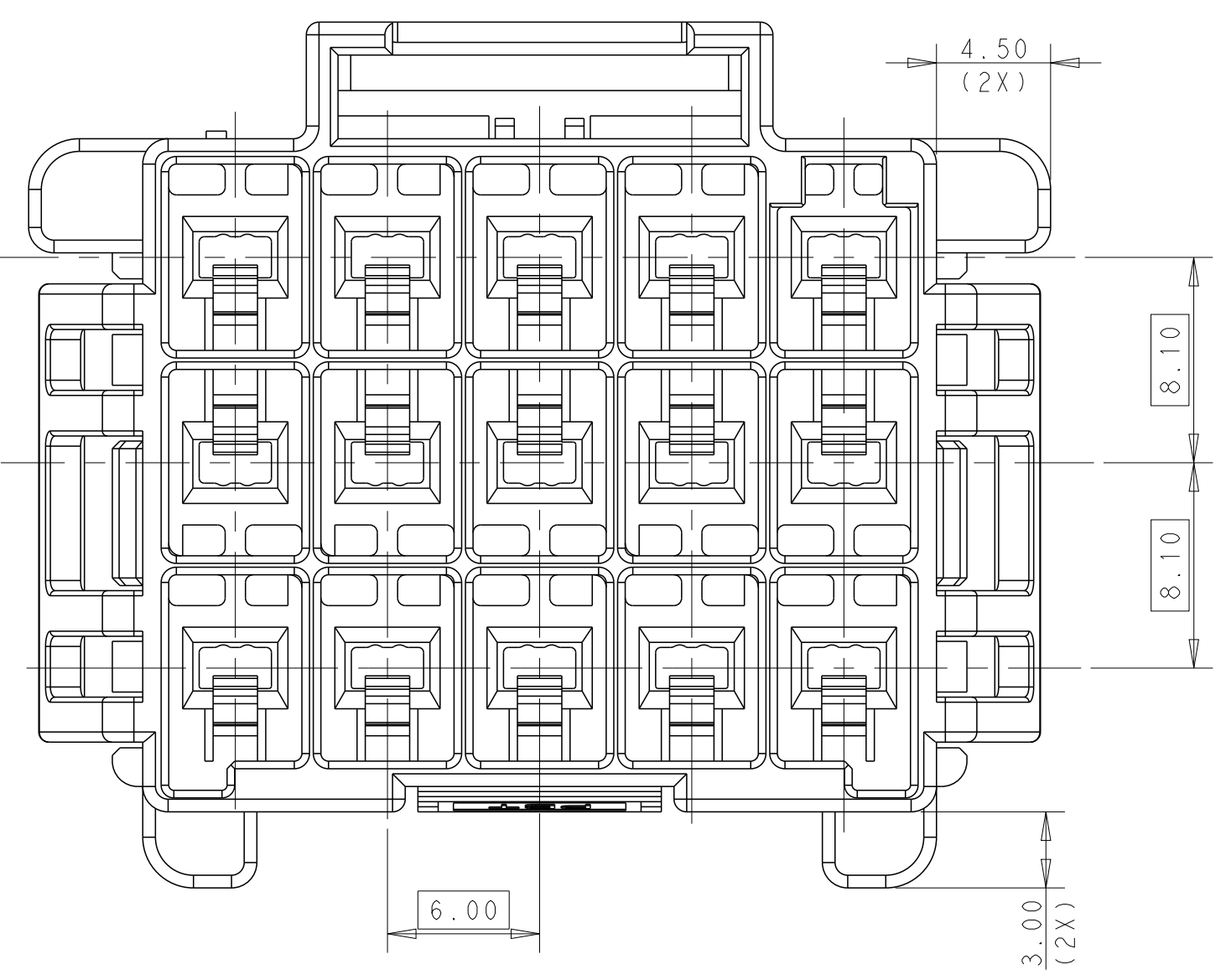


LOC		DIST		REVISIONS			
P	LTN	DESCRIPTION	DATE	DWN	APVD		
B		REVISED PER ECR-16-003314	18JUL2016	BW	GJ		



RECOMMENDED PANEL OPENING DIMENSIONS FOR CAP HOUSING 3*5 AND 3*4 POSITIONS (TOLERANCE: ±0.15mm)

RECOMMENDED PANEL OPENING DIMENSIONS FOR CAP HOUSING 3*3 POSITION (TOLERANCE: ±0.15mm)



NOTE
 1. MATERIAL:
 LEVEL A: PA6 GLASS FILLED, COMPLY WITH GLOW WIRE REQUIREMENTS FOR PARTS OF NON-METALLIC MATERIAL SUPPORTING A CURRENT-CARRYING CONNECTION DETAILED IN IEC 60335-1, SECTION 30 (GWT), UL 94V-0
 LEVEL B: PBT GLASS FILLED, HOT WIRE IGNITION (HWI) VERSION ARE MOLDED IN A RESIN THAT COMPLIES WITH TE HOT WIRE IGNITION TEST 109-32026 AND ARE RECOMMENDED FOR USE WITH HWI HOUSINGS THAT ALSO COMPLY, UL 94V-0

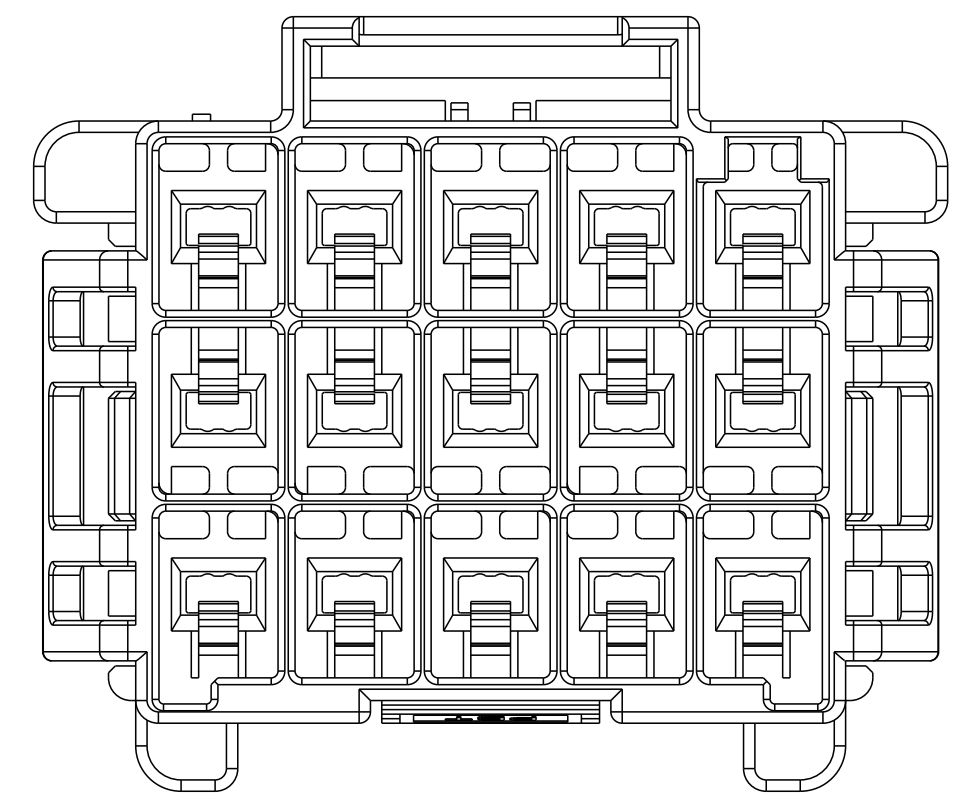
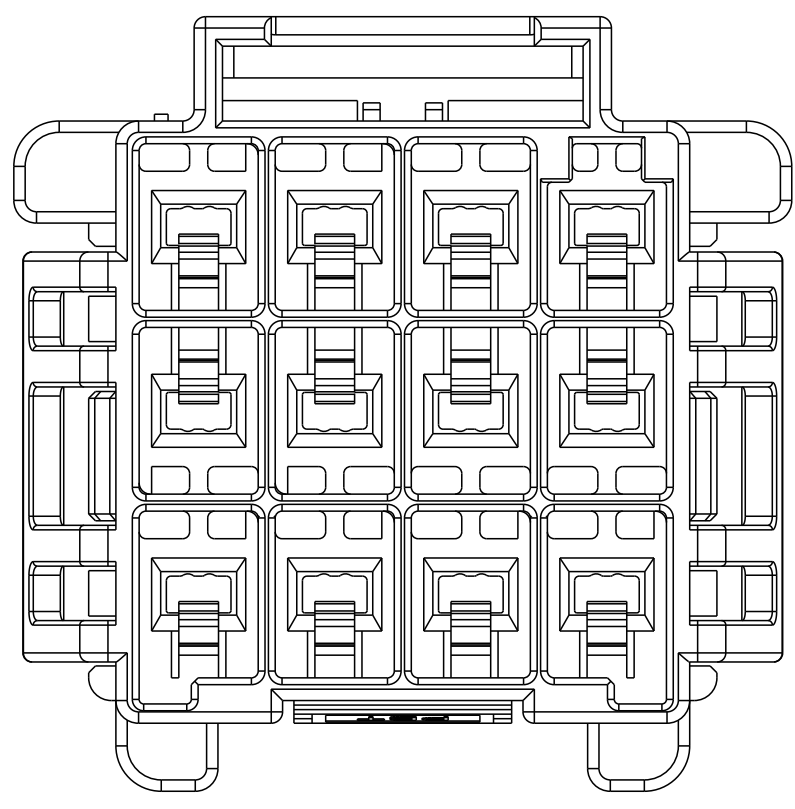
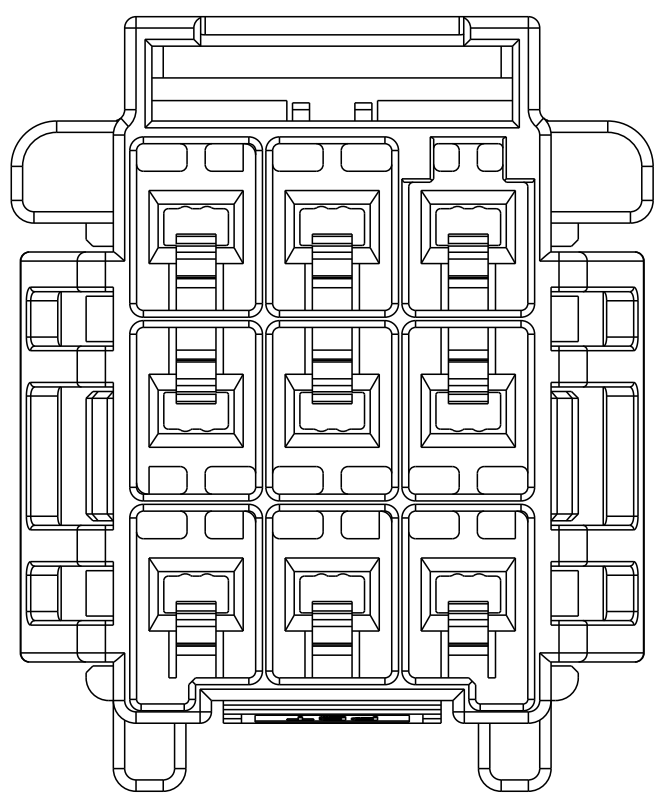
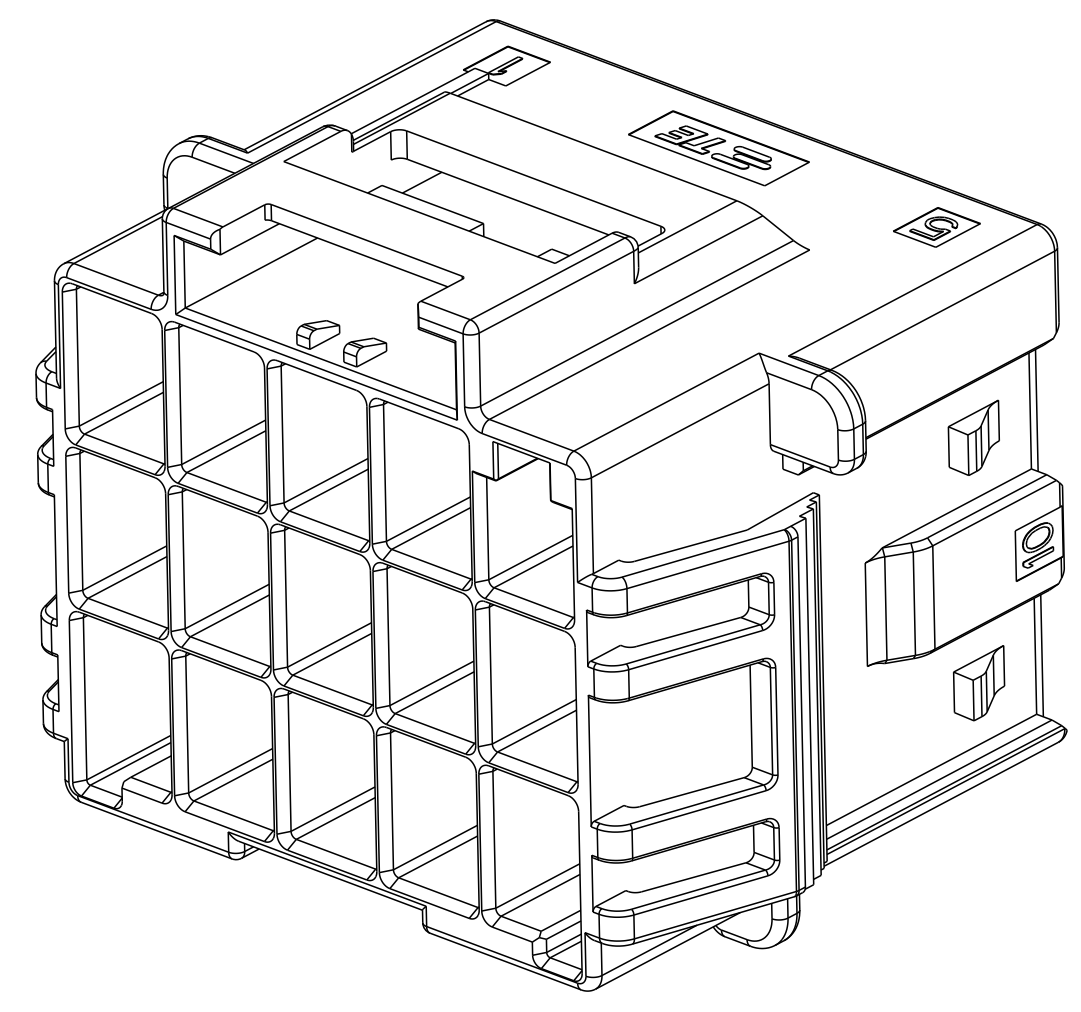
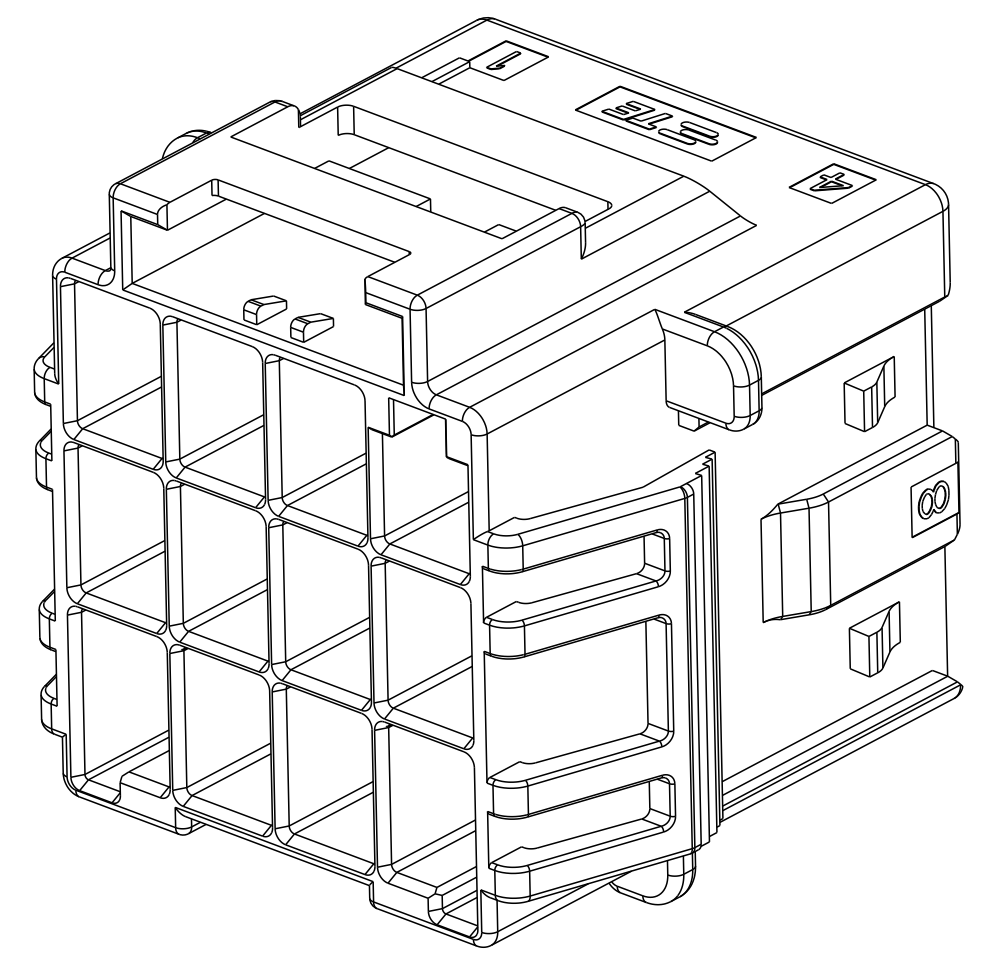
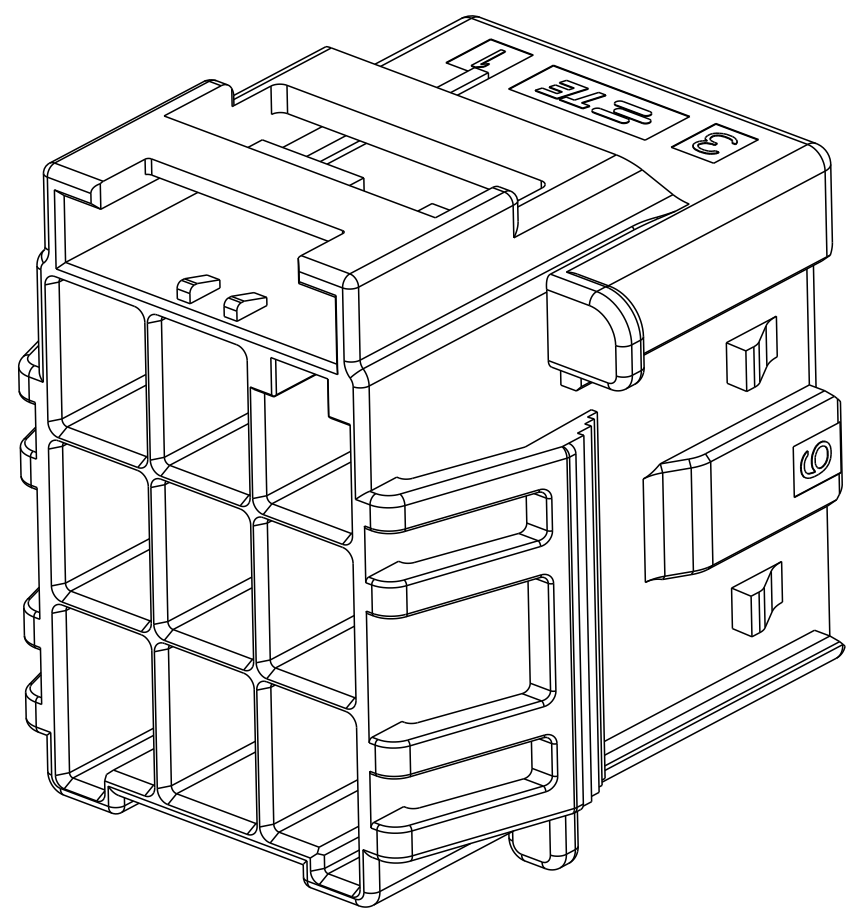
2. MATERIAL MARK:
 LEVEL A:GWT,LEVEL B:HWT
 3. APPLICABLE CONTACT P/N
 TAB CONTACT:1971238/1971780/82/84/86/88-
 4. MATING CONN. P/N
 PLUG HSG: *-2232357-
 TPA SINGLE ROW: *-1971777-
 TPA DOUBLE ROW: *-1971777-
 5. RECOMMENDED PANEL THICKNESS:1.0~2.0mm

6. This product has not completed validation testing.

POS	A	B	C	D	E
3*5	33.70	39.5	31.30	36.70	31.80
3*4	27.70	33.5	25.30	30.70	25.80
3*3	21.70	27.5	19.30		

THIS DRAWING IS A CONTROLLED DOCUMENT.		DWN: TOMMY WU 26MAR2013	TE Connectivity
DIMENSIONS: mm		CHK: HAPYE WU 26MAR2013	
TOLERANCES UNLESS OTHERWISE SPECIFIED:		APVD: YUHONG MAO 26MAR2013	NAME: CAP HOUSING, PANEL MOUNT, TRIPLE ROW POWER TRIPLE LOCK
0 PLC ±		PRODUCT SPEC	
1 PLC ±0.35		108-106118	SIZE: A100779 C=2232356
2 PLC ±0.25		APPLICATION SPEC	
3 PLC ±		114-106118	SCALE: SHEET 1 OF 2 REV B
4 PLC ±		WEIGHT	
ANGLES ±		Customer Drawing	
FINISH			

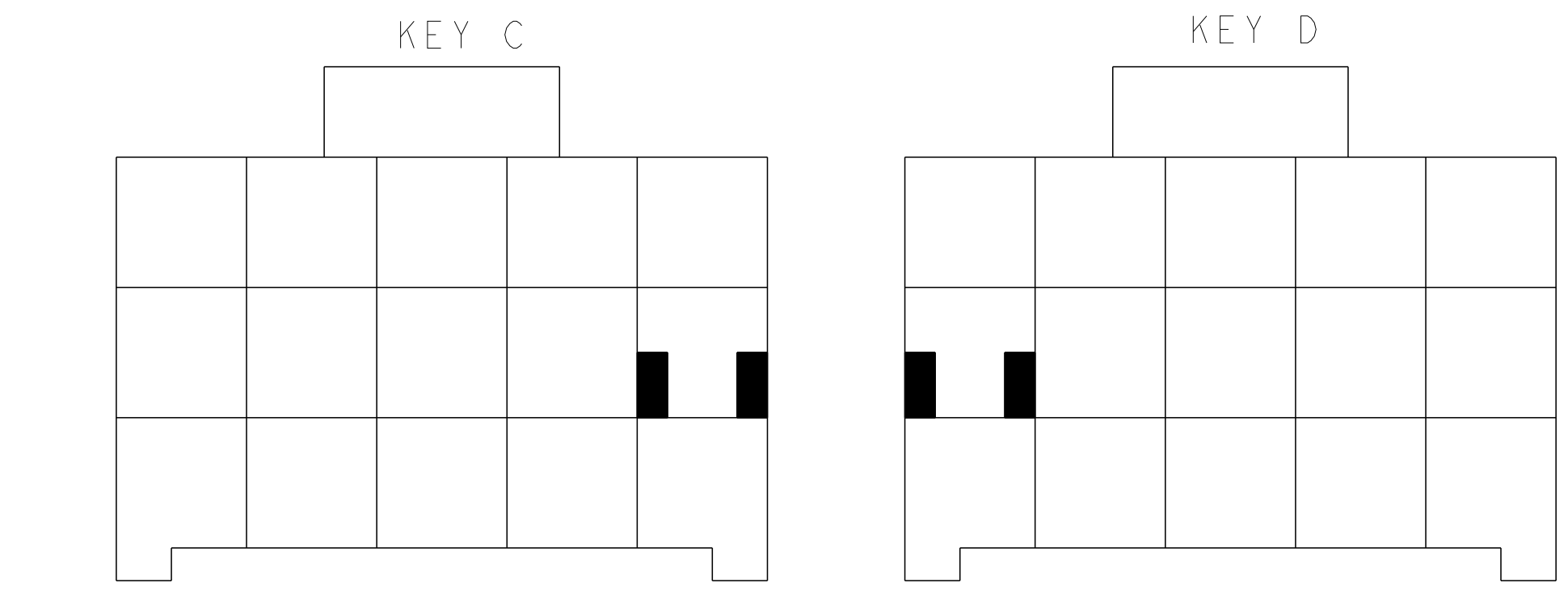
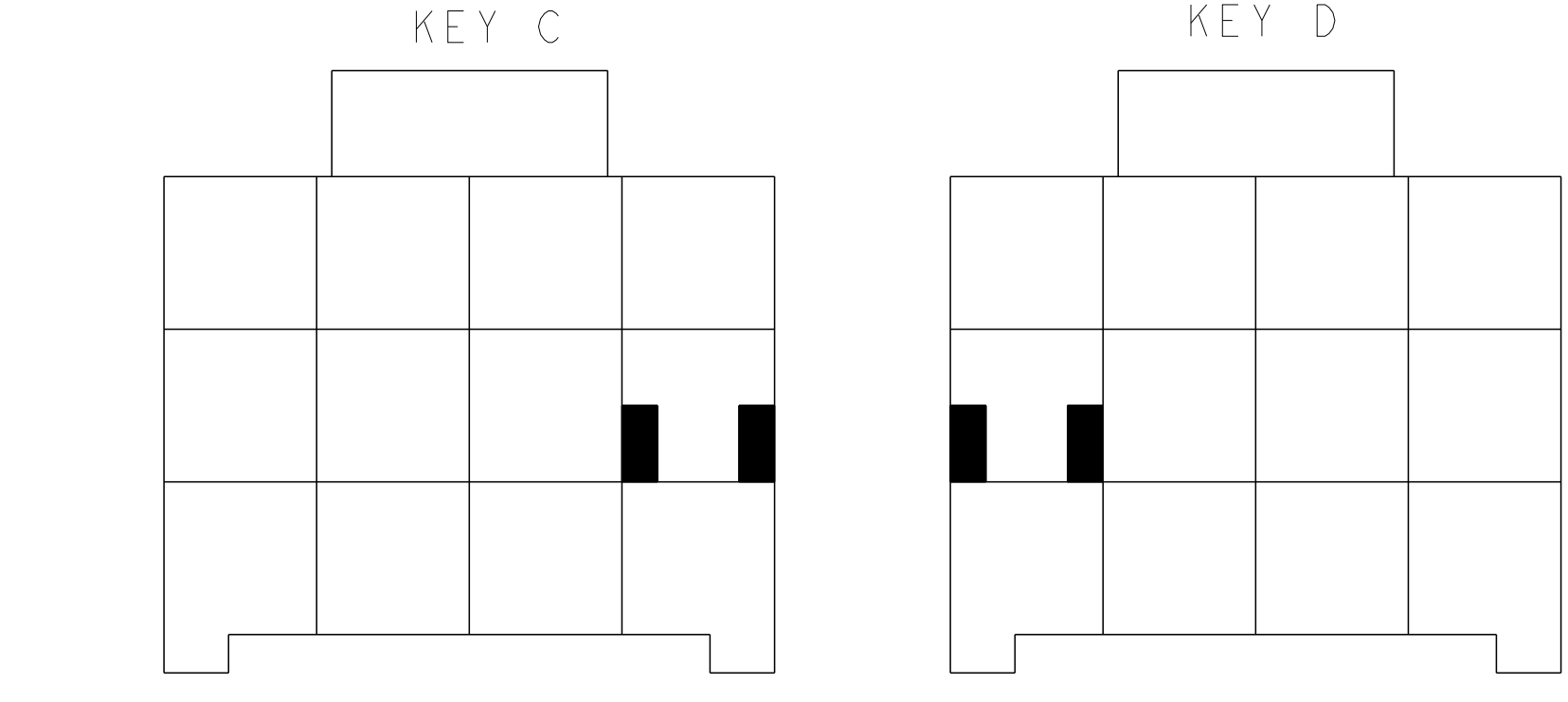
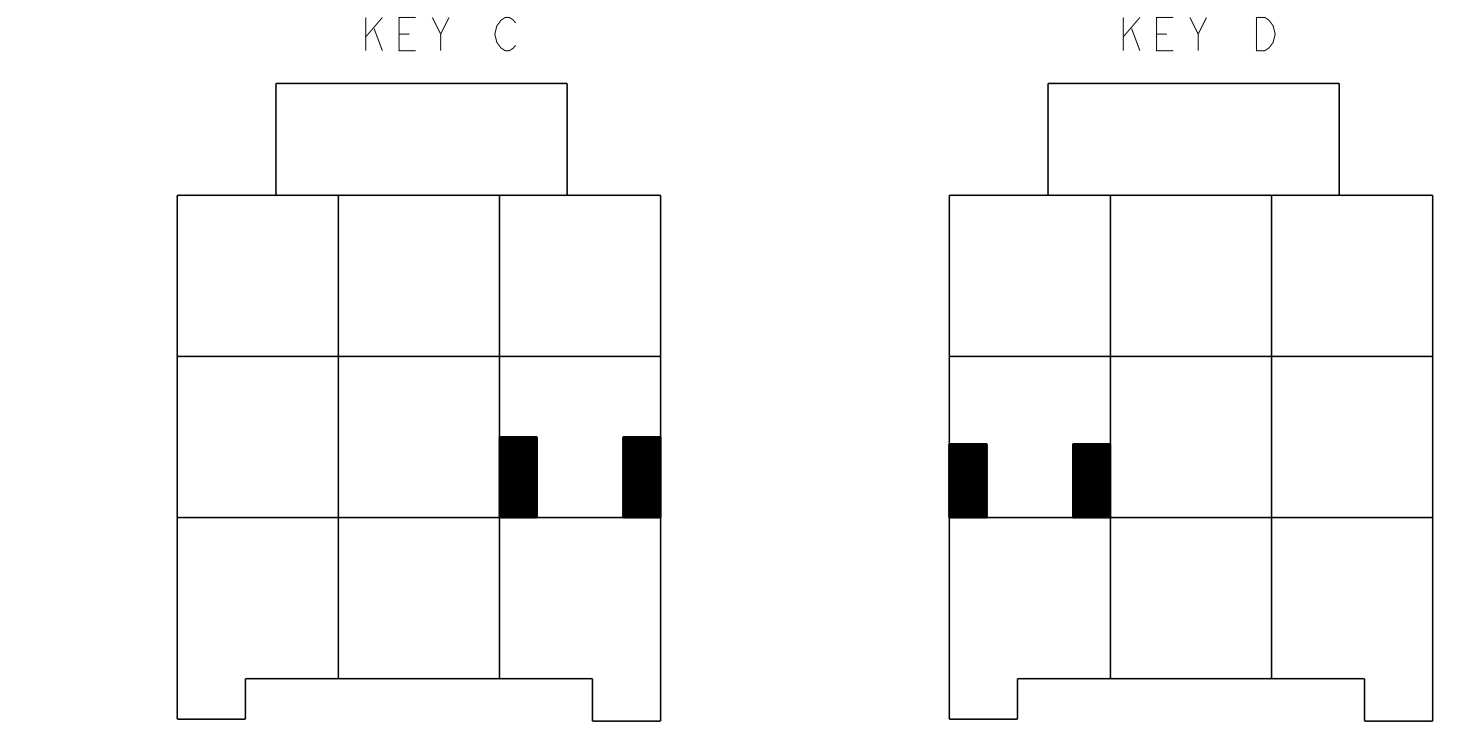
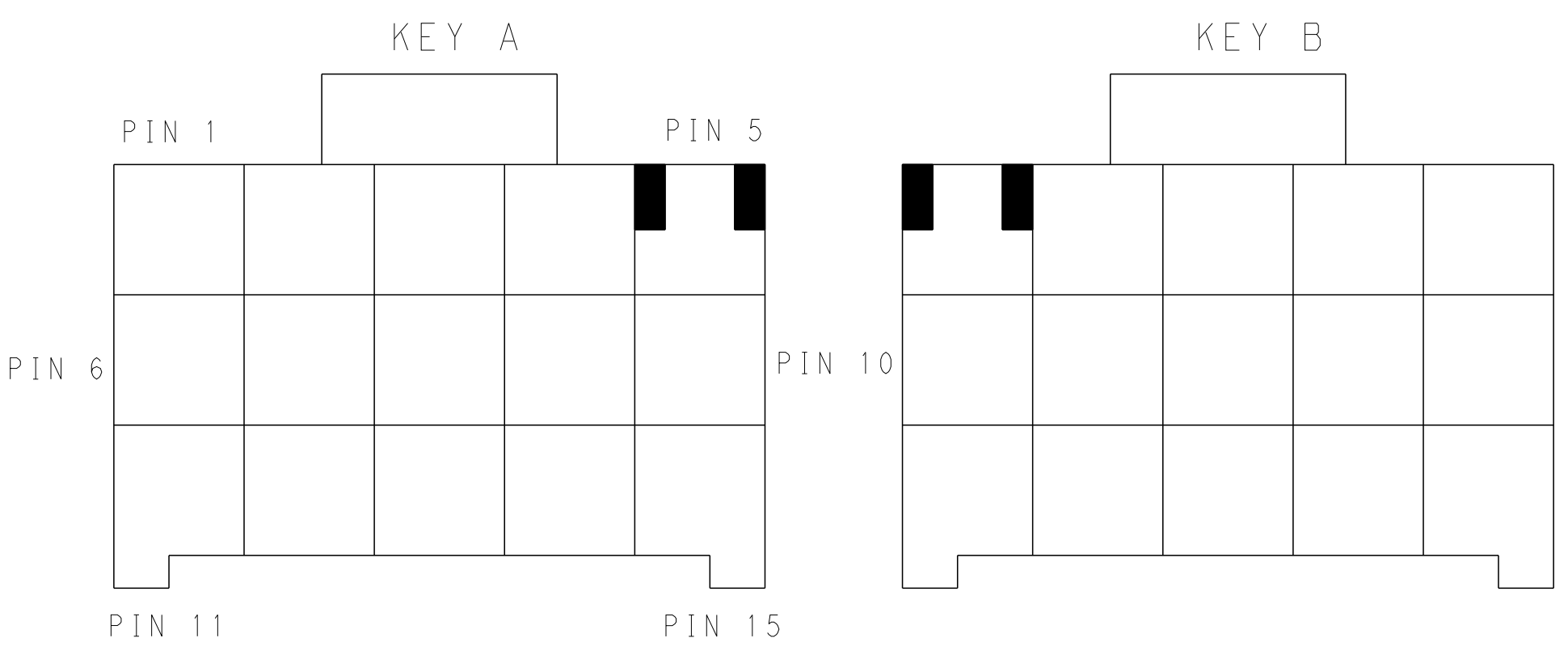
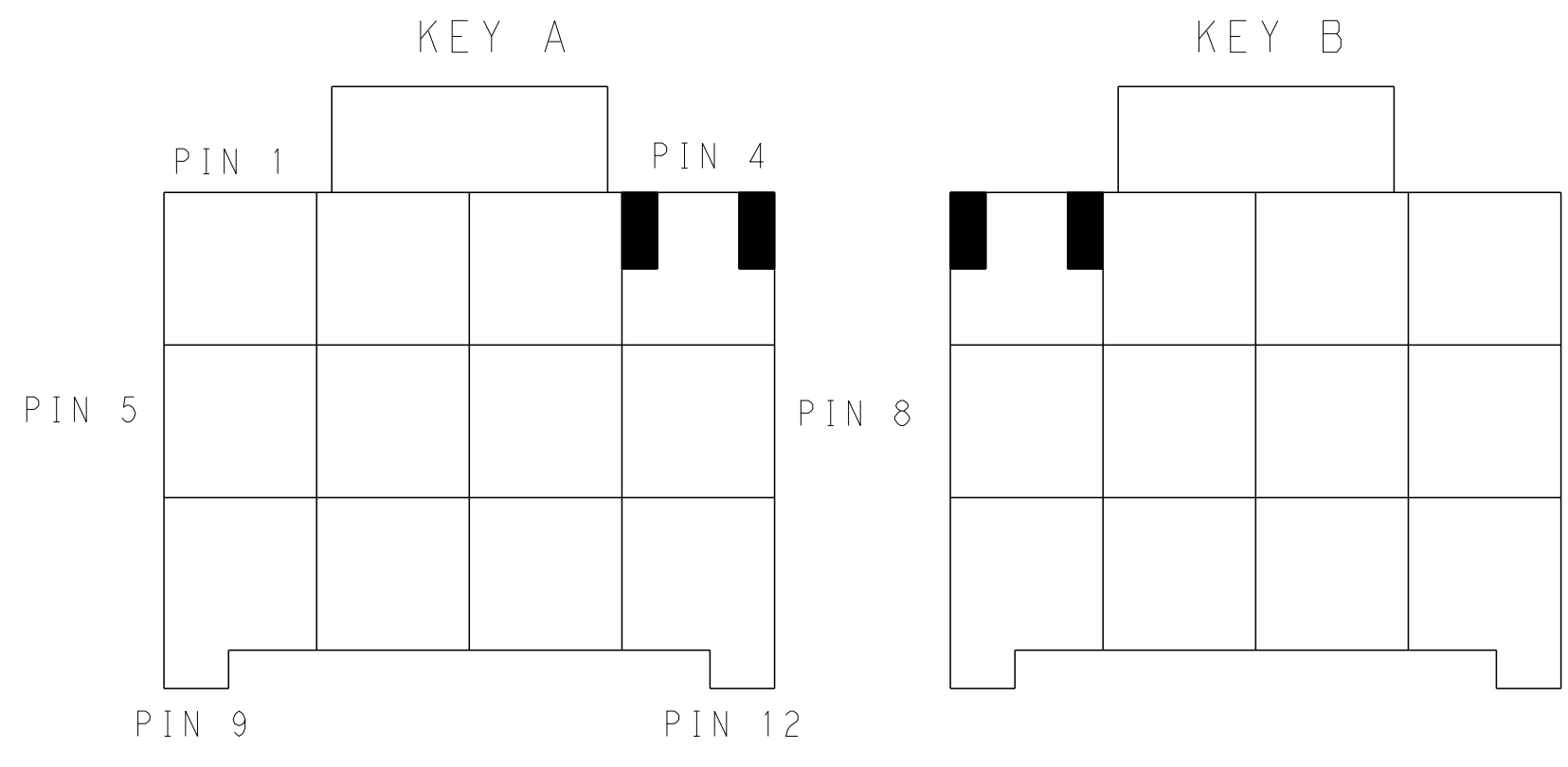
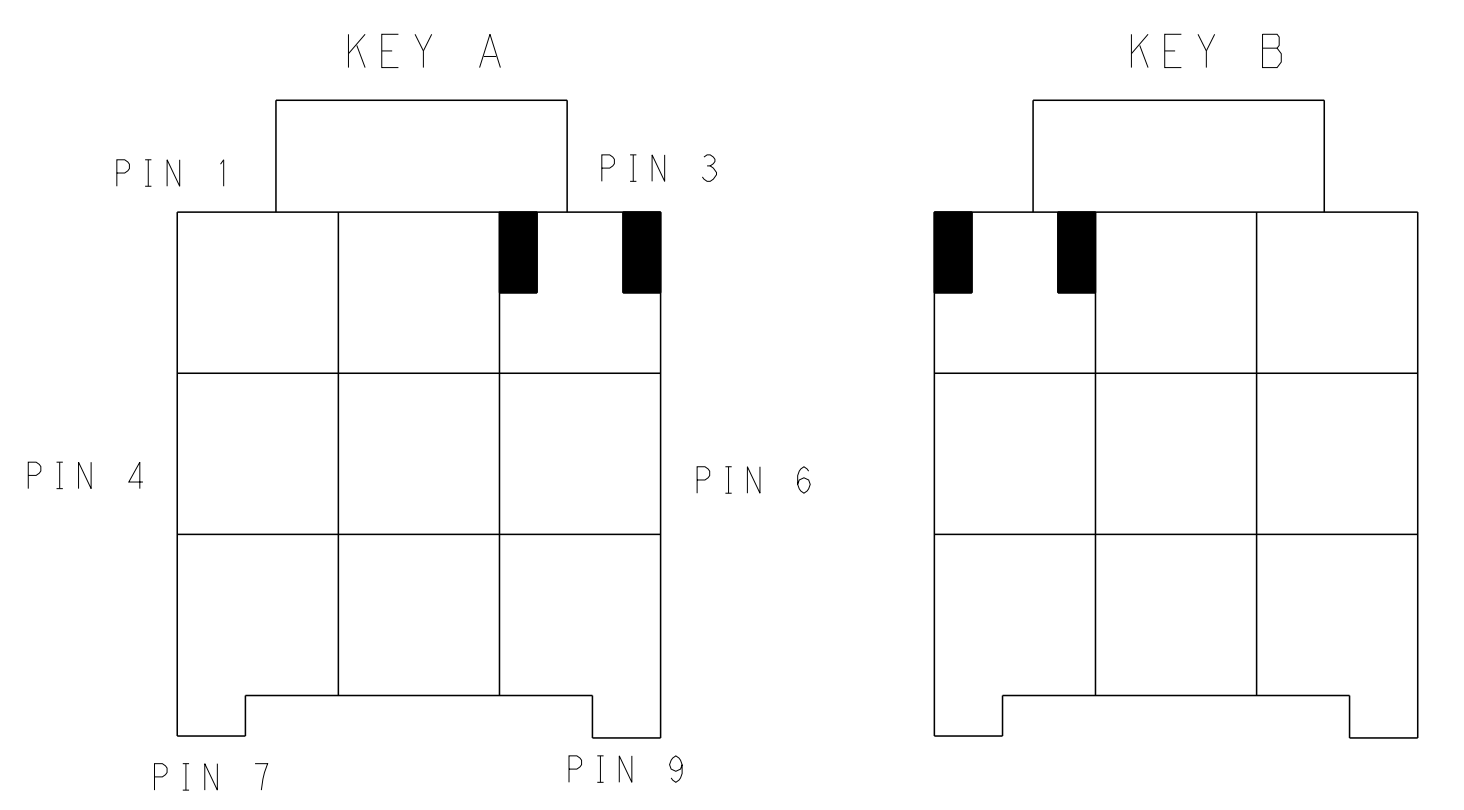
LOC		DIST		REVISIONS			
P	LTN	DESCRIPTION	DATE	OWN	APVD		
-	-	SEE SHEET 1	-	-	-		



3*3 POSITIONS

3*4 POSITIONS

3*5 POSITIONS



KEYING FOR 3*3 POS.

KEYING FOR 3*4 POS.

KEYING FOR 3*5 POS.

POS.	MATERIAL	COLOR	KEY	P/N
3*5	LEVEL A	DARK GREY	KEY A	5-2232356-7
		BROWN	KEY B	6-2232356-7
		GREEN	KEY C	7-2232356-7
		ORANGE	KEY D	8-2232356-7
3*4	LEVEL A	BLACK	KEY A	1-2232356-5
		DARK GREY	KEY A	5-2232356-4
		BROWN	KEY B	6-2232356-4
		GREEN	KEY C	7-2232356-4
3*3	LEVEL A	ORANGE	KEY D	8-2232356-4
		DARK GREY	KEY A	5-2232356-3
		BROWN	KEY B	6-2232356-3
		GREEN	KEY C	7-2232356-3
LEVEL B	BLACK	KEY A	1-2232356-6	
		KEY A	1-2232356-6	

THIS DRAWING IS A CONTROLLED DOCUMENT.

OWN: TOMMY WU 26MAR2013
 CHK: HAPYE WU 26MAR2013
 APVD: YUHONG MAO 26MAR2013

DIMENSIONS: mm
 TOLERANCES UNLESS OTHERWISE SPECIFIED:
 0 PLC ±
 1 PLC ±0.35
 2 PLC ±0.25
 3 PLC ±
 4 PLC ±
 ANGLES ±

MATERIAL: FINISH:

Customer Drawing

TE Connectivity

NAME: CAP HOUSING, PANEL MOUNT, TRIPLE ROW POWER TRIPLE LOCK

SIZE: A1 00779 C=2232356

RESTRICTED TO: SCALE: SHEET 2 OF 2 REV B

X-ON Electronics

Largest Supplier of Electrical and Electronic Components

Click to view similar products for [Hard Metric Connectors](#) category:

Click to view products by [TE Connectivity](#) manufacturer:

Other Similar products are found below :

[10146110-VR5C](#) [6345127-1](#) [646916-9](#) [6469658-1](#) [853016](#) [973108](#) [1-2000713-0](#) [1-2000713-2](#) [1-2000713-3](#) [120646-1](#) [134187](#) [1645343-1](#)
[1645456-1](#) [1645594-1](#) [1645601-1](#) [1934822-1](#) [2000829-2](#) [2000985-2](#) [223085-1](#) [278071110010833](#) [1645179-1](#) [1645245-1](#) [1645457-1](#)
[1645525-1](#) [1645570-1](#) [1645596-1](#) [1857470-1](#) [1934275-1](#) [1934289-1](#) [1934759-1](#) [2000673-1](#) [2000984-2](#) [204975](#) [2170292-2](#) [2-536642-6](#) [3-](#)
[100668-0](#) [352188-1](#) [352629-1](#) [3-646346-0](#) [3-646356-0](#) [3-646457-0](#) [3-646529-0](#) [3-646530-0](#) [5120823-1](#) [5120899-1](#) [3-100145-0](#) [3-100147-0](#)
[3-100669-1](#) [HM2DK2368PLF](#) [5646530-1](#)