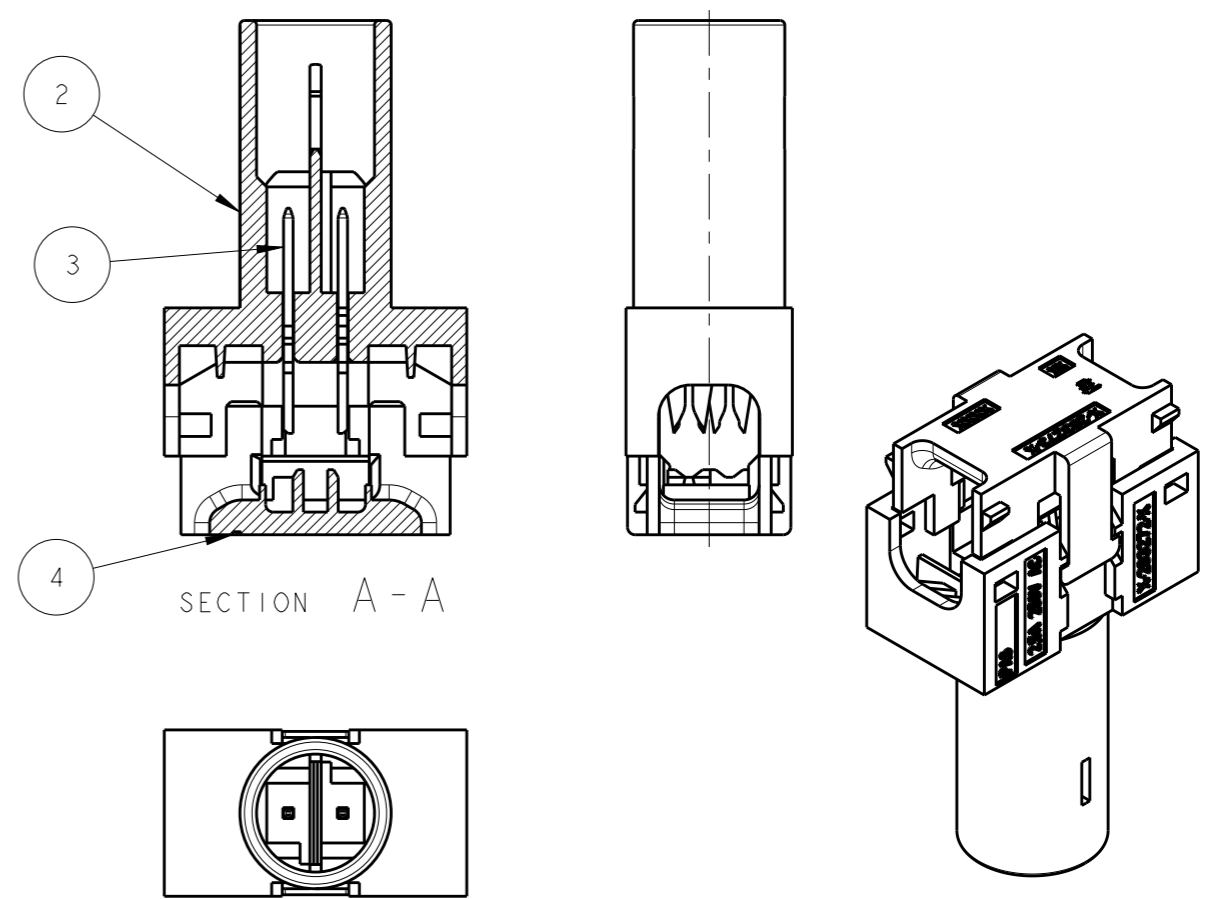
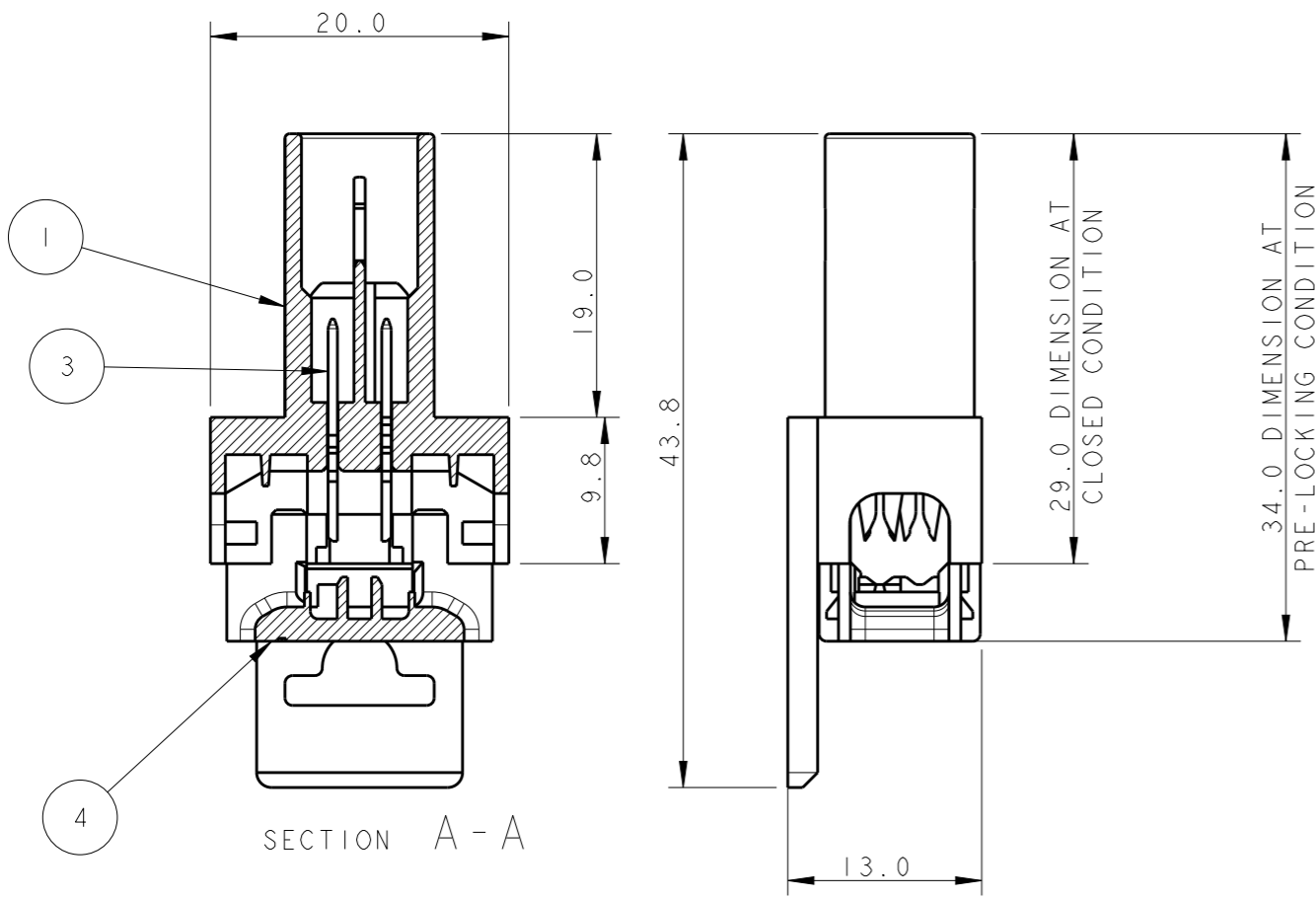


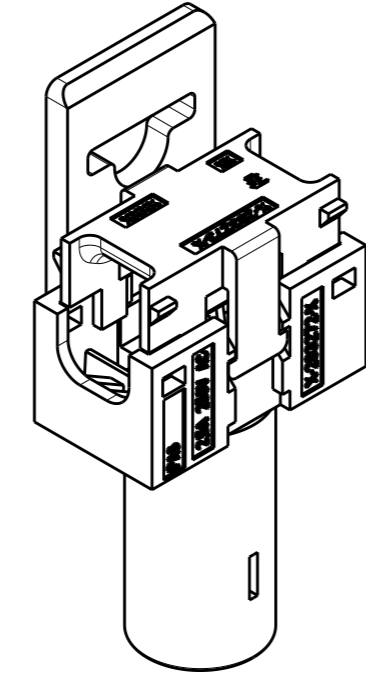
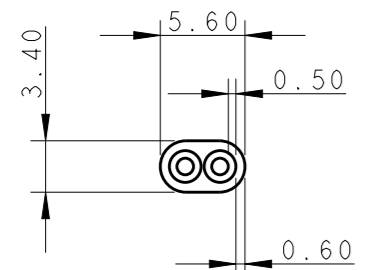
THIS DRAWING IS UNPUBLISHED. RELEASED FOR PUBLICATION 20
 © COPYRIGHT 20 Tyco Electronics AMP GmbH ALL RIGHTS RESERVED.

LOC	DIST	REVISIONS				
P	LTR	DESCRIPTION	DATE	DWN	APVD	
A1	-	L	IMPROVED LOCKING RETENTION TEETH	20MAY2011	AV	GT
		M	REMOVED H05VVH2-F CABLE	22AUG2012	MZ	JC
		N	ECR-16-004670	26APR2016	RS	JL



CABLE CONFIGURATION

CABLE H03VVH2-F
2x0.75 mm²



P/N 0-293300-1;-2 AS SHOWN
POLARIZATION KEY HV-1

MISSING DIMENSION SEE P/N 0-...-1

P/N 0-293300-3;-4 AS SHOWN
POLARIZATION KEY HV-1

THIS DRAWING IS A CONTROLLED DOCUMENT.		DWN A. Vecchia 23APR2007	TE Connectivity	
DIMENSIONS: mm		CHK G. Turco 23APR2007		
TOLERANCES UNLESS OTHERWISE SPECIFIED:		APVD G. Turco 23APR2007	NAME BUS BAR 2 POSITION GENERAL	
0 PLC ±- 1 PLC ±0.3 2 PLC ±0.05 3 PLC ±- 4 PLC ±- ANGLES ±°		PRODUCT SPEC 108-94018	SIZE A300779	
MATERIAL -		APPLICATION SPEC 114-20131	CAGE CODE C-293300	DRAWING NO -
FINISH -		WEIGHT -	RESTRICTED TO -	
CUSTOMER DRAWING			SCALE 2:1	SHEET 1 OF 2
			REV N	

X-ON Electronics

Largest Supplier of Electrical and Electronic Components

Click to view similar products for [Lighting Connectors](#) category:

Click to view products by [TE Connectivity](#) manufacturer:

Other Similar products are found below :

[21061-9](#) [293300-7](#) [2106117-2](#) [293660-5](#) [293700-2](#) [CNX_H03_NTP](#) [30-9767-BU](#) [3-21030-1](#) [ZCH-110-RGB-I](#) [503471-0290](#) [ES5P09K4F2](#)
[CNXH02NTP](#) [ZCH-110-RGB-J](#) [217-0716-200](#) [192992-0057](#) [1954563-1](#) [217-3030-000](#) [217-3032-000](#) [237-0734-003](#) [DTS24W25-20PN-LC](#)
[1-2213614-2](#) [2834049-3](#) [ES9S002SZZ](#) [2834049-2](#) [2-2834067-3](#) [1-293657-2](#) [2834049-1](#) [293699-2](#) [293701-3](#) [1-2213614-3](#) [2834036-1](#)
[2834037-1](#) [2213614-3](#) [2307526-2](#) [2-2106124-3](#) [2-2834068-3](#) [FLS2SC4001BP](#) [FLSC80352000](#) [FLSC80354000](#) [FLSC80353000](#) [FLSSB8002](#)
[FLSSB8001](#) [FLSC80351000](#) [FLSC80355000](#) [FLSSB4001](#) [FLSC80504000](#) [FLSC80502000](#) [FLSC80501000](#) [FLSSR4001](#) [FLSC80505000](#)