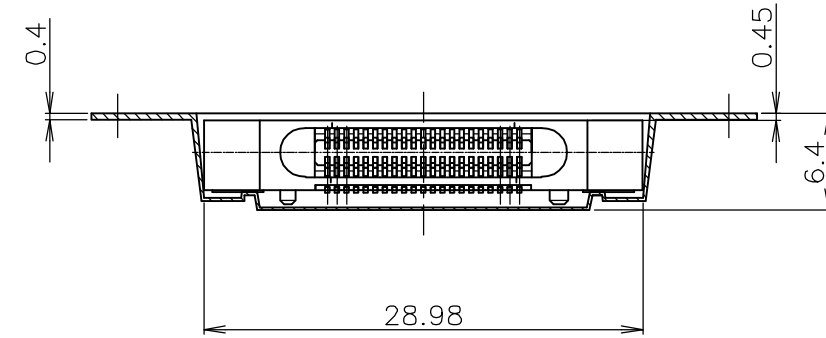
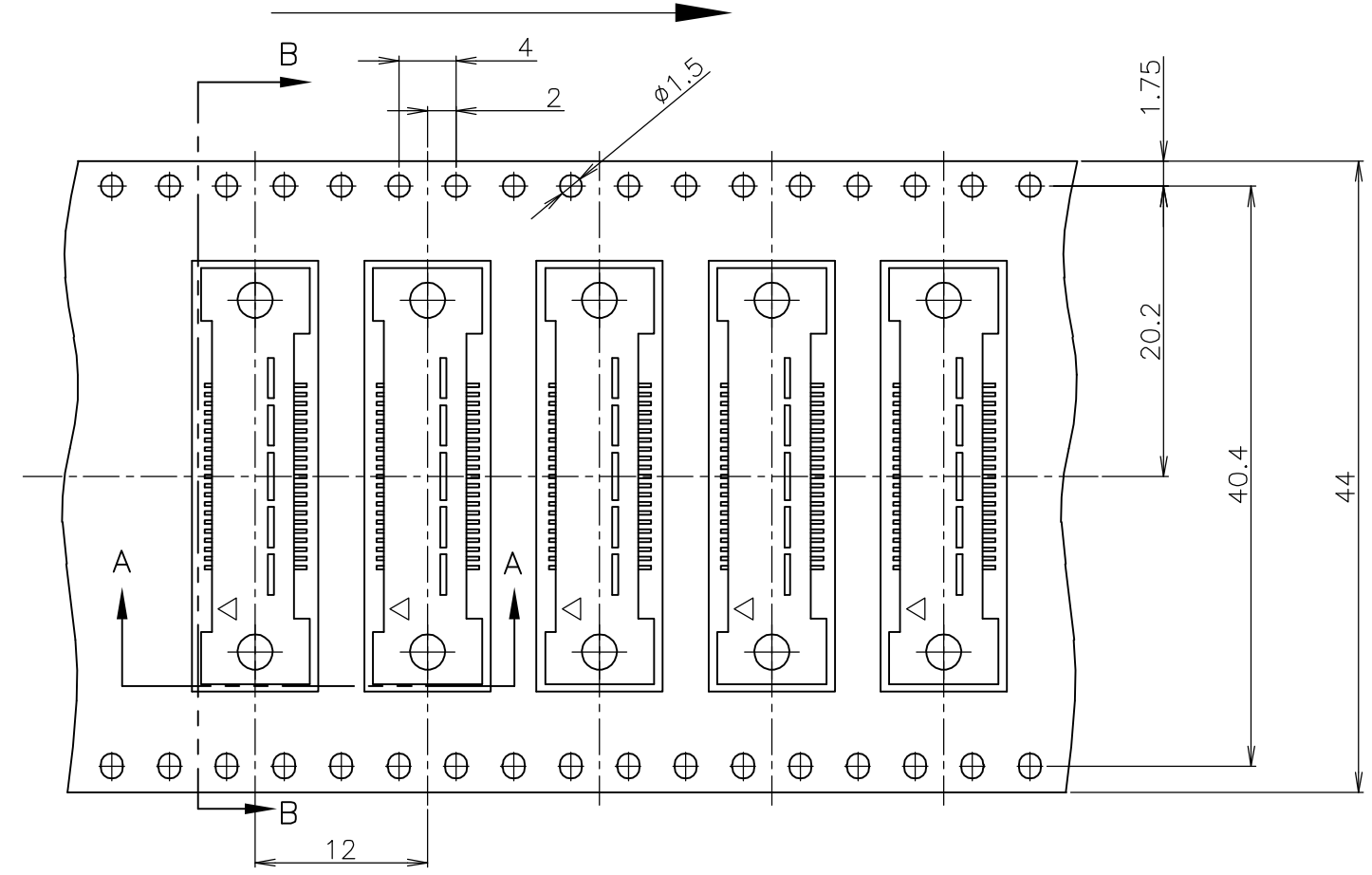


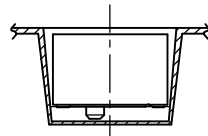
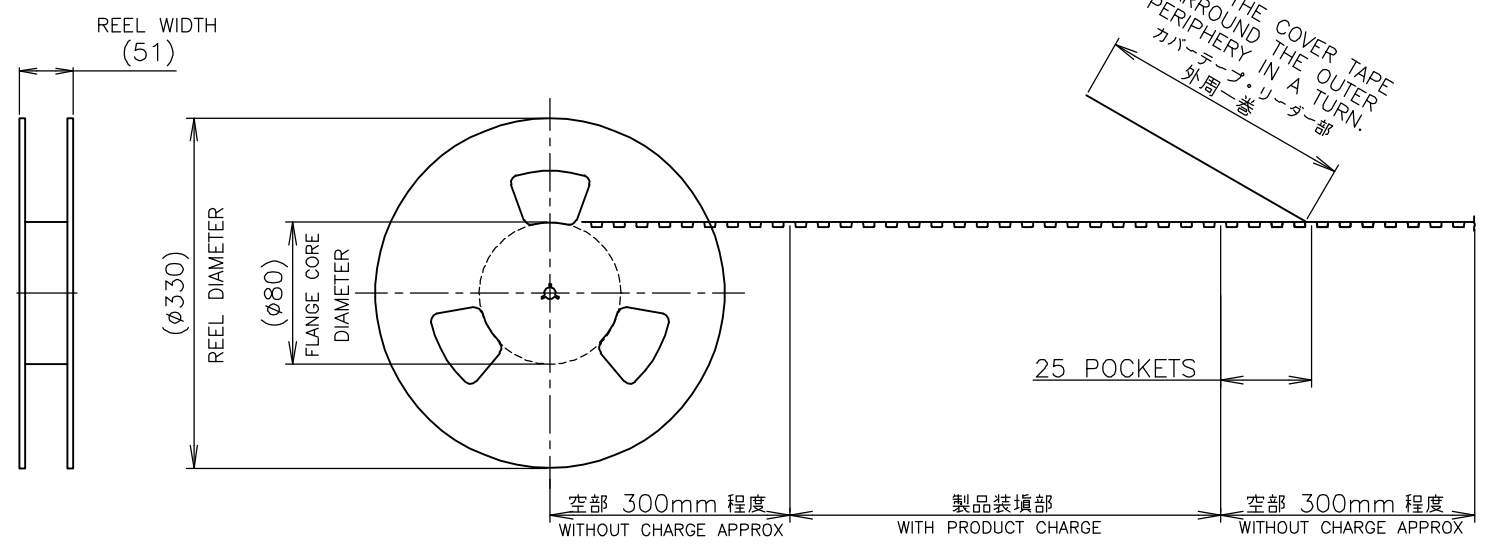
THIS DRAWING IS UNPUBLISHED. RELEASED FOR PUBLICATION JAN , 2005.  
 © COPYRIGHT 2005 BY TYCO ELECTRONICS CORPORATION. ALL RIGHTS RESERVED.

LOC	DIST	REVISIONS		
		P	LTR	DESCRIPTION
J		A	RELEASED	DATE: 29NOV05 DWN: H.F APVD: Y.Y

リール引き出し方向  
DIRECTION OFF TOP OF REEL



WINDING THE COVER TAPE  
AROUND THE OUTER  
PERIPHERY IN A TURN.  
カバーテープ・リール部  
外周一巻



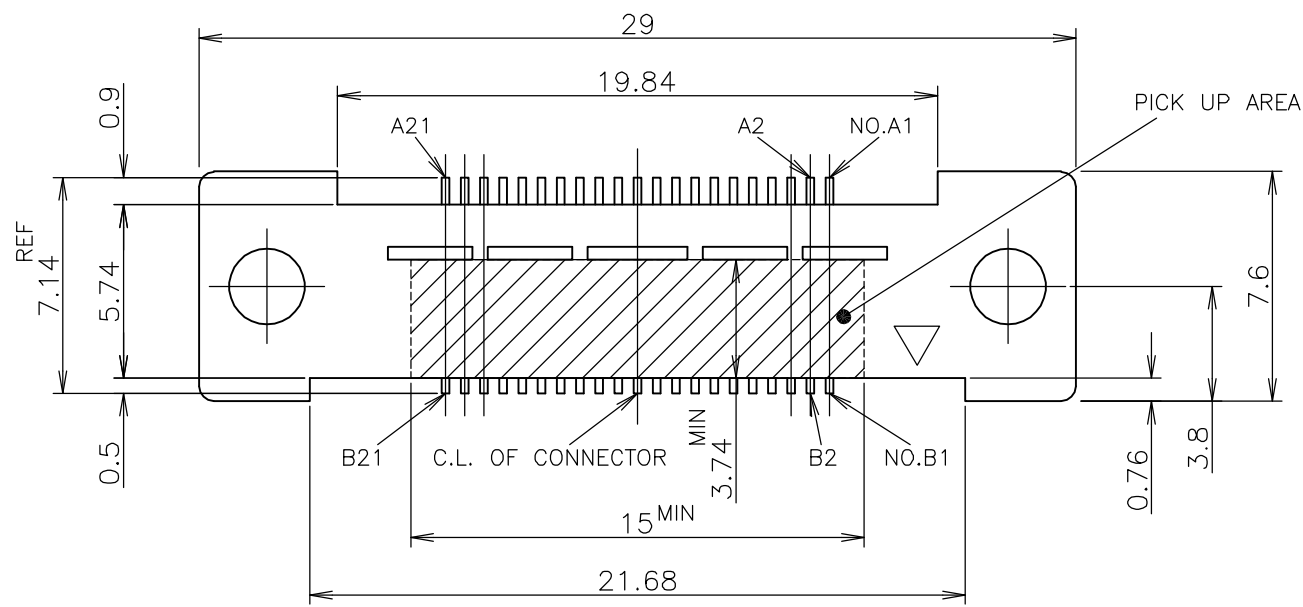
△ 材料;  
エンボステープ : PS  
カバーテープ : PET

△ MATERIAL ;  
EMBOSS TAPE : PS  
COVER TAPE : PET

THIS DRAWING IS A CONTROLLED DOCUMENT.		DWN H.FUKUZAKI 29NOV05	WITH BOSS 800 1903260-1	
DIMENSIONS: 単位: 耗 mm		CHK H.FUTATSUGI 29NOV05	REMARKS QTY PART NUMBER	
TOLERANCES UNLESS OTHERWISE SPECIFIED: 一般公差		APVD Y.YAMAMOTO 29NOV05	Tyco Electronics AMP K.K. Kawasaki, Japan	
0-PLC ±		PRODUCT SPEC 製品規格 108-78235	NAME 名称 EMOSS ASSY 0.635mm PITCH BAY CONN. RECEPTACLE.	
1-PLC ± ±0.3		APPLICATION SPEC 取付適用規格	SIZE A3	CAGE CODE 00779
2-PLC ±		WEIGHT	DRAWING NO 番号 C-1903260	RESTRICTED TO
3-PLC ±		MATERIAL 材料 △	CUSTOMER DRAWING	
4-PLC ±			SCALE 尺度 NTS	SHEET 1 OF 3
ANGLES ±3'				
FINISH 仕上				

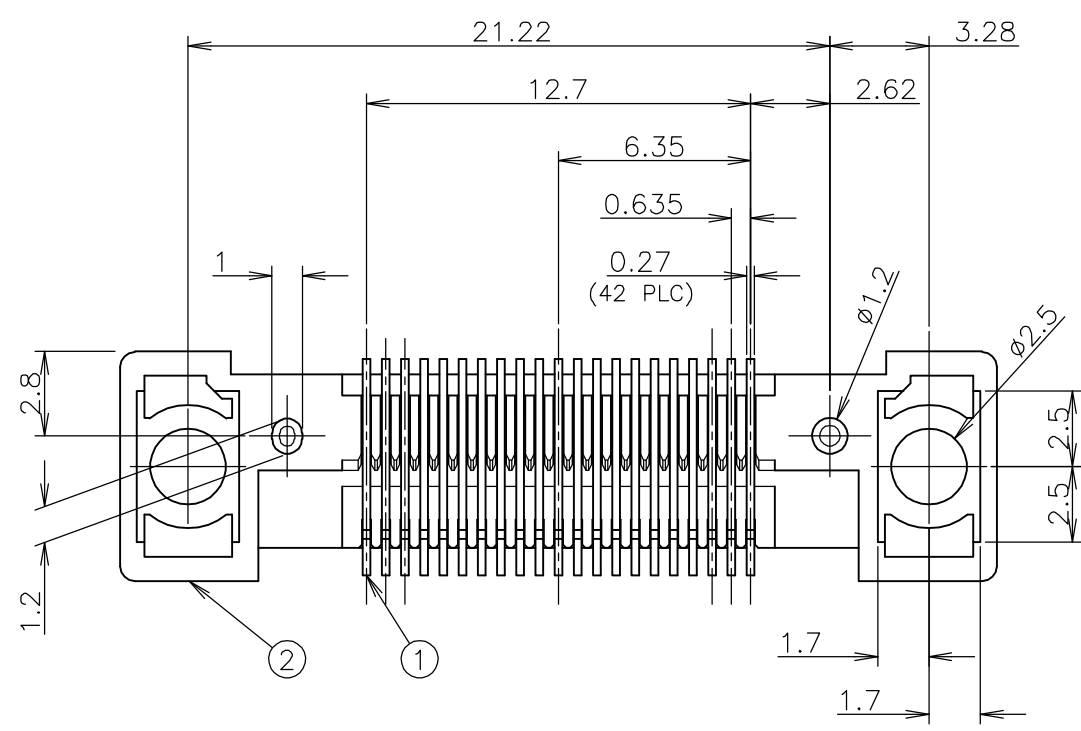
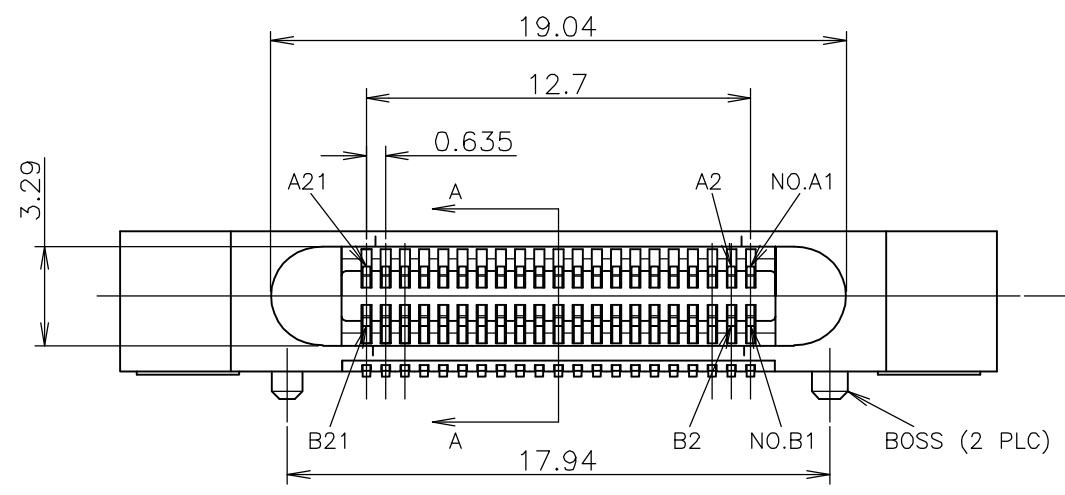
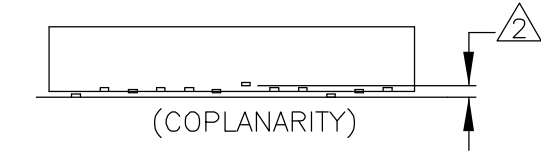
THIS DRAWING IS UNPUBLISHED. RELEASED FOR PUBLICATION  
 © COPYRIGHT BY TYCO ELECTRONICS CORPORATION. ALL RIGHTS RESERVED.

LOC	DIST	REVISIONS					
		P	LTR	DESCRIPTION	DATE	DWN	APVD
J	/			SEE SHEET 1	-	-	-



注記  
 1 材質：  
 ハウジング；熱可塑性樹脂（UL94V-0、黒色）  
 コンタクト；銅合金  
 仕上げ；全面ニッケル下地めっき  
 接点部 金めっき  
 はんだ付け部 すずめっき  
 △2 コネクタを平坦面に置き、タインの浮きは0.1以下。  
 3 一般公差：±0.3、±3°

NOTE  
 1 MATERIAL  
 HOUSING : THERMO-PLASTICS(UL94V-0,BLACK)  
 CONTACT : COPPER ALLOY  
 FINISH : ALL OVER Ni UNDER PLATING.  
 Au PLATING ON CONTACT AREA  
 Sn PLATING ON TINE AREA  
 △2 MUST BE MEASURED FLOATING AMOUNT OF TINE  
 FROM DATUM SURFACE IS 0.1 MAX.  
 3 GENERAL TOLERANCE : ±0.3,±3°



THIS DRAWING IS A CONTROLLED DOCUMENT.		DWN	Tyco Electronics AMP K.K.	
DIMENSIONS: 単位： 耗 mm		CHK	Kawasaki, Japan	
TOLERANCES UNLESS OTHERWISE SPECIFIED: 一般公差		APVD	NAME 名称	
0 PLC ± -		PRODUCT SPEC 製品規格	EMBOSS ASSY	
1 PLC ± -		APPLICATION SPEC 取付適用規格	0.635mm PITCH BAY CONN. RECEPTACLE	
2 PLC ± -		WEIGHT	SIZE	CAGE CODE
3 PLC ± -		CUSTOMER DRAWING	A3	00779
4 PLC ± -			DRAWING NO 番号	C-1903260
ANGLES ± -		RESTRICTED TO	-	
FINISH 仕上		SCALE 尺度	4:1	SHEET 2 OF 3
MATERIAL 材料		REV	A	



## X-ON Electronics

Largest Supplier of Electrical and Electronic Components

*Click to view similar products for [Headers & Wire Housings](#) category:*

*Click to view products by [TE Connectivity](#) manufacturer:*

Other Similar products are found below :

[95000-104TRLF](#) [10135584-644402LF](#) [DF62W-EP2022PCA](#) [95000-106TRLF](#) [DF62W-2022SCA](#) [DF62W-EP2022PC](#) [2203348](#) [DF62W-2022SC](#) [1084018](#) [1029039](#) [1084017](#) [802-10-012-10-002000](#) [1112640](#) [1112639](#) [000-34000](#) [0009482033](#) [0009507031](#) [57102-S06-03LF](#) [57202-S52-04LF](#) [PCN6-15S-2.5E](#) [0039019024](#) [58102-G61-06LF](#) [582553-1](#) [0009485154](#) [0009508121](#) [0022285053](#) [0050291907](#) [018731A](#) [LY20-4P-DT1-P1E-BR](#) [02.125.8002.8](#) [60101931](#) [60598-1 \(Cut Strip\)](#) [M1625-3R/100](#) [61062-3](#) [61082-181009](#) [636-1427](#) [638009-1](#) [641938-9](#) [641991-4](#) [644168-1](#) [647662-1](#) [65039-019ELF](#) [65817-002LF](#) [65817-015LF](#) [65863-015LF](#) [66207-023LF](#) [67016-026LF](#) [67046-001LF](#) [67095-007LF](#) [67230-005LF](#)