

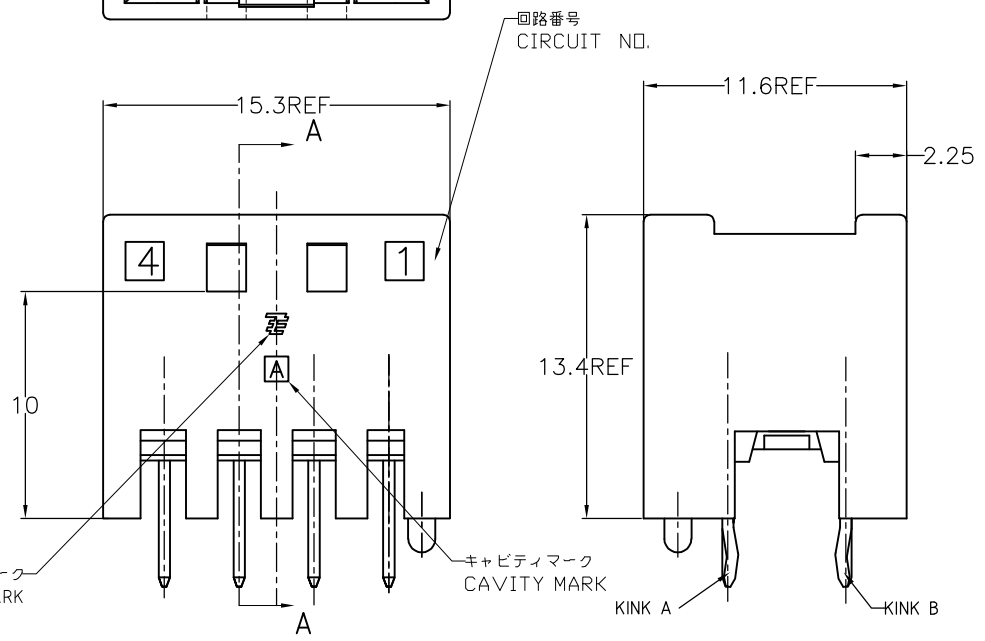
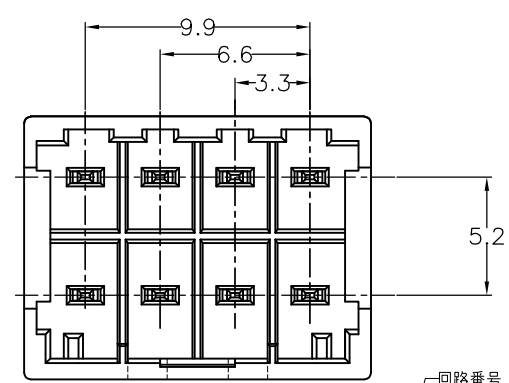
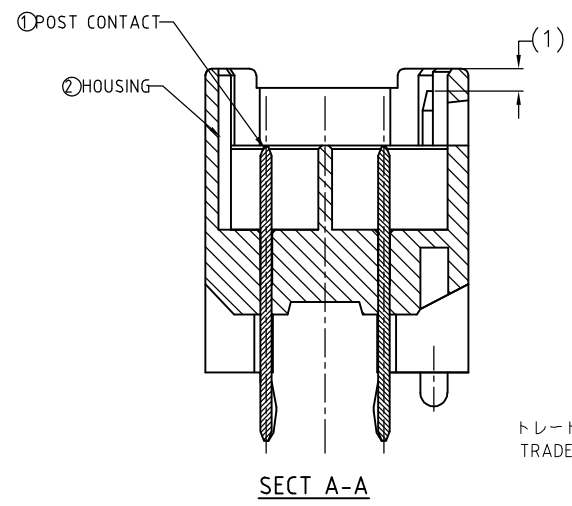
THIS DRAWING IS UNPUBLISHED. RELEASED FOR PUBLICATION
 © COPYRIGHT BY TYCO ELECTRONICS CORPORATION. ALL RIGHTS RESERVED.

LOC	DIST	REVISIONS					
		P	LTR	DESCRIPTION	DATE	DWN	APVD
J	—		E1	REVISED PER ECR-10-019980	04OCT10	HMR	TM

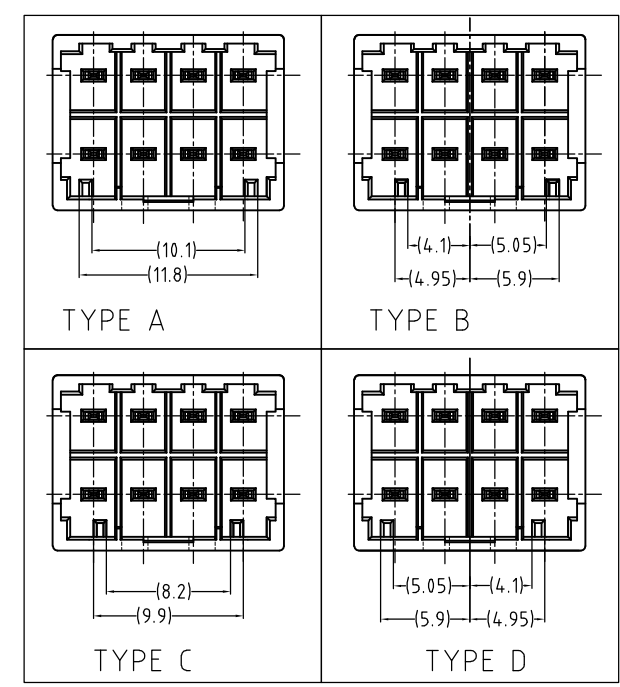
TABLE

NO.	名称 (NAME)	材料 (MATERIAL)
②	ヘッダーハウジング (HEADER HOUSING)	6/6ナイロンガラス強化 (6/6 NYLON GRASS FILLED)
①	ポストコンタクト (POST CONTACT)	錫めっき仕上げ 銅合金 (COPPER ALLOY TIN PLATED)

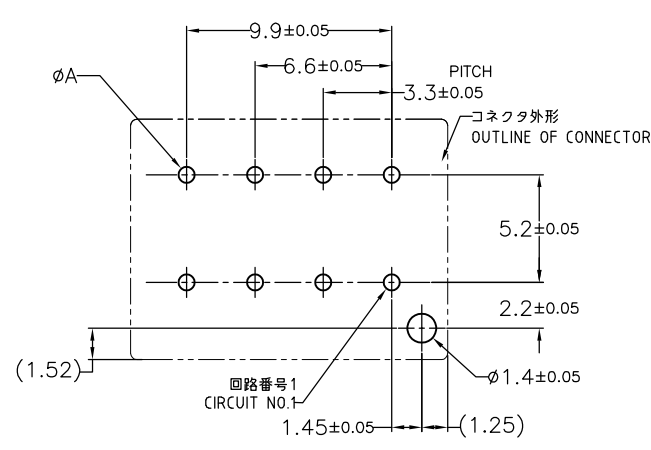
- 注)
 1. 取付穴寸法
 2. 適応基板厚: 1.6t
 3. かん合相手製品型番:
 プラグハウジング: SEE TABLE
- NOTES)
 1. RECOMMENDED P.C.B LAY OUT
 2. APPLICABLE P.C.B. THICKNESS:1.6
 3. MATING CONN. P/N
 PLUG HOUSING :SEE TABLE



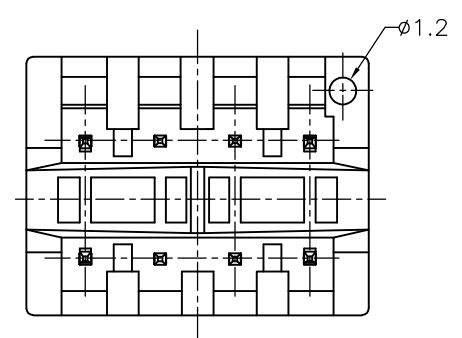
TYPE OF KEYING



PCB. LAYOUT ON RECOMMENDATION



パンチ加工 (PUNCHED HOLE)	0.7 ^{+0.1} ₋₀
ドリル加工 (DRILLED HOLE)	0.8 ±0.05
	A 寸法 DIM. A



*-1827387-3	WITHOUT	TYPE C	BLUE	7-1827393-3	
*-1827387-1	WITHOUT	TYPE A	NATURAL	5-1827393-1	
*-1827387-3	WITH	TYPE C	BLUE	2-1827393-3	
*-1827387-1	WITH	TYPE A	NATURAL	1827393-1	
MATING CONN. P/N	3	KINK	TYPE OF KEYING	COLOR	PART NUMBER

KINK FORM

× CHARACTER S IS STRAIGHT PIN.

8 POS	KINK FORM	B	S	S	B
	CIRCUIT NO.	5	6	7	8
8 POS	KINK FORM	A	S	S	A
	CIRCUIT NO.	1	2	3	4

THIS DRAWING IS A CONTROLLED DOCUMENT.

DWN	T.HATANO	19APR2005	 Tyco Electronics AMP K.K. Kawasaki, Japan
CHK	N.YAMASAKI	19APR2005	
APVD	N.YAMASAKI	19APR2005	
NAME	N.YAMASAKI		
PRODUCT SPEC	製品規格 108-78231		GRACE INERTIA CONNECTOR 3.3 HEADER ASSEMBLY 8POS
APPLICATION SPEC	取付適用規格		SIZE: A3 CAGE CODE: 00779 DRAWING NO: 1827393
WEIGHT	-		RESTRICTED TO: -
CUSTOMER DRAWING			SCALE: 3:1 SHEET: 1 OF 1 REV: E1

X-ON Electronics

Largest Supplier of Electrical and Electronic Components

Click to view similar products for [Headers & Wire Housings](#) category:

Click to view products by [TE Connectivity](#) manufacturer:

Other Similar products are found below :

[95000-104TRLF](#) [10135584-644402LF](#) [DF62W-EP2022PCA](#) [95000-106TRLF](#) [DF62W-2022SCA](#) [DF62W-EP2022PC](#) [2203348](#) [DF62W-2022SC](#) [1084018](#) [1029039](#) [1084017](#) [802-10-012-10-002000](#) [1112640](#) [1112639](#) [000-34000](#) [0009482033](#) [0009507031](#) [57102-S06-03LF](#) [57202-S52-04LF](#) [PCN6-15S-2.5E](#) [0039019024](#) [58102-G61-06LF](#) [582553-1](#) [0009485154](#) [0009508121](#) [0022285053](#) [0050291907](#) [018731A](#) [LY20-4P-DT1-P1E-BR](#) [02.125.8002.8](#) [60101931](#) [60598-1 \(Cut Strip\)](#) [M1625-3R/100](#) [61062-3](#) [61082-181009](#) [636-1427](#) [638009-1](#) [641938-9](#) [641991-4](#) [644168-1](#) [647662-1](#) [65039-019ELF](#) [65817-002LF](#) [65817-015LF](#) [65863-015LF](#) [66207-023LF](#) [67016-026LF](#) [67046-001LF](#) [67095-007LF](#) [67230-005LF](#)