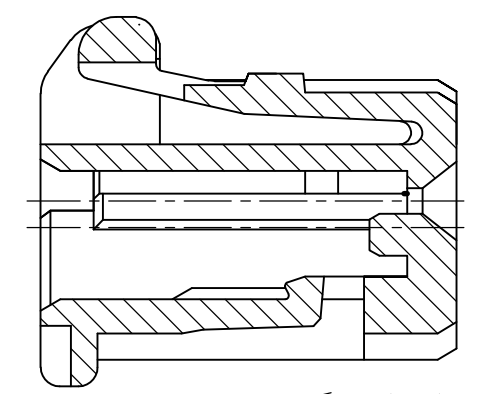
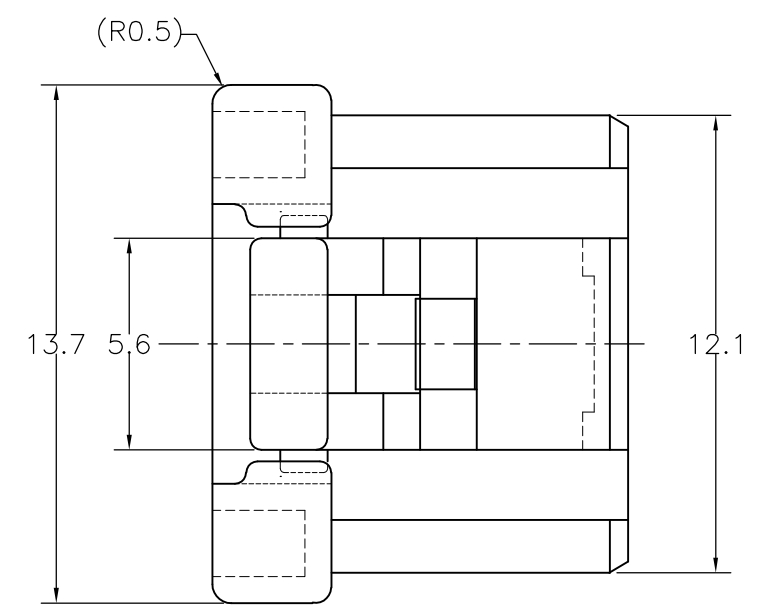


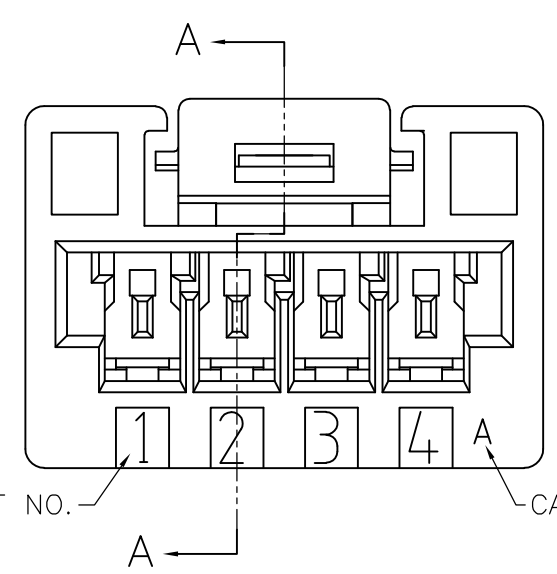
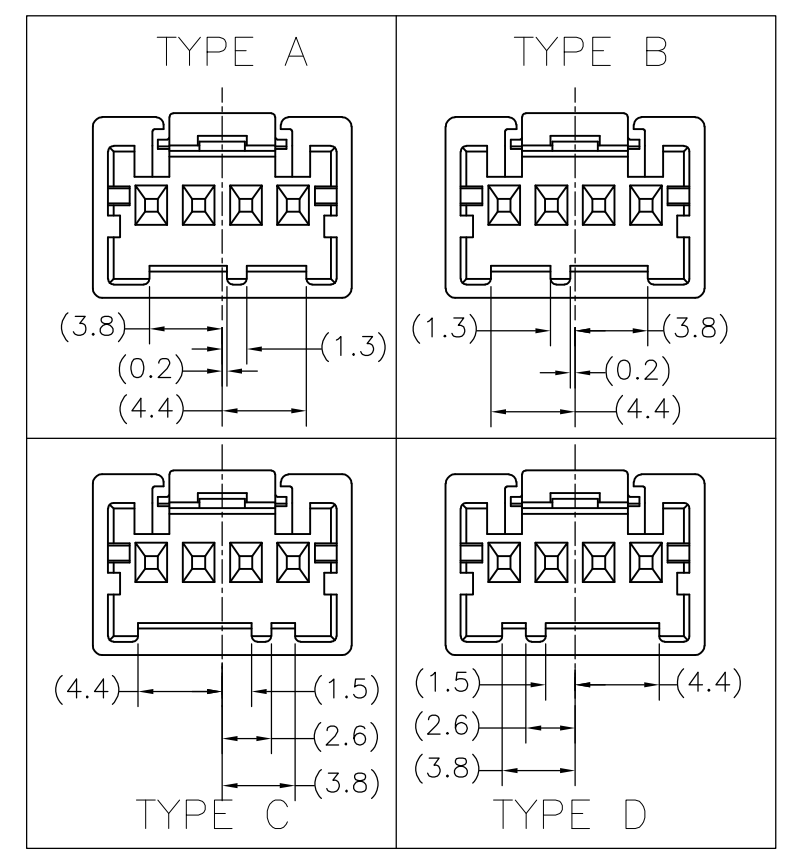
THIS DRAWING IS UNPUBLISHED. RELEASED FOR PUBLICATION
 © COPYRIGHT BY TYCO ELECTRONICS CORPORATION. ALL RIGHTS RESERVED.

LOC	DIST	REVISIONS					
J	—	P	LTR	DESCRIPTION	DATE	DWN	APVD
			B	REVISED PER ECR-10-007266	12APR10	HMR	TM

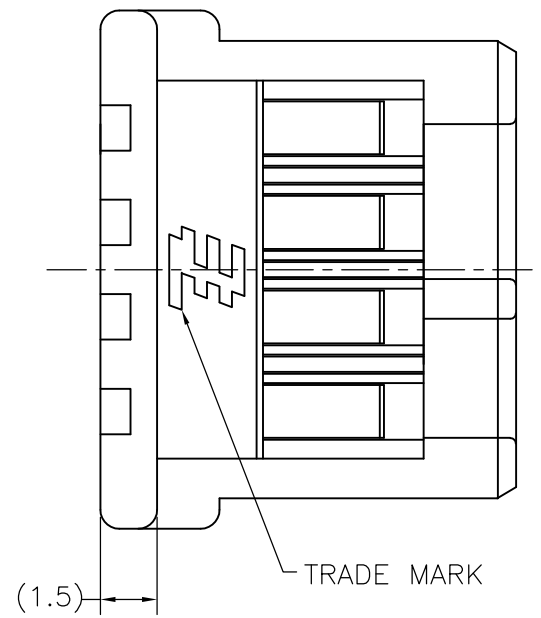
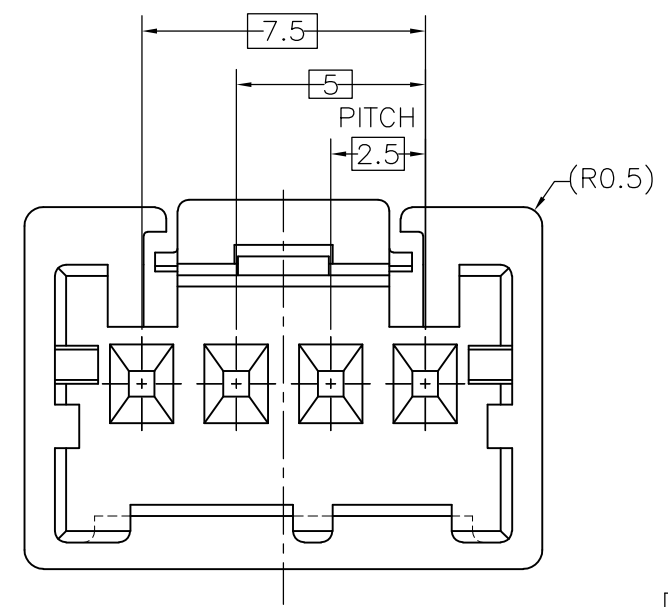
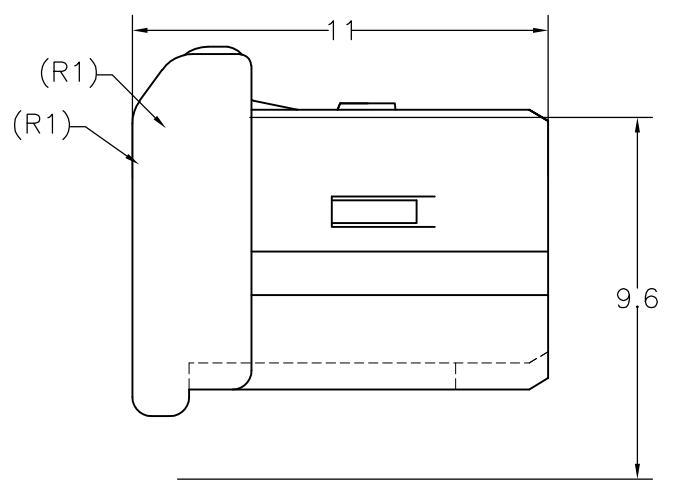


断面 A-A
SECT A-A

TYPE OF KEYING



CURCUIT NO. CAVITY MARK



注記
 1. 一般公差: ±0.3
 △ 材料PBTガラス強化(UL94V-0)
 △ かん合相手製品型番
 キャップハウジング: TABLE参照のこと
 リセコンタクト: 917683, 917684

NOTE
 1. GENERAL TOLERANCE: ±0.3
 △ MATERIAL: PBT GLASS FILLED (UL94V-0)
 △ MATING CONN.P/N
 CAP HOUSING: SEE TABLE
 REC CONTACT: 917683, 917684

3-1903393-4	TYPE D	YELLOW 黄色	3-1903390-4
2-1903393-3	TYPE C	BLUE 青色	2-1903390-3
1-1903393-2	TYPE B	RED 赤色	1-1903390-2
1903393-1	TYPE A	NATURAL 自然色	1903390-1
かん合相手型番 △ MATING HSG P/N	キーイング形状 TYPE OF KEYING	色調 COLOR	型番 PART NUMBER

THIS DRAWING IS A CONTROLLED DOCUMENT.

DWN J.SATO 01NOV05	Tyco Electronics AMP K.K. Kawasaki, Japan
CHK T.HATANO 01NOV05	
APVD N.YAMASAKI 01NOV05	NAME 名称 GRACE INERTIA CONNECTOR 2.5 W PLUG HOUSING 4P
PRODUCT SPEC 製品規格 108-78350	SIZE A3
APPLICATION SPEC 取付適用規格	CAGE CODE 00779
WEIGHT	DRAWING NO 番号 G-1903390
MATERIAL 材料 SEE NOTE △	RESTRICTED TO —
FINISH 仕上	SCALE 尺度 5:1
	SHEET 1 OF 1
	REV B

CUSTOMER DRAWING

X-ON Electronics

Largest Supplier of Electrical and Electronic Components

Click to view similar products for [Headers & Wire Housings](#) category:

Click to view products by [TE Connectivity](#) manufacturer:

Other Similar products are found below :

[95000-104TRLF](#) [10135584-644402LF](#) [DF62W-EP2022PCA](#) [95000-106TRLF](#) [DF62W-2022SCA](#) [DF62W-EP2022PC](#) [2203348](#) [DF62W-2022SC](#) [1084018](#) [1029039](#) [1084017](#) [802-10-012-10-002000](#) [1112640](#) [1112639](#) [000-34000](#) [0009482033](#) [0009507031](#) [57102-S06-03LF](#) [57202-S52-04LF](#) [PCN6-15S-2.5E](#) [0039019024](#) [58102-G61-06LF](#) [582553-1](#) [0009485154](#) [0009508121](#) [0022285053](#) [0050291907](#) [018731A](#) [LY20-4P-DT1-P1E-BR](#) [02.125.8002.8](#) [60101931](#) [60598-1 \(Cut Strip\)](#) [M1625-3R/100](#) [61062-3](#) [61082-181009](#) [636-1427](#) [638009-1](#) [641938-9](#) [641991-4](#) [644168-1](#) [647662-1](#) [65039-019ELF](#) [65817-002LF](#) [65817-015LF](#) [65863-015LF](#) [66207-023LF](#) [67016-026LF](#) [67046-001LF](#) [67095-007LF](#) [67230-005LF](#)