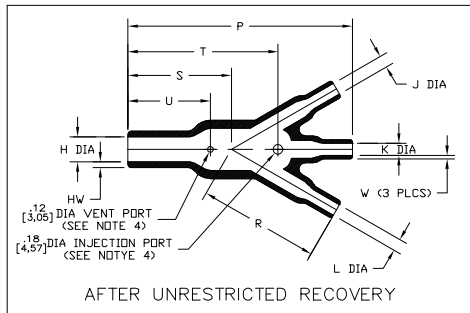
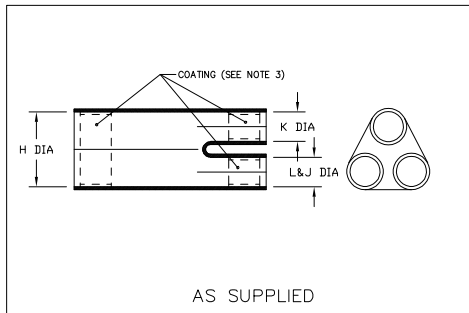


Molded Parts Specification Control Drawing

Part Number : 462A011 thru 060
Description : Transition, 1 to 3 Cables

NOTES

- All dimensions are in $\frac{\text{inches}}{\text{[millimeters]}}$, $\frac{\text{lbs}}{\text{[gms]}}$
- Dimensions appearing in table are as follows:
 - a - As Supplied
 - b - After Unrestricted Recovery
- Coating is optional. As supplied dimensions appearing in table are for uncoated parts. When coating is added, entry diameters will be reduced by .06 max.
- Molding ports are optional. When -00 modification number is specified molding ports will be located as shown.
- Part number 462A060 is not available in -5, -6, -12, or -100 material.
- Weight shown in table of dimensions is based on polyolefin part.
- Part number 462A046 and 462A060 is not available in -152.



| PART NUMBER | H | | J,K & L | | P | R | S | T | U | HW | W | C | Weight |
|-------------|----------------|----------------|----------------|----------------|------------------|-----------------|-----------------|------------------|-----------------|---------------|---------------|-----|-------------------|
| | Min a | Max b | Min a | Max b | | | | | | | | | |
| 462A011 | .52 [13,2] | .26 [6,6] | .26 [6,6] | .14 [3,6] | 1.82 [46,2] | 1.00 [25,4] | .82 [20,8] | 1.20 [30,5] | .62 [15,7] | .06 [1,52] | .04 [1,02] | 30° | .005 [2,27] |
| 462A023 | 1.06 [26,9] | .52 [13,2] | .52 [13,2] | .27 [6,9] | 3.67 [93,2] | 1.98 [50,3] | 1.69 [42,9] | 2.25 [57,2] | 1.30 [33,0] | .10 [2,54] | .06 [1,52] | 30° | .036 [16,33] |
| 462A034 | 1.52 [38,6] | .74 [18,8] | .76 [19,3] | .38 [9,7] | 5.32 [135,1] | 2.90 [73,7] | 2.42 [61,5] | 3.50 [88,9] | 1.80 [45,7] | .12 [3,05] | .07 [1,78] | 30° | .099 [44,91] |
| 462A046 | 2.19 [55,6] | 1.00 [25,4] | 1.06 [26,9] | .49 [12,4] | 7.56 [192,0] | 4.06 [103,1] | 3.50 [88,9] | 4.80 [121,9] | 2.80 [71,1] | .18 [4,57] | .12 [3,05] | 30° | .315 [142,88] |
| 46AA060 | 3.60 [91,4] | 2.15 [54,6] | 1.80 [45,7] | 1.08 [27,4] | 15.37 [390,4] | 8.31 [211,1] | 7.06 [179,3] | 10.00 [254,0] | 5.00 [127,0] | .28 [7,11] | .18 [4,57] | 30° | 1.900 [861,83] |



TE CONNECTIVITY
307 CONSTITUTION DRIVE
MENLO PARK, CALIFORNIA 94025

© 2004,2011 Tyco Electronics Corporation, a TE Connectivity Ltd. Company. All Rights Reserved.

Revision : T1
Date : 20APR11

Part Number : 462A011 thru 060
Description : Transition, 1 to 3 Cables

Molded Parts Specification Control Drawing

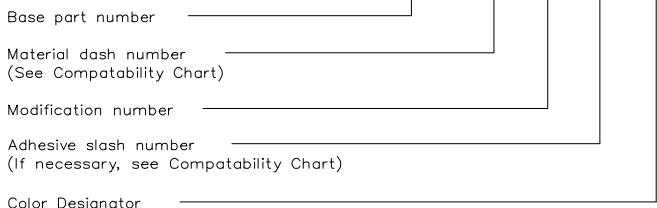
Part Number : 462A011 thru 060
Description : Transition, 1 to 3 Cables

| MATERIAL DASH NO. | MATERIAL DESCRIPTION | RT SPEC | COATING SLASH NO. | COATING S NO. | COATING DESCRIPTION |
|-------------------|---------------------------------------|----------------|-------------------|----------------------|---------------------|
| -3 | Polyolefin, Semi-rigid | RT-301 | /42;/86 | S-1017;S-1048 | Adhesive |
| -4 | Polyolefin, Flexible | RT-1304 | /42;/86;/180 | S-1017;S-1048;S-1030 | Adhesive |
| -5 | Elastomer, Flexible | RT-501 | /42 | S-1017 | Adhesive |
| -6 | Silicone | RT-602 | N/A | | |
| -12 | *VITON, Flexible | RT-1312 | N/A | | |
| -25 | Elastomer, Fluid Resistant | RT-1325 | /42;/86 | S-1017;S-1048 | Adhesive |
| -152 | Polyolefin, Flexible | MIL-I-81765/1A | /42 | S-1017 | Adhesive |
| -100 | Polyolefin, Semi-flexible ZERODUR™ | RT-1323 | /86;/180 | S-1048;S-1030 | Adhesive |

*VITON is a Registered Trademark of Dupont

ORDERING INFORMATION

462A0XX -XXX -XX /XXX -0



IF THIS DOCUMENT IS PRINTED IT BECOMES UNCONTROLLED.
CHECK FOR THE LATEST REVISION.

THIS DRAWING IS SUBJECT TO CHANGE WITHOUT NOTICE; CONSULT YOUR
NEAREST FIELD REPRESENTATIVE FOR CURRENT REVISION



TE CONNECTIVITY
307 CONSTITUTION DRIVE
MENLO PARK, CALIFORNIA 94025

© 2004,2011 Tyco Electronics Corporation, a TE Connectivity Ltd. Company. All Rights Reserved.

Revision : T1
Date : 20APR11

Part Number : 462A011 thru 060
Description : Transition, 1 to 3 Cables

CAD FILE MP04011

X-ON Electronics

Largest Supplier of Electrical and Electronic Components

Click to view similar products for [Cable Boots](#) category:

Click to view products by [TE Connectivity](#) manufacturer:

Other Similar products are found below :

[618235-000](#) [622A014-3-0](#) [CX4132-000](#) [879103-4](#) [879515-000](#) [889092](#) [982033-2](#) [R280576000](#) [1300830729](#) [MTPSRBCL-C](#) [1811481-1](#)
[200W531-3-0](#) [202A121-386-0](#) [202A142-4-00/42-0](#) [202A163-4-0-CS5067](#) [202B221-13-0](#) [202B231-13-0](#) [202B563-25-07-0](#)
[202C621710CS5361](#) [202D132-4-07/42-0](#) [202D221-4-0-CS5349](#) [202D221-4-26-0](#) [202D263-25-08-0](#) [202D263-4-22/42-0](#) [202D263-4-88-0](#)
[202D921-2542-0](#) [202E336-71-0](#) [202F211-50-22-0-CS8474](#) [202F242-50-05-0](#) [202F242-51-04/164-0](#) [202K121-25-CS-1858-0](#) [202K121-25-](#)
[CS-2062-0](#) [202K132-25-01/225-0CS8387](#) [202K153-3-0186-0](#) [202S132-25-UP-0](#) [203W301-3/42-0](#) [207W613-100/184-0-CS5657](#) [207W623-](#)
[100-01/184-0](#) [207W634-100/184-0-CS5657](#) [207W656-100-01/184-0](#) [207W667-100-01/184-0](#) [207W667-100/184-0](#) [208A011-3-0](#) [208A021-3-](#)
[0](#) [221A011-51164-0-CS7133](#) [222A121-2586](#) [222A152-342-0](#) [222A213-25-0-CS5613](#) [222D221-25-13/86-0](#) [222D232-4-61-0-CS5078](#)