

PLEASE CHECK WWW.MOLEX.COM FOR LATEST PART INFORMATION

Part Number: **0765605108**
Status: **Active**
Overview: Impact Backplane Connector and Cable Assembly System
Description: Impact 100 Ohm 6 Pair RAM Right Angle Header, Right Guided, Open Endwall, 10 Columns, 180 Circuits, Pin Length 5.50mm, Plated Through Hole Dimension 0.39mm, Lead-Free

Documents:

[3D Model](#) [Packaging Specification PK-70873-777 \(PDF\)](#)
[Drawing \(PDF\)](#) [RoHS Certificate of Compliance \(PDF\)](#)
[Product Specification PS-76060-999-001 \(PDF\)](#)

Agency Certification

UL E29179

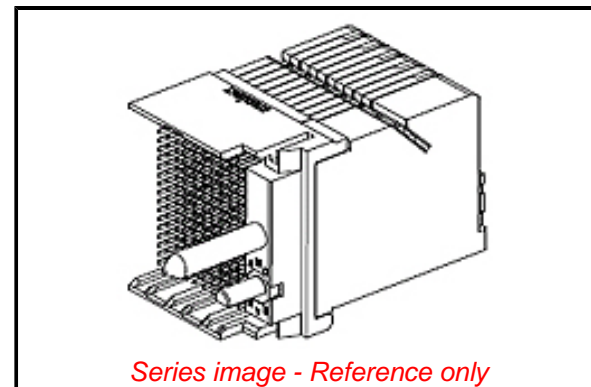
General

Product Family Backplane Connectors
Series [76560](#)
Application Coplanar
Application Tooling Documents TM-622018799
Component Type PCB Header
Overview [Impact Backplane Connector and Cable Assembly System](#)
Product Name Impact
UPC 884982480681

Physical

Circuits (Loaded) 180
Circuits (maximum) 180
Color - Resin Black
Durability (mating cycles max) 200
First Mate / Last Break No
Flammability 94V-0
Guide to Mating Part Yes
Keying to Mating Part None
Material - Metal High Performance Alloy (HPA)
Material - Plating Mating Gold
Material - Plating Termination Tin
Material - Resin High Temperature Thermoplastic
Net Weight 32.008/g
Number of Columns 10
Number of Pairs 6
Number of Rows 18
Orientation Right Angle
PC Tail Length 1.20mm
PCB Locator No
PCB Retention Yes
PCB Thickness - Recommended 1.00mm
Packaging Type Tray
Pitch - Mating Interface 1.90mm
Pitch - Termination Interface 1.90mm
Plating min - Mating 0.762µm
Stackable No
Temperature Range - Operating -55°C to +85°C
Termination Interface: Style Through Hole - Compliant Pin

Electrical



EU ELV

Not Relevant

EU RoHS

Compliant

REACH SVHC

Not Contained Per - ED/30/2017 (7 July 2017)

Halogen-Free

Status

Low-Halogen

Need more information on product environmental compliance?

Email productcompliance@molex.com
Please visit the [Contact Us](#) section for any non-product compliance questions.

China ROHS	Green Image
ELV	Not Relevant
RoHS Phthalates	Not Contained

Search Parts in this Series

[76560](#) Series

Mates With

[76150](#) Impact 100 Ohm Daughtercard

Current - Maximum per Contact	0.75A
Data Rate	25.0 Gbps
Impedance	100Ω
Shield Type	N/A
Shielded	No
Voltage - Maximum	30V AC (RMS)/DC

Solder Process Data

Lead-freeProcess Capability	N/A
-----------------------------	-----

Material Info**Reference - Drawing Numbers**

Electrical Model Document	EE-76560-0001
Packaging Specification	PK-70873-777
Product Specification	PS-76060-999-001
S-Parameter Model	SP-76560-0001, SP-76560-002
Sales Drawing	SD-76560-9004
Symbol/Footprint Data	SYM-76560-5108

This document was generated on 02/28/2018

PLEASE CHECK WWW.MOLEX.COM FOR LATEST PART INFORMATION

X-ON Electronics

Largest Supplier of Electrical and Electronic Components

Click to view similar products for [High Speed/Modular Connectors](#) category:

Click to view products by [Molex](#) manufacturer:

Other Similar products are found below :

[2332816-1](#) [89006-1137LF](#) [650827-1](#) [65762-001LF](#) [73474-201LF](#) [74040-1346](#) [74075-0267](#) [1410191-1](#) [1410337-1](#) [1410368-3](#) [1410964-2](#)
[1410367-3](#) [1410971-4](#) [1467833-1](#) [2000877-1](#) [2000878-1](#) [2041314-1](#) [2065387-1](#) [2187307-1](#) [2187462-1](#) [2226278-6](#) [KA81-07](#) [91290-101LF](#)
[163P](#) [1934290-1](#) [2000875-1](#) [2065917-1](#) [2102736-2](#) [FSR-40](#) [2169868-2](#) [2226279-2](#) [22354-8](#) [437-5040-000](#) [5-1393565-0](#) [532449-3](#) [532803-](#)
[2](#) [34745-0001](#) [0736440217](#) [1-1393708-5](#) [72388-0021LF](#) [73774-1000](#) [532939-1](#) [5-531355-3](#) [5532901-3](#) [85838-180LF](#)
[HM1S43TRR460H6PLF](#) [0760205010](#) [1-966831-4](#) [3-1469268-7](#) [77427-121LF](#)