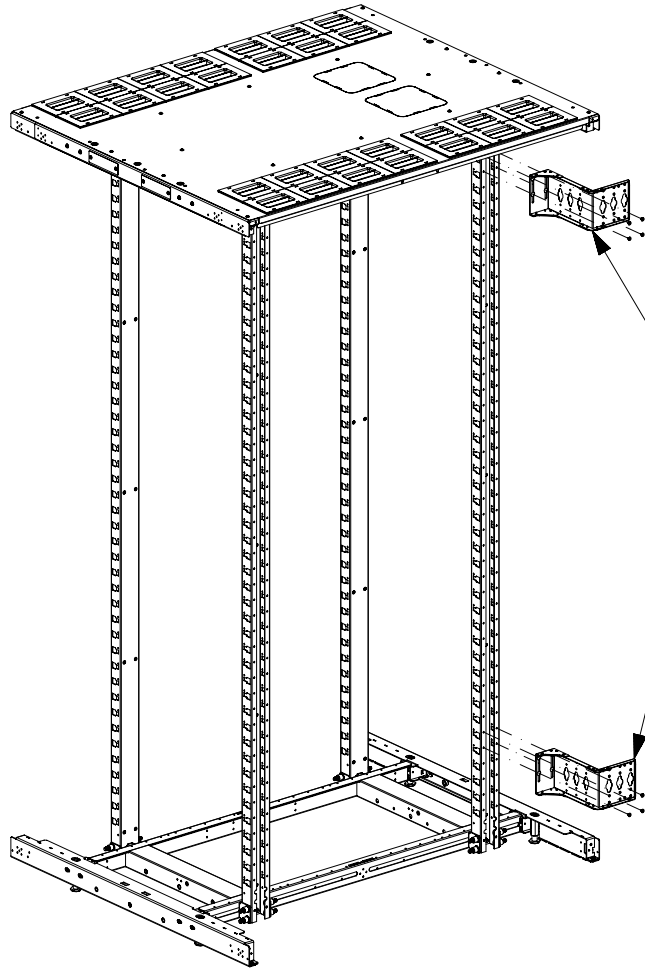


THIS COPY IS PROVIDED ON A RESTRICTED BASIS AND IS NOT TO BE USED IN ANY WAY DETRIMENTAL TO THE INTERESTS OF PANDUIT CORP.



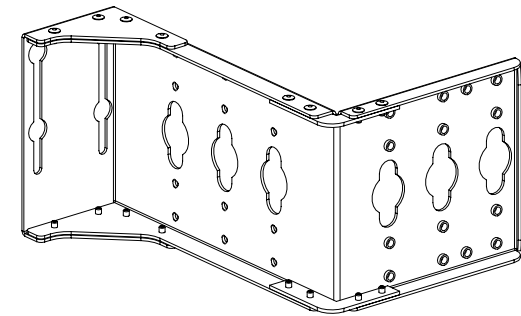
PDU MOUNTING BRACKET CAN BE ADJUSTED VERTICALLY ALONG CABINET PER RACK SPACE

APPLICATION VIEW
CABINET NOT INCLUDED

PANDUIT P/N	WEIGHT
NVPDUB7018	1.4 Kg/EACH 3.0 LBS/EACH

NOTES:

- VISIT OUR ON-LINE CATALOG AT WWW.PANDUIT.COM FOR A LIST OF CURRENT PARTS APPLICABLE FOR USE WITH THIS PRODUCT.
- PRIMARY DIMENSIONS ARE IN MILLIMETERS (mm).
- PARTS SUPPLIED:
(2) - PDU BRACKETS
(8) - TORX SCREWS
(1) - INSTRUCTION SHEET



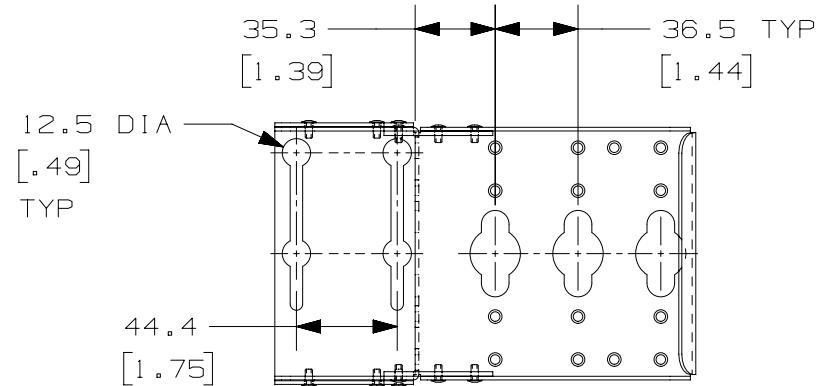
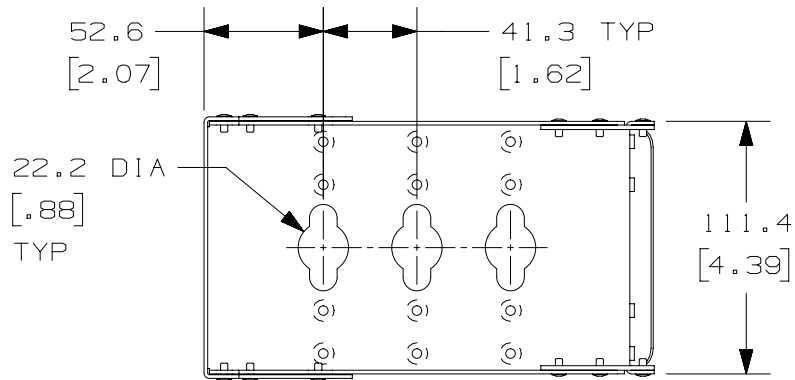
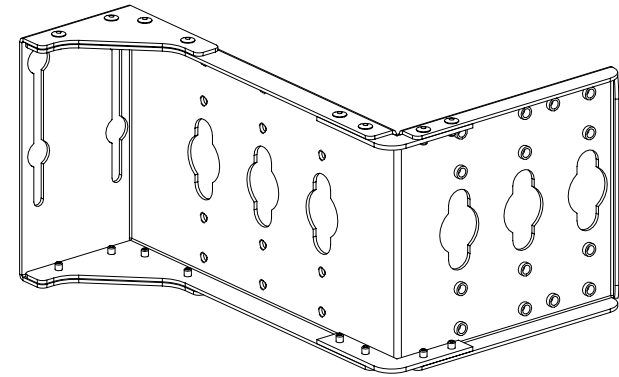
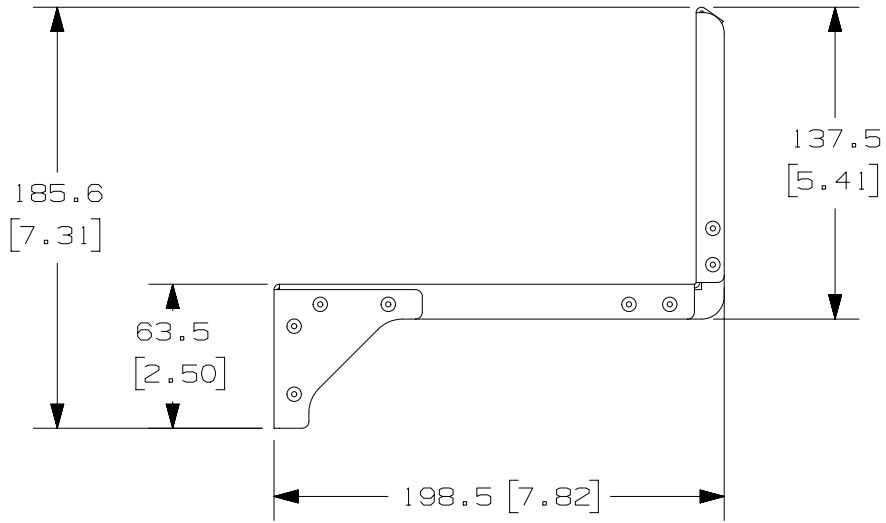
ISO VIEW

00A	11-3-15	LEE			RELEASED TO PRODUCTION				V09000NP
REV	DATE	BY	CHK	APR	DESCRIPTION				ECN

TITLE N-TYPE PDU BRACKET (NVPDUB7018)									
CUSTOMER DRAWING									
ITEM REVISION NAME 11V223IC/01									
DATASET FILE NAME 11V223IC_DC/01A									
					MATERIAL: N/A				
					DRAWING NUMBER: 11V223IC-DC				
DRAWN BY LEE		DATE 11-3-15		CHK		SCALE NONE		SHT 1 OF 2	
								SIZE A	

D10100DA/16

THIS COPY IS PROVIDED ON A RESTRICTED BASIS AND IS NOT TO BE USED IN ANY WAY DETRIMENTAL TO THE INTERESTS OF PANDUIT CORP.



00A	11-3-15	LEE			SEE SHEET 1 FOR REVISIONS				V09000NP
REV	DATE	BY	CHK	APR	DESCRIPTION	ECN			

TITLE				N-TYPE PDU BRACKET (NVPDUB7018)			
CUSTOMER DRAWING							
ITEM REVISION NAME				11V223IC/01			
DATASET FILE NAME				11V223IC_DC/01A			
MATERIAL:				N/A			
DRAWING NUMBER:				11V223IC-DC			
DRAWN BY		DATE		CHK		SCALE	
LEE		11-3-15				NONE	
THIRD ANGLE PROJECTION				SHT 2 OF 2			
SIZE				A			

D10100DA/16

X-ON Electronics

Largest Supplier of Electrical and Electronic Components

Click to view similar products for [Racks & Rack Cabinet Accessories](#) category:

Click to view products by [Panduit](#) manufacturer:

Other Similar products are found below :

[CR-1727](#) [M00-PLN](#) [F2420](#) [F2424](#) [8310-1032-SS](#) [9104](#) [PLFF2000](#) [PLFF6000](#) [GP216](#) [PTFA60000LG](#) [H-9163-B](#) [AC220-84-1](#) [HEH050BA](#)
[1427C3](#) [BAS-5104](#) [N-700-2](#) [190-002](#) [HTL10](#) [HTS10](#) [PC-118](#) [PC-780L](#) [PC-79](#) [PC-800](#) [SC4-28](#) [F3024](#) [AKWAMT](#) [PLFF1000](#) [GRPB12PG](#)
[CG3-340S/12](#) [2CWDP36](#) [2CWDP48](#) [2SSHINGE](#) [CP-001BK](#) [CPL19431LG1](#) [R570-004-107](#) [M6123-4007-SS](#) [TS170](#) [531300535](#) [BRX-](#)
[12290](#) [C4BD3077SBK1](#) [UPS 7-17-14 PLAIN](#) [LP40](#) [5261304-07](#) [CCA26-44-01](#) [706-102](#) [CG3-160G](#) [7112C-PLN ALUM](#) [CM10](#) [TS81](#) [7142](#)