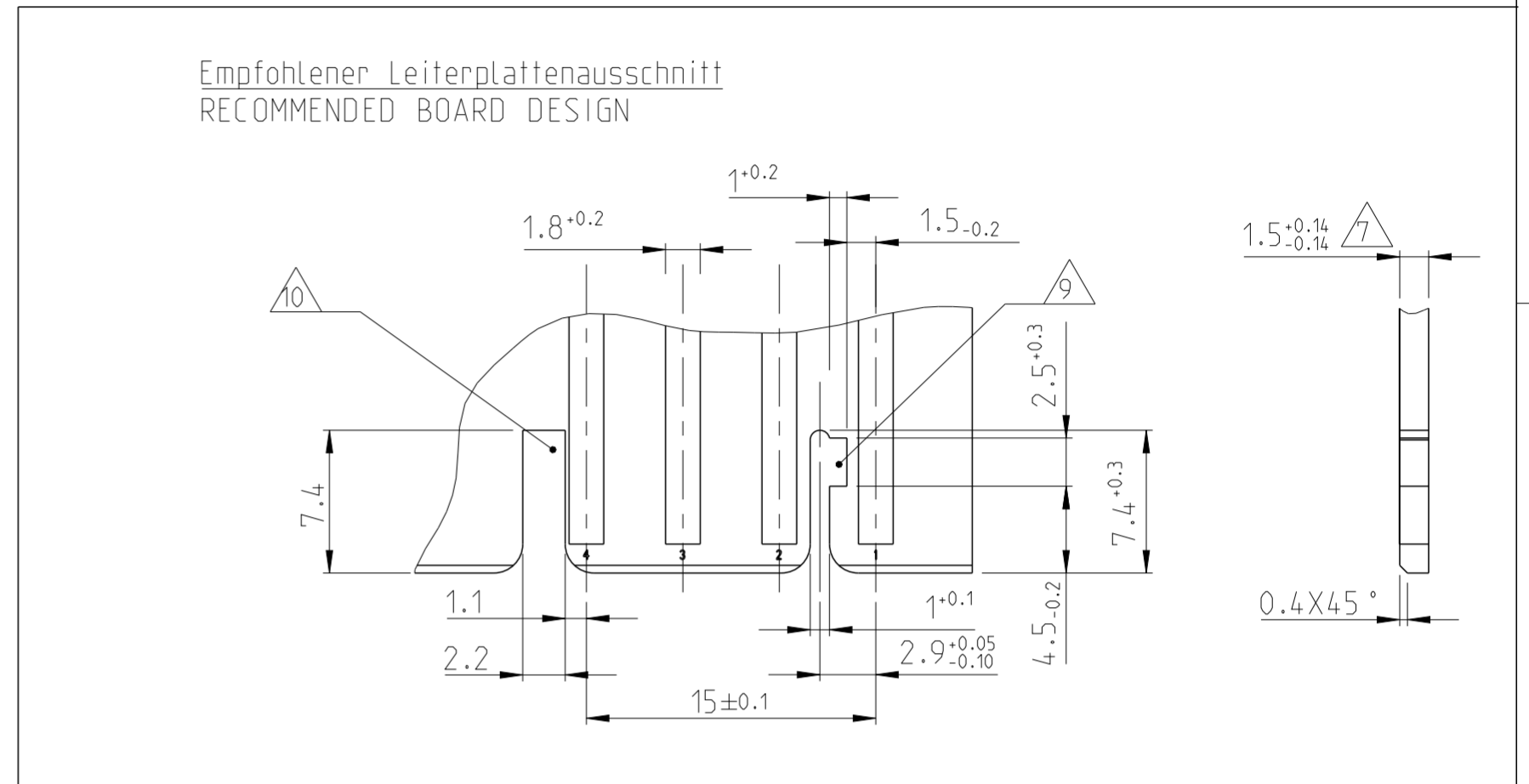
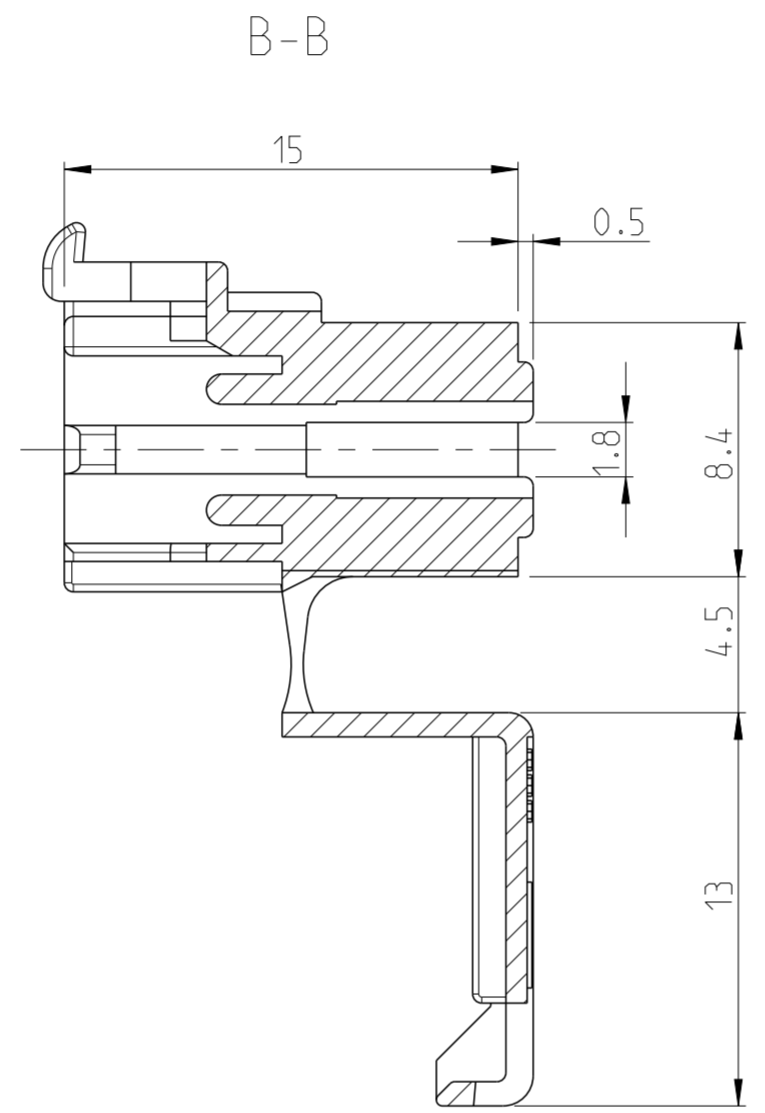
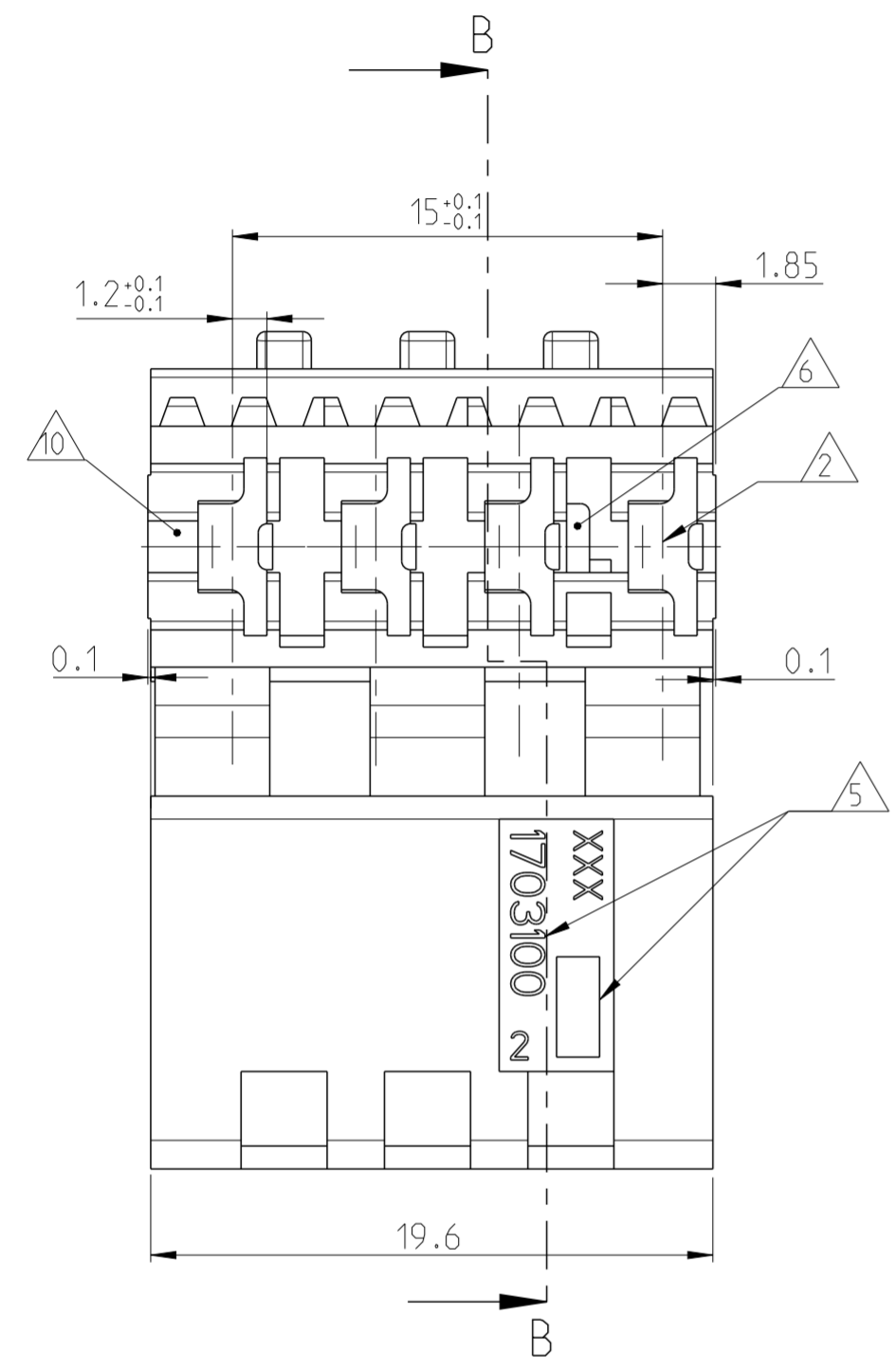
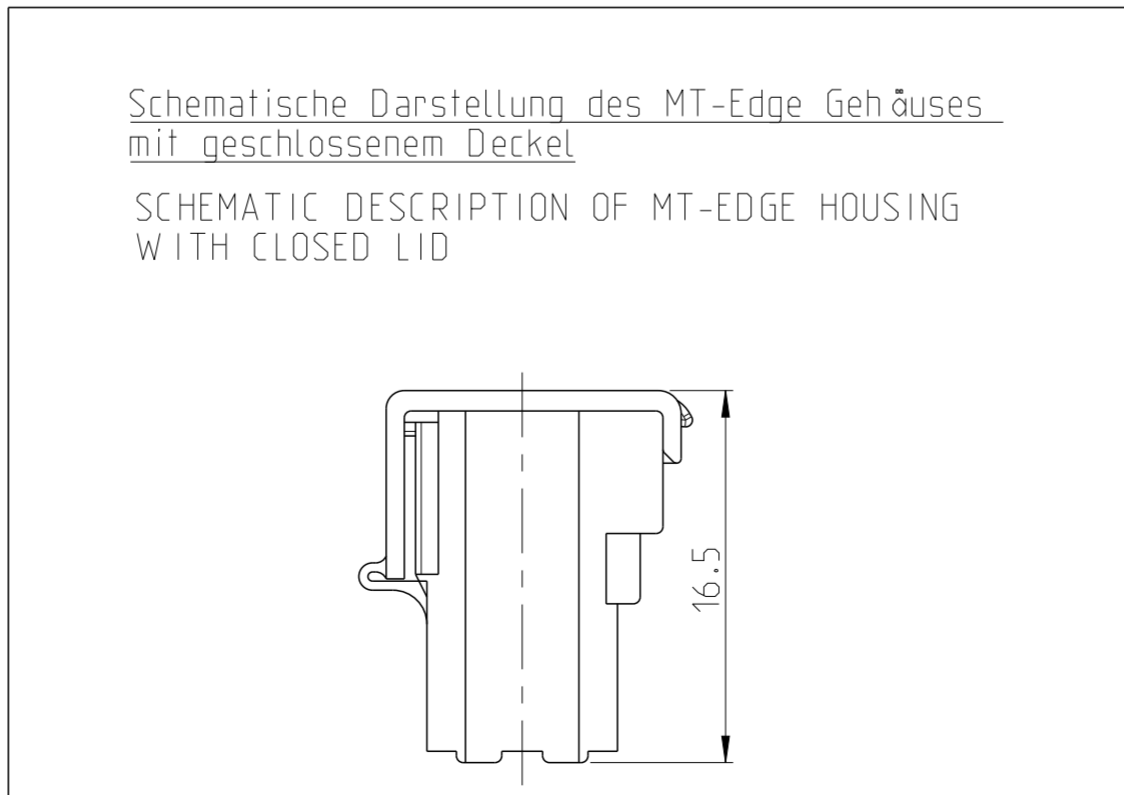
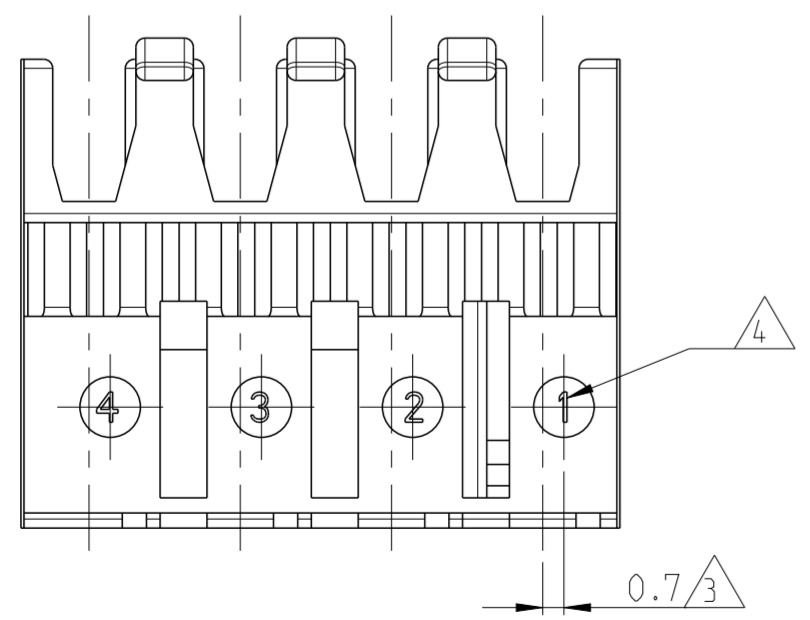


THIS DRAWING IS UNPUBLISHED. RELEASED FOR PUBLICATION
 © COPYRIGHT copyright_date BY - ALL RIGHTS RESERVED.

REVISIONS				
P	LTR	DESCRIPTION	DATE	DWN APVD
	B	INITIAL RELEASE	02AUG2013	MKD RRP



- Bemerkungen**
NOTES
- 1 Massgebend ist der deutsche Text
ONLY THE GERMAN-LANGUAGE VERSION SHALL BE BINDING
 - 2 Lage des Kontaktpunktes auf der Leiterplatte; Abweichung ±0.4
POSITION OF CONTACT POINT ON BOARD; DEVIATION ±0.4
 - 3 Kontaktierung zur Drahtmitte um 0.7mm versetzt
CONTACTING 0.7mm DISPLACED TO WIRE CENTRELINE
 - 4 Kontaktkammer-Nr.
CONTACT CAVITY #
 - 5 Firmenlogo und Leergehäuse-Nr.
ARTWORK LOGO AND HOUSING # (NON LOADED)
 - 6 Kodersteg zwischen Kammer Nr.1&2
KEYING RIB BETWEEN CAVITY Nr. 1 & 2
 - 7 Ausführung nach DIN 60249-2-4
BOARD DESIGN ACCORDING TO DIN 60249-2-4
 - 8 Crimp Kontakt-Nr.:
Material: CuSn4 926770-1, 926917-1
CRIMP CONTACT #: MATERIAL: CuSn4
 - 9 SQUARE HOLE 2X2 mm OPTIONAL LOCKING HOLE Ø2.5 mm
 - 10 Kodersteg Nach Letzter Kammer
KEYING RIB AFTER LAST CAVITY
 - 11 MATERIAL ACCORDING TO IEC 60335-1 (INCLUDING GWT 750 ° C NO FLAME)



1-1703100-1	11	MT-EDGE HOUSING	NATURE
PART-NO.:		DESCRIPTION	COLOUR

THIS DRAWING IS A CONTROLLED DOCUMENT.		DWN DHANESH 02AUG2013	STE TE Connectivity	
DIMENSIONS: mm		CHK DHANESH 02AUG2013		
TOLERANCES UNLESS OTHERWISE SPECIFIED:		APVD Rajendra 02AUG2013	NAME 4-WAYS MT-EDGE - HOUSING LOOSE PIECE VERSION	
0 PLC ±	±0.2	PRODUCT SPEC 108-18003	SIZE A2	CAGE CODE 00779
1 PLC ±	±	APPLICATION SPEC 114-18002	DRAWING NO C-1703100	RESTRICTED TO
2 PLC ±	±	WEIGHT -	SCALE 3:1	SHEET 1 OF 1
3 PLC ±	±	MATERIAL 11 PA6/UL94V-2	CUSTOMER DRAWING	REV B
4 PLC ±	±			
ANGLES	±			
FINISH				

X-ON Electronics

Largest Supplier of Electrical and Electronic Components

Click to view similar products for [Heavy Duty Power Connectors](#) category:

Click to view products by [TE Connectivity](#) manufacturer:

Other Similar products are found below :

[1424439](#) [1424438](#) [09330062652](#) [2-8675P1](#) [605601-1](#) [6340G1](#) [6341G1](#) [6360G1](#) [6373G1](#) [6374g2](#) [6396G1](#) [647757-1](#) [66394-4](#) [6643411-1](#)
[6646058-2](#) [6646137-1](#) [6646138-1](#) [6646348-1](#) [6646479-1](#) [6646608-1](#) [6646786-1](#) [6646940-1](#) [6651091-1](#) [6651525-1](#) [6651529-1](#) [6651778-1](#)
[6651788-1](#) [696465-1](#) [696475-1](#) [73000005059](#) [73000005349](#) [73000005642](#) [73080255059](#) [73080965046](#) [765-15-0080A](#) [765-16-0080B](#)
[789.700-44](#) [789.700-54](#) [80-1010](#) [80-9](#) [827381-1](#) [829992-1](#) [902-77-02113](#) [PL00U-301-10D10](#) [PM103MOOLOO](#) [PM16S1620S32-50](#)
[PM212MOOLOO](#) [PM309FOOLOO](#) [PM324FOOLCH](#) [PMHPAF11S03](#)