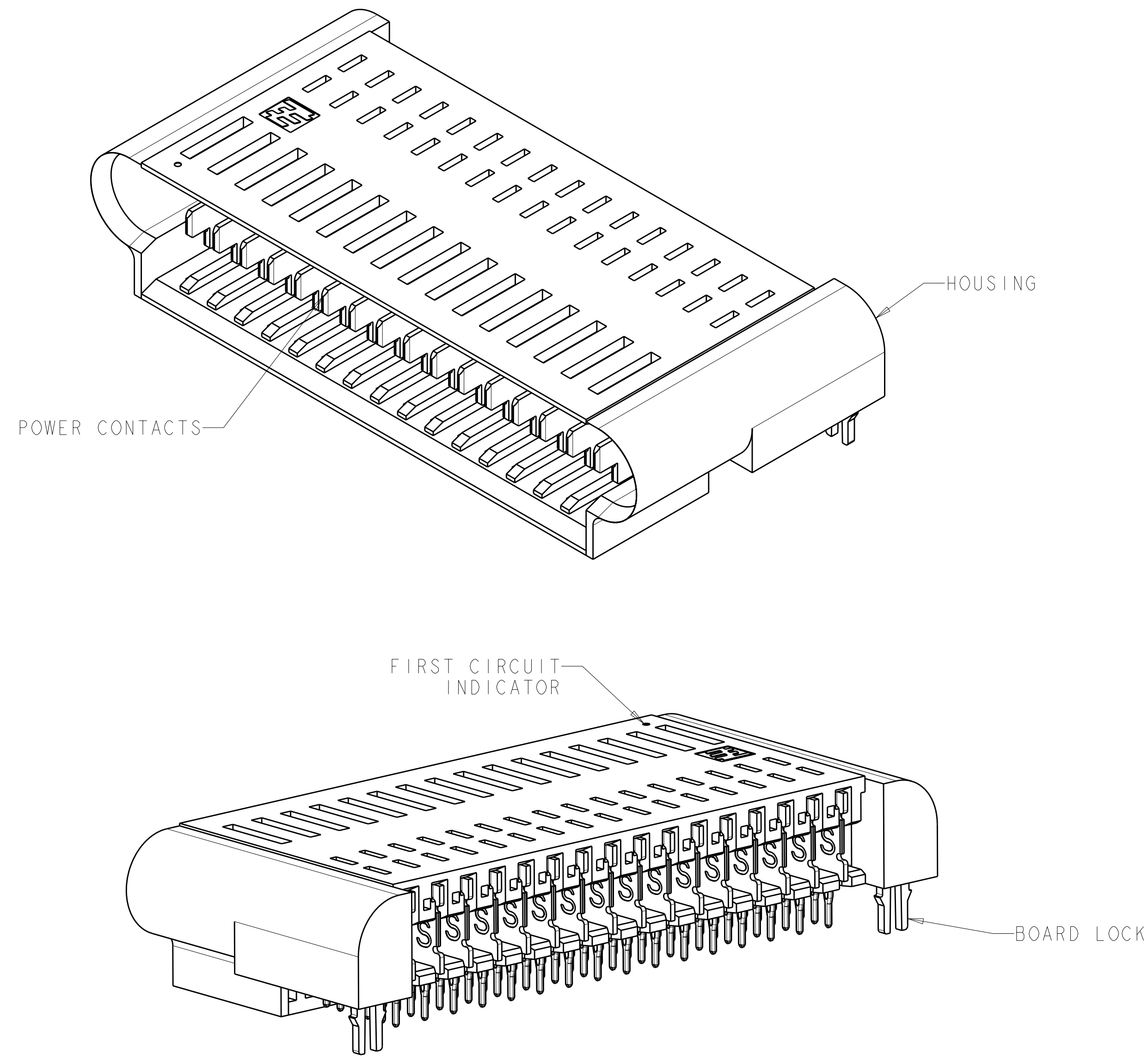


LOC	DIST	REVISIONS			
AA	00	REV	DATE	BY	APPD
		C	ECO-09-028526	04JAN2010	LAW EW



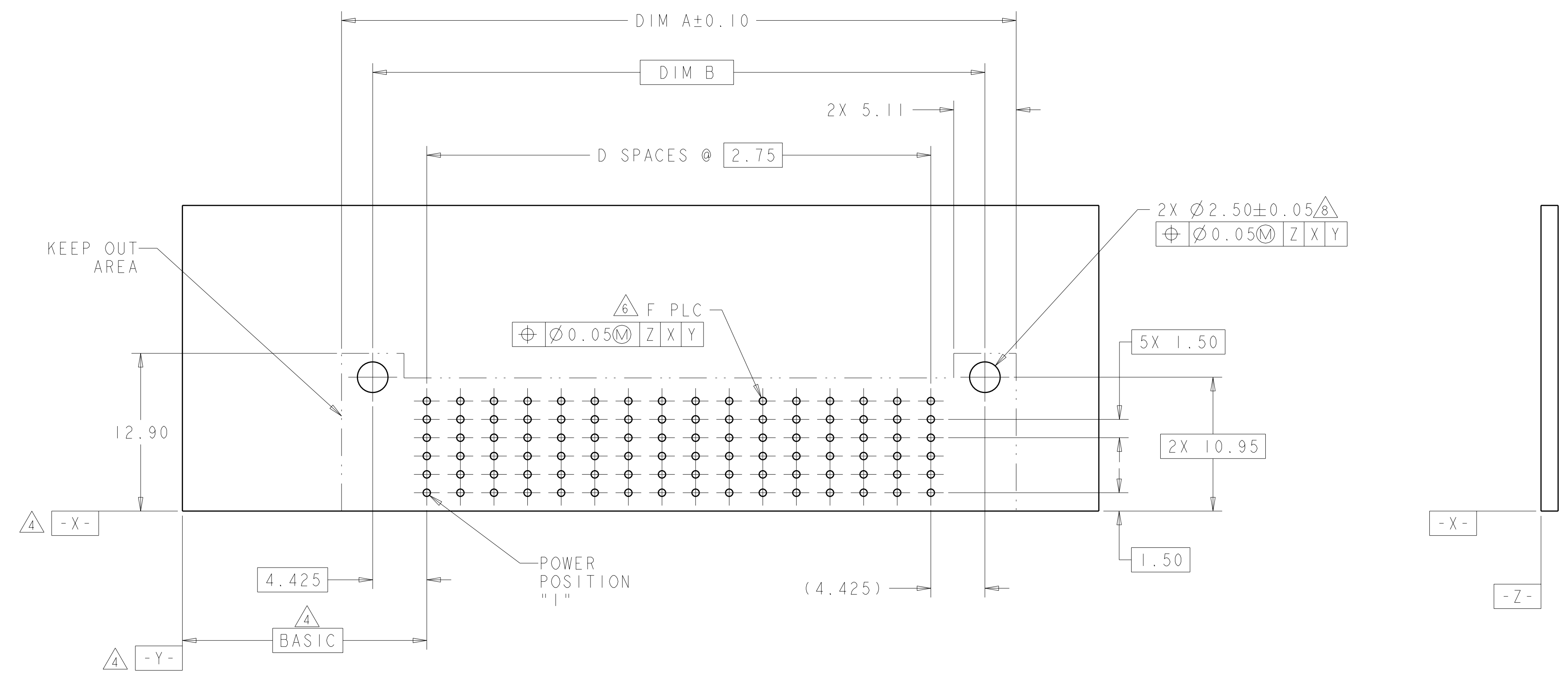
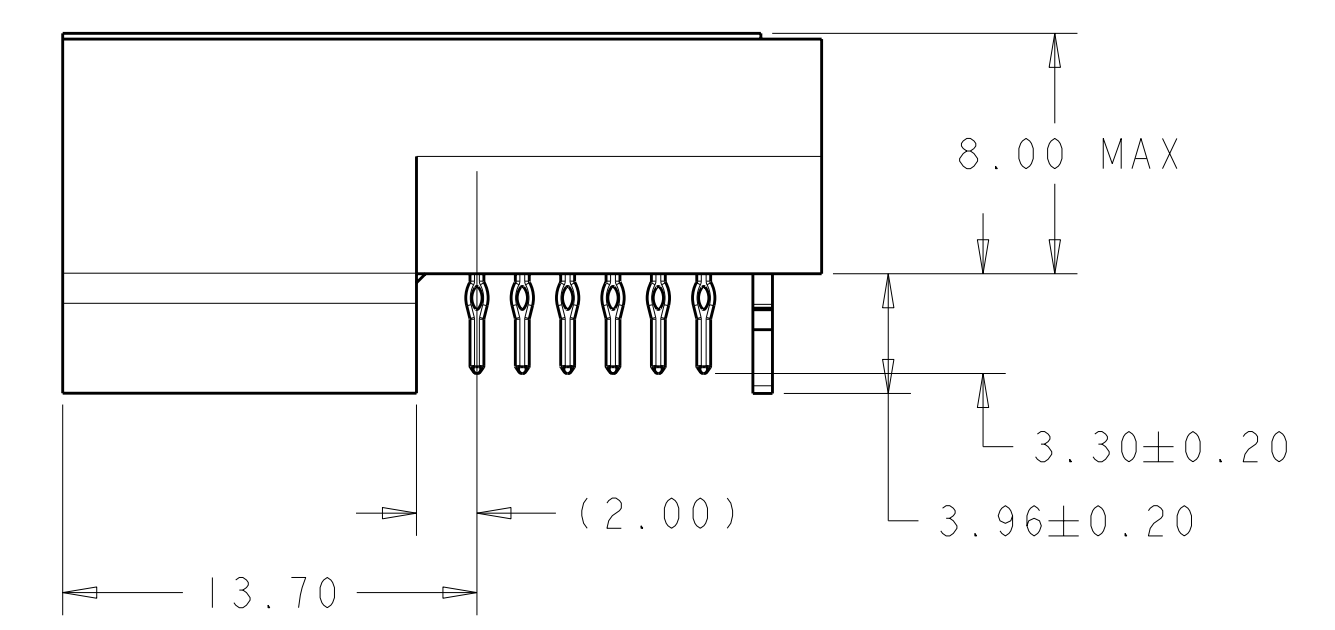
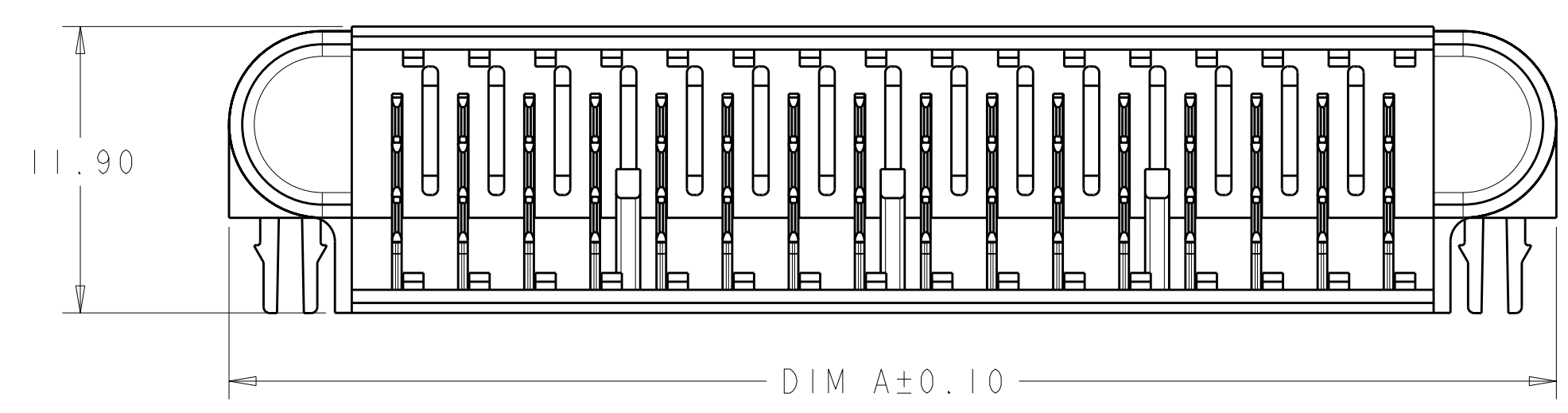
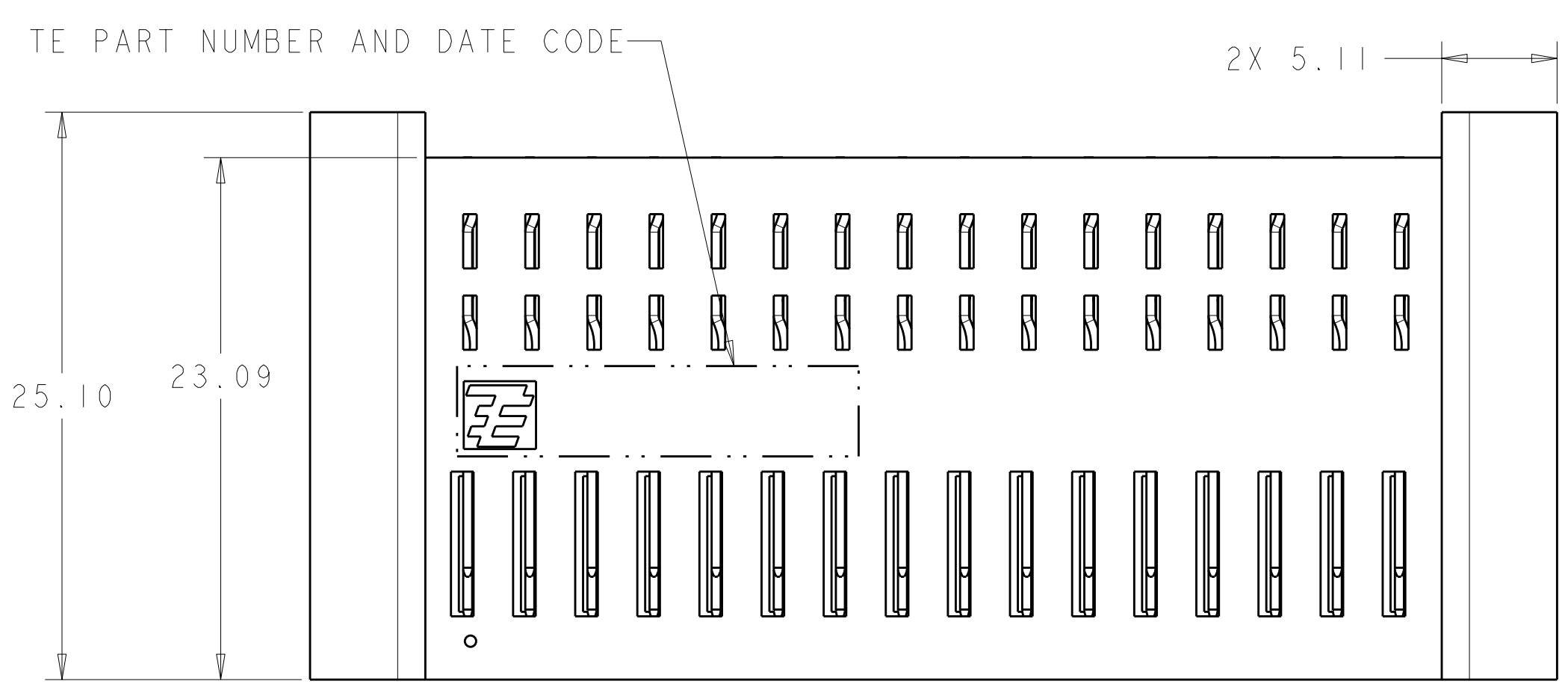
- HOUSING: GLASS FILLED LIQUID CRYSTAL POLYMER, COLOR: BLACK, UL 94 V-0 RATED
 POWER CONTACT: COPPER ALLOY
 BOARD LOCK: PHOSPHOR BRONZE
 - POWER CONTACT: 0.00127mm MIN NICKEL ALL OVER,
 MATING AREA: 0.00076mm MIN GOLD OR
 0.00008mm MIN GOLD OVER 0.00076mm MIN PALLADIUM-NICKEL,
 TAIL AREA: 0.0005mm MIN MATTE TIN
 BOARD LOCK: 0.00076mm MIN MATTE TIN OVER
 0.00127mm MIN NICKEL.
 - CONTACT MATING AREA LUBRICATED WITH BELLCORE APPROVED LUBRICANT,
 TECHNICAL REFERENCE: GR-1217-CORE, ISSUE 1, NOVEMBER 1995
- △ DATUMS AND BASIC DIMENSIONS TO BE ESTABLISHED BY CUSTOMER.
- △ PC BOARD THICKNESS 1.4mm MIN, FOR WAVE SOLDER PC BOARD THICKNESS 2.62 MAX
- △ SEE APPLICATION SPEC 114-13215 FOR PLATED THROUGH HOLE INFORMATION
7. SEE CUSTOMER DRAWING 1926711 OR 1926713 FOR MATING CONNECTOR
- △ UNPLATED HOLES

1-1926710-6 SHOWN

180	29	88.60	93.71	30P	3-1926710-0
168	27	83.10	88.21	28P	2-1926710-8
156	25	77.60	82.71	26P	2-1926710-6
144	23	72.10	77.21	24P	2-1926710-4
132	21	66.60	71.71	22P	2-1926710-2
120	19	61.10	66.21	20P	2-1926710-0
108	17	55.60	60.71	18P	1-1926710-8
96	15	50.10	55.21	16P	1-1926710-6
84	13	44.60	49.71	14P	1-1926710-4
72	11	39.10	44.21	12P	1-1926710-2
60	9	33.60	38.71	10P	1-1926710-0
48	7	28.10	33.21	8P	1926710-8
36	5	22.60	27.71	6P	1926710-6
F PLC	D SPACES	DIM B	DIM A	NUMBER OF POSITIONS	PART NUMBER

DIMENSIONS: mm 		TOLERANCES UNLESS OTHERWISE SPECIFIED: 9 PLC ± 8 PLC ±0.13 5 PLC ± 4 PLC ± ANGLES ±		DWN G. PETERS 18DEC2007 CHK N. REESER 11APR2008 APVD N. REESER 11APR2008 NAME PRODUCT SPEC 108-2325 APPLICATION SPEC 114-13215 WEIGHT CUSTOMER DRAWING		Tyco Electronics Harrisburg, PA 17105-3608 PLUG ASSEMBLY, RIGHT ANGLE, PASSIVE GUIDE, POWER ONLY, WITH BOARD LOCKS, MINIPAK HDL SIZE CAGE CODE DRAWING NO RESTRICTED TO A 100779 C=1926710 SCALE 2:1 SHEET 1 OF 2 REV C	
-----------------------	--	--	--	---	--	--	--

LOC	DIST	REVISIONS			
AA	00	REV	DATE	BY	APPD
		1	SEE SHEET 1		



1-1926710-6 SHOWN
RECOMMENDED PRINTED CIRCUIT BOARD LAYOUT △
 (AS VIEWED FROM COMPONENT SIDE)

<small>THIS DRAWING IS UNPUBLISHED. RELEASED FOR PUBLICATION. ALL RIGHTS RESERVED. THIS DRAWING IS UNPUBLISHED. RELEASED FOR PUBLICATION. ALL RIGHTS RESERVED. THIS DRAWING IS UNPUBLISHED. RELEASED FOR PUBLICATION. ALL RIGHTS RESERVED.</small>		DWN: S. PETERS 18DEC2007 CHK: N. REESER 11APR2008 APVD: N. REESER 11APR2008	Tyco Electronics Harrisburg, PA 17105-3608
DIMENSIONS: mm 	TOLERANCES UNLESS OTHERWISE SPECIFIED: 9 PLC ± 8 PLC ±0.13 5 PLC ± 4 PLC ± ANGLES ±	NAME: N. REESER PRODUCT SPEC: 108-2325 APPLICATION SPEC: 114-13215 WEIGHT: - CUSTOMER DRAWING	NAME: PLUG ASSEMBLY, RIGHT ANGLE, PASSIVE GUIDE, POWER ONLY, WITH BOARD LOCKS, MINIPAK HDL SIZE: A CAGE CODE: 100779 DRAWING NO: C=1926710 RESTRICTED TO: - SCALE: 2:1 SHEET 2 OF 2 REV C

X-ON Electronics

Largest Supplier of Electrical and Electronic Components

Click to view similar products for [Heavy Duty Power Connectors](#) category:

Click to view products by [TE Connectivity](#) manufacturer:

Other Similar products are found below :

[1424439](#) [1424438](#) [09330062652](#) [2-8675P1](#) [605601-1](#) [6340G1](#) [6341G1](#) [6360G1](#) [6373G1](#) [6374g2](#) [6396G1](#) [647757-1](#) [66394-4](#) [6643411-1](#)
[6646058-2](#) [6646137-1](#) [6646138-1](#) [6646348-1](#) [6646479-1](#) [6646608-1](#) [6646786-1](#) [6646940-1](#) [6651091-1](#) [6651525-1](#) [6651529-1](#) [6651778-1](#)
[6651788-1](#) [696465-1](#) [696475-1](#) [73000005059](#) [73000005349](#) [73000005642](#) [73080255059](#) [73080965046](#) [765-15-0080A](#) [765-16-0080B](#)
[789.700-44](#) [789.700-54](#) [80-1010](#) [80-9](#) [827381-1](#) [829992-1](#) [902-77-02113](#) [PL00U-301-10D10](#) [PM103MOOLOO](#) [PM16S1620S32-50](#)
[PM212MOOLOO](#) [PM309FOOLOO](#) [PM324FOOLCH](#) [PMHPAF11S03](#)