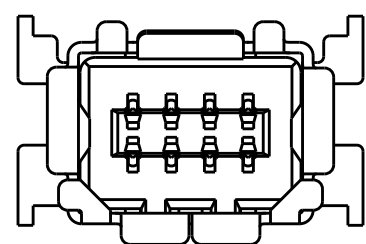
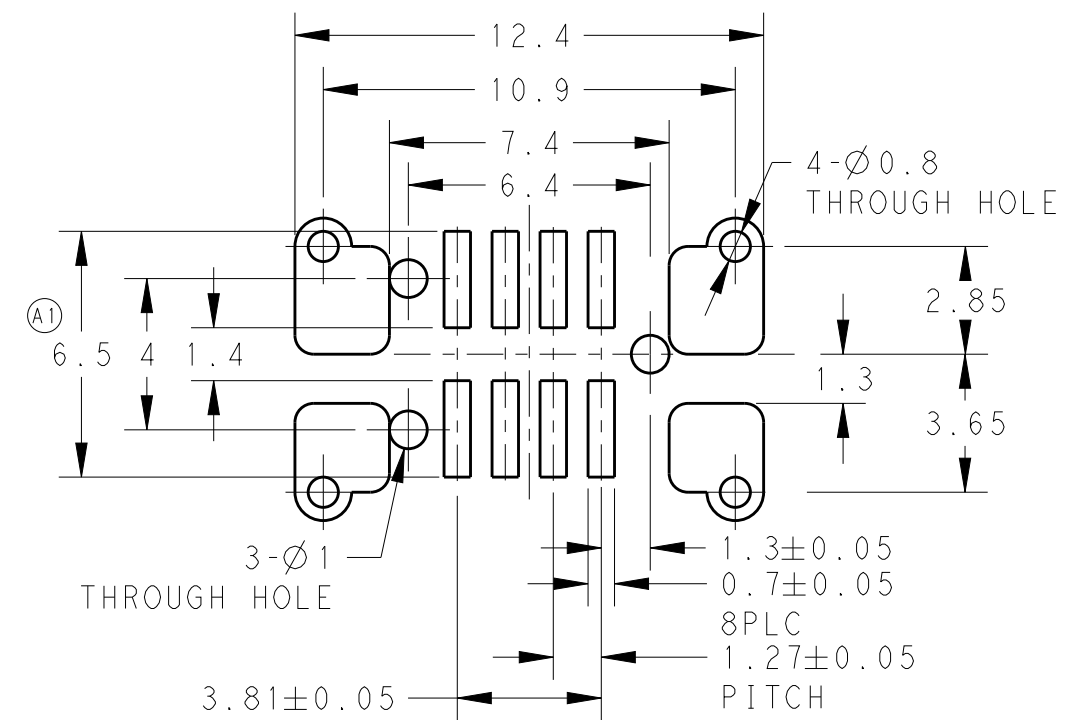
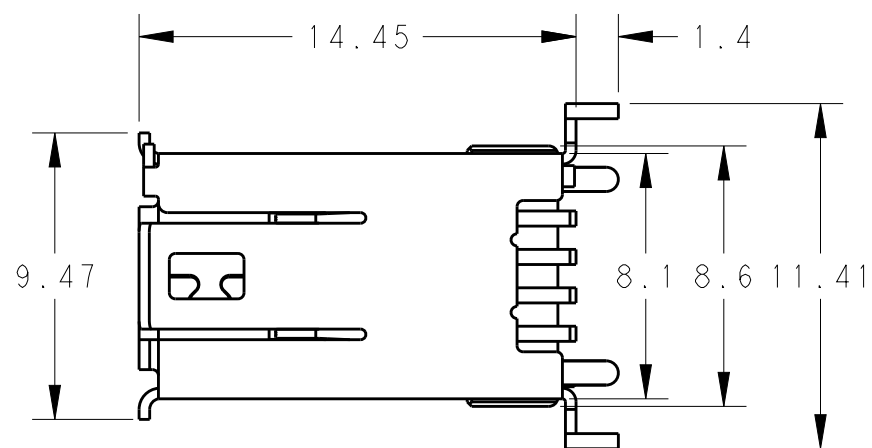


THIS DRAWING IS UNPUBLISHED. RELEASED FOR PUBLICATION. ALL RIGHTS RESERVED.

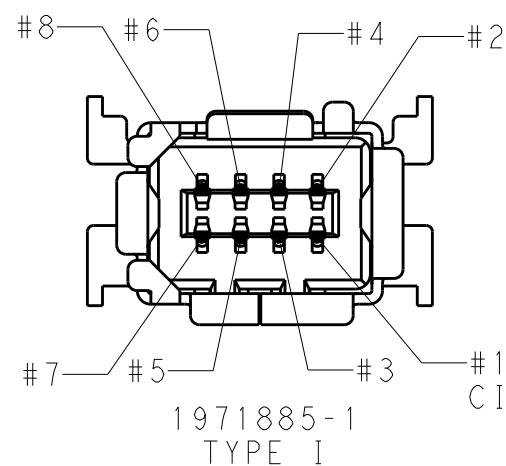
LOC	DIST	REVISIONS			
P	LTR	DESCRIPTION	DATE	DWN	APVD
-	-	A	NEW RELEASE	03MAR2013	H.W. P.Y.
-	-	A1	REVISED	16OCT2013	H.W. X.X.



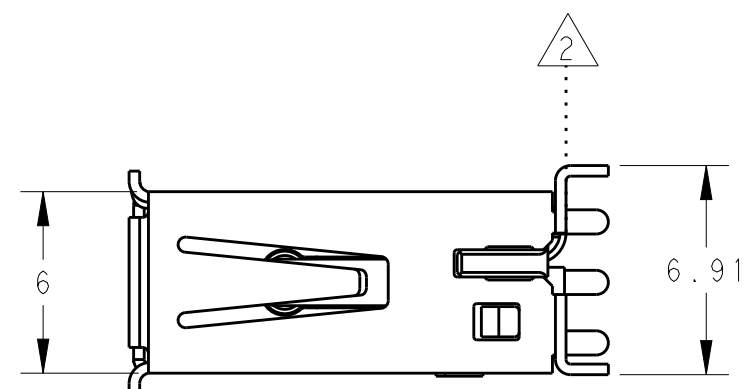
1971885-2  
TYPE II



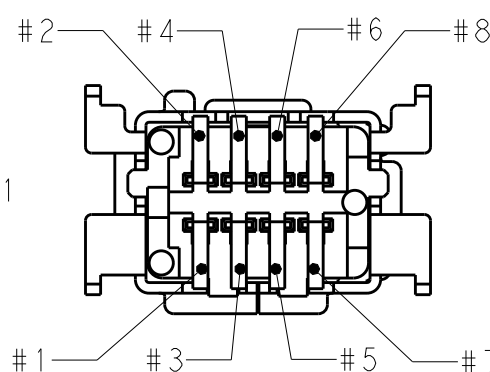
RECOMMENDED BOARD DIMENSION  
t=1.6  
SCALE 5:1  
GENERAL TOL.: ±0.1



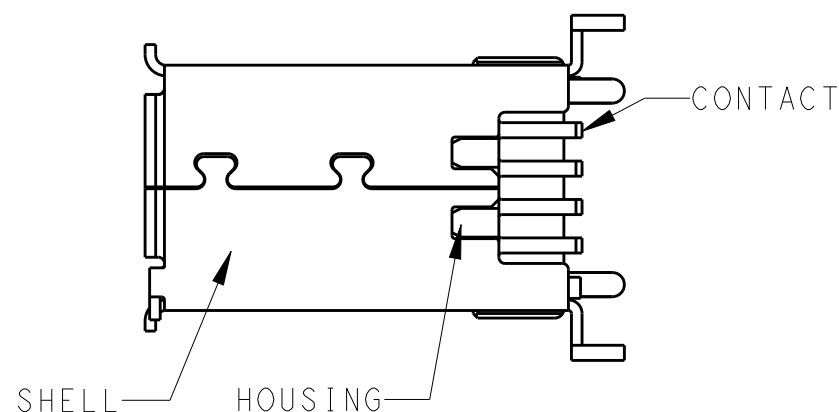
1971885-1  
TYPE I



CIRCUIT NO



CIRCUIT NO



NOTES:  
 1 MATERIAL AND FINISH  
 CONTACT: COPPER ALLOY  
 UNDER ALL SURFACE NICKEL 1.27µm MIN.  
 TOP CONTACT AREA: GOLD 0.5µm MIN  
 SOLDERING AREA: TIN PLATE  
 HOUSING: THERMO PLASTIC(UL94V-0)  
 SHELL: COPPER ALLOY  
 UNDER ALL SURFACE NICKEL  
 TOP ALL SURFACE TIN  
 2 COPLANARITY 0.1 MAX  
 (IN 8 TIPS OF CONTACTS AND 4 PEGS OF SHELL)  
 3 GENERAL TOL.: ±0.3; ±5°

8	TYPE II SMT RECEPTACLE WITH CAP	1-1971885-2
8	TYPE I SMT RECEPTACLE WITH CAP	1-1971885-1
8	TYPE II SMT RECEPTACLE	1971885-2
8	TYPE I SMT RECEPTACLE	1971885-1
POS	DESCRIPTION	PART NO

THIS DRAWING IS A CONTROLLED DOCUMENT.		DWN 03MAR2013 HOWELL WANG	<b>STE</b> TE Connectivity	
DIMENSIONS: mm		CHK 03MAR2013 DAVID WANG		
TOLERANCES UNLESS OTHERWISE SPECIFIED:		APVD 03MAR2013 PETER YIN	NAME SMT VERTICAL MINI I/O RECEPTACLE 1.27mm PITCH	
0 PLC ±-		PRODUCT SPEC 108-106087	SIZE A3	CAGE CODE -
1 PLC ±-		APPLICATION SPEC -	DRAWING NO C-1971885	RESTRICTED TO -
2 PLC ±-		WEIGHT -	SCALE 4:1 SHEET 1 OF 3 REV A1	
3 PLC ±-		Customer Drawing		
4 PLC ±-				
ANGLES ±-				
FINISH -				

4

3

2

1

THIS DRAWING IS UNPUBLISHED.

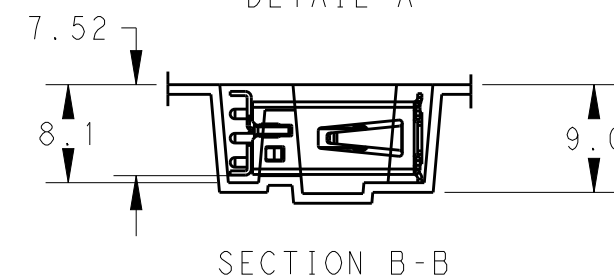
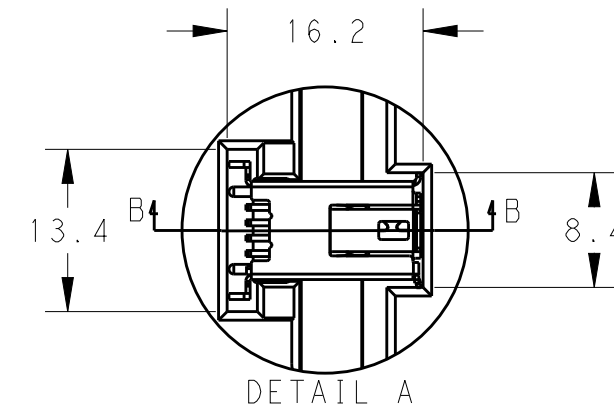
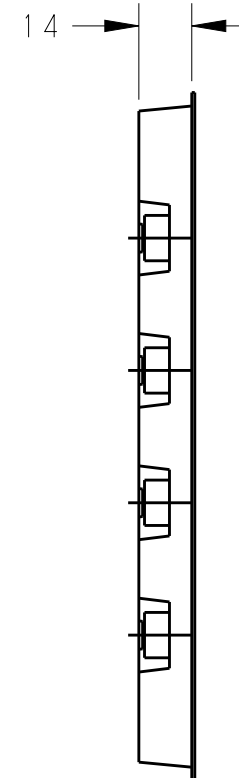
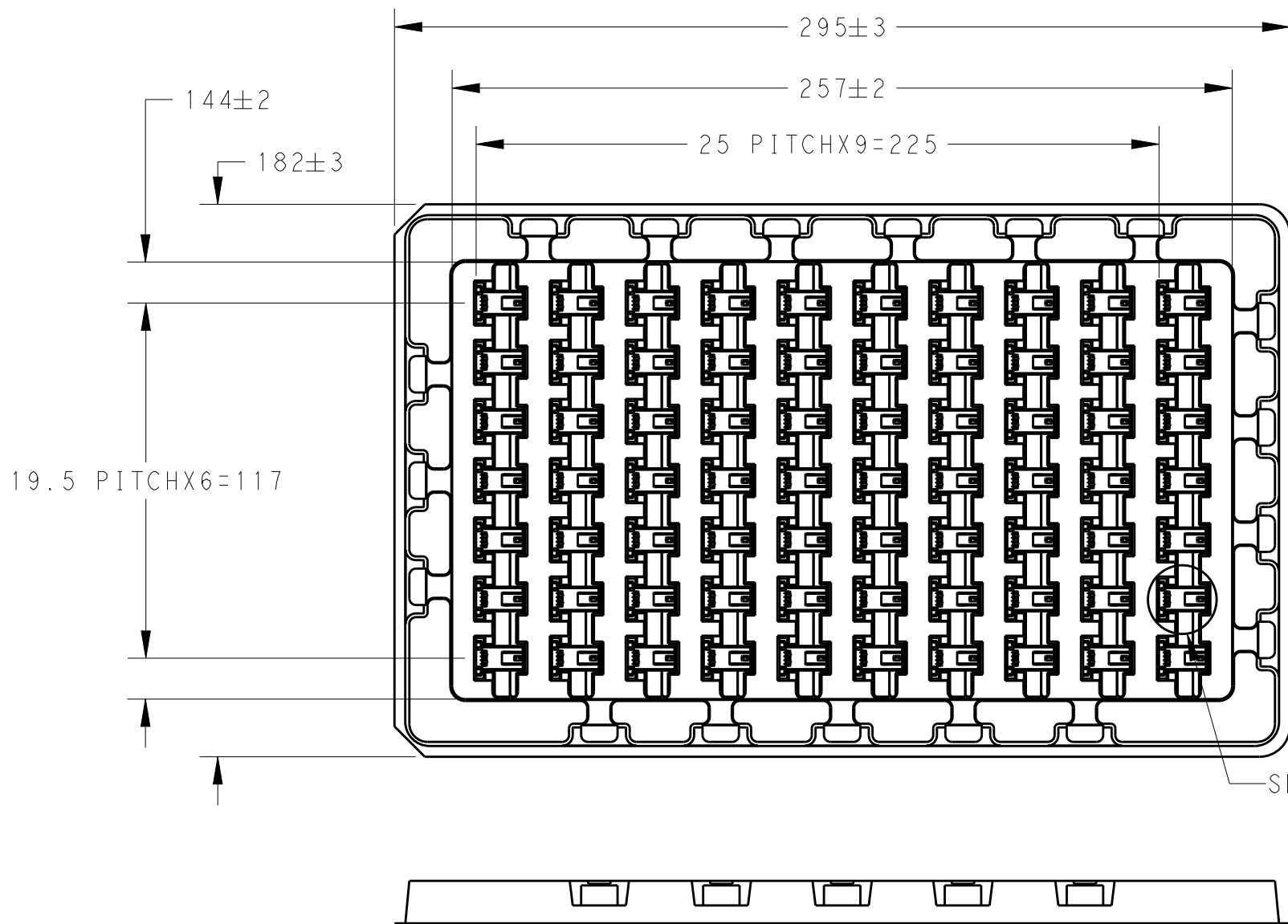
RELEASED FOR PUBLICATION

© COPYRIGHT - BY - ALL RIGHTS RESERVED.

LOC - DIST -

REVISIONS

P	LTR	DESCRIPTION	DATE	DWN	APVD
-	-	SEE SHEET 1	-	-	-



SEE DETAIL A

PACKAGE AS SHOWN

1971885-2  
1971885-1

DESCRIPTION

PART NO

NOTE:  
4 PACKAGE:  
70PCS PER TRAY FOR 1971885-1 & 1971885-2

THIS DRAWING IS A CONTROLLED DOCUMENT.

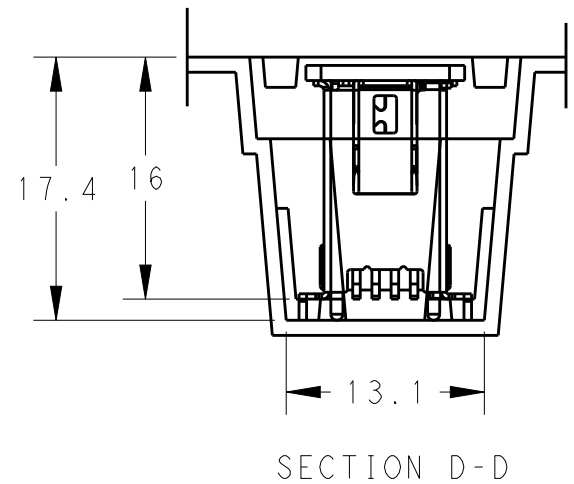
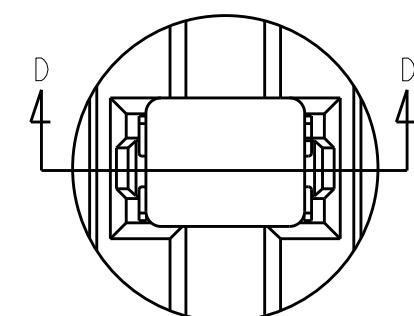
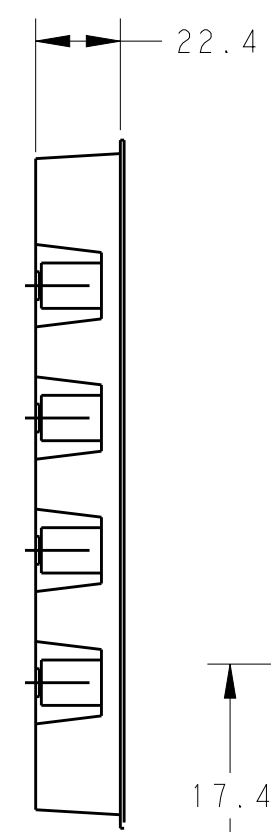
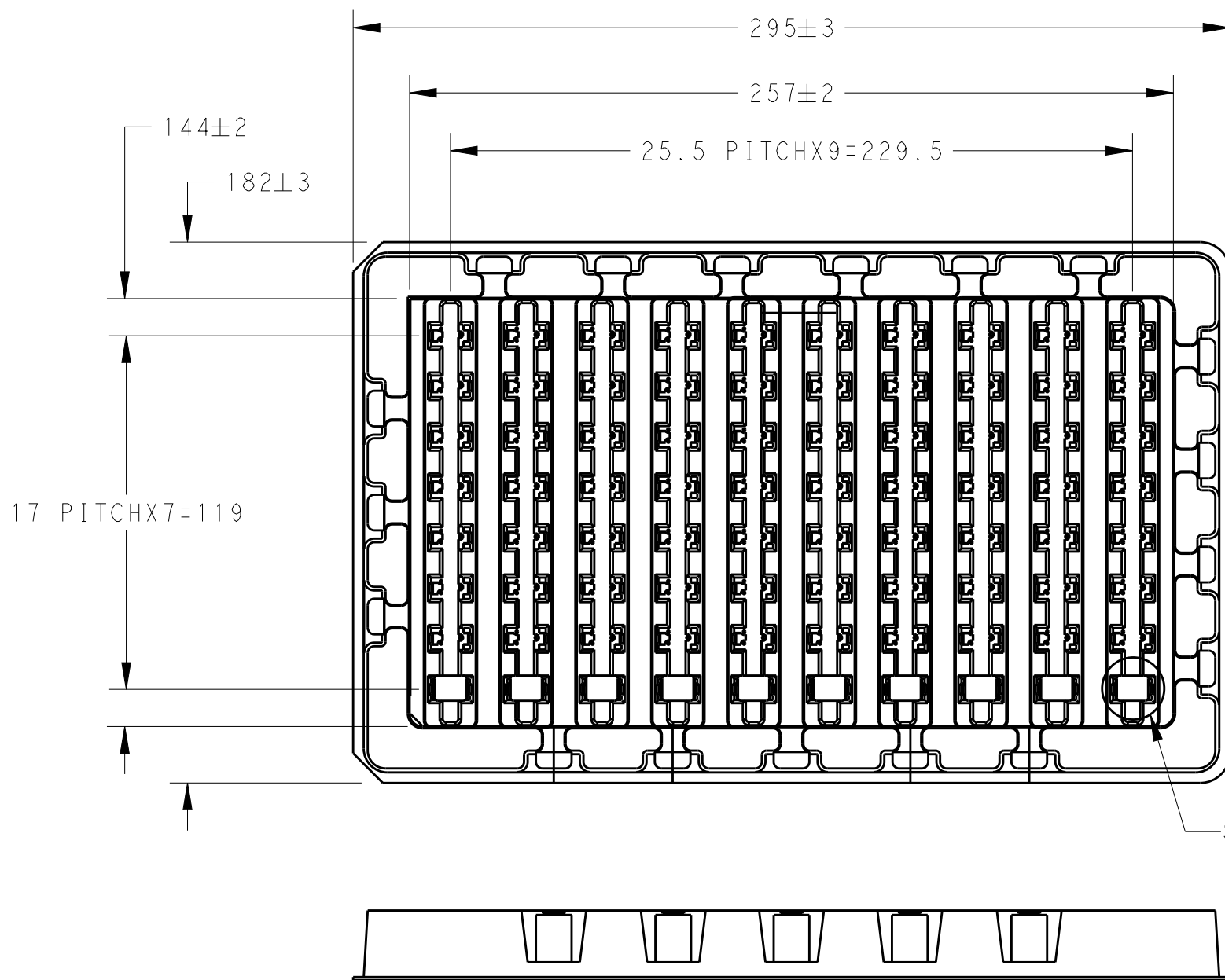
DIMENSIONS:		TOLERANCES UNLESS OTHERWISE SPECIFIED:	
mm		0 PLC	±-
		1 PLC	±-
		2 PLC	±-
		3 PLC	±-
		4 PLC	±-
		ANGLES	±-
MATERIAL	-	FINISH	-

DWN	SEE SHEET 1
CHK	SEE SHEET 1
APVD	SEE SHEET 1
PRODUCT SPEC	SEE SHEET 1
APPLICATION SPEC	-
WEIGHT	-
Customer Drawing	

TE Connectivity			RESTRICTED TO
			-
NAME	SMT VERTICAL MINI I/O RECEPTACLE 1.27mm PITCH		
SIZE	CAGE CODE	DRAWING NO	
A3	-	©-1971885	
SCALE	SHEET	OF	REV
4:1	2	3	A1

THIS DRAWING IS UNPUBLISHED. RELEASED FOR PUBLICATION  
 © COPYRIGHT - BY - ALL RIGHTS RESERVED.

LOC	DIST	REVISIONS			
P	LTR	DESCRIPTION	DATE	DWN	APVD
-	-	SEE SHEET 1	-	-	-



SEE DATA C

NOTE:  
 5 PACKAGE:  
 80PCS PER TRAY FOR 1-1971885-1 & 1-1971885-2

THIS DRAWING IS A CONTROLLED DOCUMENT.	
DIMENSIONS: mm	TOLERANCES UNLESS OTHERWISE SPECIFIED:
	0 PLC ± -
	1 PLC ± -
	2 PLC ± -
	3 PLC ± -
	4 PLC ± -
MATERIAL -	FINISH -

DWN	SEE SHEET 1
CHK	SEE SHEET 1
APVD	SEE SHEET 1
PRODUCT SPEC	SEE SHEET 1
APPLICATION SPEC	-
WEIGHT	-
Customer Drawing	

PACKAGE AS SHOWN	1-1971885-2 1-1971885-1
DESCRIPTION	PART NO

		TE Connectivity	
NAME SMT VERTICAL MINI I/O RECEPTACLE 1.27mm PITCH			
SIZE	CAGE CODE	DRAWING NO	RESTRICTED TO
A3	-	©-1971885	-
SCALE -		SHEET 3 OF 3	REV A1

## X-ON Electronics

Largest Supplier of Electrical and Electronic Components

*Click to view similar products for [Modular Connectors / Ethernet Connectors](#) category:*

*Click to view products by [TE Connectivity](#) manufacturer:*

Other Similar products are found below :

[RJE231881317T](#) [MP1010RX-1000](#) [MP44RX-1000](#) [GAX-3-66](#) [GAX-8-62](#) [93606-0253](#) [GD-A-44](#) [GDCX-PA-66-50](#) [GDCX-PN-64](#) [GDCX-PN-66](#) [GDCX-PN-66-50](#) [GDLX-A-66](#) [GDLX-A-88](#) [GDLX-N-66](#) [GDLX-S-88K](#) [GDTX-S-88-50](#) [GDX-PA-1010](#) [GLX-N-1010M-BLK](#) [GLX-N-44M](#) [GLX-S-88M-BLK](#) [GMX-N-1010](#) [GMX-S-1010](#) [GMX-S-66](#) [GMX-SMT2-N-1010](#) [GMX-SMT2-N-64-50](#) [GMX-SMT2-S6-88](#) [GMX-SMT4-N-88](#) [GPX-2-64](#) [GRT1-BT1-5](#) [GSGX-N-2-88](#) [GSX-NS2-88-3.05](#) [GSX-NS2-88-3.05-50](#) [GSX-NS-88-3.05-30](#) [GSX-NS-88-3.05-50](#) [GSX-NS-88-3.68](#) [1-1775629-2](#) [GWLX-S-88-GR](#) [GWLX-S9-88-YG](#) [1300500326](#) [1300500227](#) [1300530003](#) [1300570002](#) [1324640-4](#) [RJ11FTVC2G](#) [RJ11FTVC2N](#) [RJFTVX2SA1G](#) [132764-001](#) [1400000](#) [1413176](#) [1413235](#)