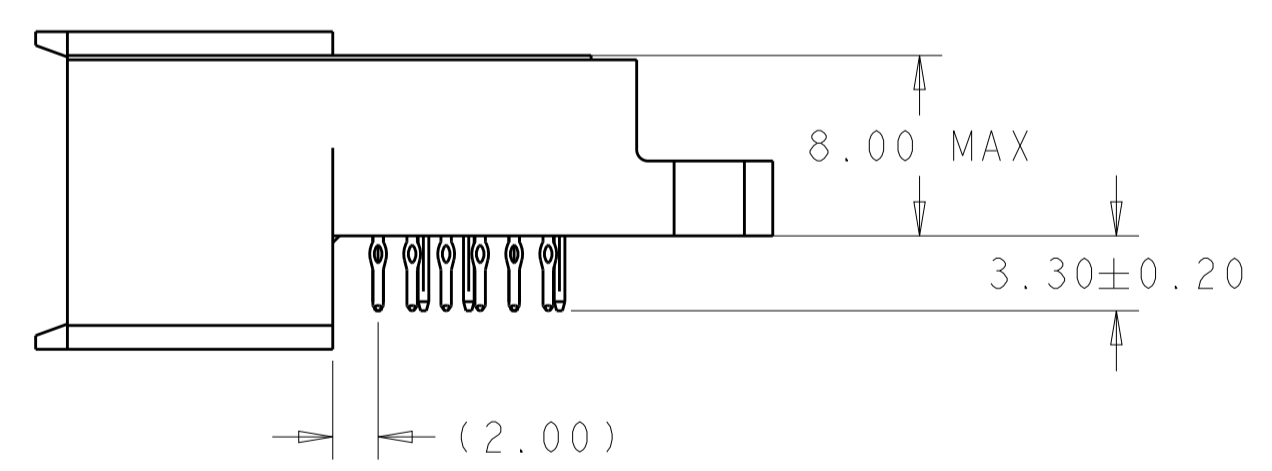
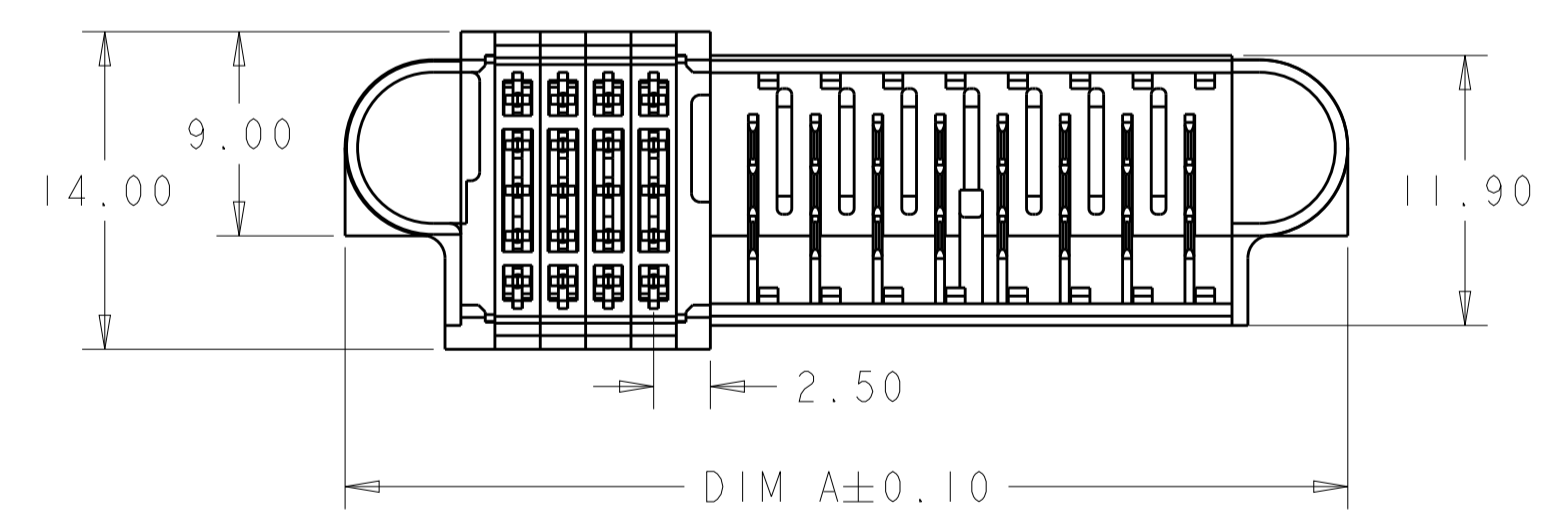
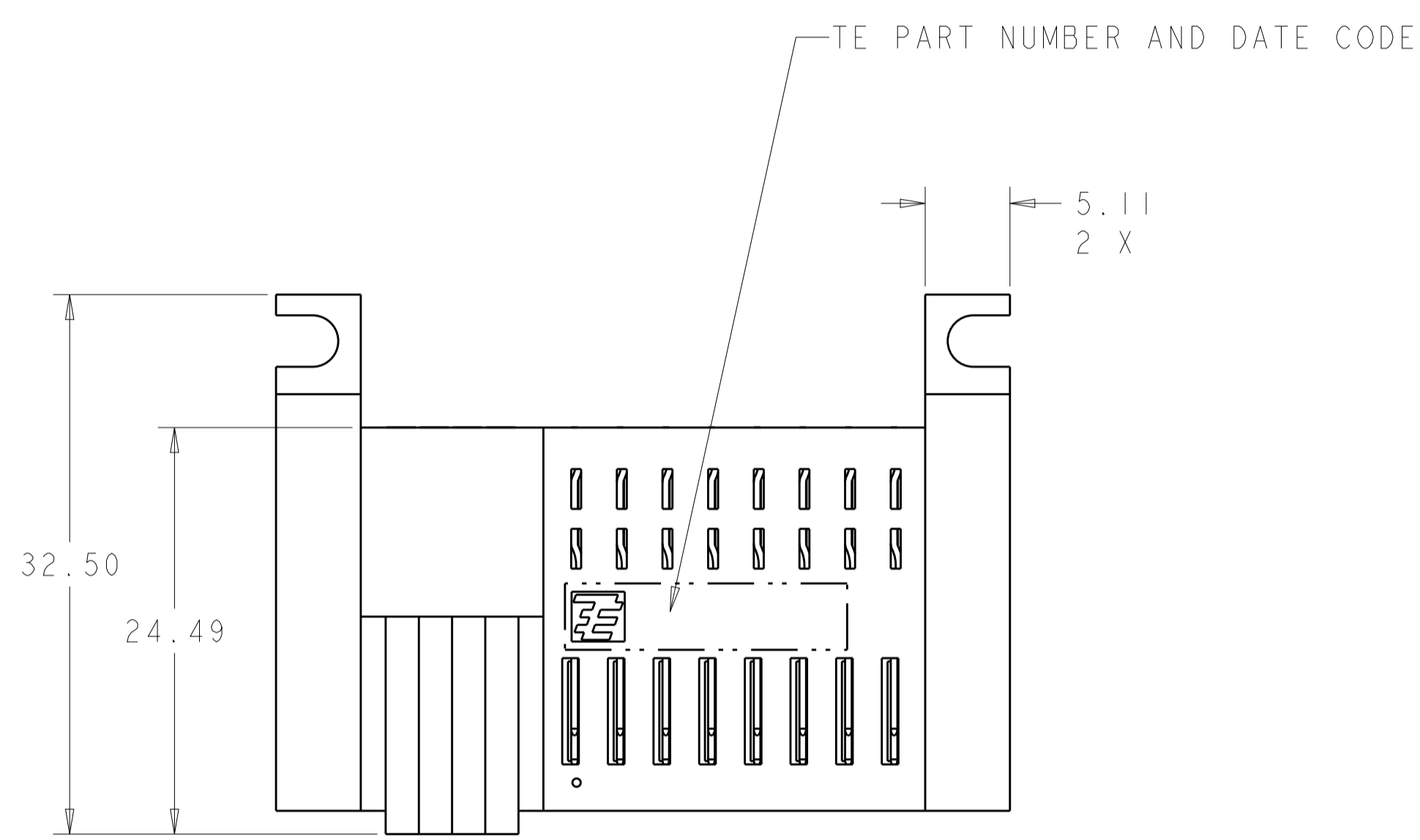


LOC	DIST	REVISIONS					
		P	LTN	DESCRIPTION	DATE	DWN	APVD
AA	00	1		PROPOSAL DRAWING	27OCT2011	OL	SZ
		2		REV PER ECR-12-018079	19OCT2012	OL	SZ
		3		ADD NEW PART	09AUG2013	OL	SZ



- HOUSING: GLASS FILLED LIQUID CRYSTAL POLYMER, COLOR: BLACK, UL 94 V-O RATED
 SIGNAL CONTACT: PHOSPHOR BRONZE
 SIGNAL OVERMOLD: GLASS FILLED POLYESTER
 POWER CONTACT: COPPER ALLOY
 - SIGNAL CONTACT: 0.00127mm MIN NICKEL ALL OVER,
 MATING AREA: 0.00076mm MIN GOLD OR
 0.00008mm MIN GOLD OVER 0.00076mm MIN PALLADIUM-NICKEL
 TAIL AREA: 0.0005mm MIN MATTE TIN

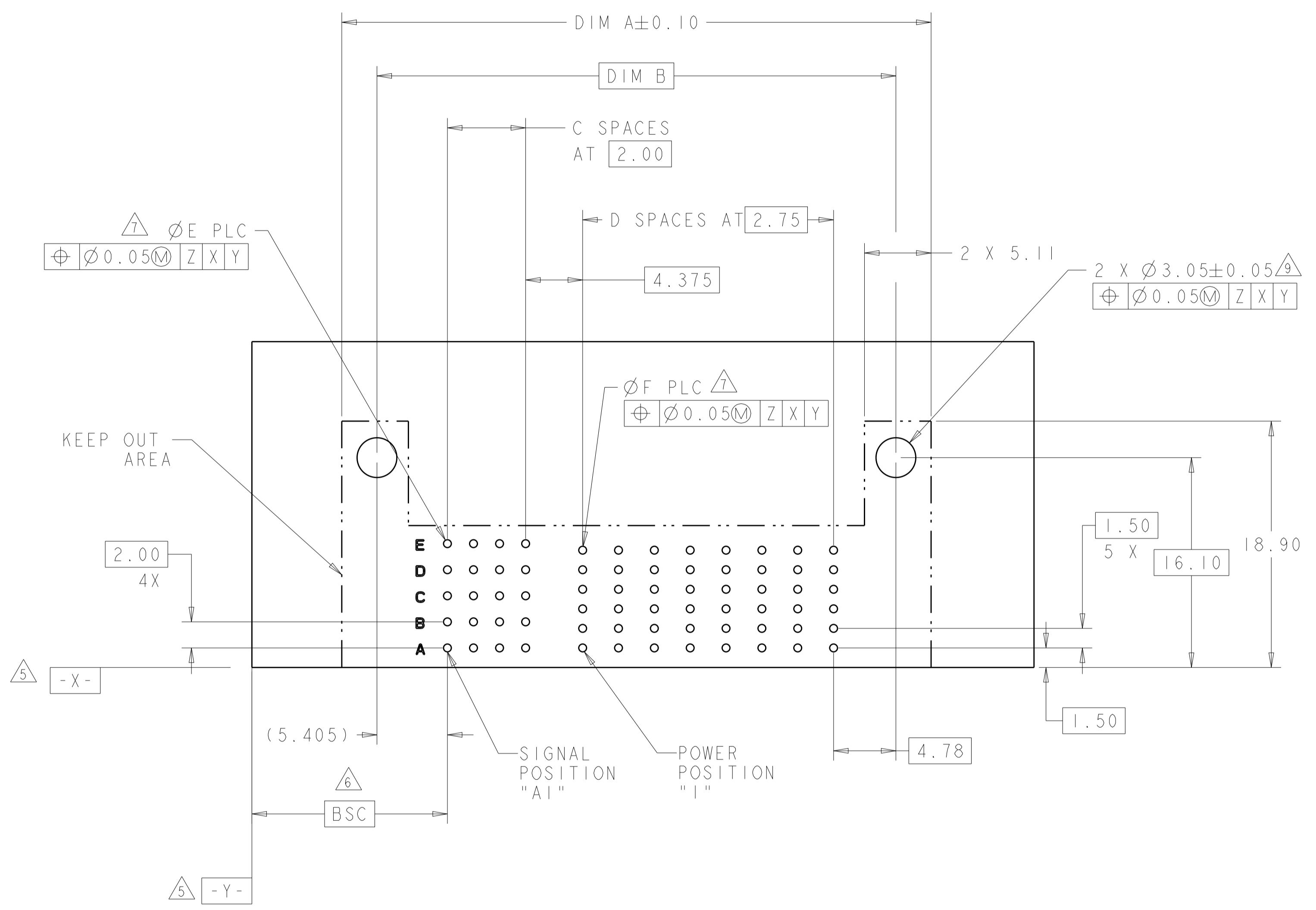
 POWER CONTACT: 0.00127mm MIN NICKEL ALL OVER,
 MATING AREA: 0.00076mm MIN GOLD OR
 0.00008mm MIN GOLD OVER 0.00076mm MIN PALLADIUM-NICKEL
 TAIL AREA: 0.0005mm MIN MATTE TIN
 - CONTACT MATING AREA LUBRICATED WITH BELLCORE APPROVED LUBRICANT,
 TECHNICAL REFERENCE: GR-1217-CORE, ISSUE 1, NOVEMBER 1995.
 - THIS CONNECTOR EMPLOYS UL RECOGNIZED Z-PACK 2mm HM SIGNAL CONTACTS
- △ DATUMS AND BASIC DIMENSIONS TO BE ESTABLISHED BY CUSTOMER.
- △ PC BOARD THICKNESS 1.4mm MIN, FOR WAVE SOLDER PC BOARD THICKNESS 2.62 MAX
- △ SEE APPLICATION NOTE 114-13215 FOR PLATED THROUGH HOLE INFORMATION
8. SEE CUSTOMER DRAWING 1926845 FOR MATING CONNECTOR
- △ UNPLATED HOLES
- △ #4-40 UNC PAN HEAD SCREW WITH HEX NUT NOT SHOWN. PAN HEAD SCREW SUPPLIED BY CUSTOMER

1-1892786-1 SHOWN

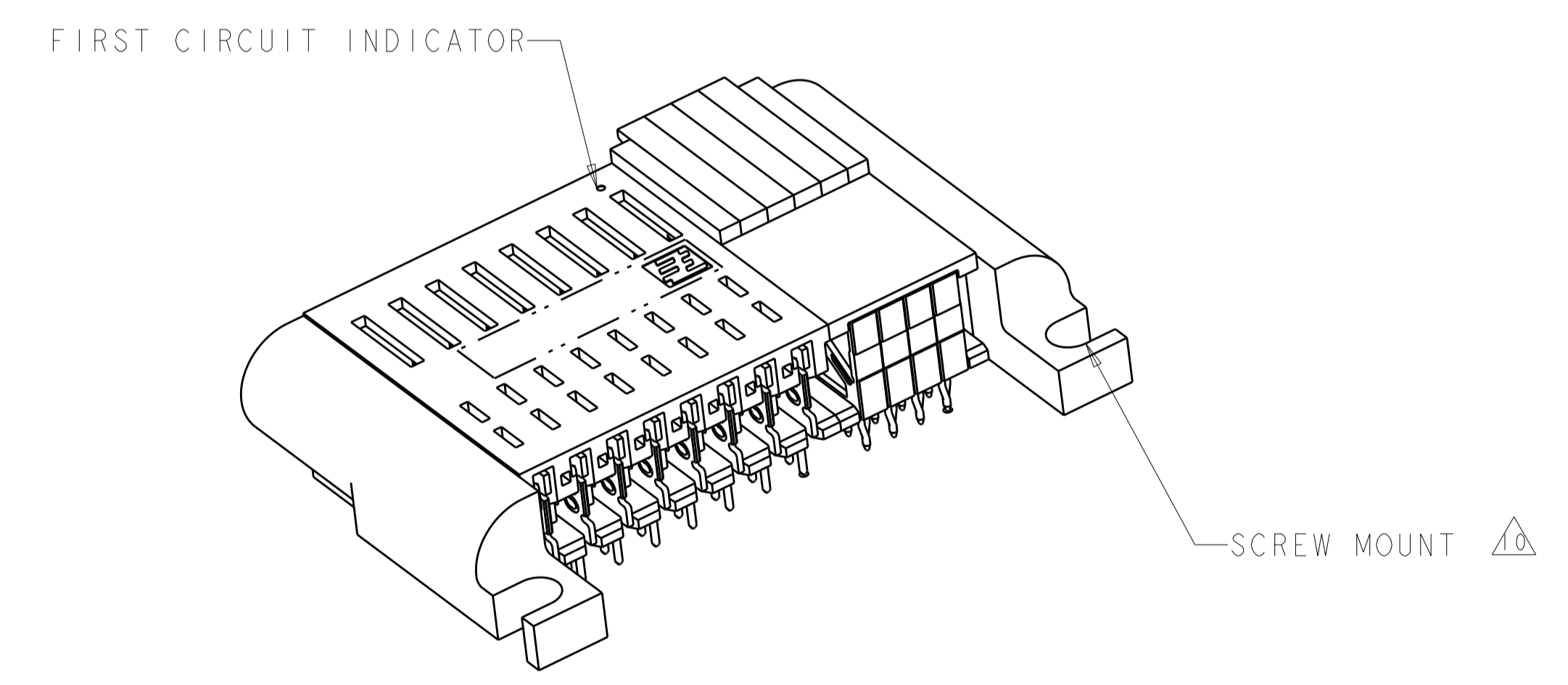
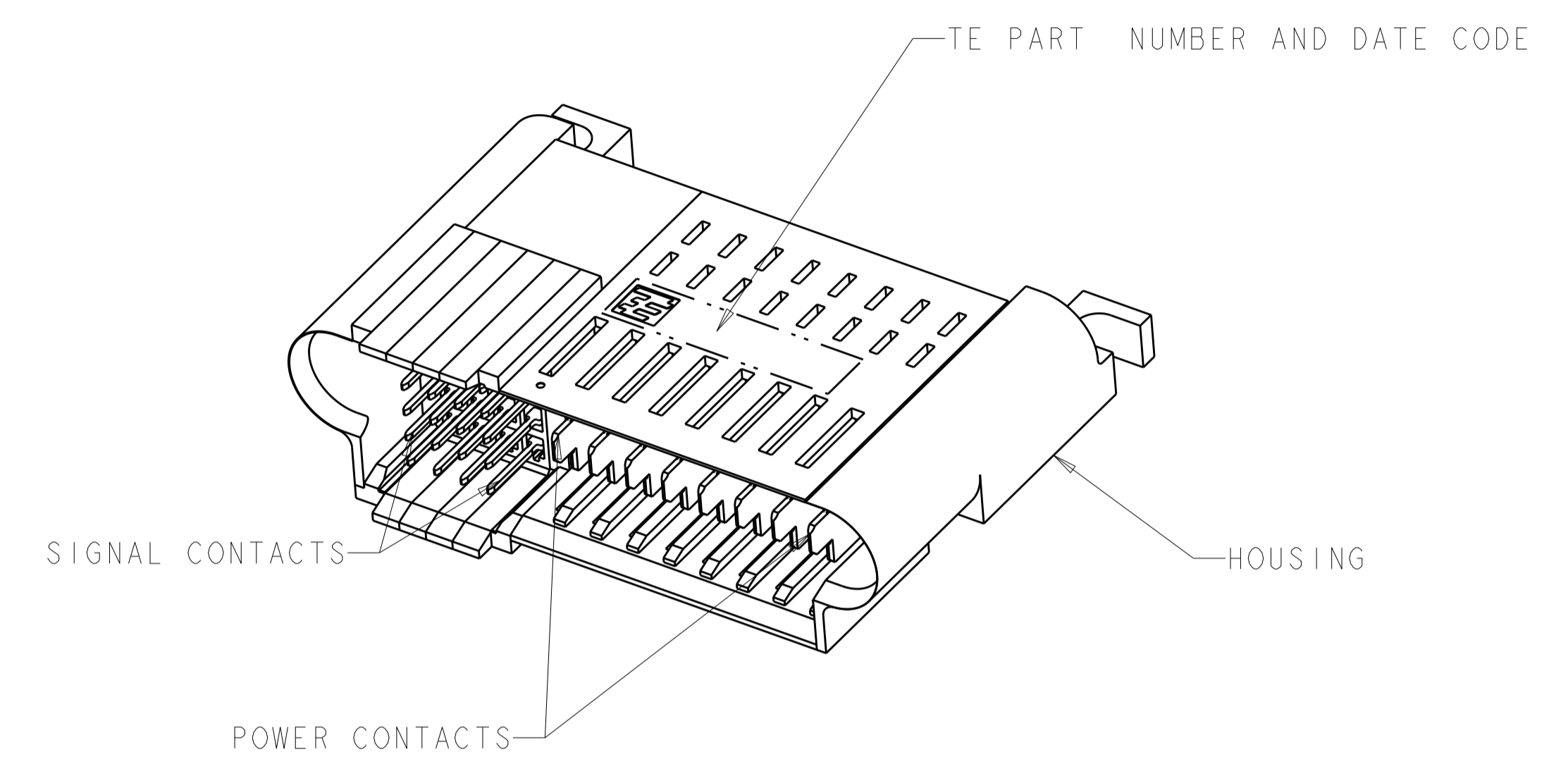
144	40	23	7	91.81	96.21	40S X 24P	7-1892786-7
96	25	15	4	63.81	68.21	25S X 16P	4-1892786-6
60	25	9	4	47.31	51.71	25S X 10P	2-1892786-5
48	25	7	4	41.81	46.21	25S X 8P	1-1892786-8
48	20	7	3	39.81	44.21	20S X 8P	1-1892786-1
72	25	11	4	52.81	57.21	25S X 12P	1892786-9
24	20	3	3	28.81	33.21	20S X 4P	1892786-4
F PLACES	E PLACES	D SPACES	C SPACES	DIM B	DIM A	NO OF POSITIONS	PART NUMBER

DIMENSIONS: mm TOLERANCES UNLESS OTHERWISE SPECIFIED: 0 PLC ± 1 PLC ±0.13 2 PLC ± 3 PLC ± 4 PLC ± ANGLES ±°		DIMENSIONS: mm TOLERANCES UNLESS OTHERWISE SPECIFIED: 0 PLC ± 1 PLC ±0.13 2 PLC ± 3 PLC ± 4 PLC ± ANGLES ±°		DWN: ORANDO LI 27OCT2011 CHK: SUNY ZHAO 27OCT2011 APVD: SUNY ZHAO 27OCT2011 NAME: SUNY ZHAO PRODUCT SPEC: 108-2325 APPLICATION SPEC: 114-13215 WEIGHT: - Customer Drawing		Tyco Electronics Shanghai, PR 200233 NAME: PLUG ASSEMBLY, RIGHT ANGLE, PASSIVE GUIDE, SIGNAL/POWER, WITH SCREW MOUNT, MINIPAK HDL SIZE: A CAGE CODE: 100779 DRAWING NO: 1892786 SCALE: 3:1 SHEET 1 OF 2 REV 3	
--	--	--	--	--	--	---	--

LOC		DIST		REVISIONS			
AA	00	P	LTM	DESCRIPTION	DATE	OWN	APVD
		-		SEE SHEET 1			



1-1892786-1 SHOWN
RECOMMENDED PRINTED CIRCUIT BOARD LAYOUT
 (AS VIEWED FROM COMPONENT SIDE)



1-1892786-1 SHOWN

DIMENSIONS:		TOLERANCES UNLESS OTHERWISE SPECIFIED:		DWN: ORANDO LI 27OCT2011		Tyco Electronics Shanghai, PR 200233	
mm	0 PLC ±	1 PLC ±	2 PLC ±0.13	3 PLC ±	4 PLC ±	5 PLC ±	ANGLES ±
	FINISH SEE NOTE 2	MATERIAL SEE NOTE 1		CHK: SUNY ZHAO 27OCT2011	APVD: SUNY ZHAO 27OCT2011	NAME: PLUG ASSEMBLY, RIGHT ANGLE, PASSIVE GUIDE, SIGNAL/POWER, WITH SCREW MOUNT, MINIPAK HDL	RESTRICTED TO
				PRODUCT SPEC: 108-2325	APPLICATION SPEC: 114-13215	SIZE: A	CAGE CODE: 00779
				WEIGHT: -	DRAWING NO: 1892786	SCALE: 3:1	SHEET 2 OF 2
				Customer Drawing		REV: 3	

X-ON Electronics

Largest Supplier of Electrical and Electronic Components

Click to view similar products for [Heavy Duty Power Connectors](#) category:

Click to view products by [TE Connectivity](#) manufacturer:

Other Similar products are found below :

[1424439](#) [1424438](#) [09330062652](#) [2-8675P1](#) [605601-1](#) [6340G1](#) [6341G1](#) [6360G1](#) [6373G1](#) [6374g2](#) [6396G1](#) [647757-1](#) [66394-4](#) [6643411-1](#)
[6646058-2](#) [6646137-1](#) [6646138-1](#) [6646348-1](#) [6646479-1](#) [6646608-1](#) [6646786-1](#) [6646940-1](#) [6651091-1](#) [6651525-1](#) [6651529-1](#) [6651778-1](#)
[6651788-1](#) [696465-1](#) [696475-1](#) [73000005059](#) [73000005349](#) [73000005642](#) [73080255059](#) [73080965046](#) [765-15-0080A](#) [765-16-0080B](#)
[789.700-44](#) [789.700-54](#) [80-1010](#) [80-9](#) [827381-1](#) [829992-1](#) [902-77-02113](#) [PL00U-301-10D10](#) [PM103MOOLOO](#) [PM16S1620S32-50](#)
[PM212MOOLOO](#) [PM309FOOLOO](#) [PM324FOOLCH](#) [PMHPAF11S03](#)