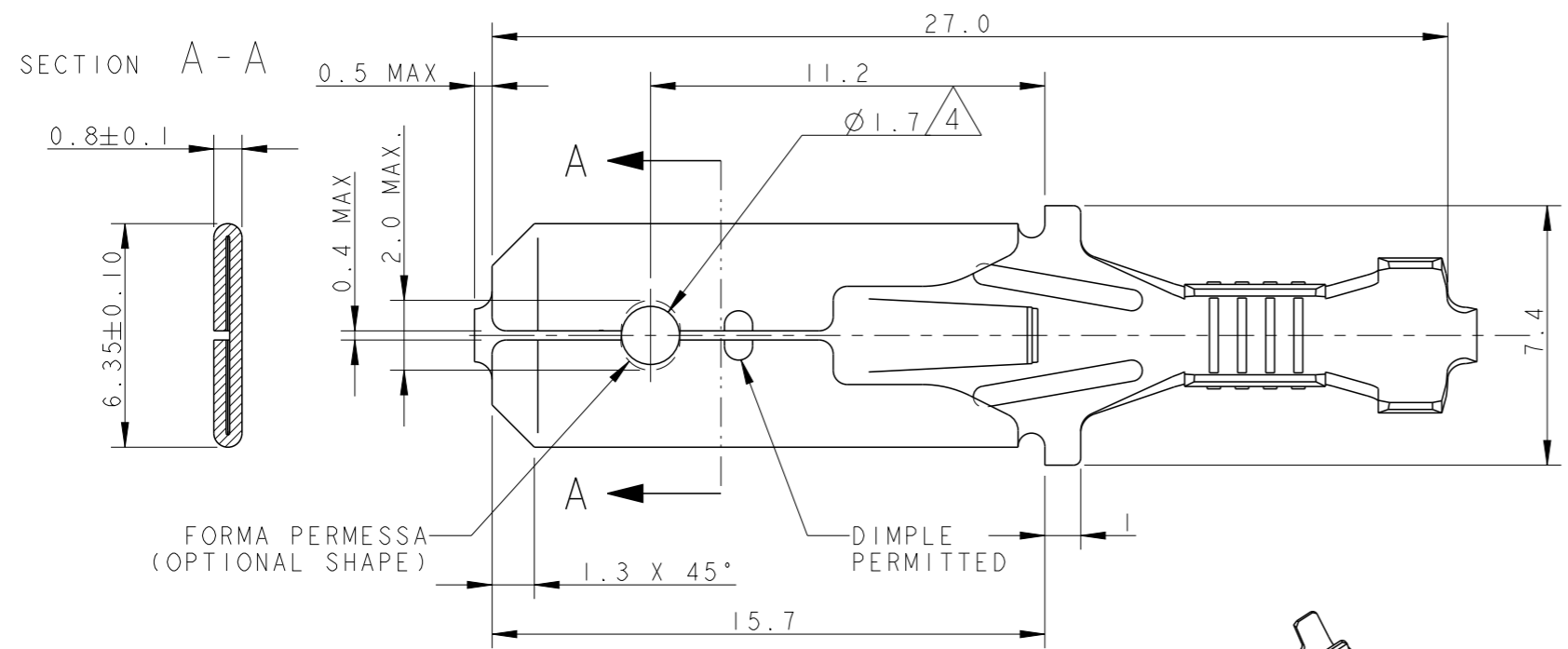
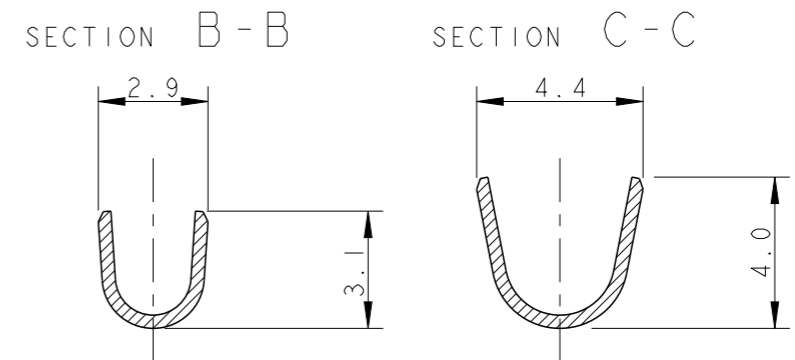
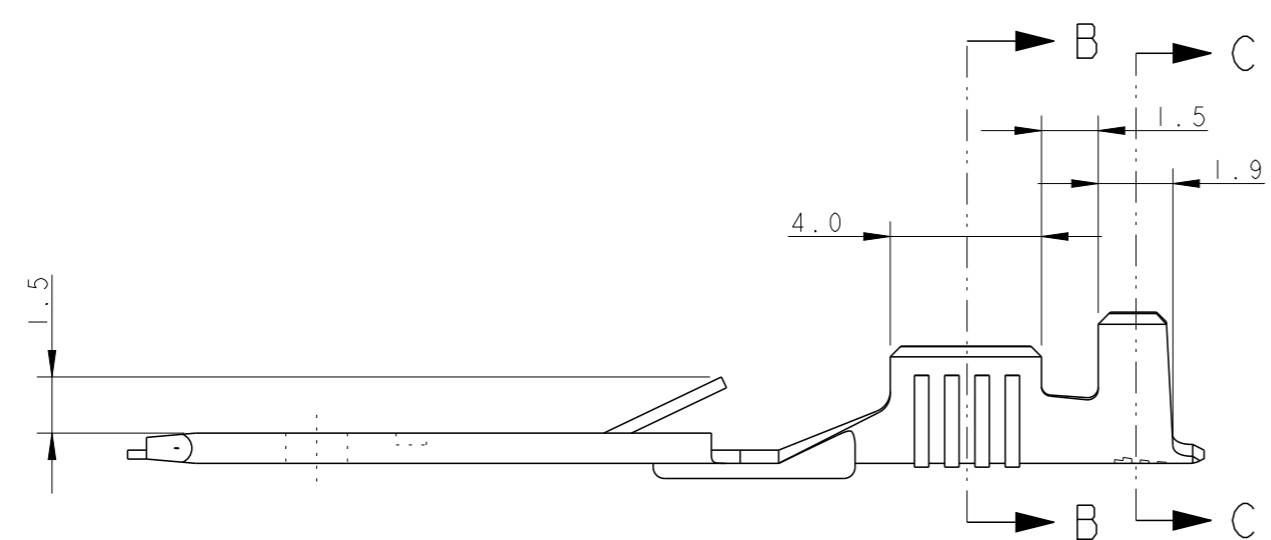
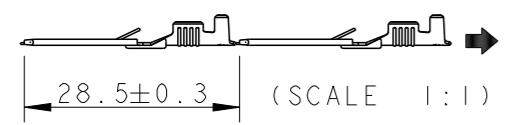


THIS DRAWING IS UNPUBLISHED. RELEASED FOR PUBLICATION 2004  
 © COPYRIGHT 2004 ALL RIGHTS RESERVED.

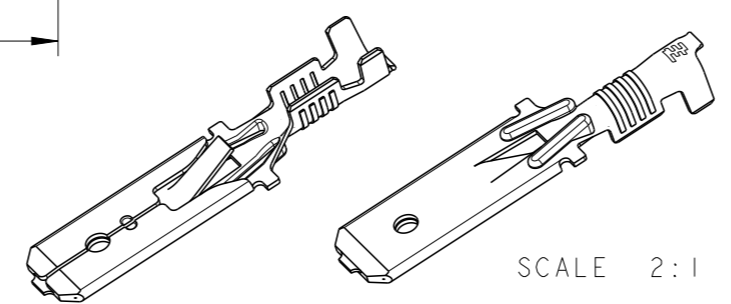
LOC	DIST	REVISIONS					
		P	LTR	DESCRIPTION	DATE	DWN	APVD
1	-	B3		REVISED PER ECO-11-005301	28MAR2011	RK	HMR
		B4		NEW PNs WITHOUT INTERLEAVE ADDED	20MAY2013	PKS	RRP
		C		PLATING INFO CORRECTED FOR 3- -2	17JUN2013	PKS	RRP



1) STATO DI FORNITURA (SUPPLY CONDITION, Scala 1:1)



SENSO DI USCITA DEL TERMINALE DALLA BOBINA (DIRECTION OFF TOP OF REEL)



- 2) BOBINATO SU BOBINA 12" CON CARTA INTERPOSTA (REELED ON 12" CARTON TYPE REEL WITH INTERLEAVE PAPER STRIP)
- 3) SPLICING STRIP PRODUCT BY SPOT WELDING PERMITTED

- 4 VERSIONI CON FORO (VERSION WITH HOLE)
- 5 REELED WITHOUT INTERLEAVE PAPER

	PRE-STAGNATO (PRE-TINNED)	OTTONE (BRASS)	3-293041-2
	NUDO (PLAIN)	OTTONE (BRASS)	3-293041-1
	PRE-STAGNATO (PRE-TINNED)	OTTONE (BRASS)	2-293041-2
	NUDO (PLAIN)	OTTONE (BRASS)	2-293041-1
	PRE-STAGNATO (PRE-TINNED)	OTTONE (BRASS)	1-293041-2
	NUDO (PLAIN)	OTTONE (BRASS)	1-293041-1
	PRE-STAGNATO (PRE-TINNED)	OTTONE (BRASS)	0-293041-2
	NUDO (PLAIN)	OTTONE (BRASS)	0-293041-1
NOTE (NOTES)	VERSIONI (VERSIONS)	FINITURA (FINISH)	MATERIALE (MATERIAL)
			NUMERO (TE P/N)

THIS DRAWING IS A CONTROLLED DOCUMENT.

DIMENSIONS:	TOLERANCES UNLESS OTHERWISE SPECIFIED:
mm	
	0 PLC ±-
	1 PLC ±0.3
	2 PLC ±-
	3 PLC ±-
	4 PLC ±-
	ANGLES ±2°
	FINISH SEE TABLE
MATERIAL	SEE TABLE

DIAM. ISOLANTE (INS. DIA. RANGE) Ø2.3 mm MAX  
 RANGO FILO (WIRE RANGE) 0.35-1.00 mm<sup>2</sup>

DWN	04 JUL 2005
H. Yaali	
CHK	-
G. Turco	
APVD	-
PRODUCT SPEC	108-20020
APPLICATION SPEC	114-20119
WEIGHT	-
Customer Drawing	

**STE** TE Connectivity

FASTIN-FASTON Connector,  
6.3 mm SR. TAB CONTACT

SIZE	CAGE CODE	DRAWING NO	RESTRICTED TO
A3	00779	C-293041	-

SCALE 5:1 SHEET 1 OF 1 REV C

## X-ON Electronics

Largest Supplier of Electrical and Electronic Components

*Click to view similar products for [Terminals](#) category:*

*Click to view products by [TE Connectivity](#) manufacturer:*

Other Similar products are found below :

[HT-13-10](#) [71M-250-32-NB](#) [01-2065-1-0216](#) [00581P0075](#) [M10-10RX](#) [M10BCK](#) [60205-1](#) [604200-1](#) [60598-1-CUT-TAPE](#) [60617-1-C](#) [60873-1](#) [M14-516R/SK](#) [M14-6RSX](#) [M18-10FLX](#) [M18-8FBX](#) [M18-8R/LX](#) [M18BCK](#) [61314-6-C](#) [61-S](#) [61-SN-A](#) [62-NBM-A](#) [63-S](#) [640179-1](#) [640917-2-CUT-TAPE](#) [6501550002](#) [66107-2-C](#) [696683-1](#) [696834-1](#) [696861-1](#) [696931-1](#) [696999-1](#) [M8-516RK](#) [M86700006](#) [MA250DMFMX-A](#) [701-2007](#) [701-2307](#) [701-7761-03](#) [70F-110-32-PB](#) [718-N-A](#) [71M-187-20-NBL](#) [71M-250-32-NBL](#) [72F-187-20-NBL](#) [72M-250-32-NBL](#) [7310](#) [73F-250-32](#) [73F-250-32-NBL](#) [73F-250-32-NL](#) [F14-10C](#) [F-1M](#) [751-250](#)