

THIS DRAWING IS UNPUBLISHED.

RELEASED FOR PUBLICATION

20

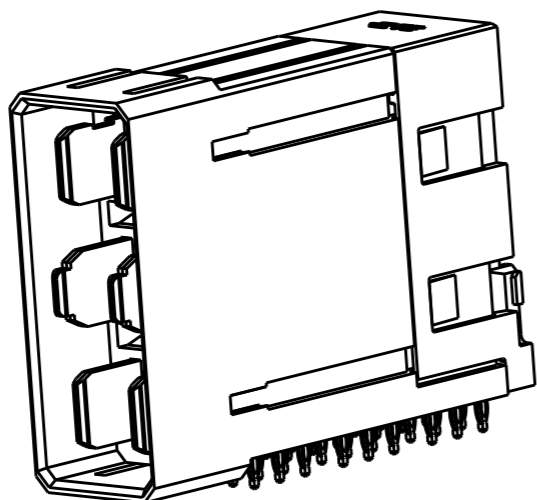
© COPYRIGHT 20 TE CONNECTIVITY

ALL RIGHTS RESERVED.

LOC GP DIST 00

REVISIONS

P	LTR	DESCRIPTION	DATE	DWN	APVD
	1	DRAFT	30AUG2012	LW	SY



NOTES:

1. MATERIALS:  
 HOUSING: HIGH TEMP. THERMOPLASTIC GLASS/MINERAL FILLED UL94V-0  
 TERMINAL: COPPER ALLOY

2. FINISH:  
 TIN OPTION-0.76um MIN GOLD AT CONTACT AREA AND  
 1.27um MIN NICKEL UNDERPLATED OVER ALL  
 2.54um TIN AT SOLDER TAIL AREA  
 TIN-LEAD OPTION-0.76um MIN GOLD AT CONTACT AREA AND  
 1.27um MIN NICKEL UNDERPLATED OVER ALL  
 2.54um TIN-LEAD AT SOLDER TAIL AREA

3. REFER TO TE'S PRODUCT SPECIFICATION: 108-2473  
 FOR PLATED THROUGH-HOLE SPECIFICATION AND TORQUE FORCE

4. CONNECTOR WERE PACKED BY TRAY  
 REFER TO TE'S PACKAGING SPECIFICATION: 107-\*\*\*

5. MATED WITH \*-2169862-\*

6. LASER MARK PART NUMBER AND DATE CODE (YYWWDS)  
 CAN BE AT THE OPPOSITE SIDE

7. KEEP OUT ZONE FROM OTHER COMPONENT

PACKAGING	PLATING TYP	P3	P2	P1	PART NUMBER
TRAY	NIT	6.90	6.90	5.70	2169872-8
		5.70	5.70	6.90	2169872-7
		6.90	5.70	5.70	2169872-6
		6.90	6.90	6.90	2169872-5
		6.90	6.90	5.70	2169872-4
		5.70	5.70	6.90	2169872-3
		6.90	5.70	5.70	2169872-2
		6.90	6.90	6.90	2169872-1

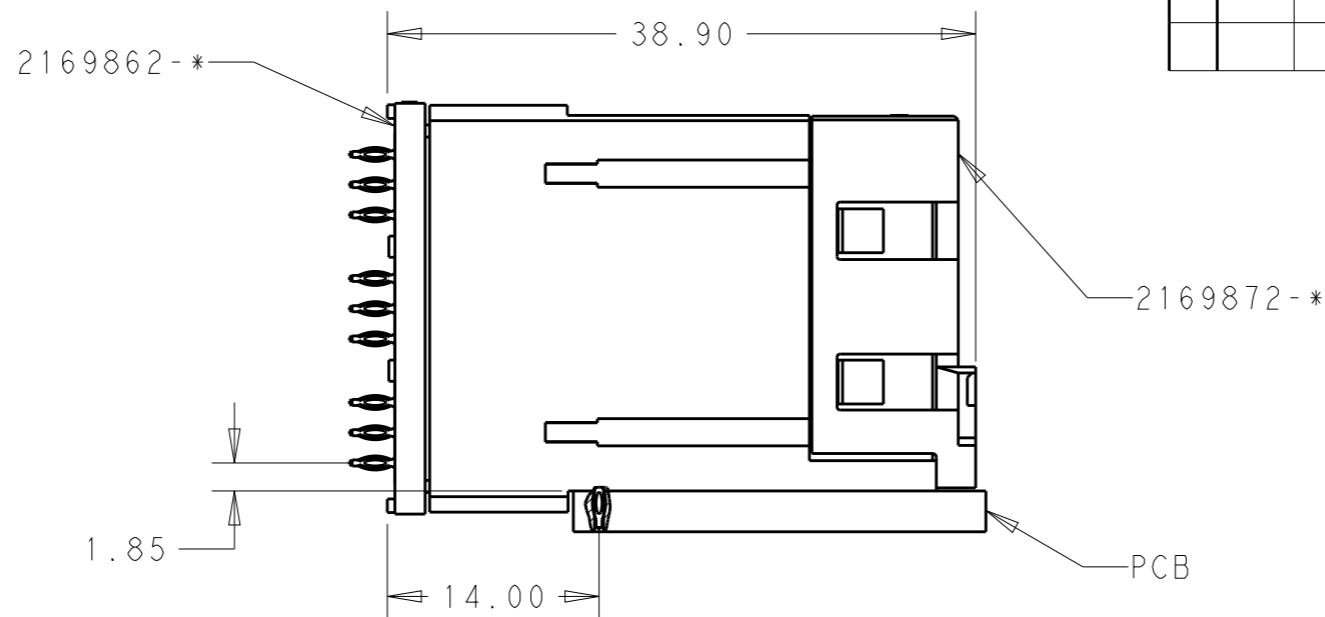
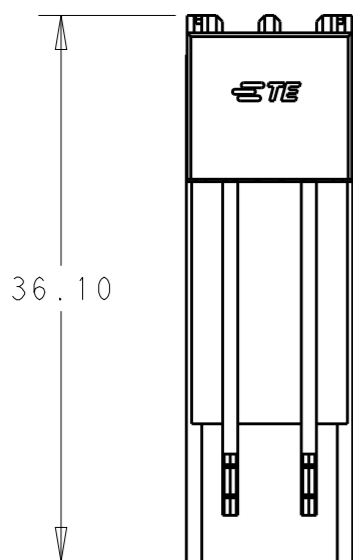
THIS PRINT IS  
**PRELIMINARY**  
 UNQUALIFIED PRODUCT  
 CONTACT PRODUCT ENGINEERING  
 BEFORE USING THIS PRINT

THIS DRAWING IS A CONTROLLED DOCUMENT.

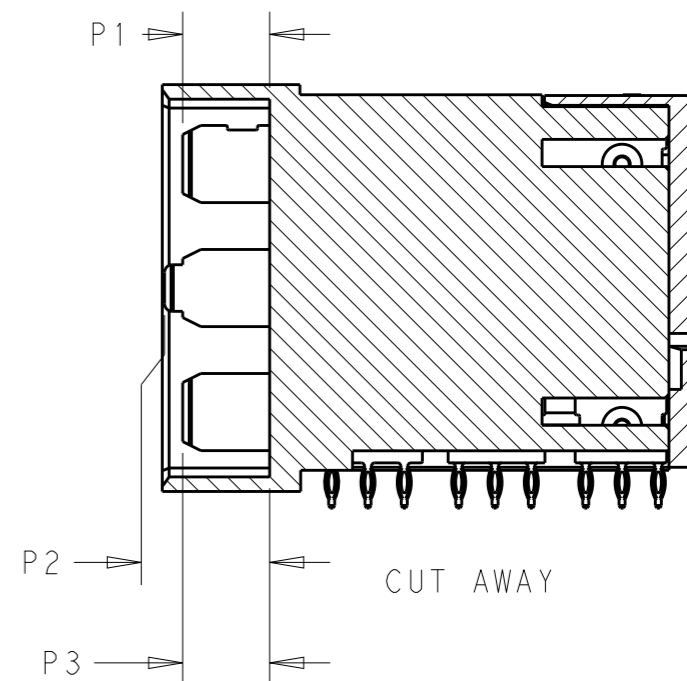
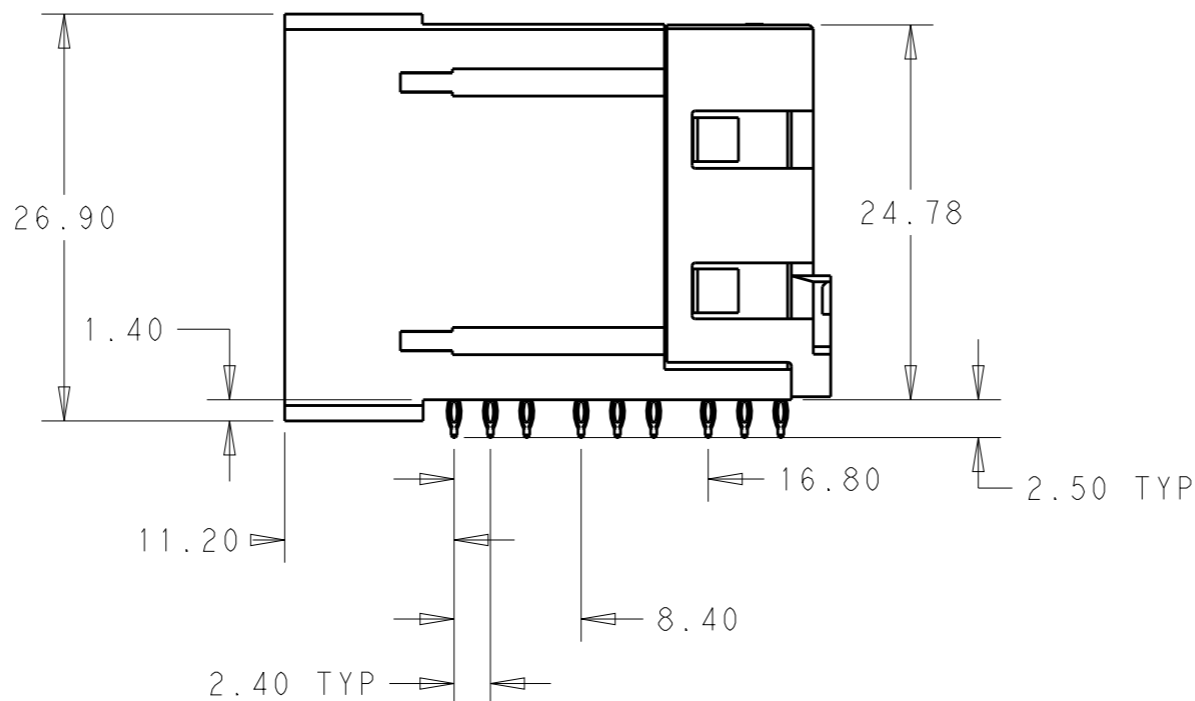
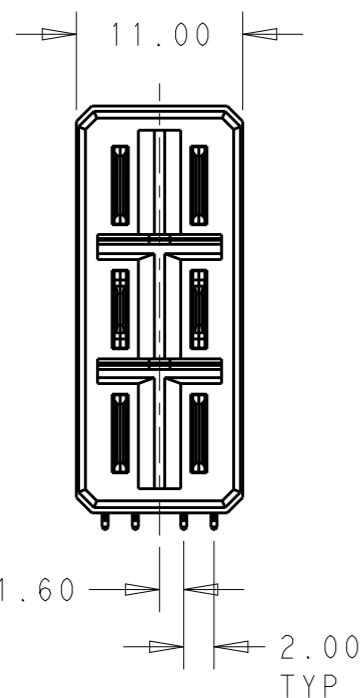
DIMENSIONS: mm	TOLERANCES UNLESS OTHERWISE SPECIFIED: 0 PLC ±-- 1 PLC ±-- 2 PLC ±0.25 3 PLC ±-- 4 PLC ±-- ANGLES ±3°	DWN 30AUG2012 L. WANG CHK 30AUG2012 S. YAN APVD 30AUG2012 A. CAI	<p>TE Connectivity</p> <p><b>PRELIMINARY</b></p> <p>IMPACT POWER 6 PAIR        RIGHT ANGLE HEADER        PRESS-FIT</p>
MATERIAL 1	FINISH 2	PRODUCT SPEC 108-2473 APPLICATION SPEC 114-32028 WEIGHT - Customer Drawing	


THIS DRAWING IS UNPUBLISHED. RELEASED FOR PUBLICATION 20  
 © COPYRIGHT 20 TE CONNECTIVITY ALL RIGHTS RESERVED.

LOC	DIST	REVISIONS			
P	LTR	DESCRIPTION	DATE	DWN	APVD
GP	00	-	SEE SHEET 1	-	-



MATED SYSTEM WITH 2169872



THIS DRAWING IS A CONTROLLED DOCUMENT.		DWN L. WANG 30AUG2012	 TE Connectivity	
DIMENSIONS: mm		CHK S. YAN 30AUG2012		
TOLERANCES UNLESS OTHERWISE SPECIFIED:		APVD A. CAI 30AUG2012	NAME IMPACT POWER 6 PAIR RIGHT ANGLE HEADER PRESS-FIT	
0 PLC ±--		PRODUCT SPEC 108-2473	SIZE A3	
1 PLC ±--		APPLICATION SPEC 114-32028	CAGE CODE 00779	DRAWING NO C-2169872
2 PLC ±0.25		WEIGHT -	RESTRICTED TO -	
3 PLC ±--		Customer Drawing		
4 PLC ±--		SCALE 1:1		
ANGLES ±3°		SHEET 2 OF 3		
FINISH		REV 1		

THIS DRAWING IS UNPUBLISHED.

RELEASED FOR PUBLICATION

20

© COPYRIGHT 20

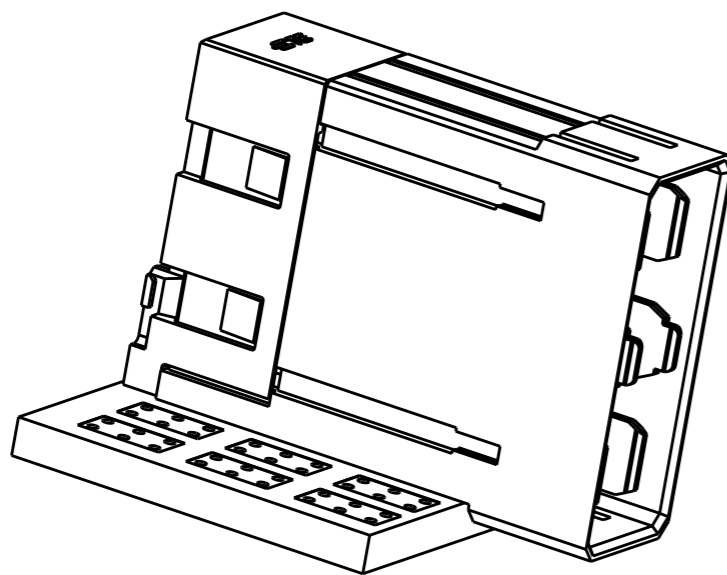
TE CONNECTIVITY

ALL RIGHTS RESERVED.

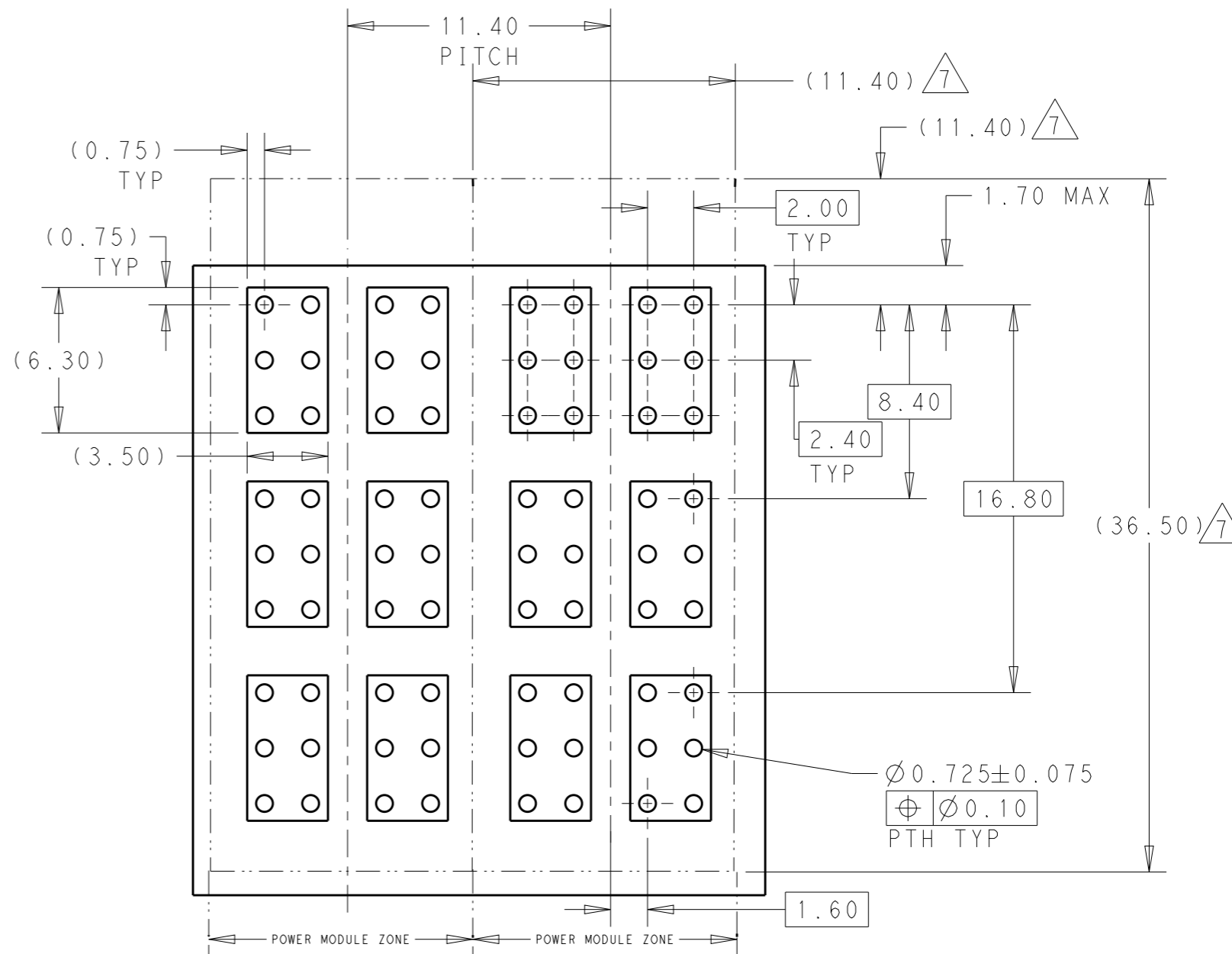
LOC GP DIST 00

REVISIONS


P	LTR	DESCRIPTION	DATE	DWN	APVD
-	-	SEE SHEET 1	-	-	-



CONNECTOR WITH PCB



RECOMMENDED PCB LAYOUT  
(COMPONENT SIDE SHOWN)  
MINIMUM BOARD THICKNESS: 1.60MM

THIS DRAWING IS A CONTROLLED DOCUMENT.		DWN L. WANG 30AUG2012	 TE Connectivity		
DIMENSIONS: mm		CHK S. YAN 30AUG2012			
TOLERANCES UNLESS OTHERWISE SPECIFIED:		APVD A. CAI 30AUG2012	NAME		
0 PLC ±-- 1 PLC ±-- 2 PLC ±0.25 3 PLC ±-- 4 PLC ±-- ANGLES ±3°		PRODUCT SPEC 108-2473	IMPACT POWER 6 PAIR RIGHT ANGLE HEADER PRESS-FIT		
MATERIAL		APPLICATION SPEC 114-32028	SIZE A3	CAGE CODE 00779	DRAWING NO C-2169872
FINISH		WEIGHT -	RESTRICTED TO -		
		Customer Drawing	SCALE 1:1	SHEET 3 OF 3	REV 1

## X-ON Electronics

Largest Supplier of Electrical and Electronic Components

*Click to view similar products for [High Speed/Modular Connectors](#) category:*

*Click to view products by [TE Connectivity](#) manufacturer:*

Other Similar products are found below :

[2332816-1](#) [89006-1137LF](#) [650827-1](#) [65762-001LF](#) [73474-201LF](#) [74040-1346](#) [74075-0267](#) [1410191-1](#) [1410337-1](#) [1410368-3](#) [1410964-2](#)  
[1410367-3](#) [1410971-4](#) [1467833-1](#) [2000877-1](#) [2000878-1](#) [2041314-1](#) [2065387-1](#) [2187307-1](#) [2187462-1](#) [2226278-6](#) [KA81-07](#) [91290-101LF](#)  
[163P](#) [1934290-1](#) [2000875-1](#) [2065917-1](#) [2102736-2](#) [FSR-40](#) [2169868-2](#) [2226279-2](#) [22354-8](#) [437-5040-000](#) [5-1393565-0](#) [532449-3](#) [532803-](#)  
[2](#) [34745-0001](#) [0736440217](#) [1-1393708-5](#) [72388-0021LF](#) [73774-1000](#) [532939-1](#) [5-531355-3](#) [5532901-3](#) [85838-180LF](#)  
[HM1S43TRR460H6PLF](#) [0760205010](#) [1-966831-4](#) [3-1469268-7](#) [77427-121LF](#)